



US00D381205S

United States Patent [19] Conti

[11] Patent Number: **Des. 381,205**
[45] Date of Patent: ****Jul. 22, 1997**

[54] TOTE BIN

[75] Inventor: **Rino Conti**, Stoughton, Mass.

[73] Assignee: **Holiday Housewares, Inc.**, Leominster, Mass.

[**] Term: **14 Years**

[21] Appl. No.: **46,211**

[22] Filed: **Nov. 9, 1995**

[51] LOC (6) Cl. **03-01**

[52] U.S. Cl. **D3/312**

[58] Field of Search D3/304, 307-314;
D9/414, 424, 425, 430-432; 206/503-507,
509, 514, 517, 518; 220/674, 675, 752,
890, 4.26, DIG. 12, DIG. 14

[56] References Cited

U.S. PATENT DOCUMENTS

- D. 211,682 7/1968 Eicholtz .
- D. 238,051 12/1975 Fier .
- D. 238,148 12/1975 Dilot .
- D. 251,480 4/1979 Cherry .
- D. 259,763 7/1981 Dickinson .
- D. 260,229 8/1981 Maza .
- D. 264,539 5/1982 Pomroy .
- D. 270,418 9/1983 Conti .
- D. 271,554 11/1983 Grusin .
- D. 274,030 5/1984 Daenen .
- D. 274,967 8/1984 Taylor .
- D. 275,918 10/1984 Taylor .
- D. 276,400 11/1984 Daenen .
- D. 276,401 11/1984 Daenen .
- D. 276,402 11/1984 Daenen .
- D. 279,251 6/1985 Daenen .
- D. 279,252 6/1985 Daenen .
- D. 279,253 6/1985 Daenen .
- D. 279,952 8/1985 Daenen .
- D. 280,216 8/1985 Boklund .
- D. 280,281 8/1985 Conti .
- D. 280,484 9/1985 Conti .
- D. 282,808 3/1986 Daenen .
- D. 282,809 3/1986 Daenen .
- D. 282,896 3/1986 Conti .
- D. 282,897 3/1986 Conti .

- D. 302,774 8/1989 Murphy .
- D. 304,461 11/1989 Foran .
- D. 314,706 2/1991 Craft .
- D. 319,016 8/1991 Kahl .
- D. 321,090 10/1991 Dickinson .

(List continued on next page.)

FOREIGN PATENT DOCUMENTS

- 6606963 3/1967 Netherlands .

OTHER PUBLICATIONS

Tucker Catalog—Copyright 1992—pp. 6-7 and 10-11 (numbered HH00323-328).
6 pages of undated ads for Rubbermaid Storage Containers (numbered HH00309-314).
Undated, unidentified ad for Rubbermaid Totes (numbered HH00335).
Undated, Rich's Ad for United Plastics Stuff 'N Tote (unnumbered HH00336).
Undated, Caldor Ad for Rubbermaid Products (numbered HH00339-340).
Undated, unidentified ad for Rubbermaid Tote, Rubbermaid Boxes, Staxx Boxes and Sterilite Tote (numbered HH00342).

(List continued on next page.)

Primary Examiner—Terry A. Wallace
Attorney, Agent, or Firm—Pandiscio & Pandiscio

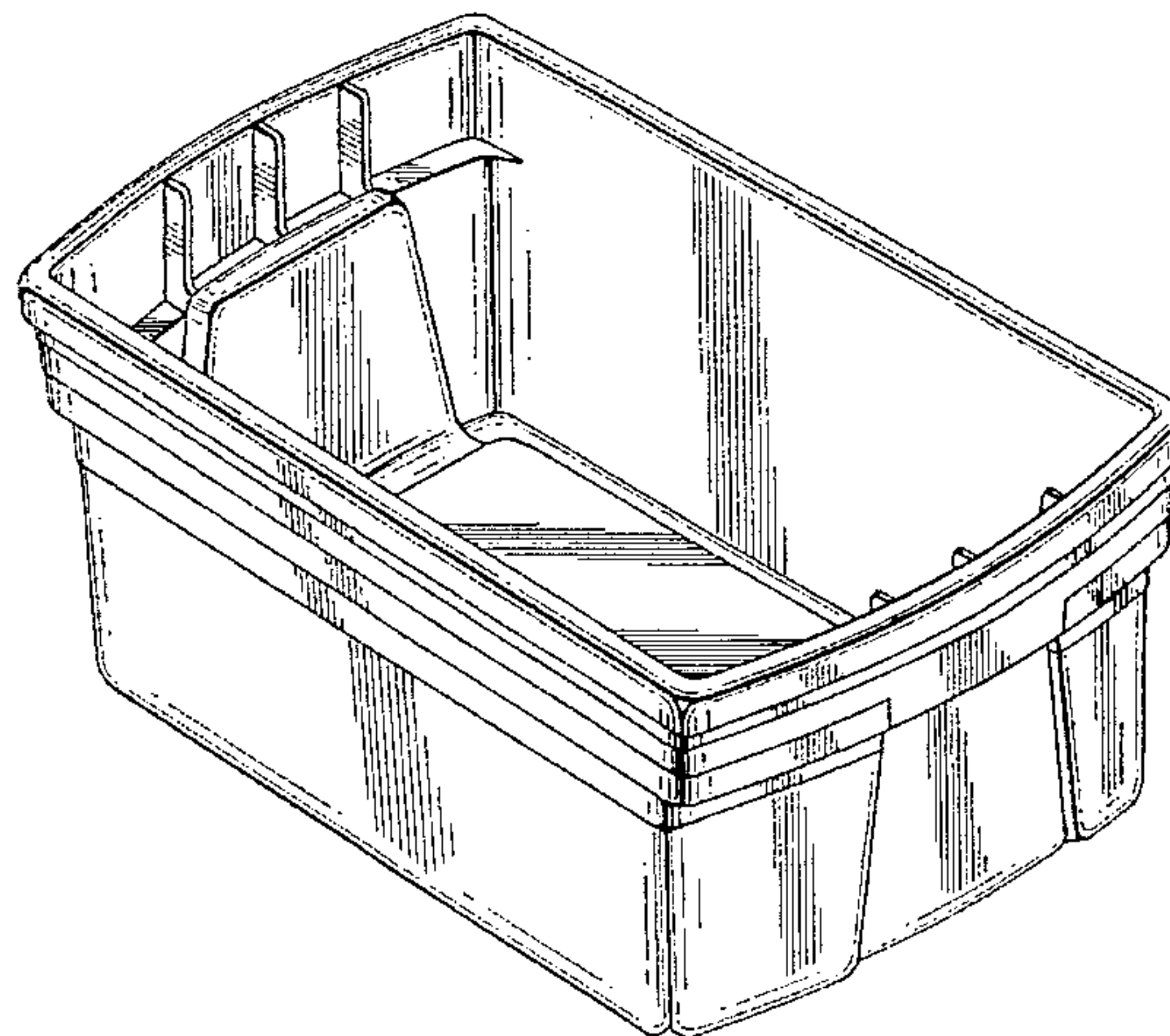
[57] CLAIM

The ornamental design for a tote bin, as shown and described.

DESCRIPTION

FIG. 1 is a perspective view of a tote bin showing my new design;
FIG. 2 is a right side view of the tote bin shown in FIG. 1;
FIG. 3 is a left side view of the tote bin shown in FIG. 1;
FIG. 4 is a front view of the tote bin shown in FIG. 1;
FIG. 5 is a rear view of the tote bin shown in FIG. 1;
FIG. 6 is a top view of the tote bin shown in FIGS. 1; and,
FIG. 7 is a bottom view of the tote bin shown in FIG. 1.
FIGS. 2-7 are shown on an enlarged scale from FIG. 1.

1 Claim, 6 Drawing Sheets



U.S. PATENT DOCUMENTS

D. 321,091 10/1991 Dickinson .
 D. 326,342 5/1992 Doxey .
 D. 326,345 5/1992 Mandell .
 D. 327,555 6/1992 Juergens .
 D. 327,560 6/1992 Hradisky .
 D. 327,561 6/1992 Hradisky .
 D. 327,756 7/1992 Klein .
 D. 328,819 8/1992 Hanna .
 D. 329,331 9/1992 Hobson .
 D. 329,747 9/1992 Embree .
 D. 329,930 9/1992 Delmerico .
 D. 330,329 10/1992 Brightbill .
 D. 335,960 6/1993 Kahl .
 D. 342,609 12/1993 Brightbill .
 D. 342,817 12/1993 Lippisch .
 D. 348,127 6/1994 Van Berne .
 D. 349,646 8/1994 Dickinson .
 D. 351,284 10/1994 Kruger .
 2,634,020 4/1953 Bartholomew .
 2,767,878 10/1956 Brown .
 3,412,889 11/1968 Eicholtz .
 3,419,184 12/1968 Asenbauer .
 3,734,341 5/1973 Levenhagen .
 5,123,564 6/1992 Hobson .
 5,193,706 3/1993 Hanna .
 5,238,142 8/1993 Hanna .

OTHER PUBLICATIONS

Undated Rich's ad for Rubbermaid Totes and United Plastics Hinged Storage (numbered HH00343).
 Staples 1994/1995 Winter Catalog (see pages 121-122) (numbered HH00345-347).
 Undated Caldor ad for Rubbermaid Products (numbered HH00317-320).
 Undated, unidentified ad for Tucker and Tamor Storage (numbered HH00348).
 Undated, unidentified ad for Tucker Storage (numbered HH00349).
 Rubbermaid 1994 Catalog pp. 4, 12-13, 18-19, 28-29, and 38 (numbered HH00350-358).
 Undated K-Mart ad for Rubbermaid Products (numbered HH00359-360).
 Bacinella 15L Tonda (numbered HH00367) undated.
 Undated Tucker Garage Organizer System Catalog (numbered HH00378-385) undated.
 6 xerox copies of pages from Tucker New Products "Ram Tuff" Catalog—undated (numbered HH0039-395).
 Industrial Plastics, 1991 catalog, pp. 70, 82 (numbered HH00406-8).
 Tupperware Catalog entitled "Our Pledge To You" (4 pages) undated.

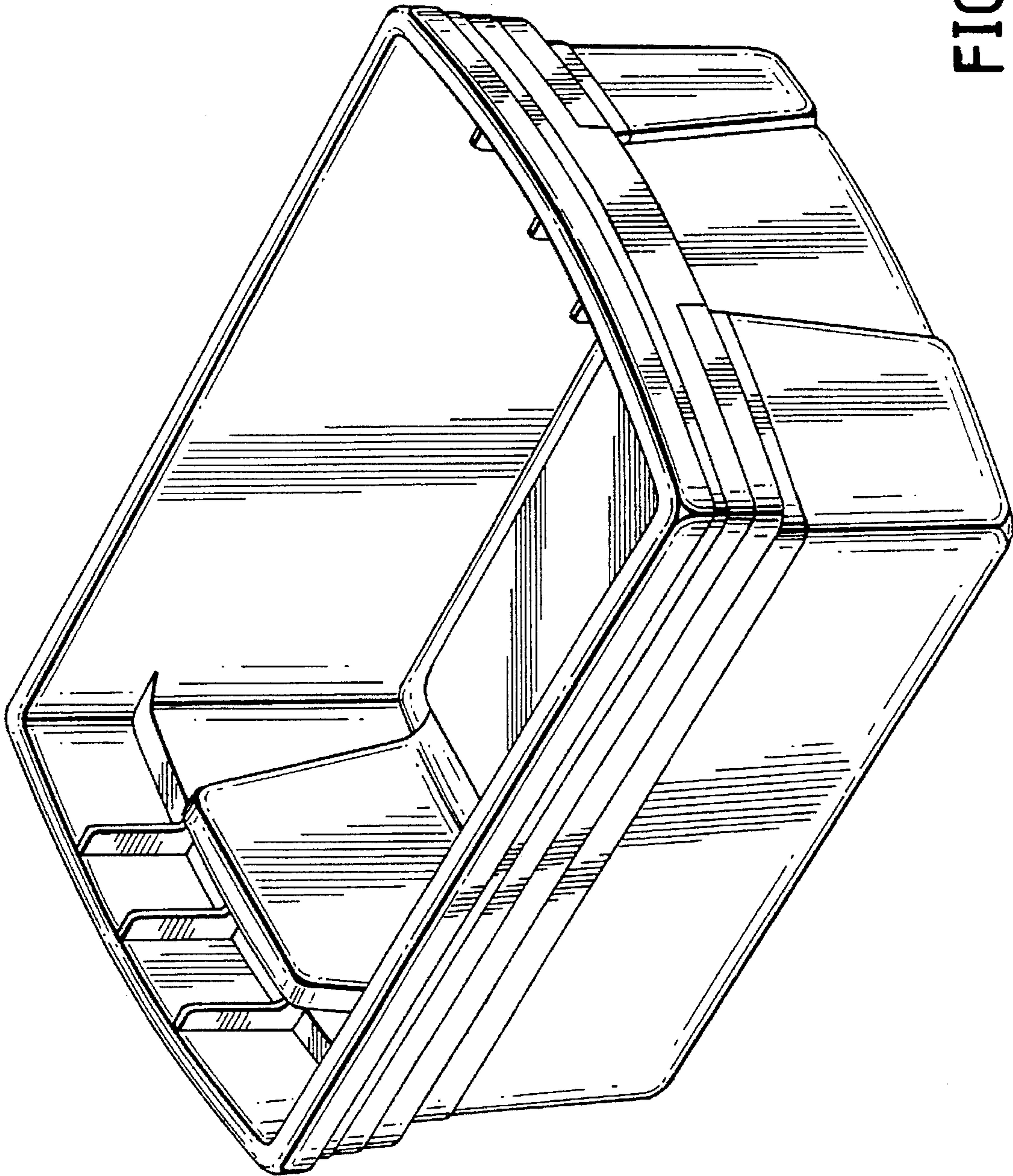


FIG. 1

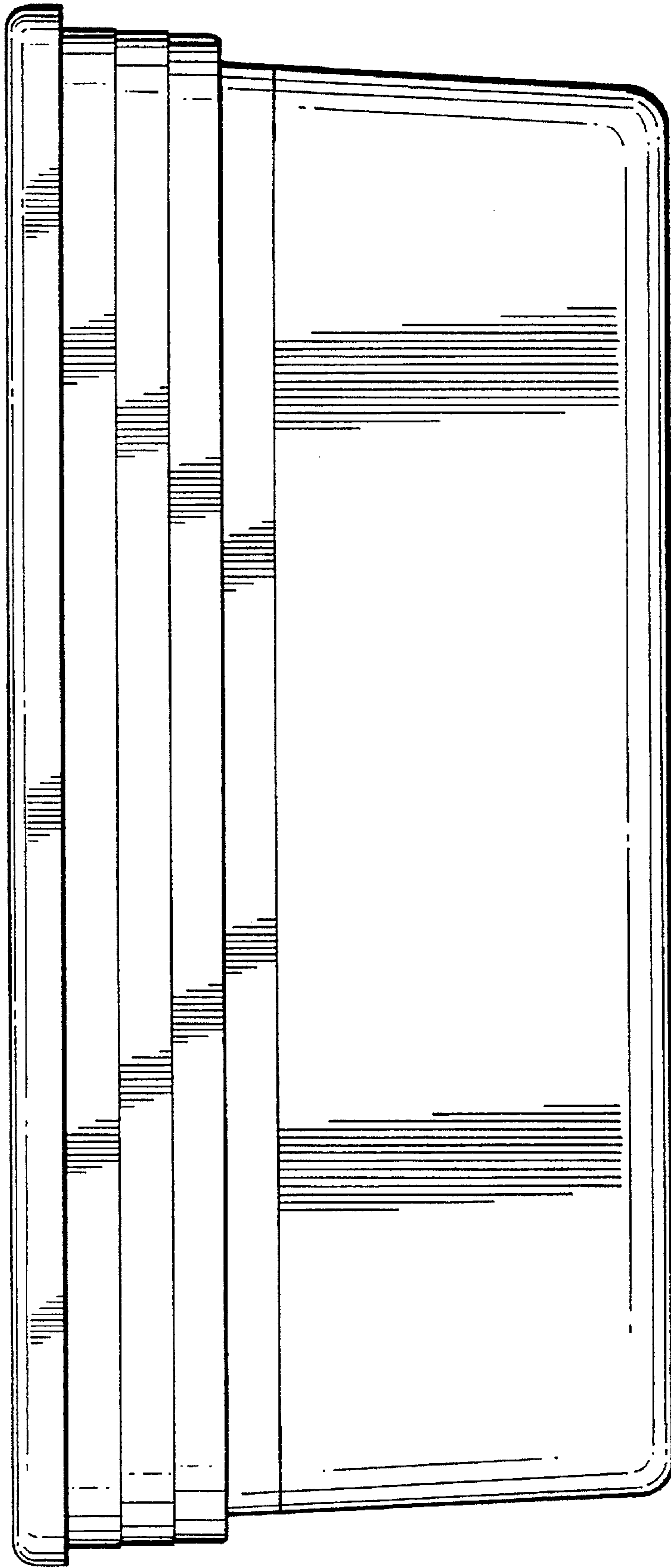


FIG. 2

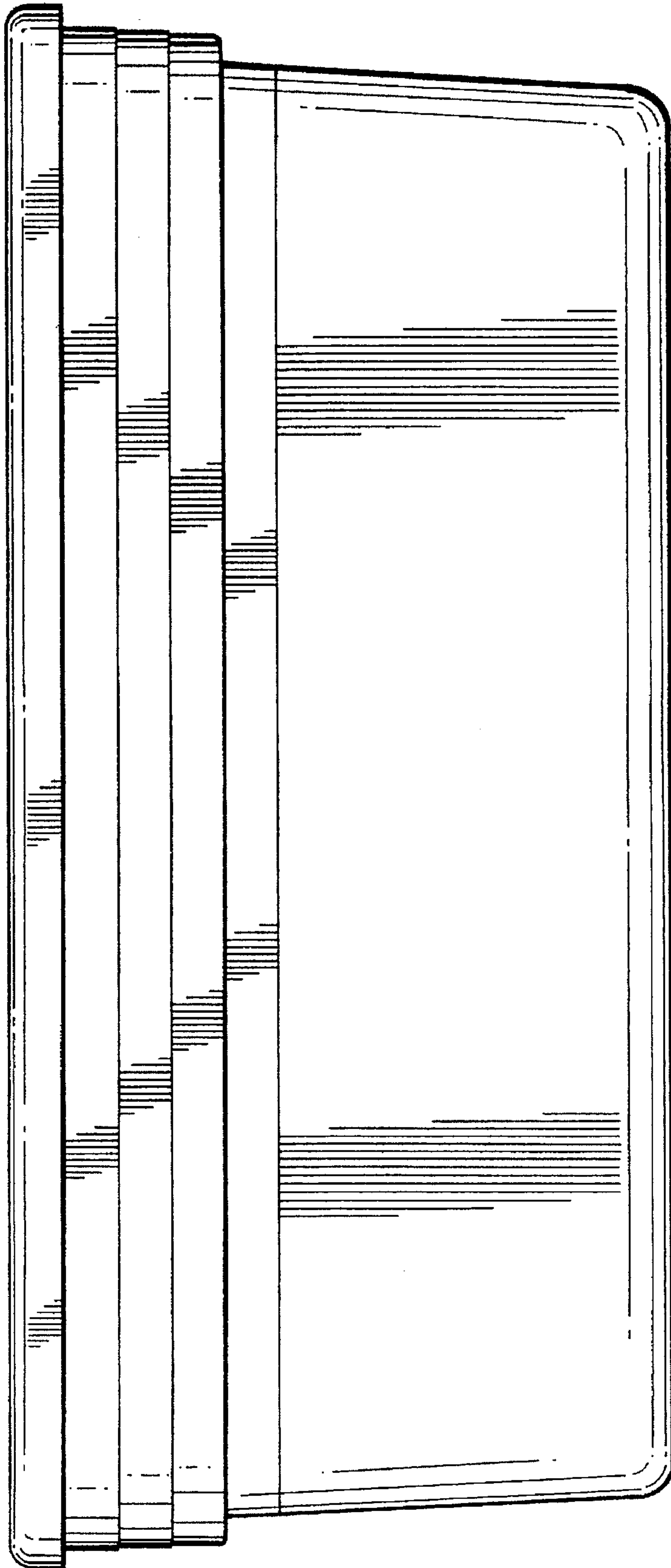


FIG. 3

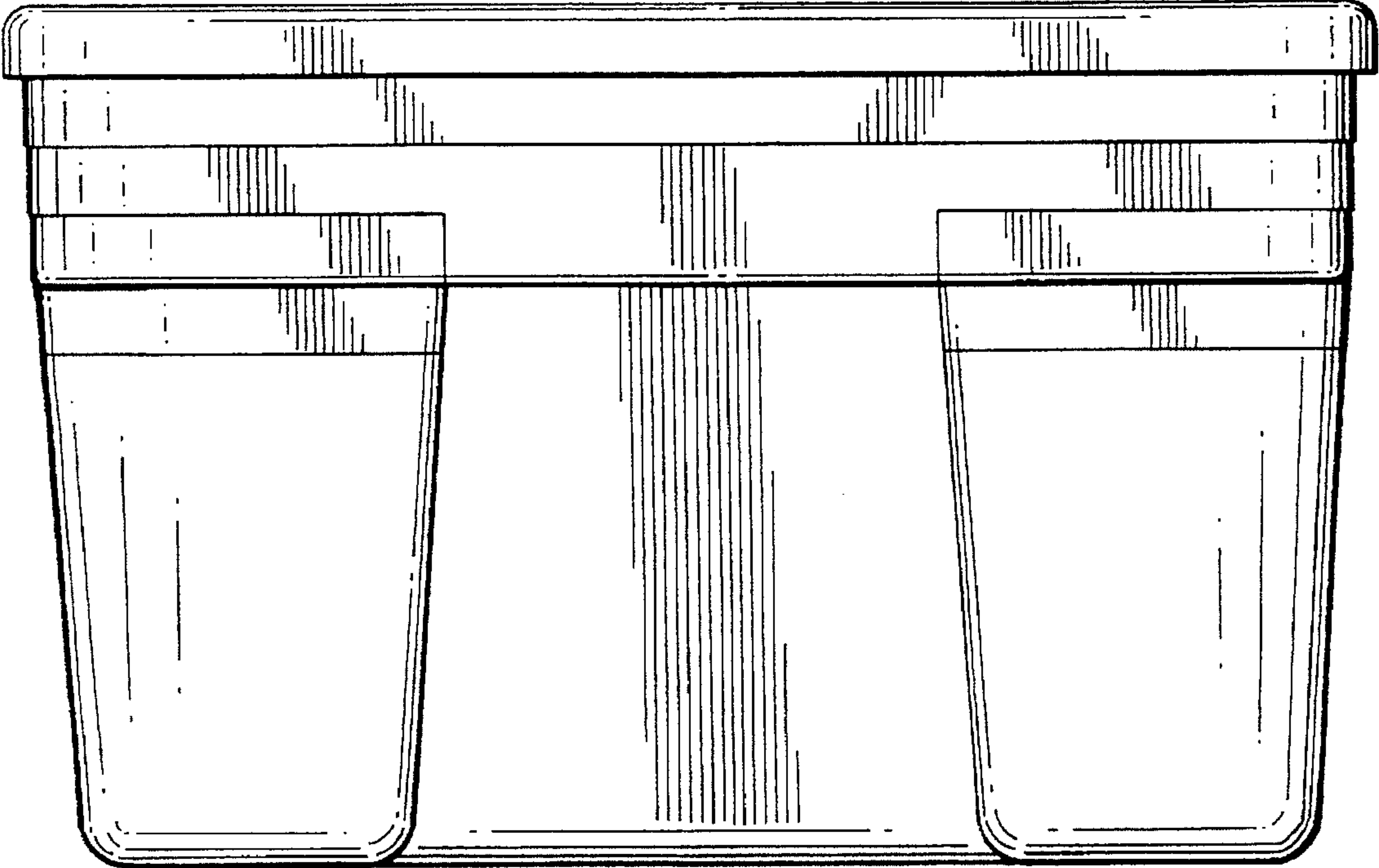


FIG. 4

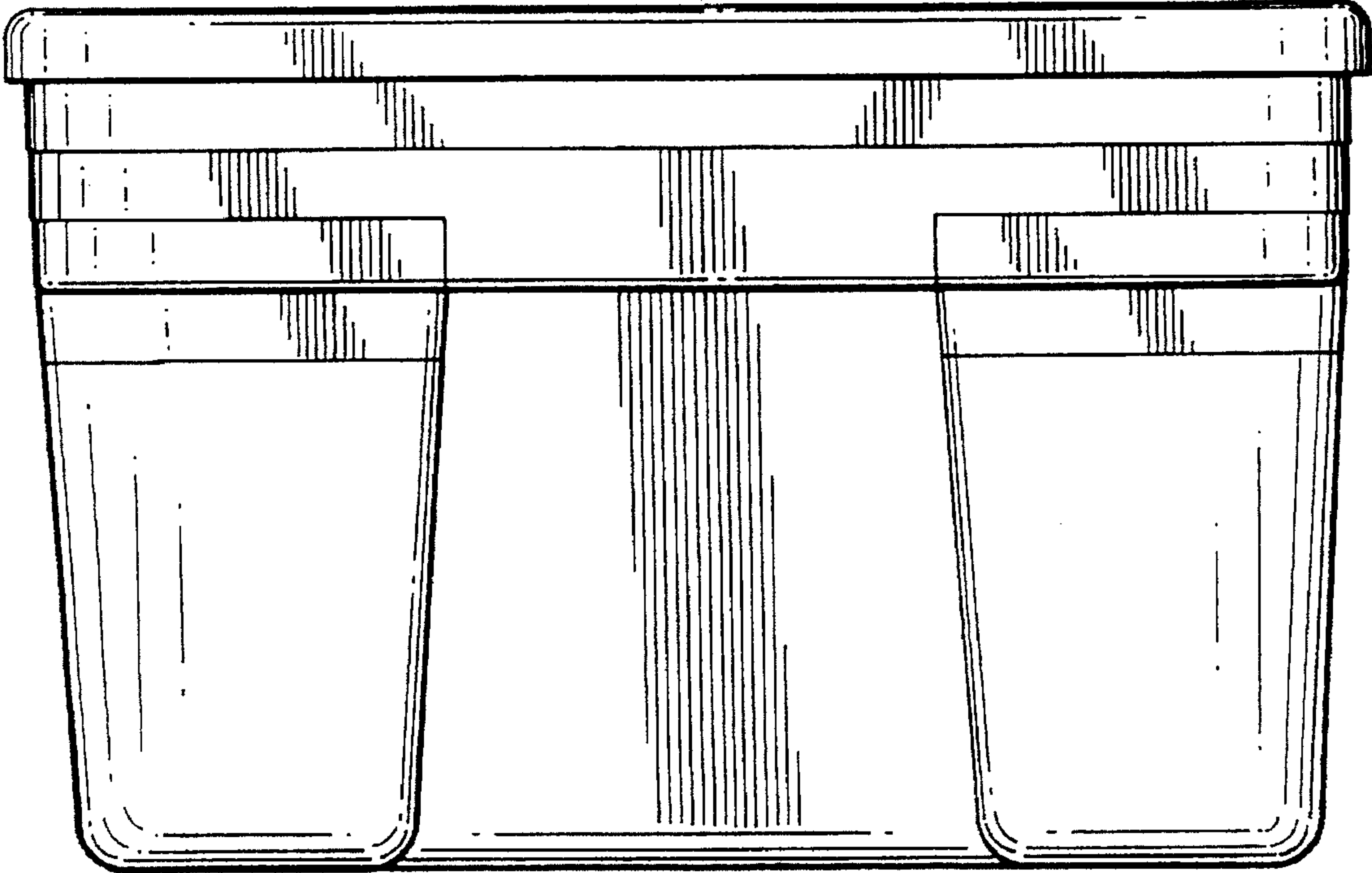


FIG. 5

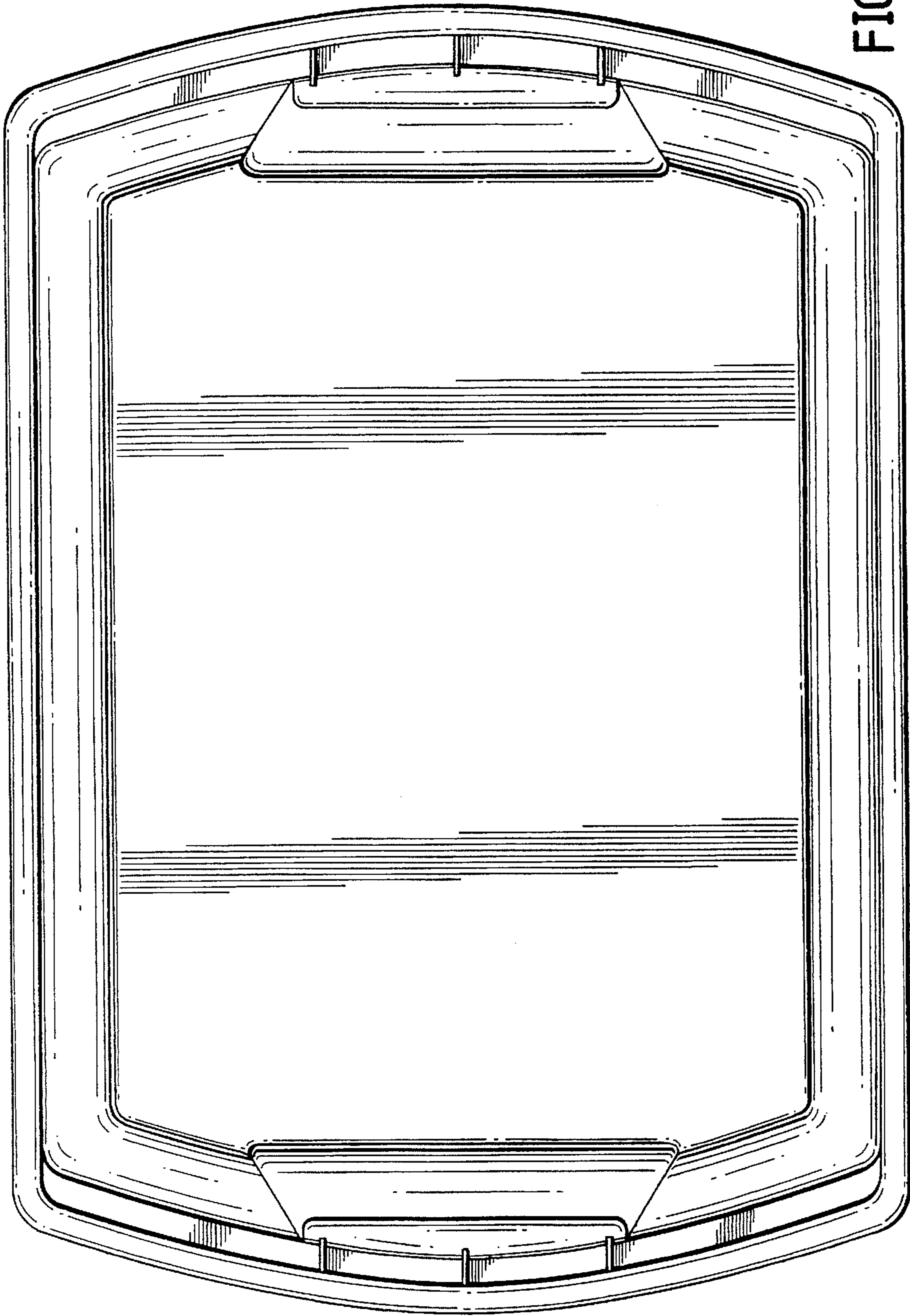


FIG. 6

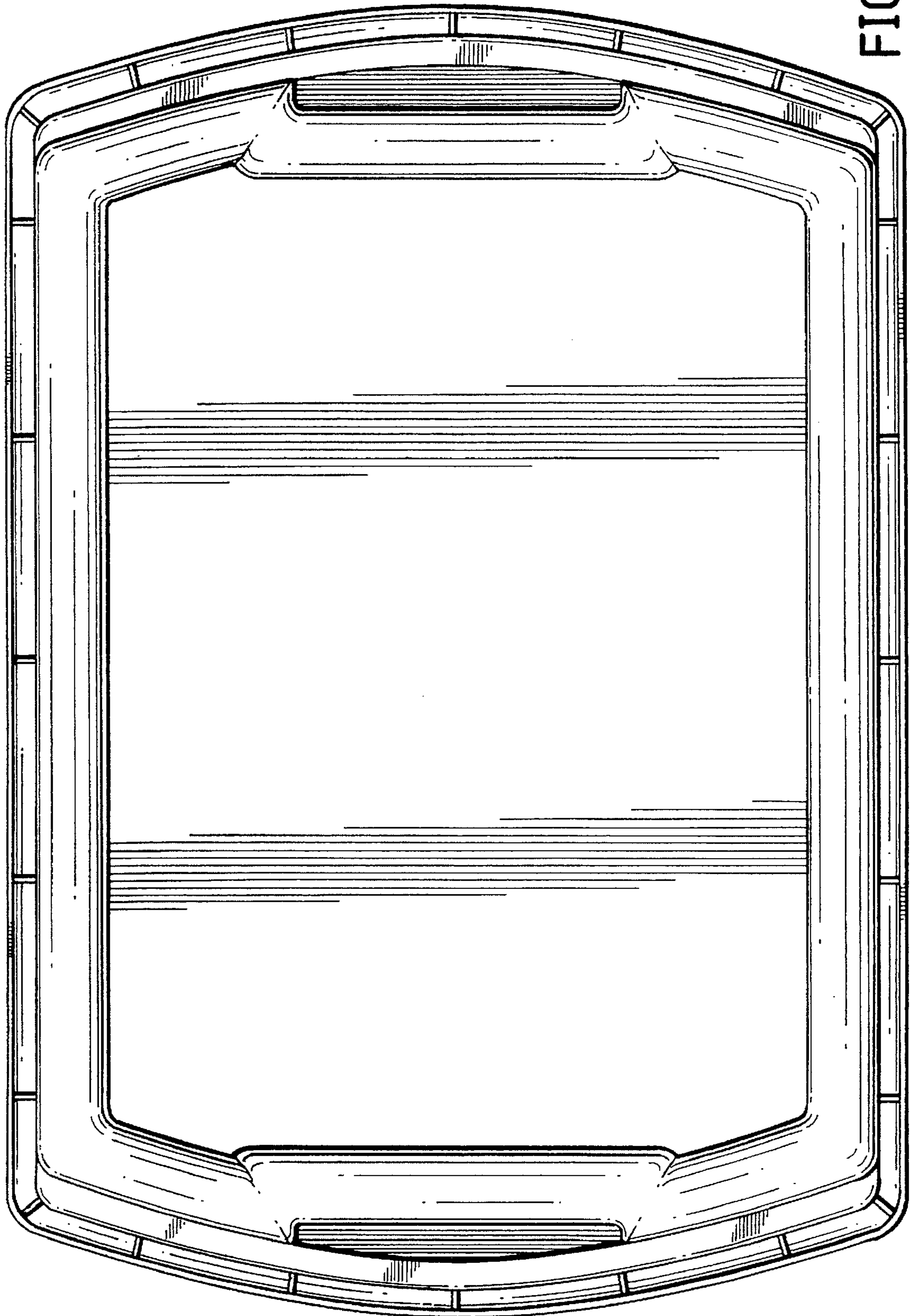


FIG. 7