



US00D381203S

United States Patent [19]

[11] Patent Number: Des. 381,203

Ackermann et al.

[45] Date of Patent: **Jul. 22, 1997

[54] STACKABLE AND NESTABLE ONE PART CONTAINER

[75] Inventors: **Jeffrey Robert Ackermann**, Manhattan Beach, Calif.; **William Patrick Apps**, Alpharetta, Ga.; **Glenn McCord Phillips**, Manhattan Beach, Calif.

[73] Assignee: **Rehrig-Pacific Company, Inc.**, Los Angeles, Calif.

[**] Term: 14 Years

[21] Appl. No.: 50,286

[22] Filed: Feb. 13, 1996

[51] LOC (6) Cl. 03-01

[52] U.S. Cl. D3/307

[58] Field of Search D3/304-314; D9/414, D9/424, 425, 430-432; 206/503-512, 515, 518, 519; 220/23.6, 752, 4.26, DIG. 12, DIG. 14

[56] References Cited

U.S. PATENT DOCUMENTS

Re. 26,350	2/1968	Wilson	206/505
D. 197,091	12/1963	Crane .	
D. 197,311	1/1964	Spaak et al. .	
D. 198,594	7/1964	Casteliano .	
D. 248,280	6/1978	Martin .	
D. 252,172	6/1979	Carroll et al. .	
D. 259,400	6/1981	Carroll et al.	D3/304
D. 266,198	9/1982	Carroll et al.	D3/304
D. 266,914	11/1982	Miller	D11/155
D. 274,967	8/1984	Taylor	D6/510
D. 292,634	11/1987	Chabot	D3/307
D. 302,620	8/1989	Quong .	
D. 328,662	8/1992	Maglione .	
2,064,518	12/1936	Brogden	220/97
2,695,115	11/1954	Roop	220/42
3,113,680	12/1963	Frater et al.	206/507
3,270,913	9/1966	Bridenstine et al.	220/97
3,326,410	6/1967	Asenbauer	220/97

(List continued on next page.)

FOREIGN PATENT DOCUMENTS

675843	12/1963	Canada	190/26
778627	2/1968	Canada	190/73.5
1022090	12/1977	Canada	190/34.3
2 332 920	7/1977	France	206/507
2 504 889	11/1982	France	206/507
2 547 561	12/1984	France .	
1 603 046	11/1981	United Kingdom .	
2 223 481	4/1990	United Kingdom .	
2 227 232	7/1990	United Kingdom .	

OTHER PUBLICATIONS

"Cooling Table Grapes." Author unknown, Undated, pp. 40, 44-48 (admitted prior art).

"II. Cooling Methods," *Postharvest Technology of Horticultural Crops*, 2d ed., Adel A. Kadner & F. Gordon Mitchell, Univ. Of Calif. Division of Agriculture & Natural Resources, Publication 3311, 1992 (best available copy).

"Vigrate 32" product literature, Viscount Consolidated Industries Pty Ltd., Victoria Australia, 4 pages, Undated (admitted prior art).

"Product Information Bulletin - Viacount 32 Litre Crate", Viscount Consolidated Industries Pty Ltd., Victoria, Australia, 2 pages, Undated (admitted prior art).

Primary Examiner—Terry A. Wallace
Attorney, Agent, or Firm—Banner & Witcoff, Ltd.

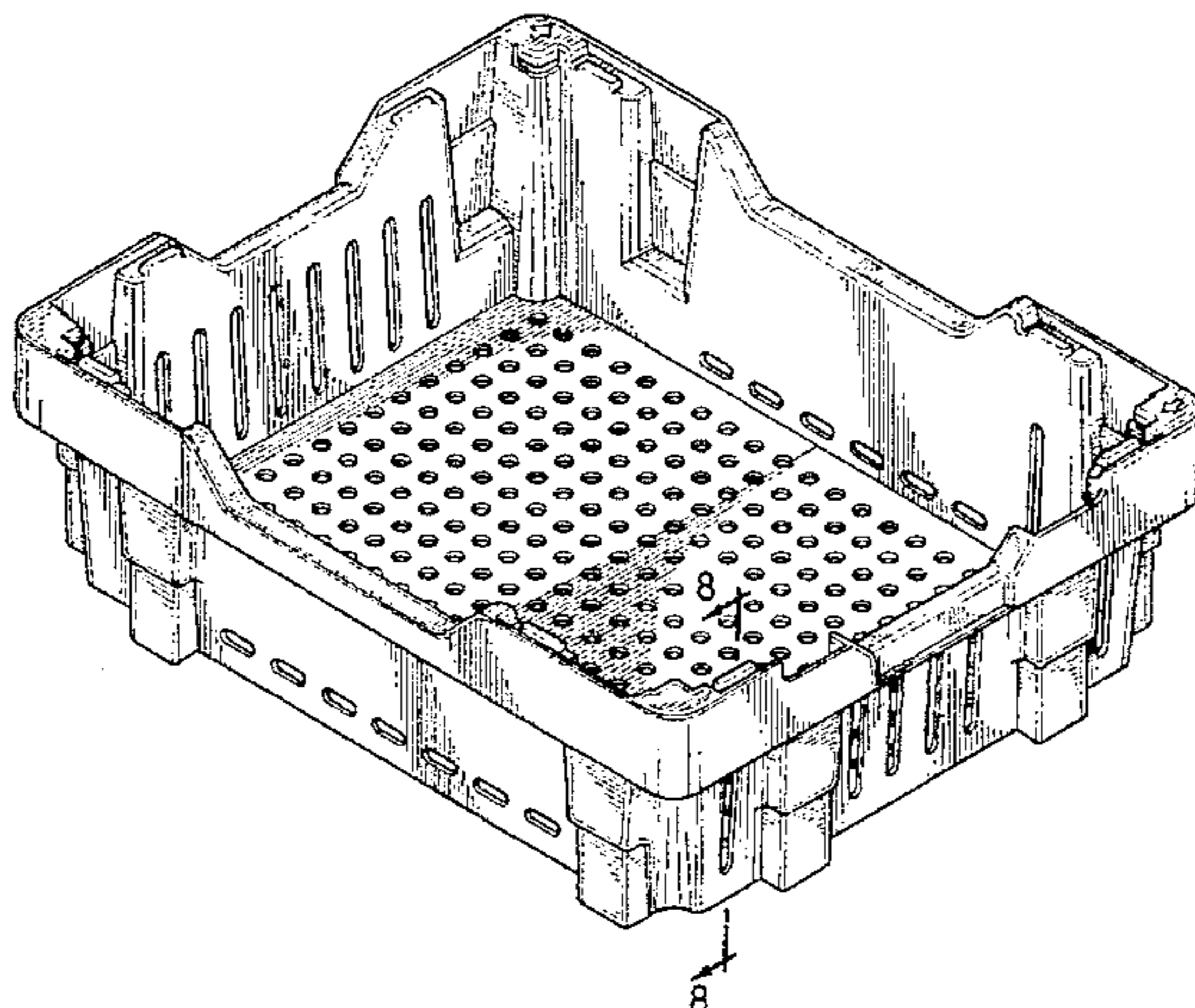
[57] CLAIM

The ornamental design for a stackable and nestable one part container, as shown and described.

DESCRIPTION

FIG. 1 is a top perspective view of a stackable and nestable one part container showing our new design; FIG. 2 is a front elevation view thereof; FIG. 3 is a rear elevation view thereof; FIG. 4 is a right side elevation view thereof; FIG. 5 is a left side elevation view thereof; FIG. 6 is a top plan thereof; FIG. 7 is a bottom plan view thereof; and, FIG. 8 is a cross-sectional view taken along line 8-8 of FIG. 1; FIGS. 2-8 are shown on an enlarged scale.

1 Claim, 8 Drawing Sheets



U.S. PATENT DOCUMENTS

3,331,529	7/1967	Slapnik	220/97	3,773,213	11/1973	Fredrick	220/97 D
3,351,229	11/1967	Bridenstine	220/97	4,000,817	1/1977	Sanders et al.	206/505
3,360,162	12/1967	Miles	220/97	4,027,796	6/1977	Martin	206/507
3,420,402	1/1969	Frater et al.	220/97	4,105,117	8/1978	Atkin et al.	206/501
3,447,715	6/1969	Beney	220/97	4,189,052	2/1980	Carroll et al.	206/507
3,481,502	12/1969	Slayman	217/42	4,225,046	9/1980	Ettema	206/511
3,547,309	12/1970	Pusey et al. .		4,478,344	10/1984	Rehrig	220/83
3,682,351	8/1972	De Putter	220/97 B	4,759,451	7/1988	Apps	211/126
3,700,137	10/1972	Souza	220/97 E	4,848,580	7/1989	Wise	206/519
3,734,341	5/1973	Levenhagen	220/97 D	5,031,761	7/1991	de Larosiere	206/203
3,759,416	9/1973	Constantine	220/97 F	5,042,674	8/1991	Ramsay et al.	220/4.24
				5,415,293	5/1995	Ackerman et al.	206/506

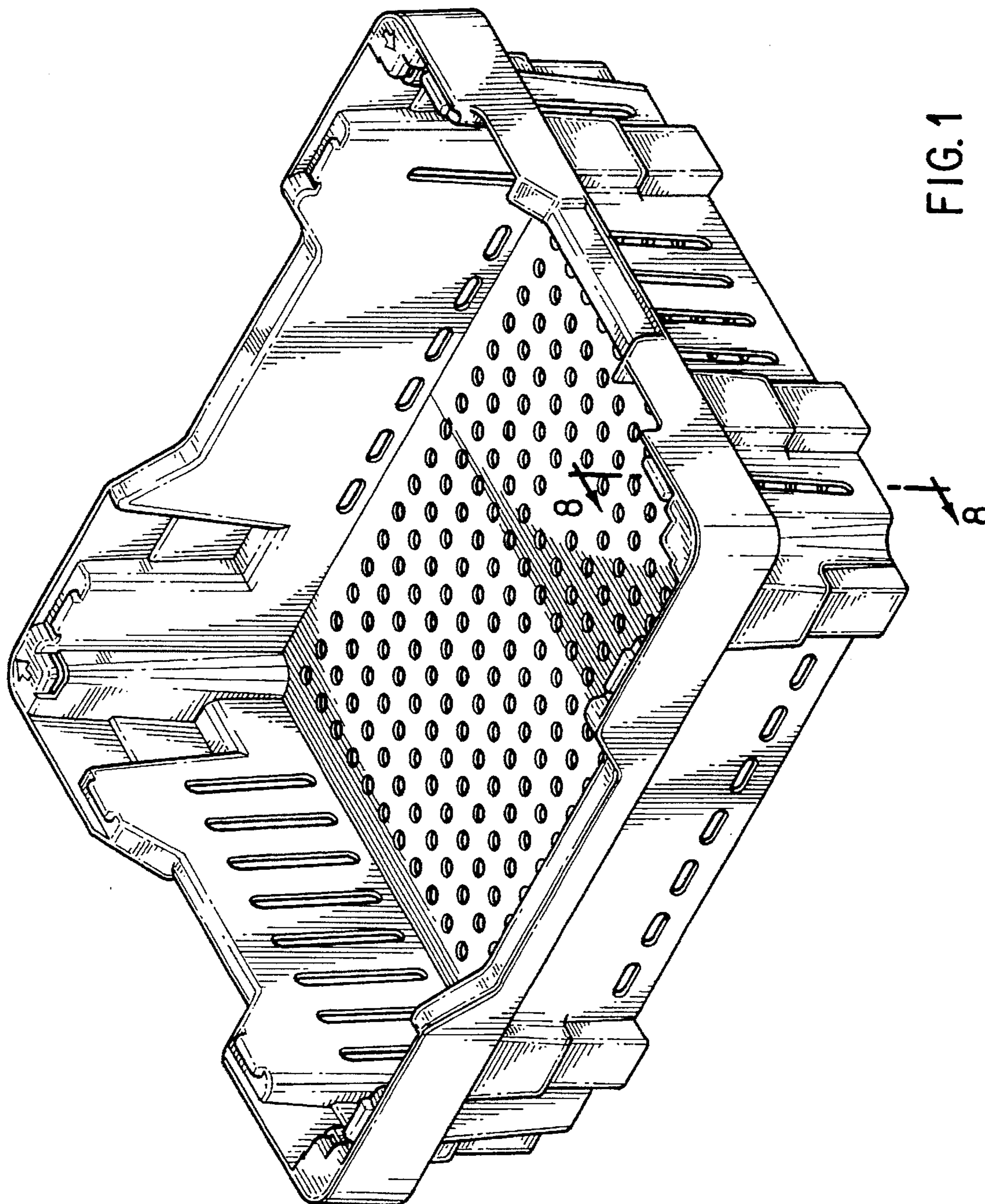


FIG. 1

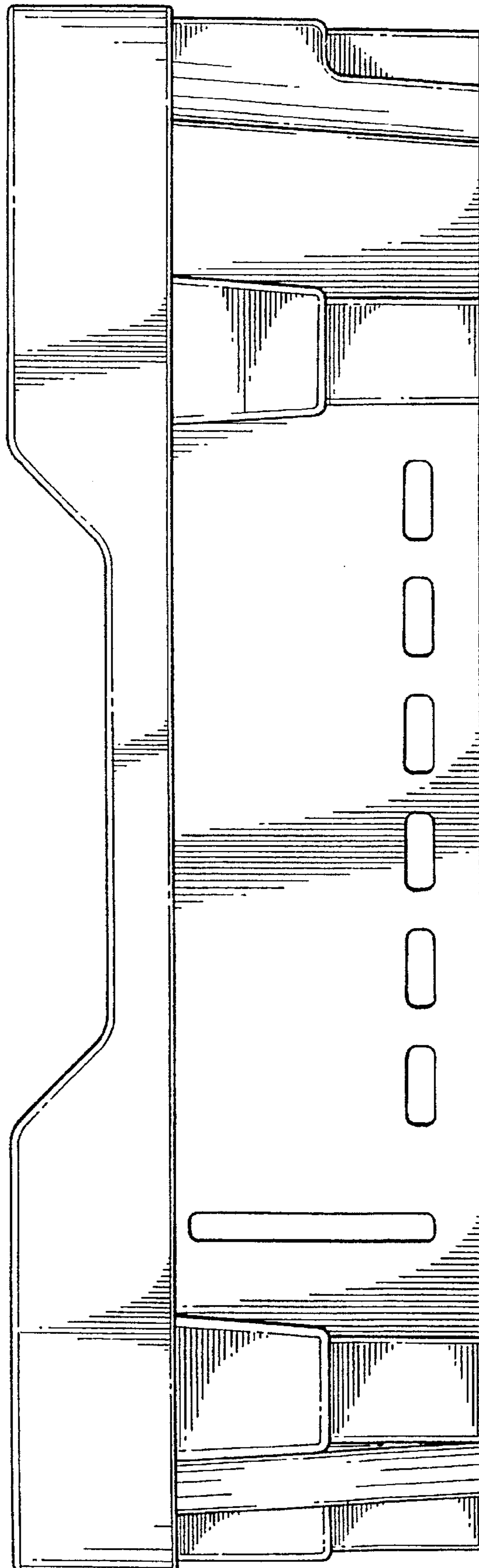


FIG. 2

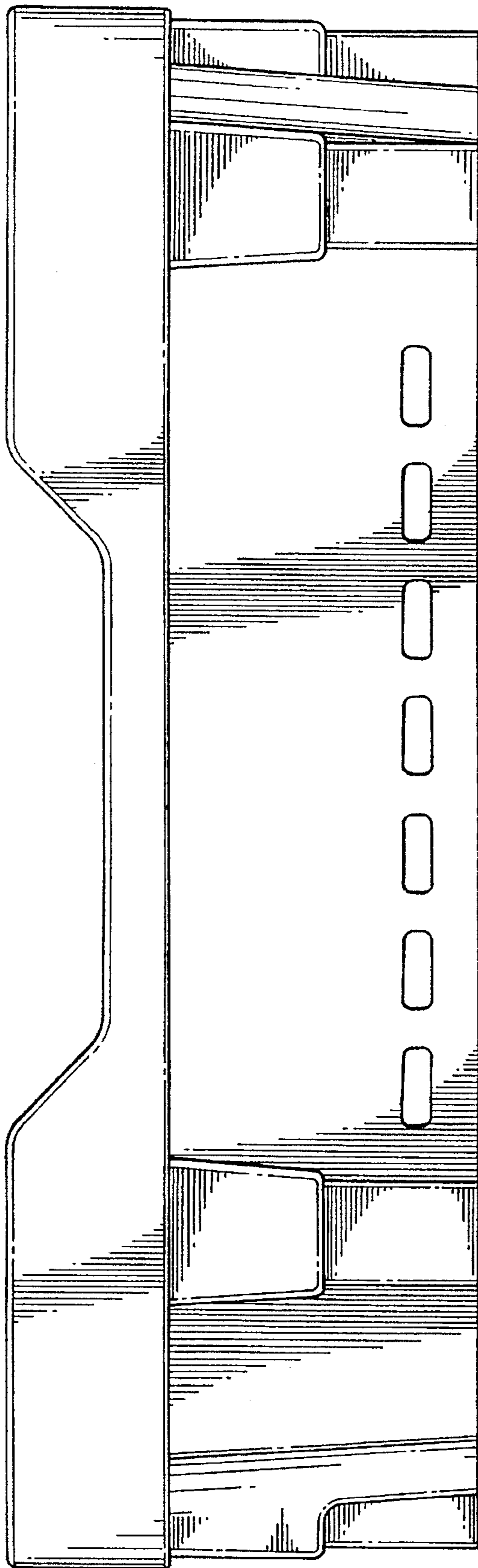


FIG. 3

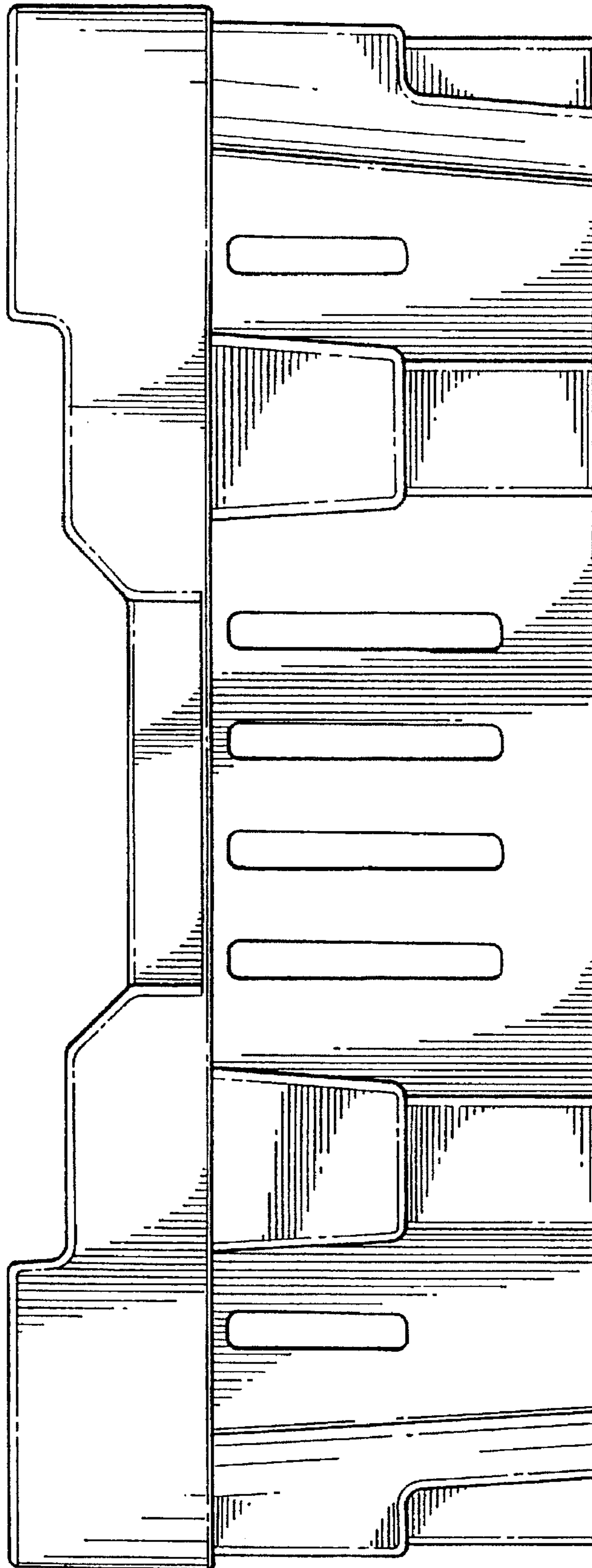


FIG. 4

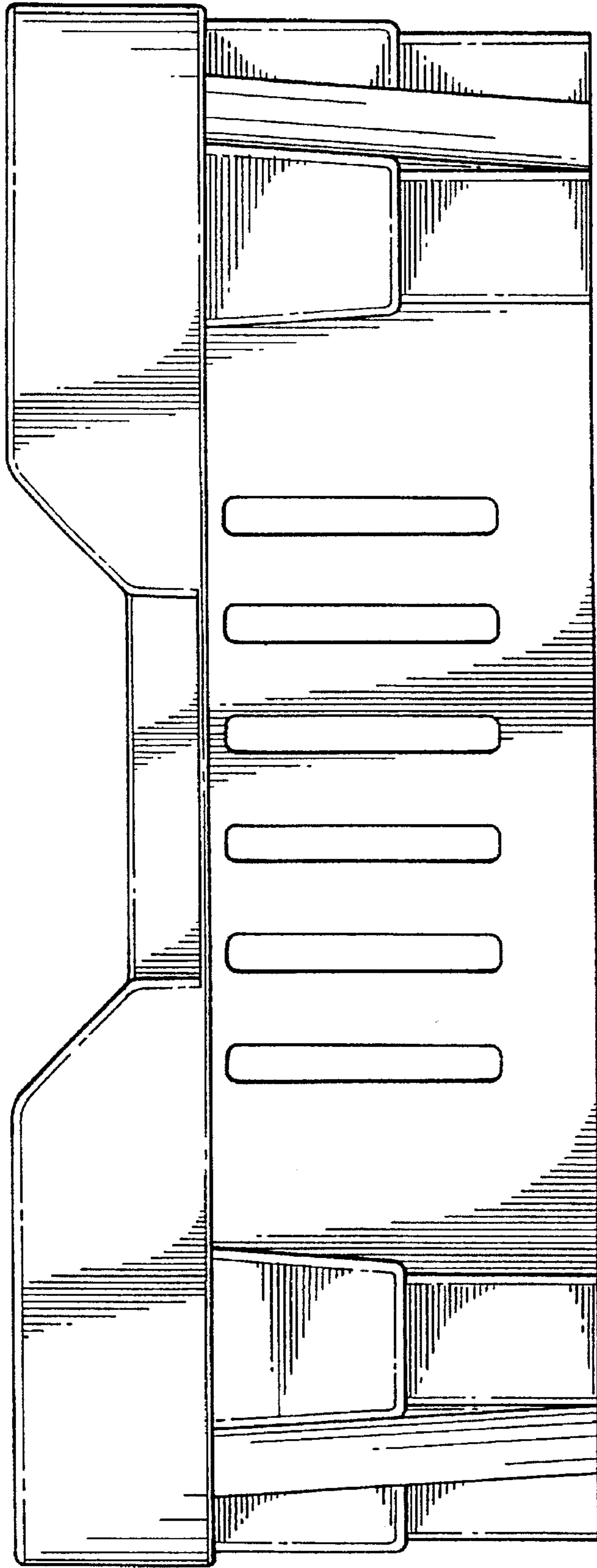


FIG. 5

FIG. 6

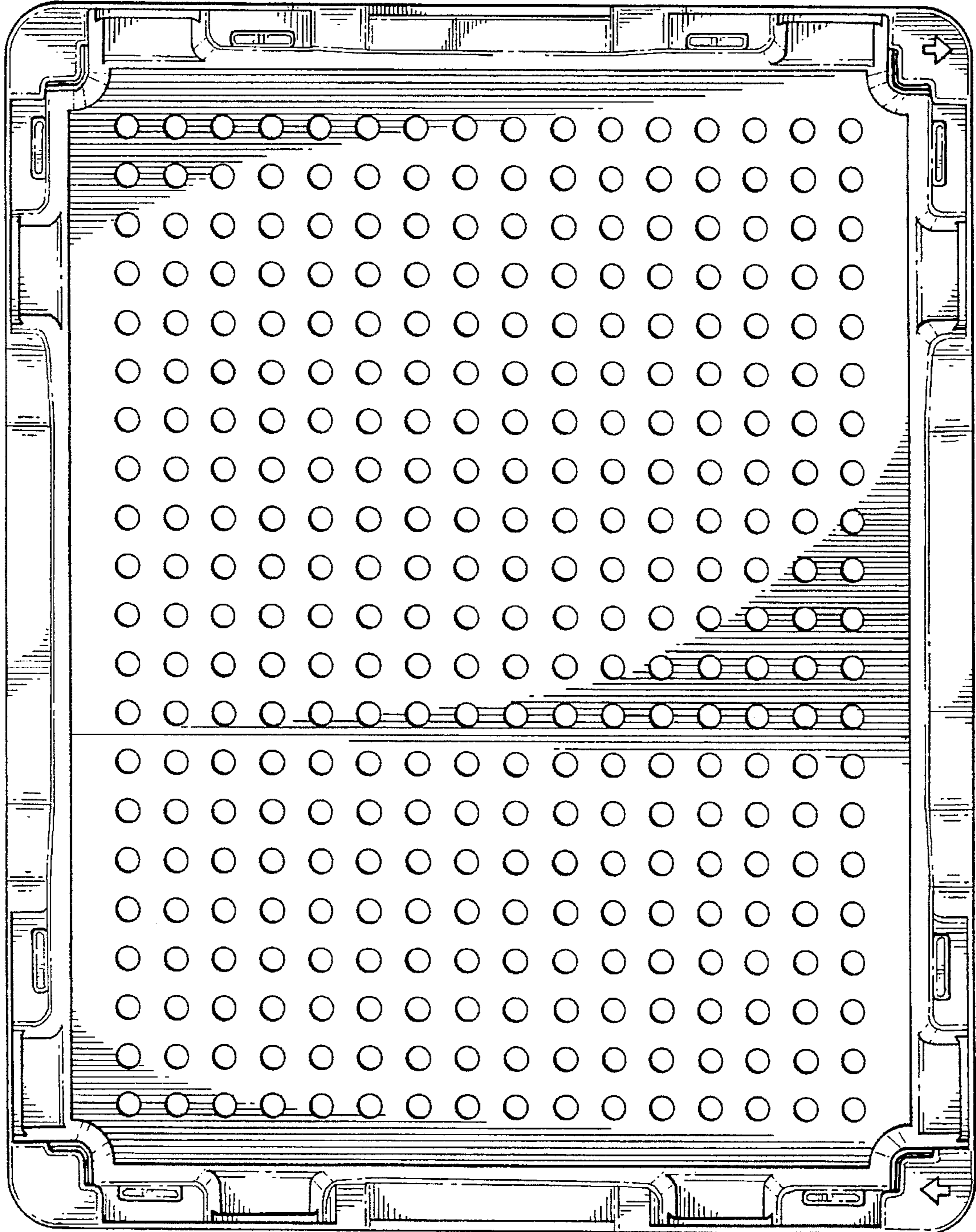
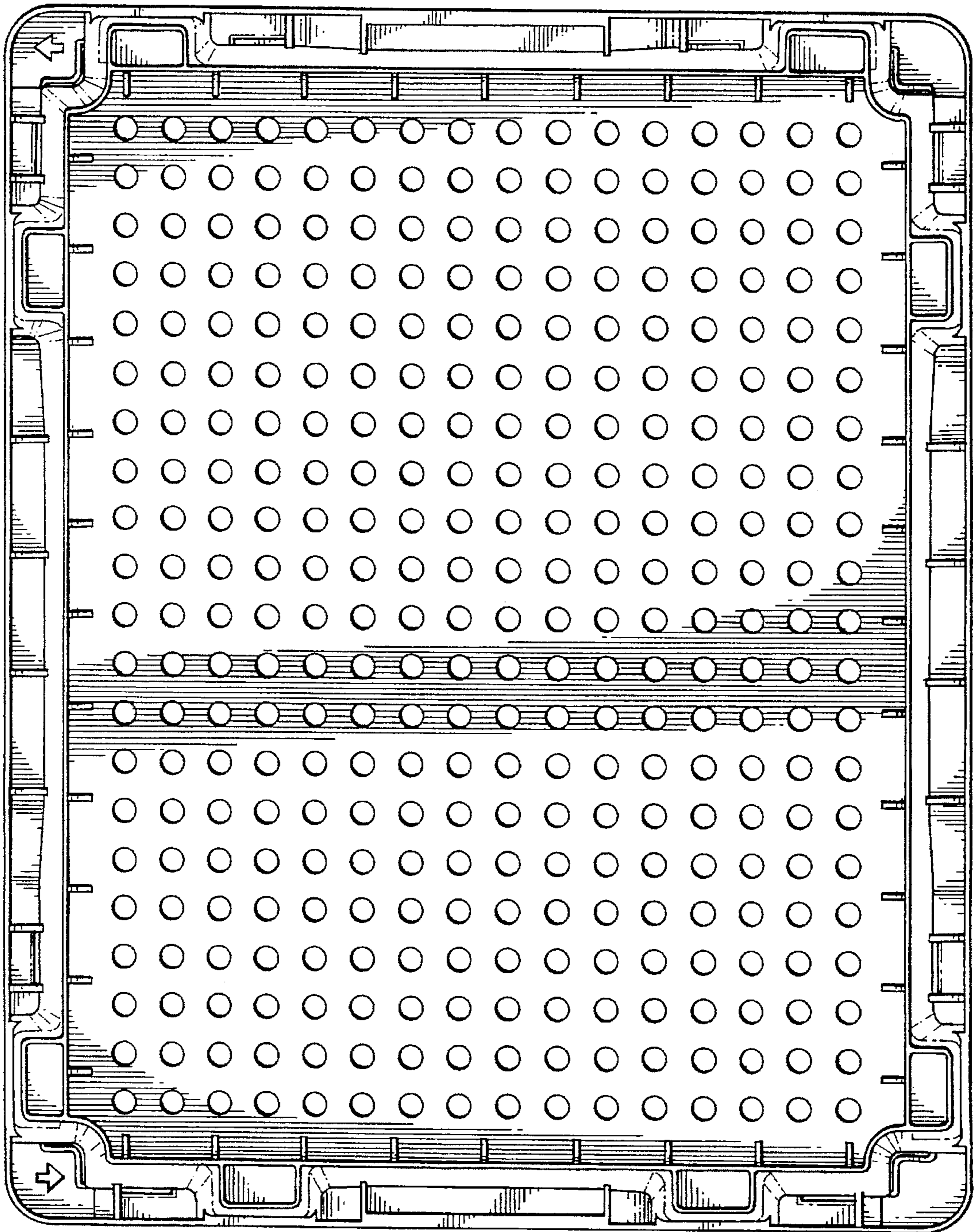


FIG. 7



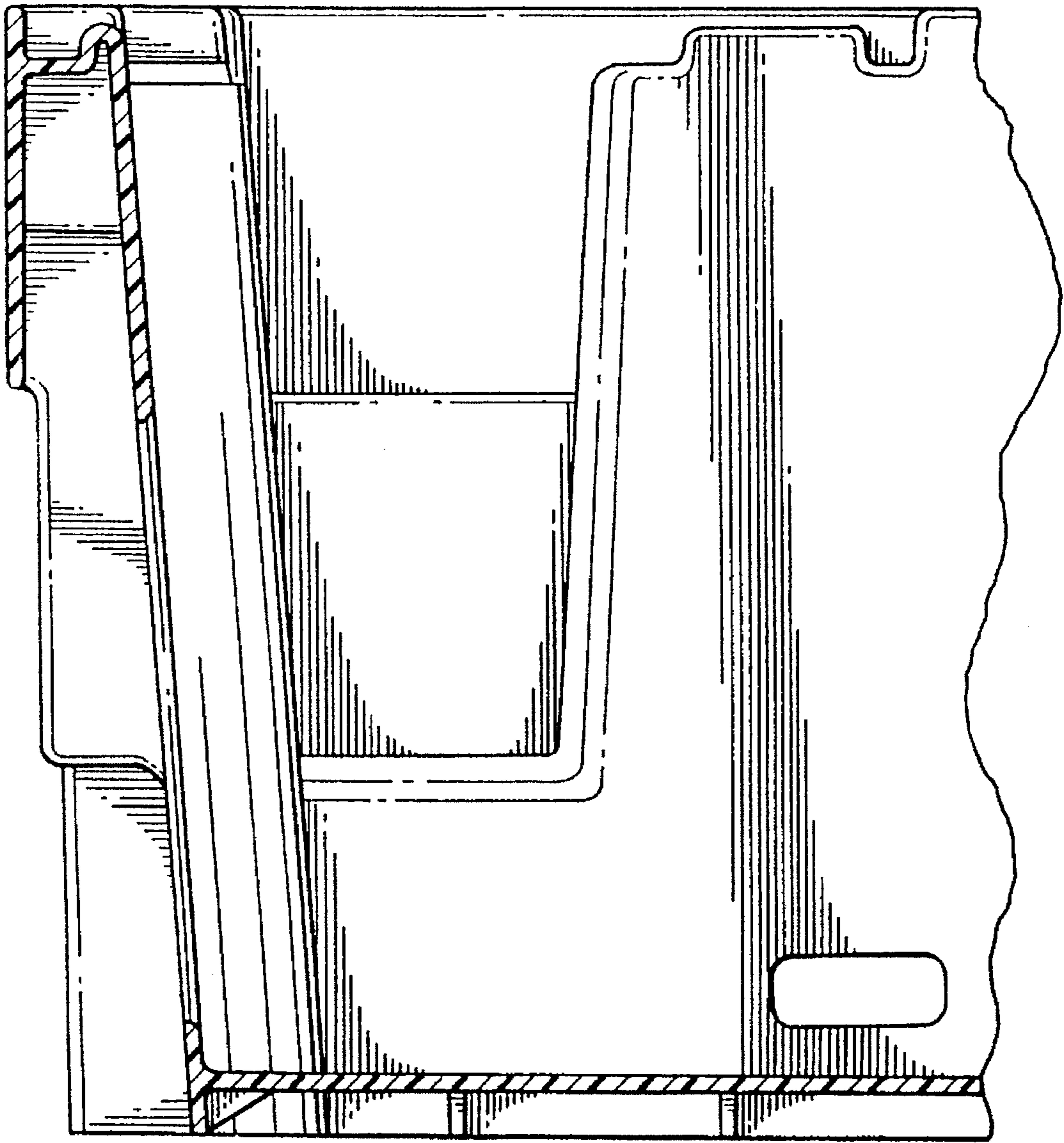


FIG. 8