



US00D381200S

United States Patent [19]

[11] Patent Number: **Des. 381,200**

Benson

[45] Date of Patent: ****Jul. 22, 1997**

[54] CONTAINER

Attorney, Agent, or Firm—Kirkpatrick & Lockhart LLP

[76] Inventor: **Candice Benson**, 802 Meadow Village Dr., Butler, Pa. 16001

[57] CLAIM

[**] Term: **14 Years**

The ornamental design for a container, as shown and described.

[21] Appl. No.: **48,522**

DESCRIPTION

[22] Filed: **Jan. 2, 1996**

FIG. 1 is a front perspective view of a container showing my new design with the lid thereof in a closed position;

[51] LOC (6) Cl. **03-01**

FIG. 2 is a top view of the container of FIG. 1;

[52] U.S. Cl. **D3/281; D3/284; D3/295**

FIG. 3 is a front elevational view of the container of FIGS. 1 and 2;

[58] Field of Search D3/273, 276, 281, D3/282, 294, 284, 295; 220/DIG. 26; 206/235, 581, 823, 45.11; 190/110, 109, 115

FIG. 4 is a left side elevational view of the container of FIGS. 1-3;

[56] **References Cited**

FIG. 5 is a bottom view of the container of FIGS. 1-4;

U.S. PATENT DOCUMENTS

FIG. 6 is a rear elevational view of the container of FIGS. 1-5;

| | | | | |
|------------|---------|----------------|-------|---------|
| D. 313,502 | 1/1991 | Vasky | | D3/284 |
| D. 348,984 | 7/1994 | Gilbert et al. | | D3/281 |
| D. 351,283 | 10/1994 | Wolff | | D3/281 |
| D. 353,748 | 12/1994 | Ferris et al. | | D3/276 |
| D. 354,622 | 1/1995 | Lovell | | D3/294 |
| 3,029,915 | 4/1962 | Axtell | | 190/115 |
| 4,936,463 | 6/1990 | Tiramani | | 206/581 |
| 5,211,302 | 5/1993 | Tiramani | | 206/581 |
| 5,358,100 | 10/1994 | Wolff | | 206/823 |

FIG. 7 is a right side elevational view of the container of FIGS. 1-6;

FIG. 8 is a front elevational view of the container showing my new design with the lid thereof in an open position;

FIG. 9 is a front perspective view of the container shown in FIG. 8 with the removable tray thereof removed and shown in perspective;

FIG. 10 is a top view of the container of FIG. 9; and,

FIG. 11 is a top view of the removable tray of FIG. 9.

Primary Examiner—Philip S. Hyder

1 Claim, 7 Drawing Sheets

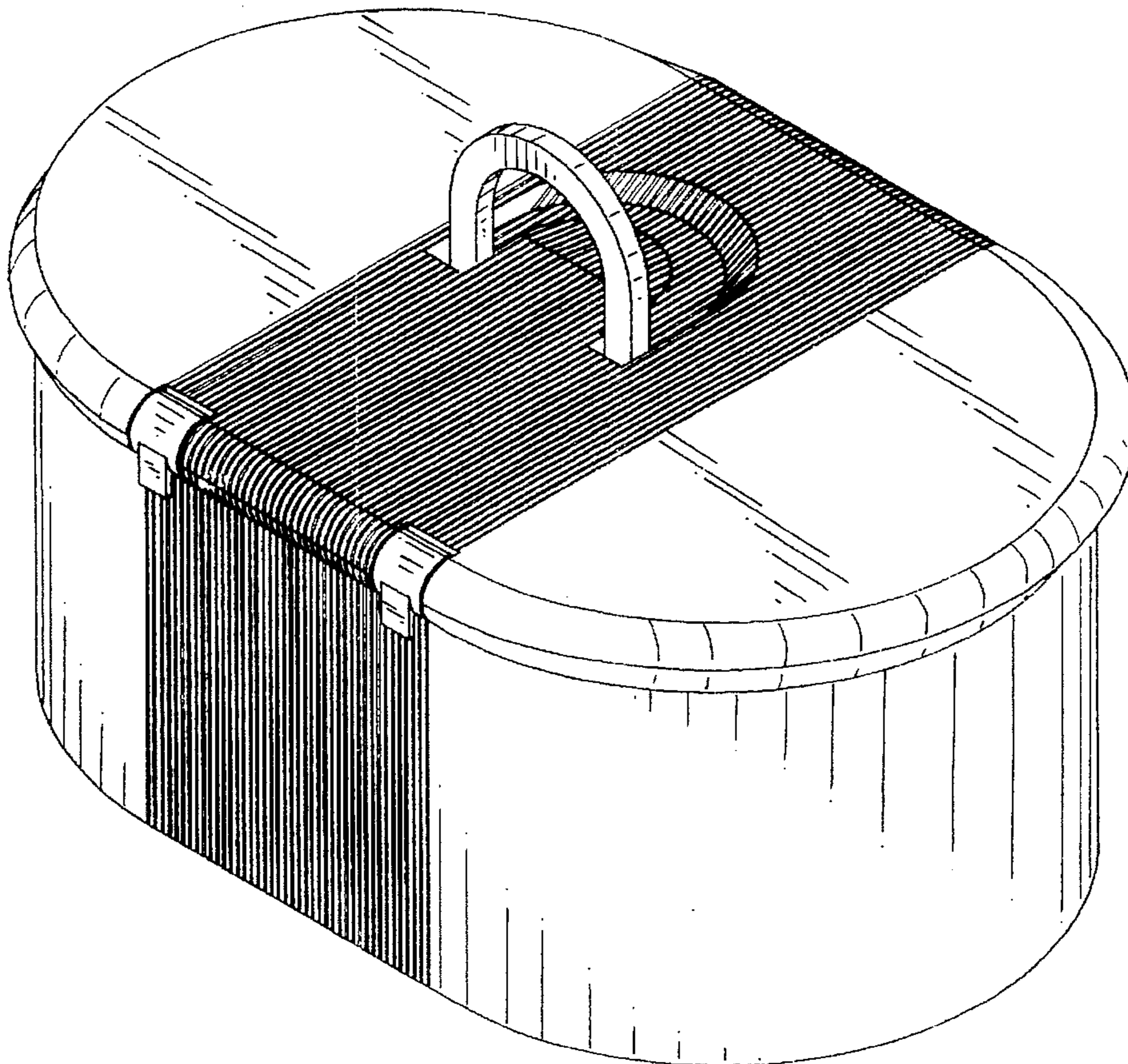


FIG. 1

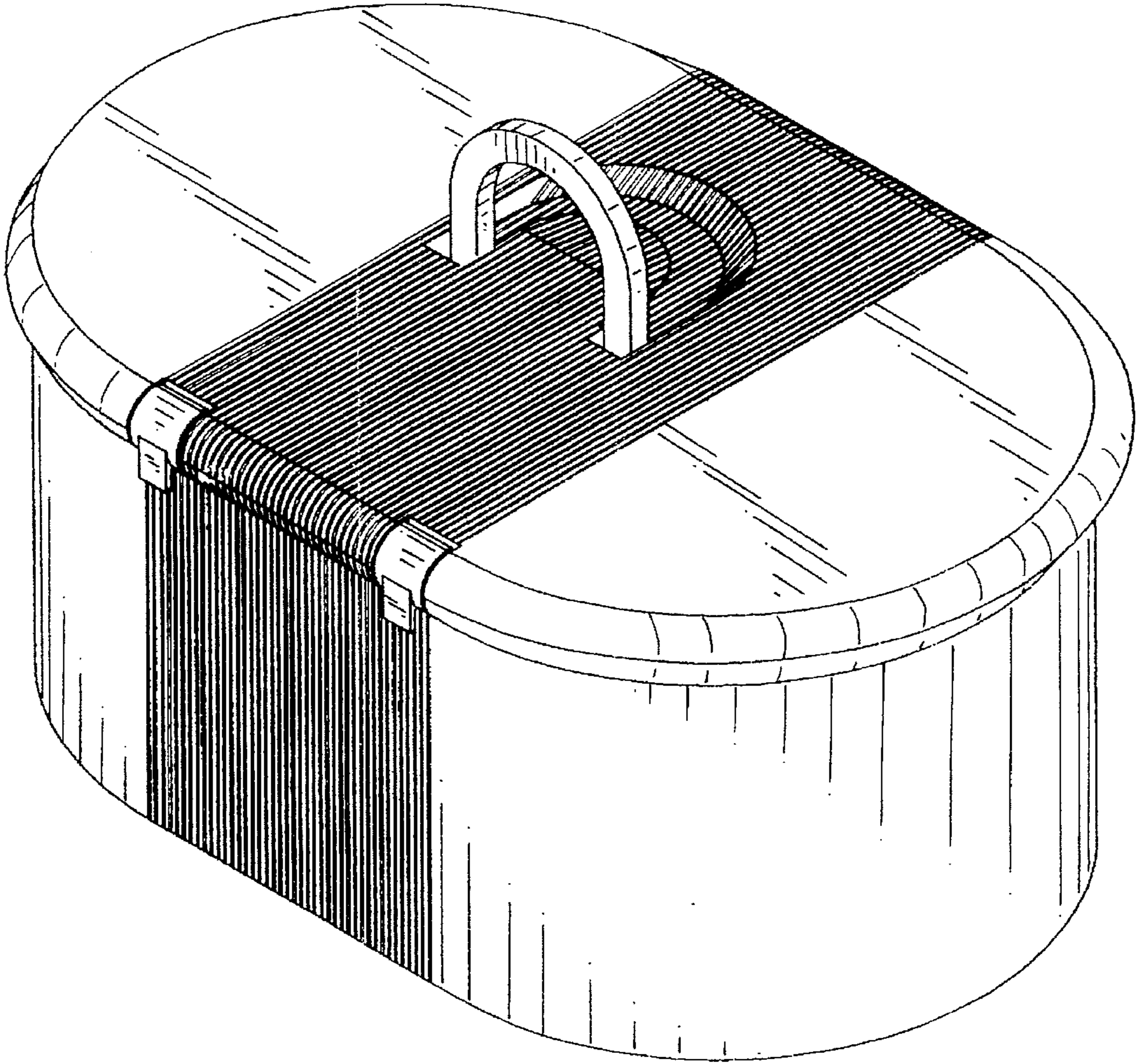


FIG. 2

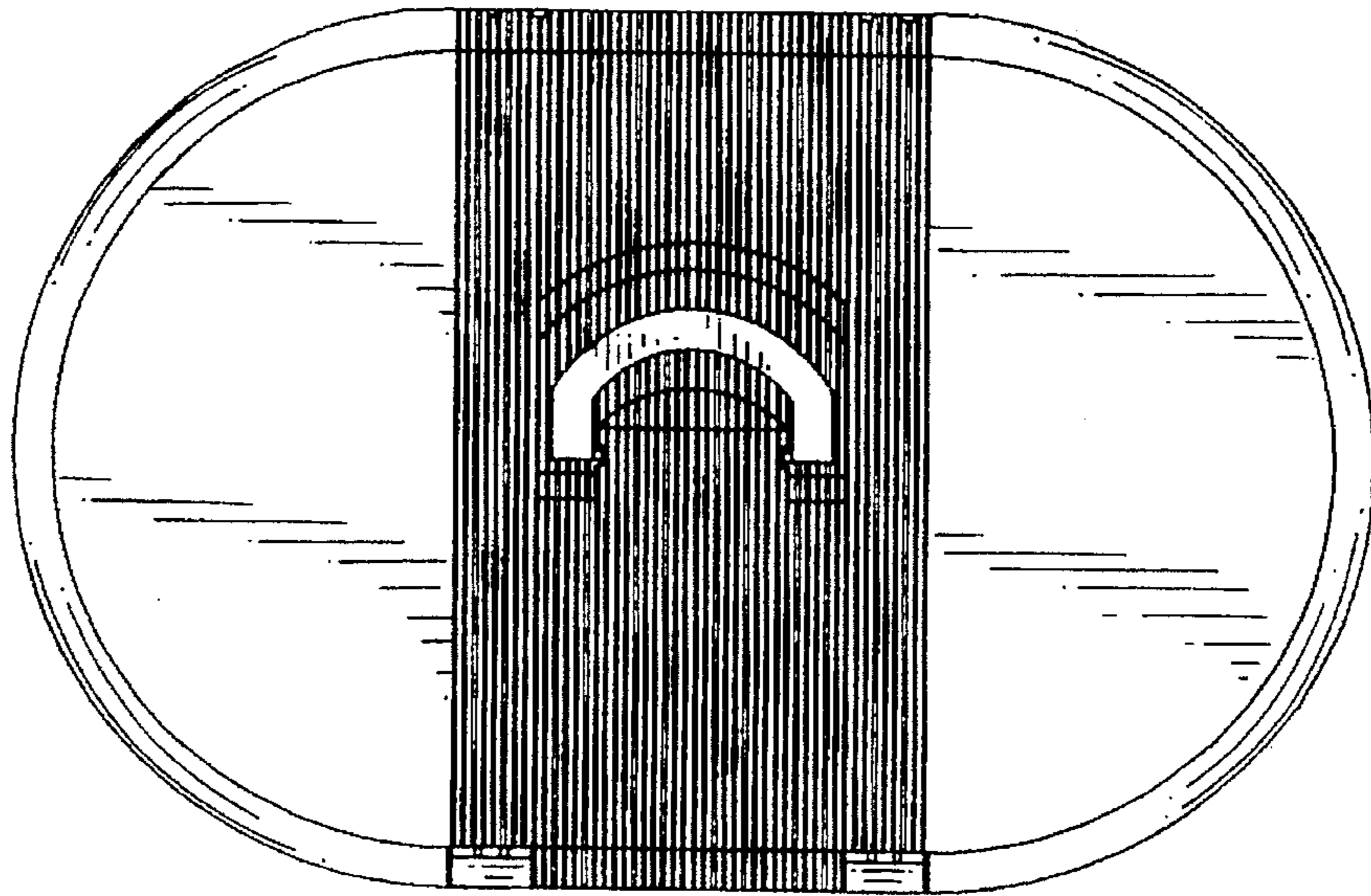


FIG. 3

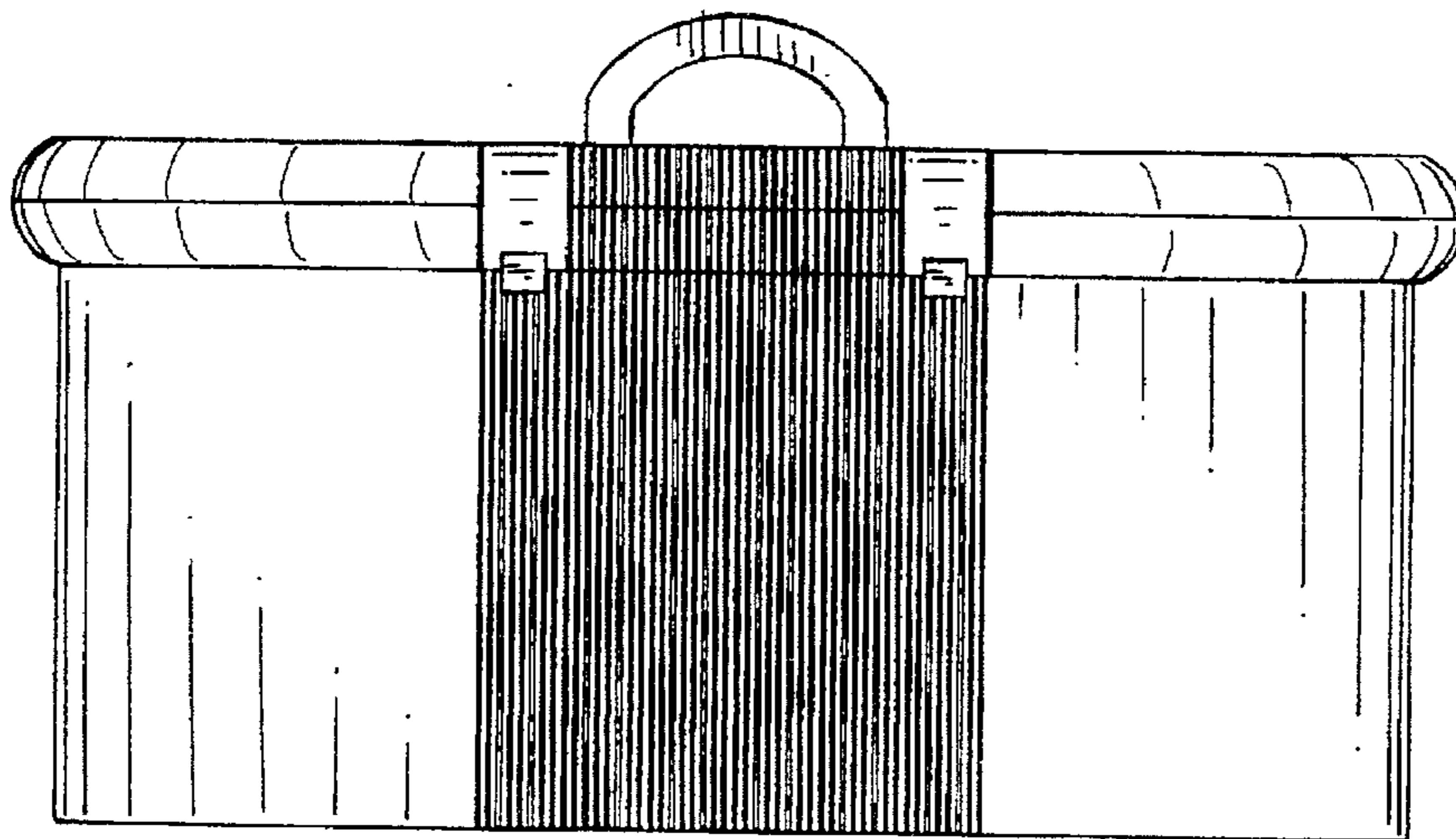


FIG. 4

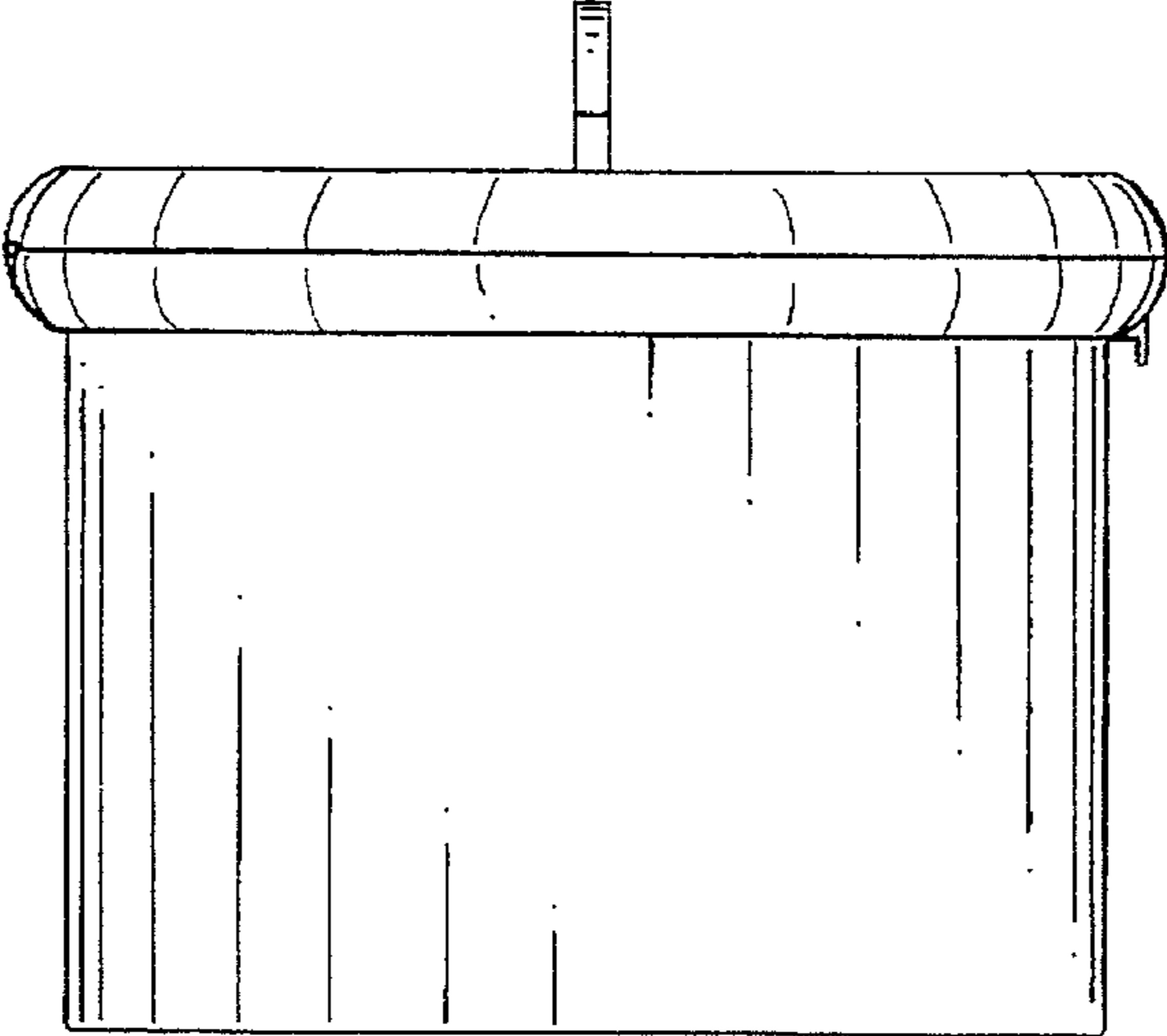


FIG. 5

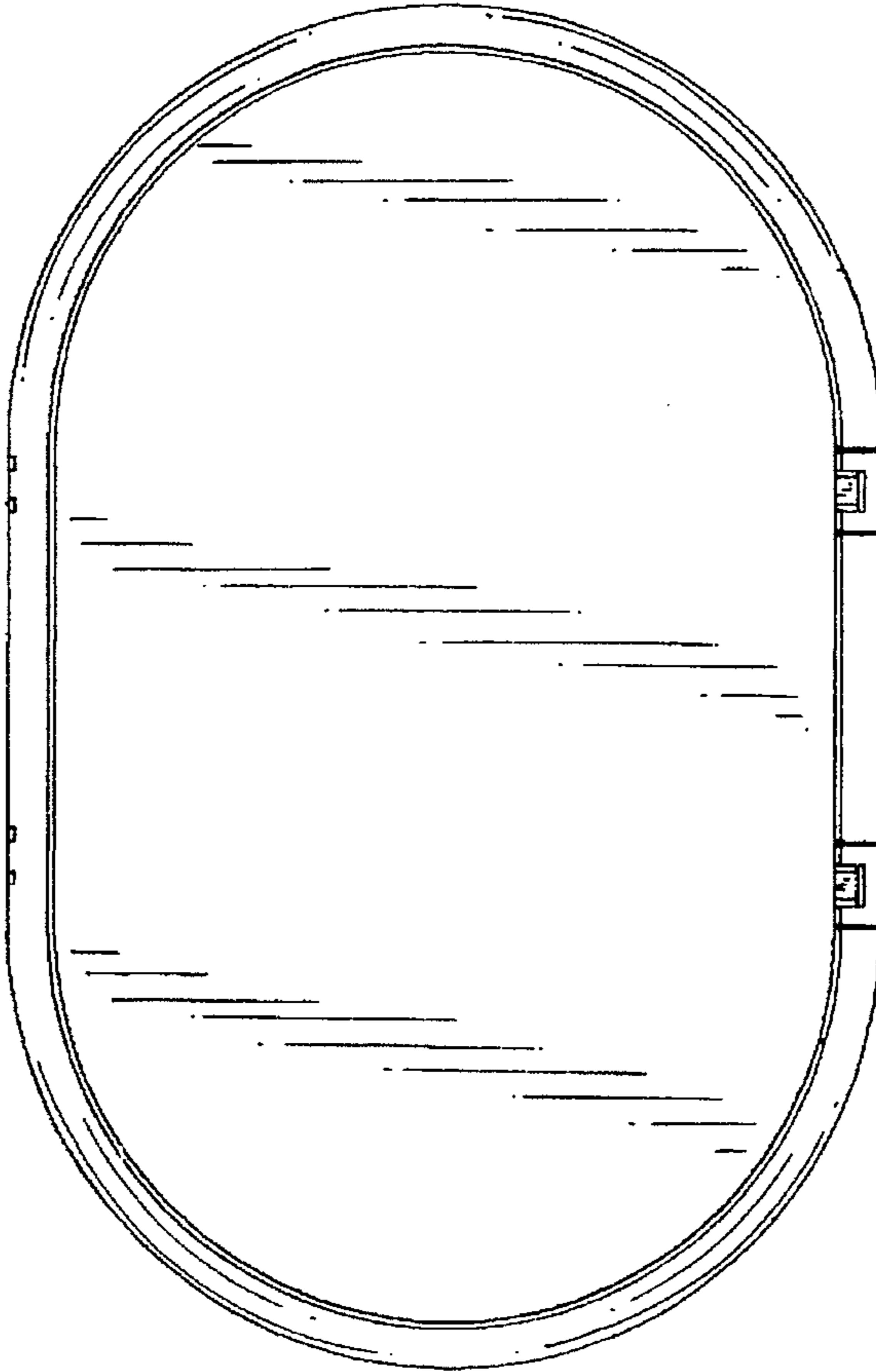


FIG. 6

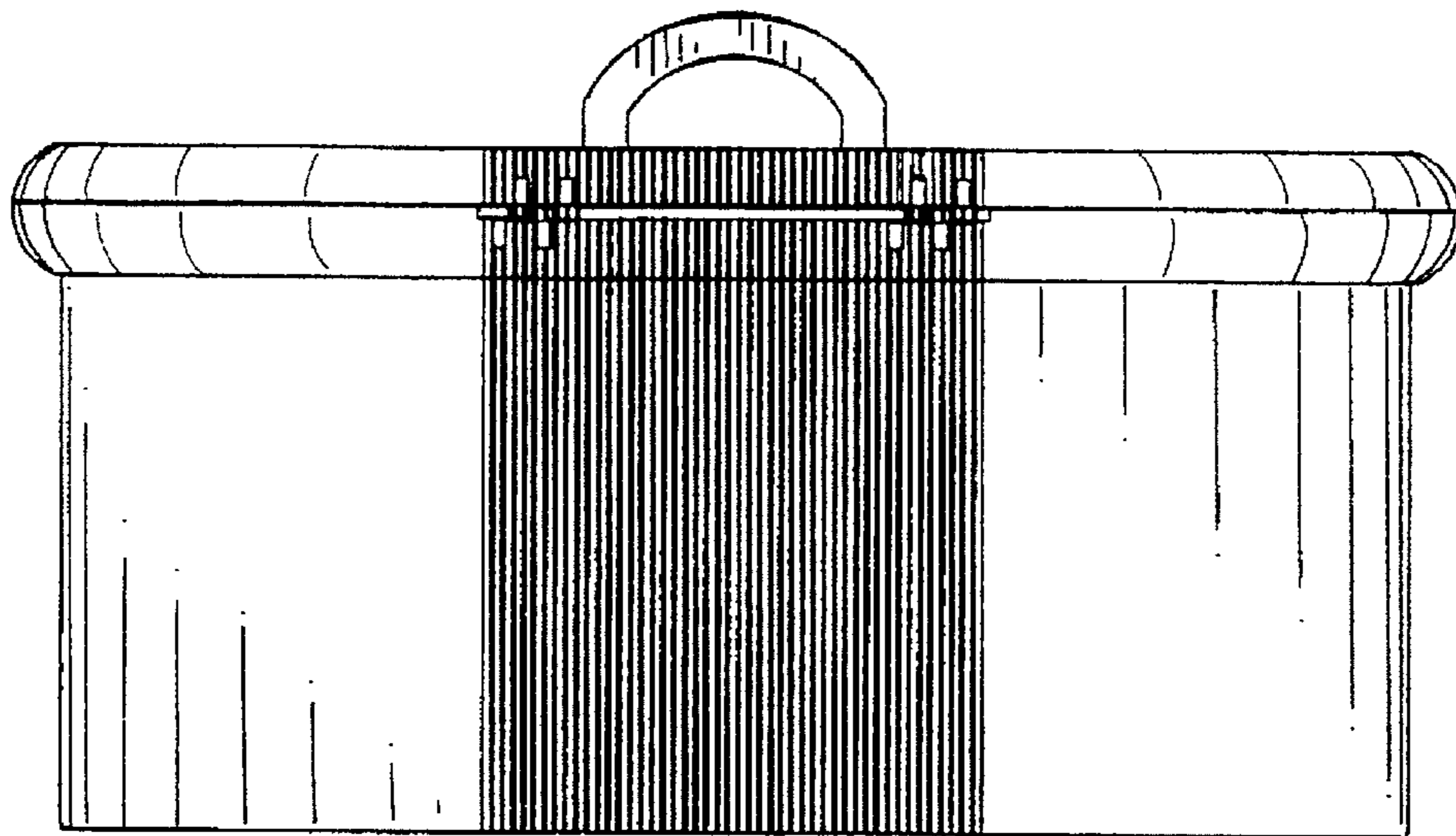


FIG. 7

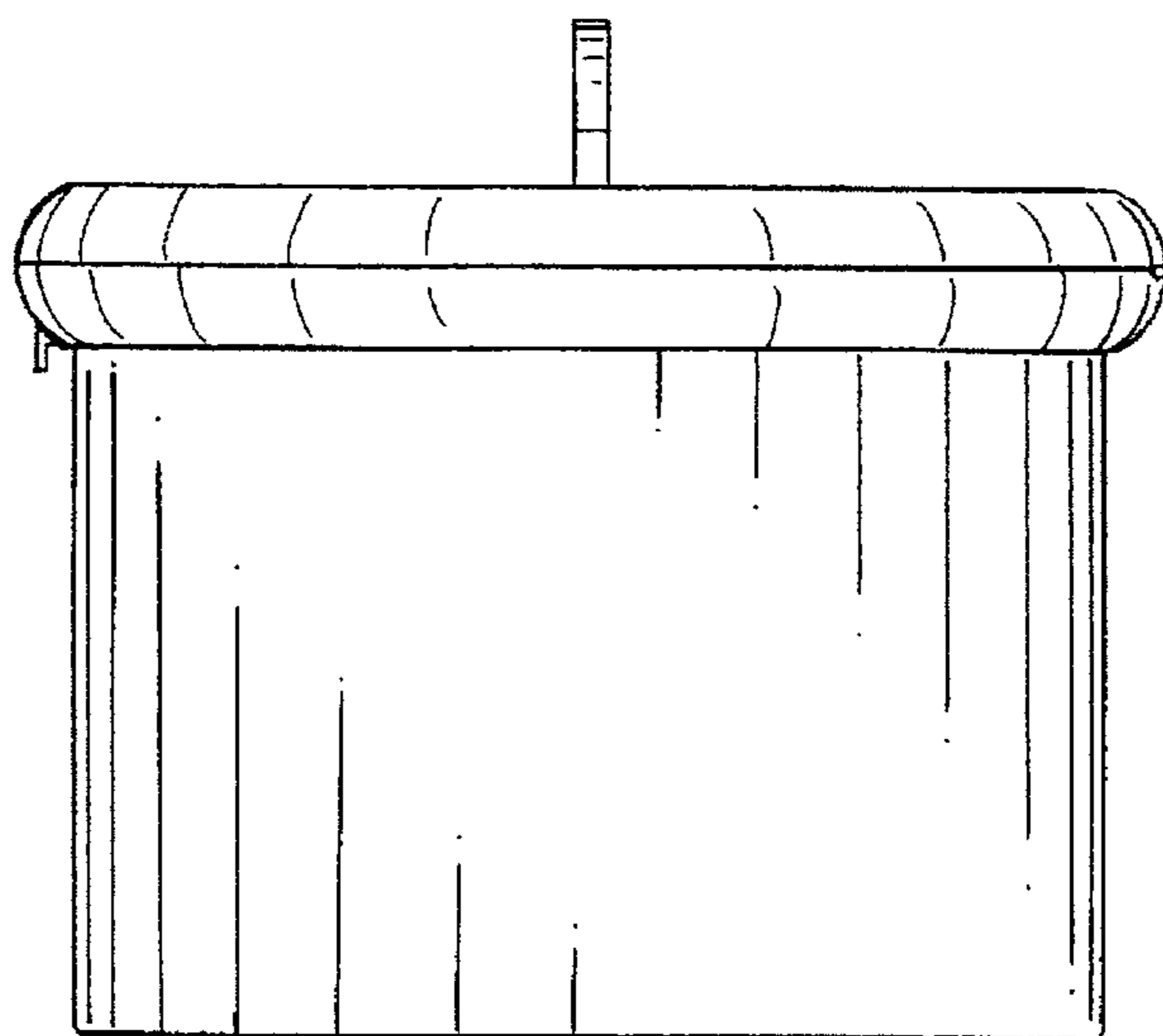


FIG. 8

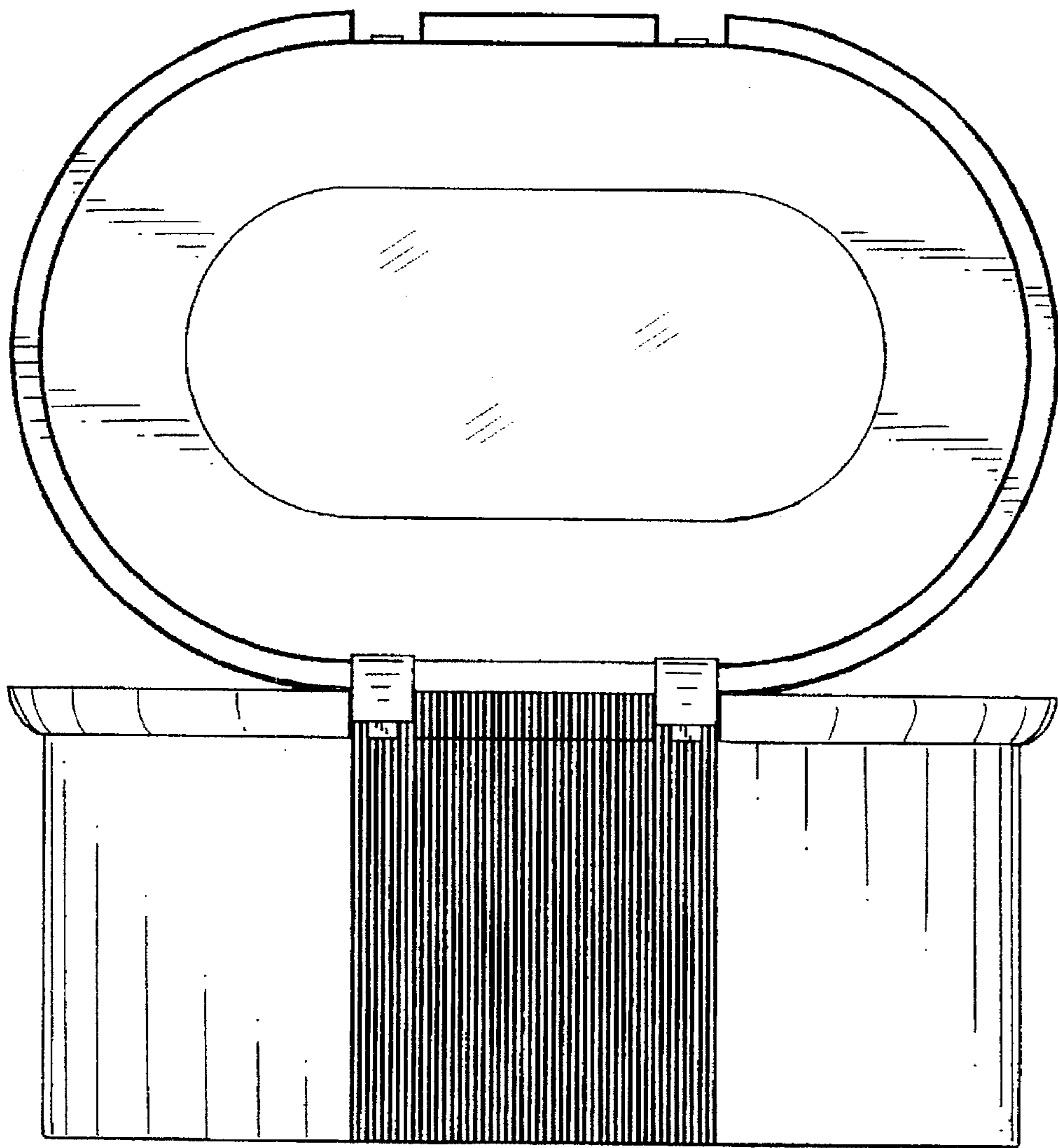


FIG. 9

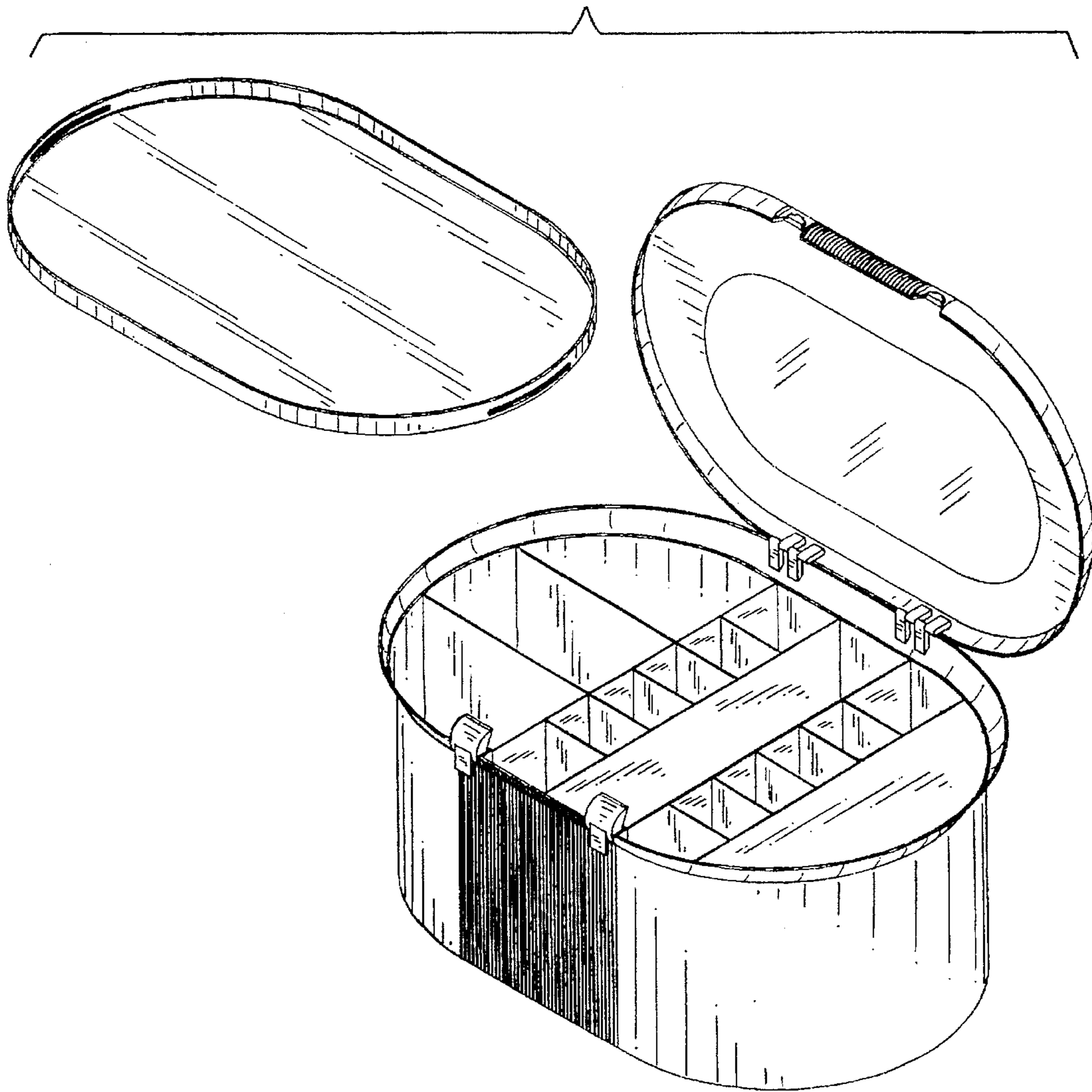


FIG. 10

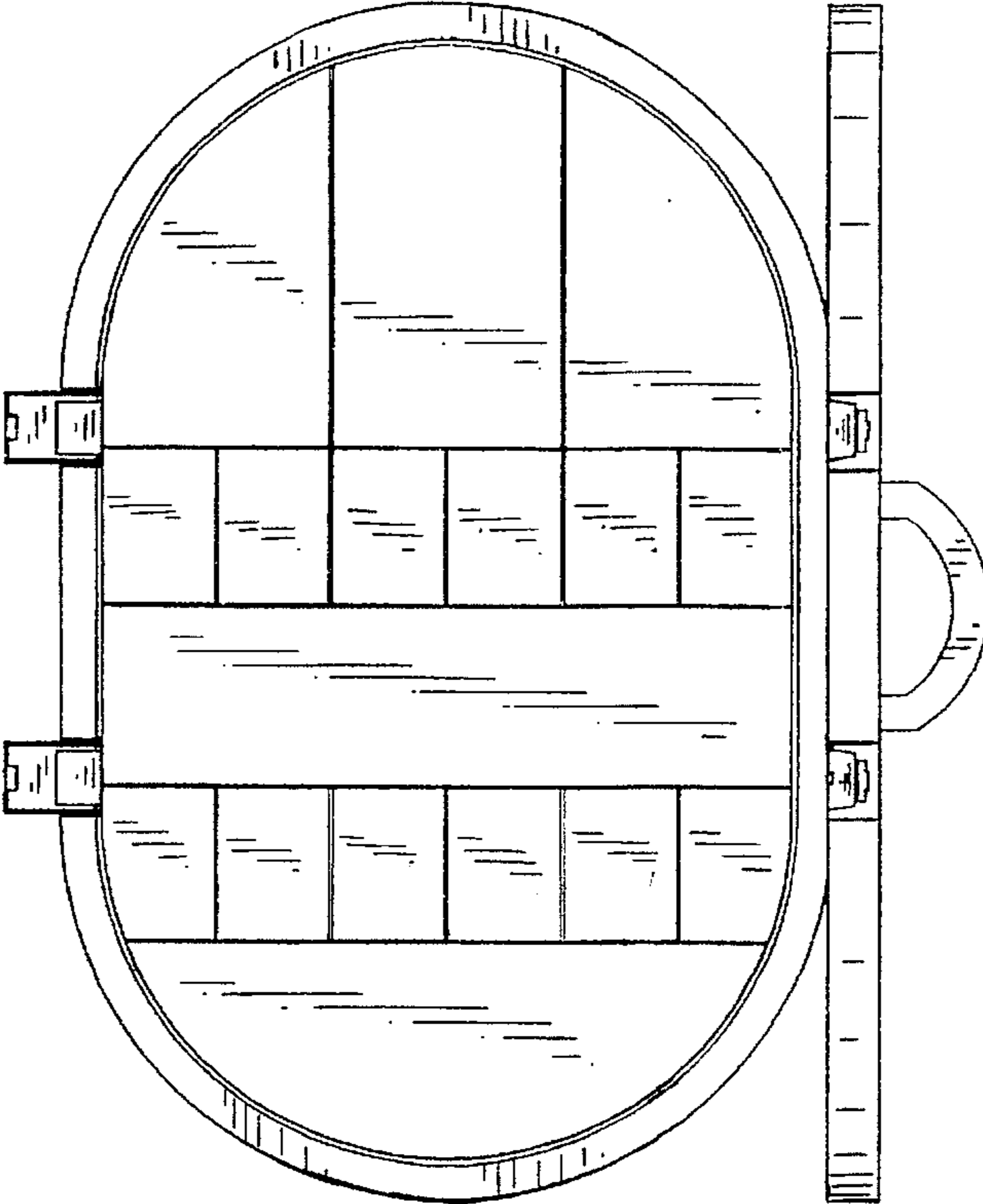


FIG. 11

