



US00D381197S

United States Patent [19]
Green et al.

[11] **Patent Number: Des. 381,197**
[45] **Date of Patent: **Jul. 22, 1997**

[54] **HAT BOX**
[75] Inventors: **Timothy Michael Green**, Fenton;
James Arthur Muir, Ballwin, both of
Mo.
[73] Assignee: **Innoventor Engineering, Inc.**,
Chesterfield, Mo.
[**] Term: **14 Years**
[21] Appl. No.: **53,267**
[22] Filed: **Apr. 18, 1996**
[51] **LOC (6) Cl. 03-01**
[52] **U.S. Cl. D3/201**
[58] **Field of Search D3/201, 276, 290;**
D9/430, 320, 414; 206/213, 243, 8, 278,
9

3,058,578 10/1962 Struble 206/8
3,621,988 11/1971 Songer et al. 206/8
5,022,515 6/1991 Agostine 206/8

Primary Examiner—Prabhakar G. Deshmukh
Attorney, Agent, or Firm—Armstrong, Teasdale, Schlafly &
Davis

[57] **CLAIM**

The ornamental design for a hat box, as shown and
described.

DESCRIPTION

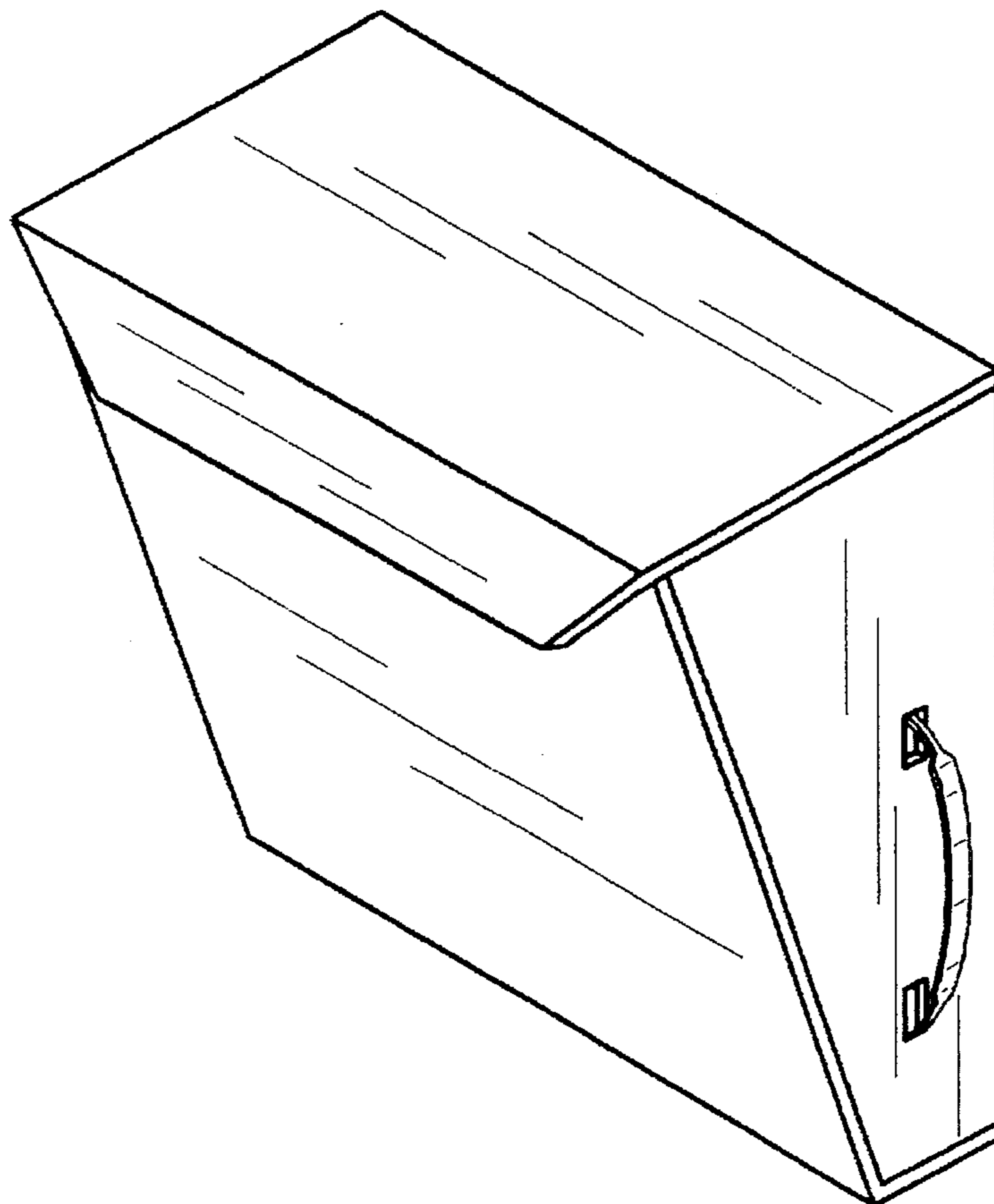
FIG. 1 is perspective view of a hat box showing our new
design;
FIG. 2 is a top plan view thereof; shown in an unfolded
condition and without handle for ease of illustration;
FIG. 3 is a top plan view thereof;
FIG. 4 is a bottom plan view thereof;
FIG. 5 is a left side elevational view thereof;
FIG. 6 is a right side elevational view thereof;
FIG. 7 is a front elevational view thereof; and,
FIG. 8 is rear elevational view thereof.
The dash lines in FIG. 2 represents fold lines.

[56] **References Cited**

U.S. PATENT DOCUMENTS

1,524,757 2/1925 Sonin 206/8
1,743,838 1/1930 Walinsky 206/8
2,343,187 2/1944 Kaufman et al. 206/8
2,693,275 11/1954 Smith 206/8

1 Claim, 2 Drawing Sheets



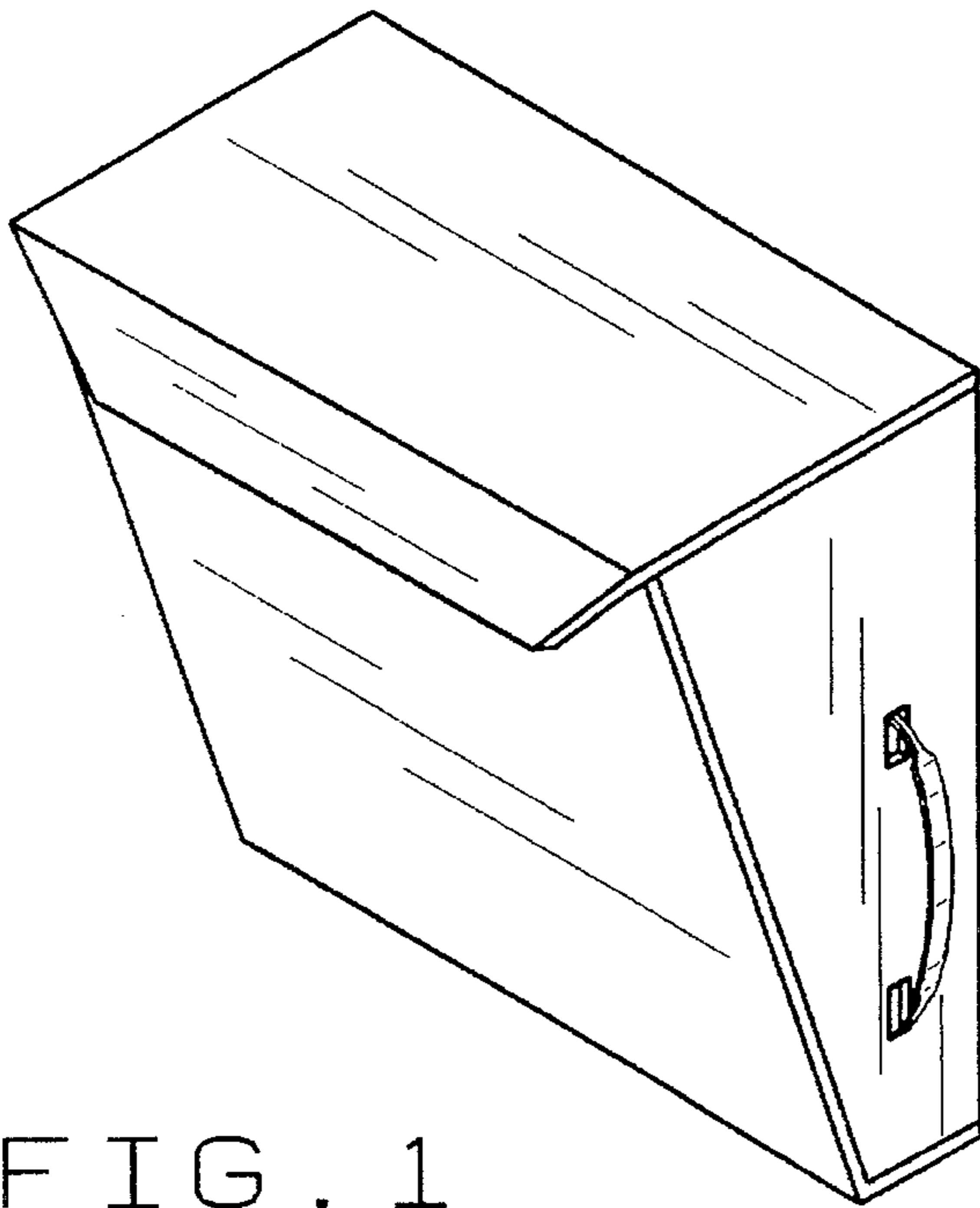


FIG. 1

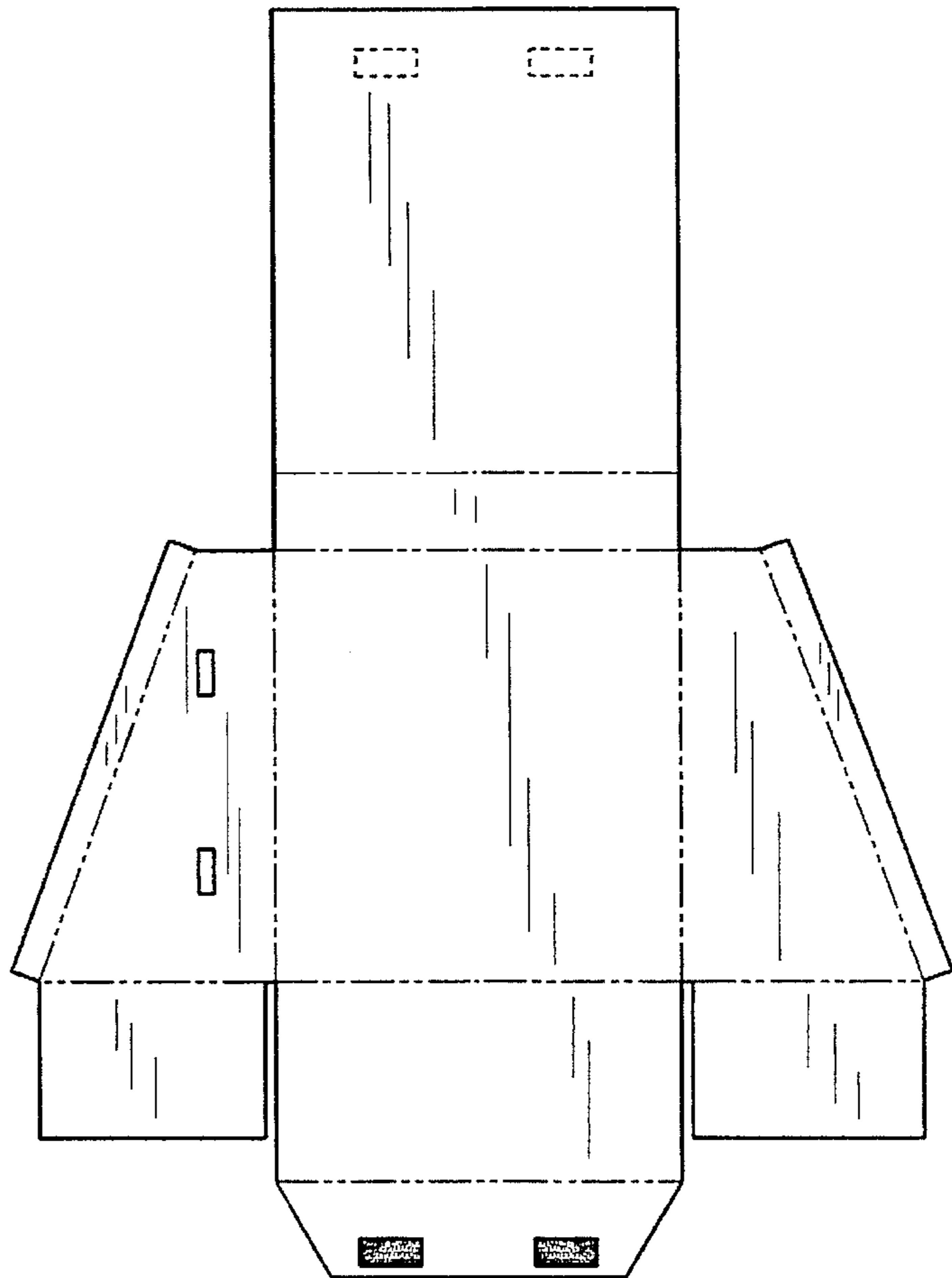


FIG. 2

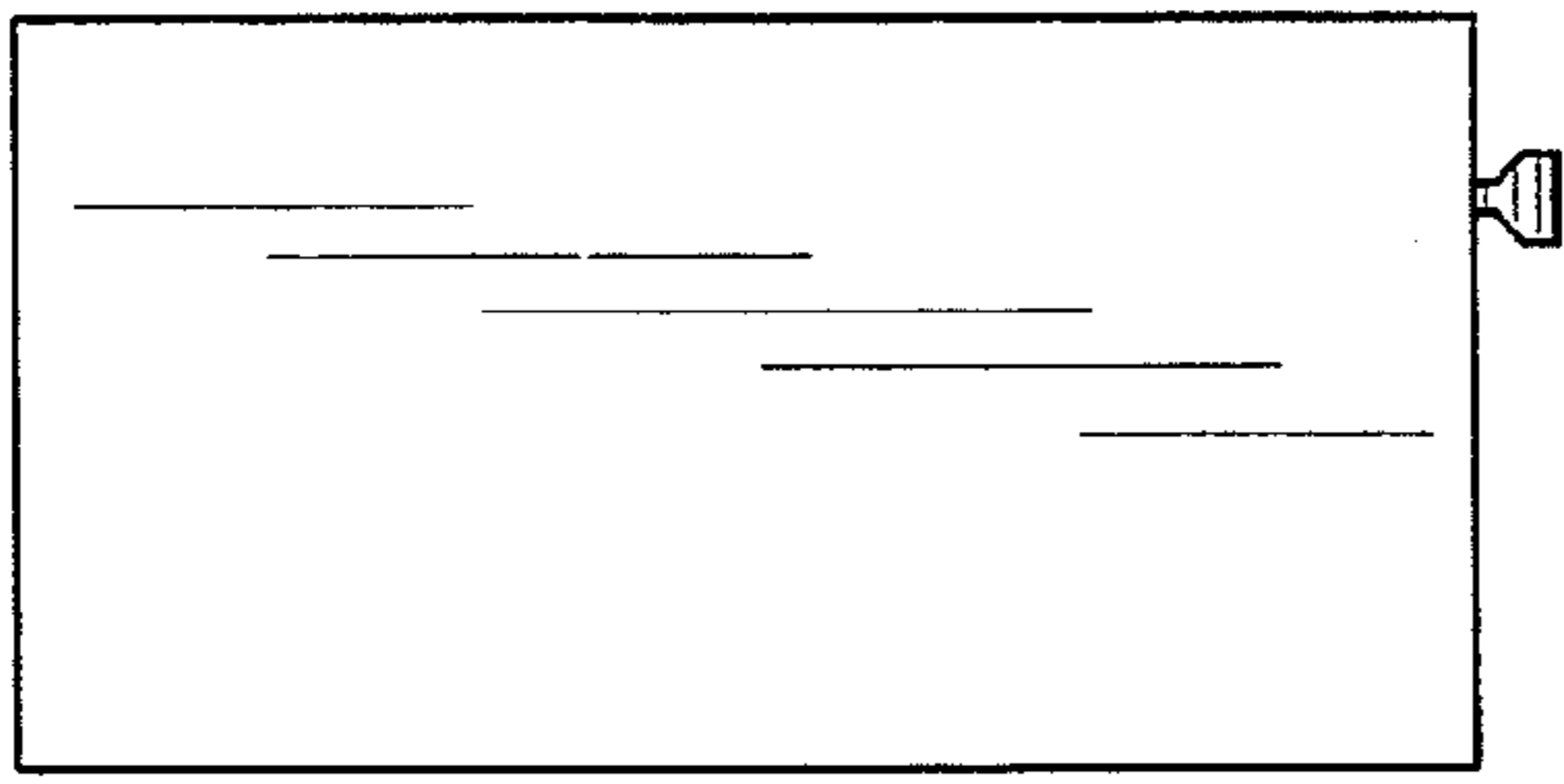


FIG. 3

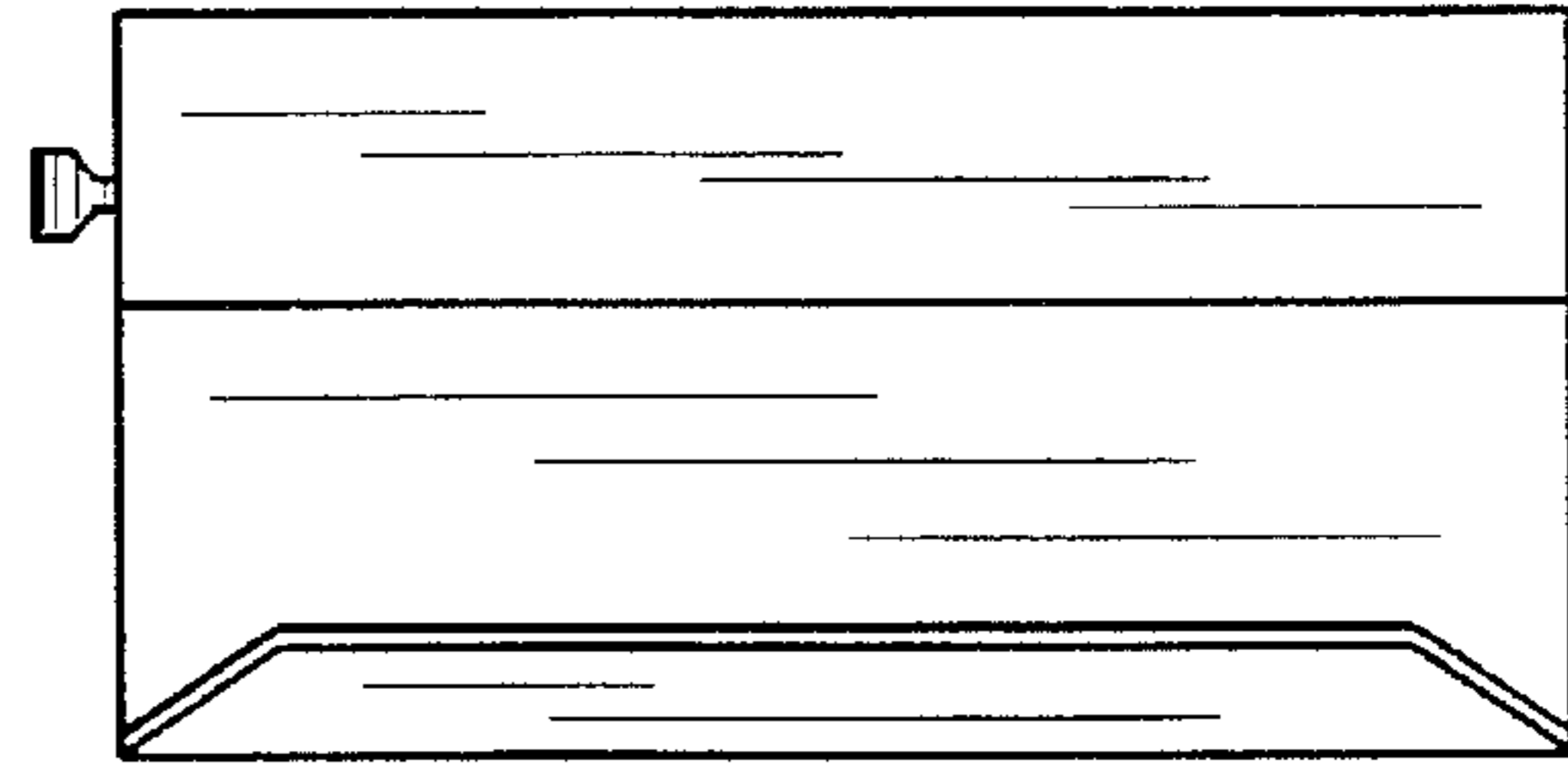


FIG. 4

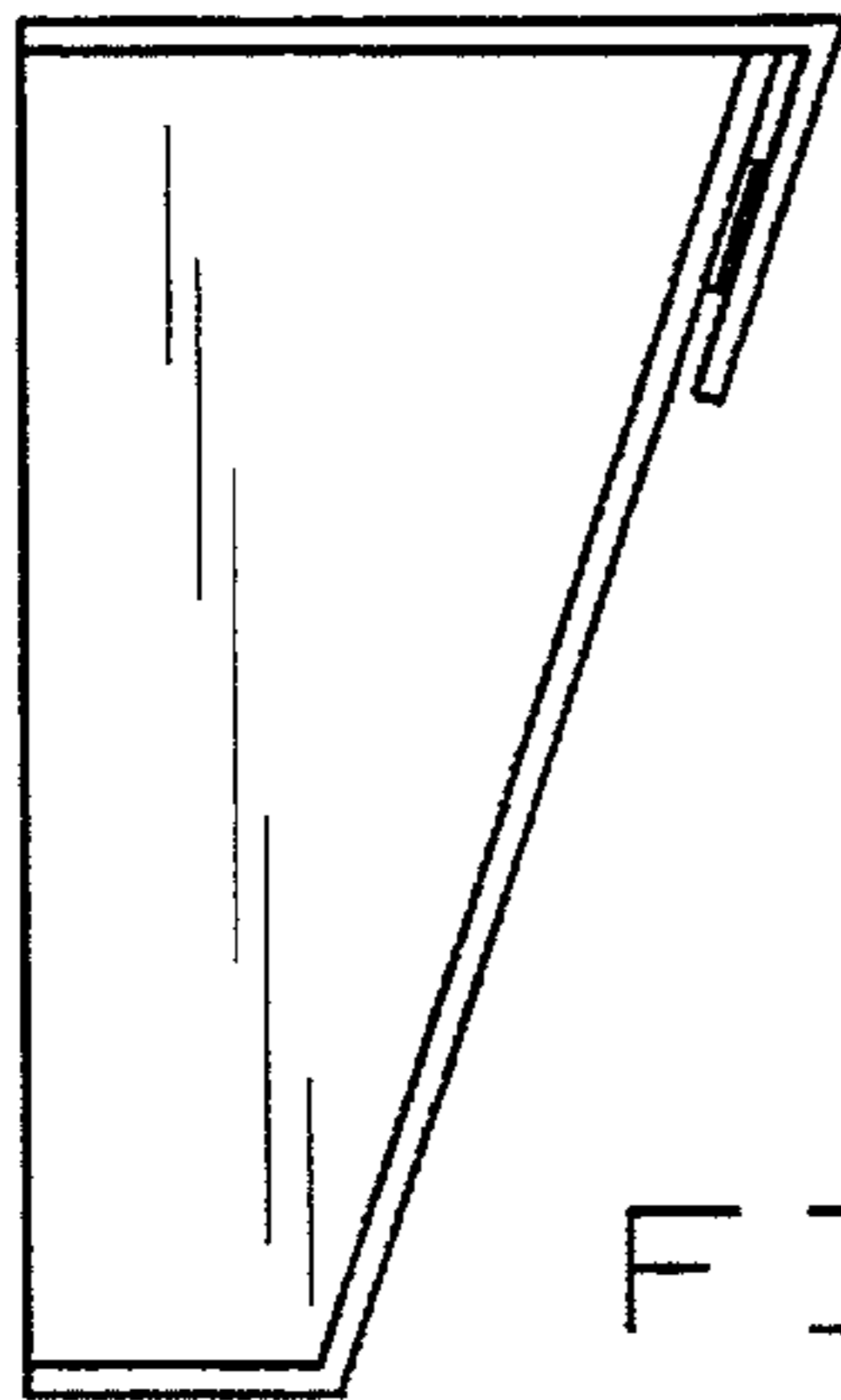


FIG. 5

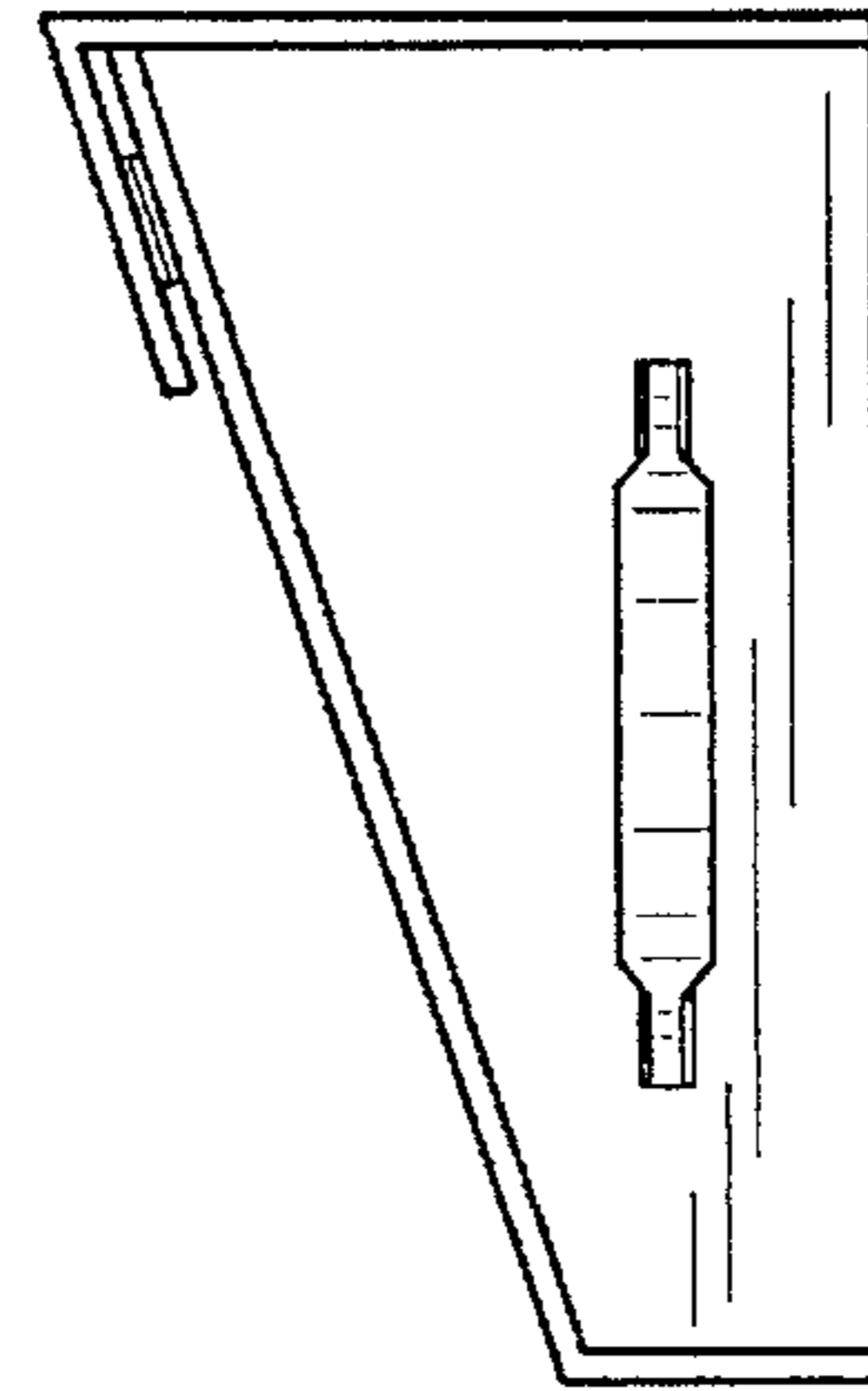


FIG. 6

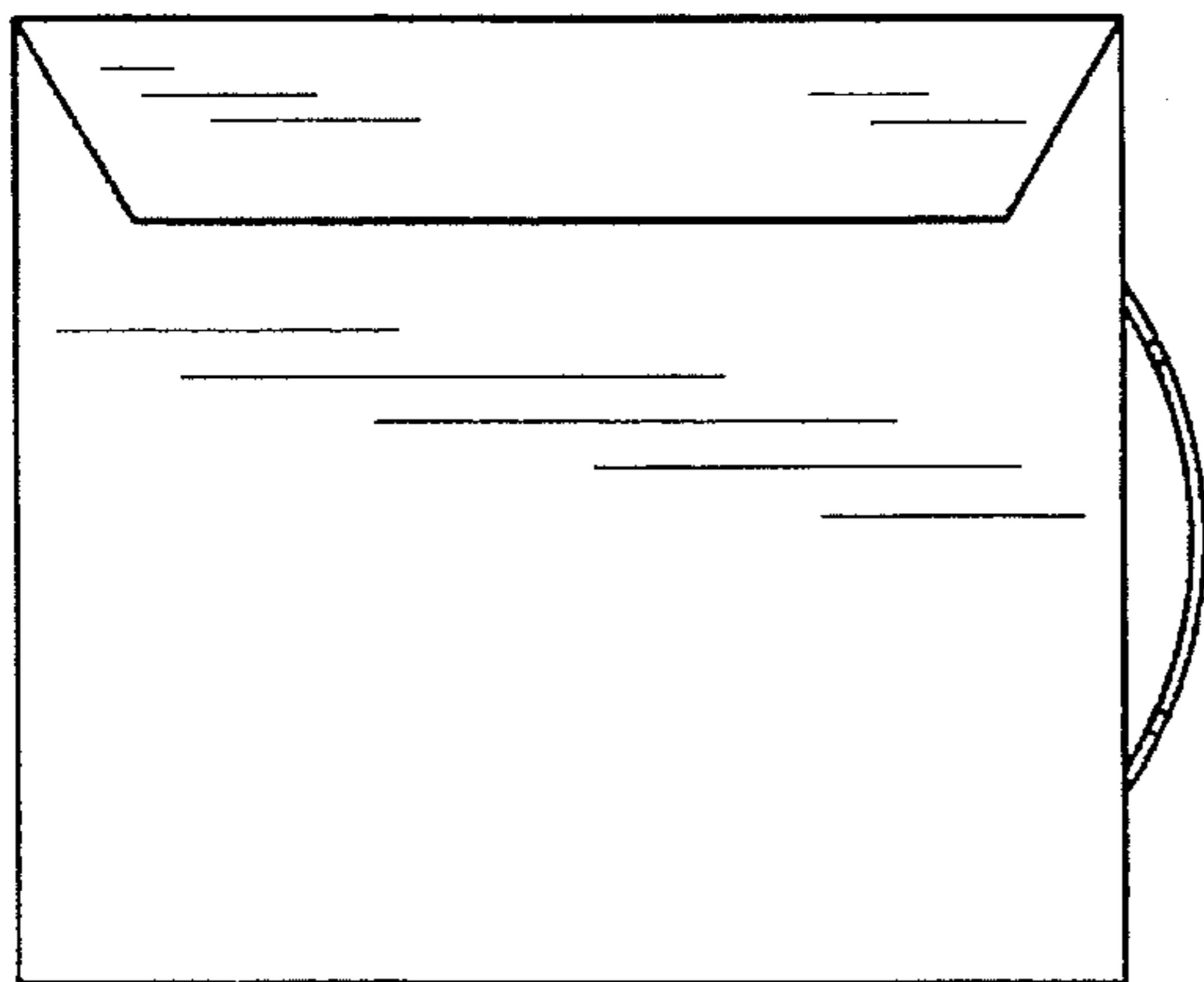


FIG. 7

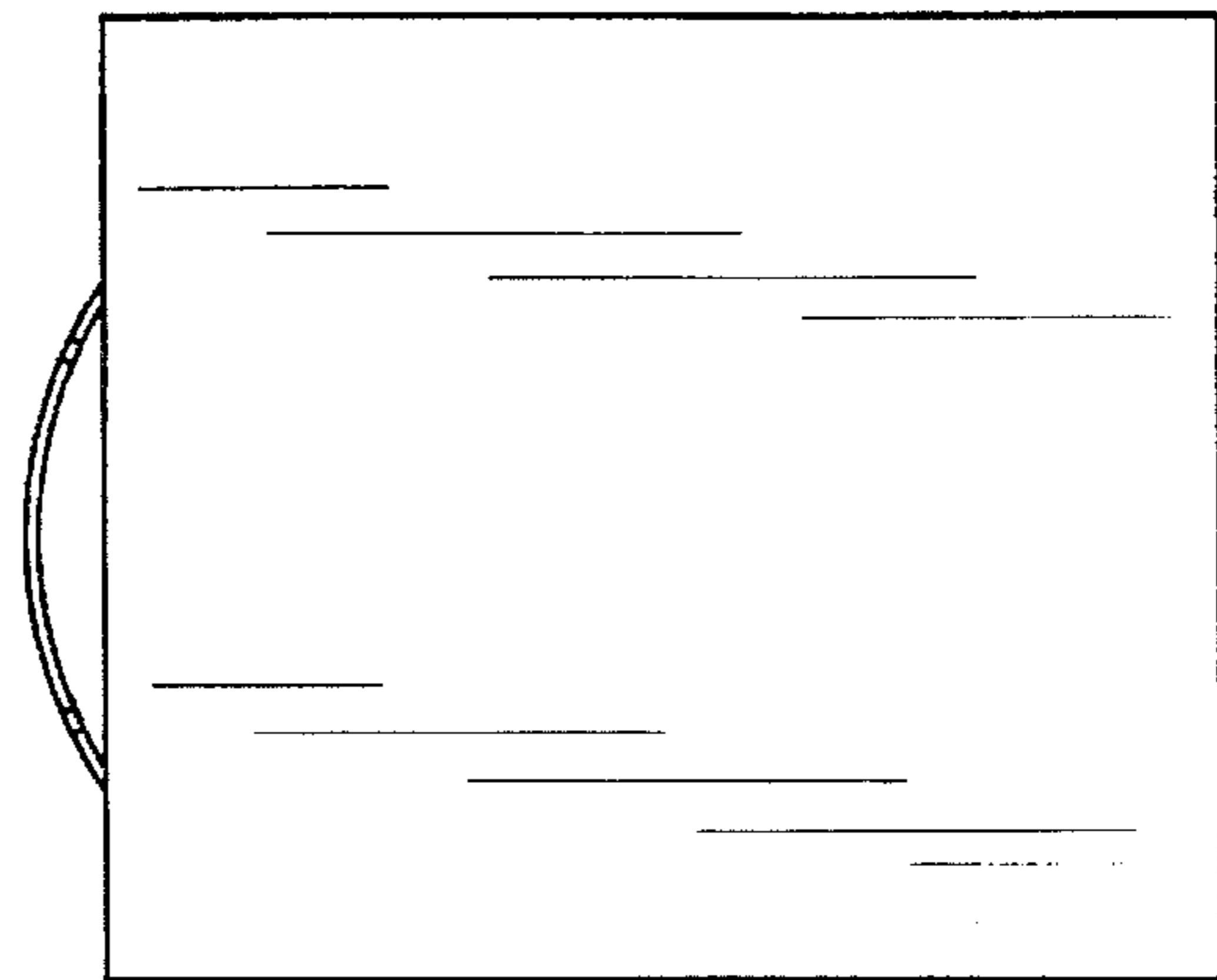


FIG. 8