



US00D381187S

# United States Patent [19]

Butler et al.

[11] Patent Number: **Des. 381,187**

[45] Date of Patent: **\*\*Jul. 22, 1997**

[54] **SLEEVE PROTECTOR**

[76] Inventors: **Terry L. Butler; Angel Y. Butler**, both of 8108 Tom Sawyer Dr., Tampa, Fla. 33637

[\*\*] Term: **14 Years**

[21] Appl. No.: **47,740**

[22] Filed: **Dec. 12, 1995**

[51] LOC (6) Cl. .... **02-06**

[52] U.S. Cl. .... **D2/610; D2/860**

[58] Field of Search ..... **D2/858, 860, 859, D2/610, 611, 627; 2/16, 59, 60, 62; D29/100, 120**

[56] **References Cited**

**U.S. PATENT DOCUMENTS**

- D. 284,325 6/1986 Birmingham, Jr. et al. .... D2/860 X
- D. 348,971 7/1994 Jones ..... D2/627
- 731,791 6/1903 Krifka ..... D2/860 X

- 1,194,627 8/1916 Hill ..... 2/59
- 1,774,069 8/1930 Schultz ..... 2/59
- 2,150,069 3/1939 Koleno ..... D2/860 X

*Primary Examiner*—Paula A. Mortimer  
*Attorney, Agent, or Firm*—Harold H. Dutton, Jr.; W. Charles L. Jamison; Diane F. Liebman

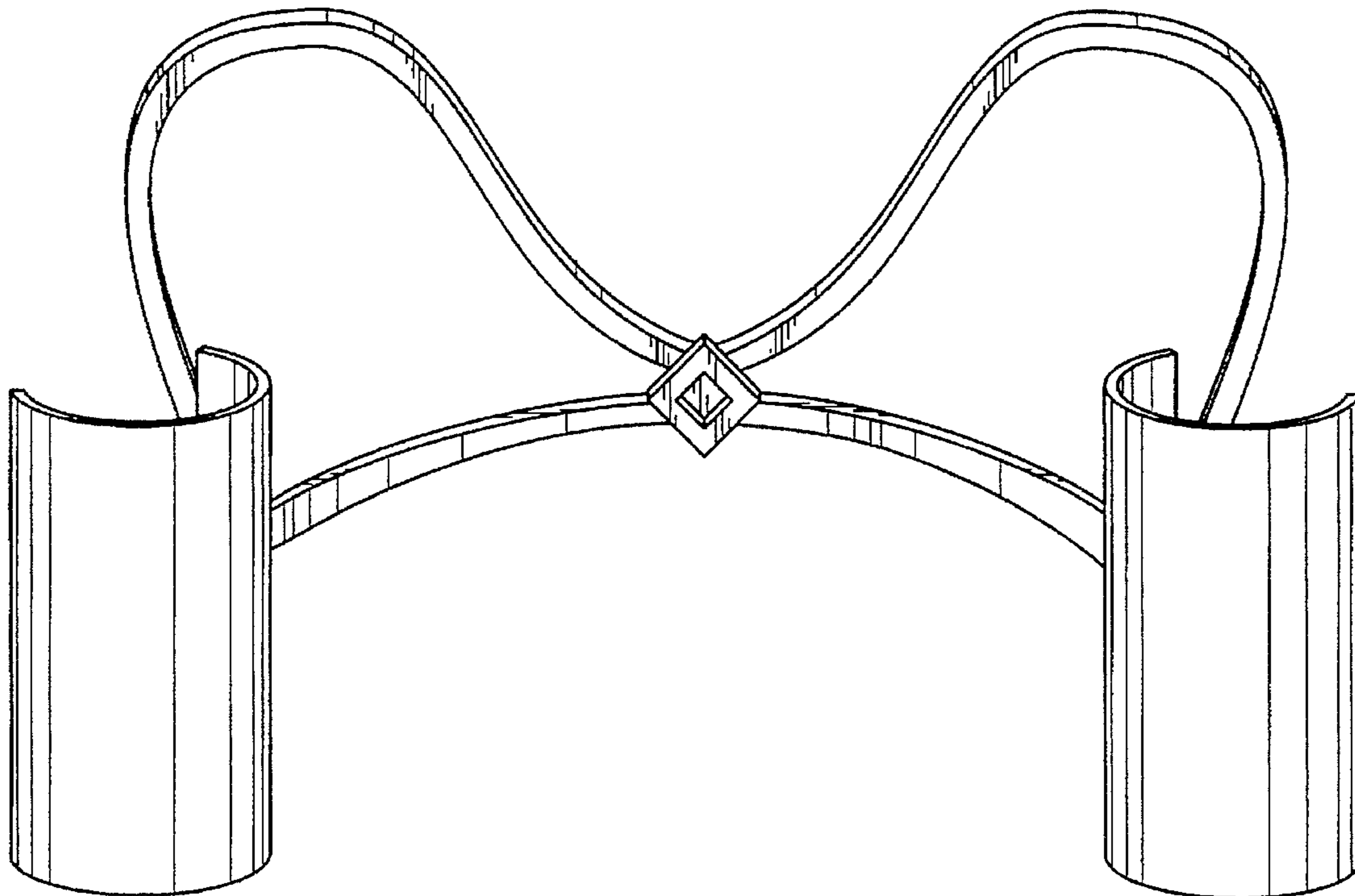
[57] **CLAIM**

The ornamental design for a sleeve protector, as shown and described.

**DESCRIPTION**

FIG. 1 is a perspective view of a sleeve protector showing my new design;  
FIG. 2 is a front view thereof;  
FIG. 3 is a rear view thereof;  
FIG. 4 is a top view thereof, the bottom view is a mirror image thereof;  
FIG. 5 is a right side view thereof; and,  
FIG. 6 is a left side view thereof.

**1 Claim, 3 Drawing Sheets**



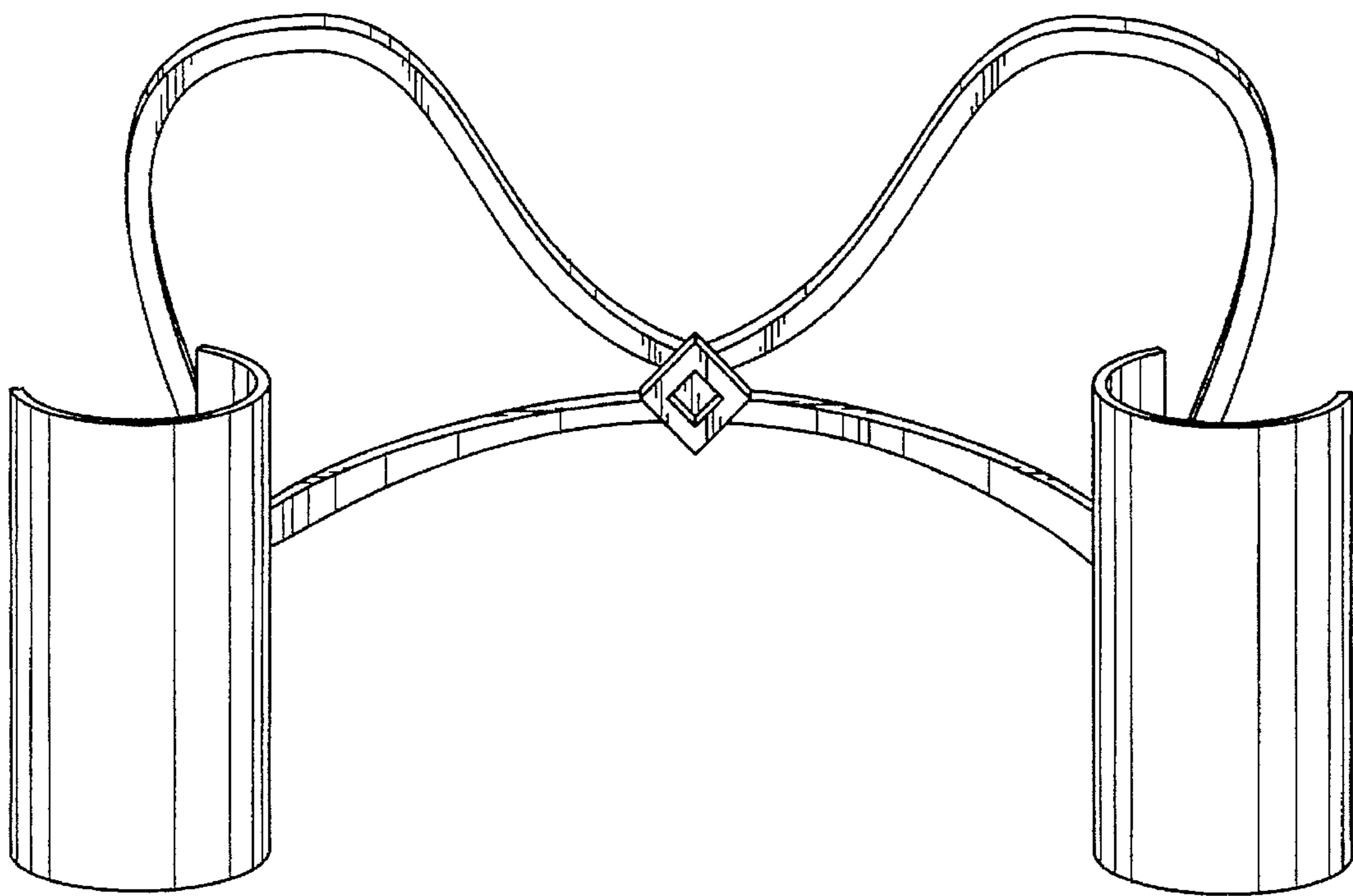


FIG. 1

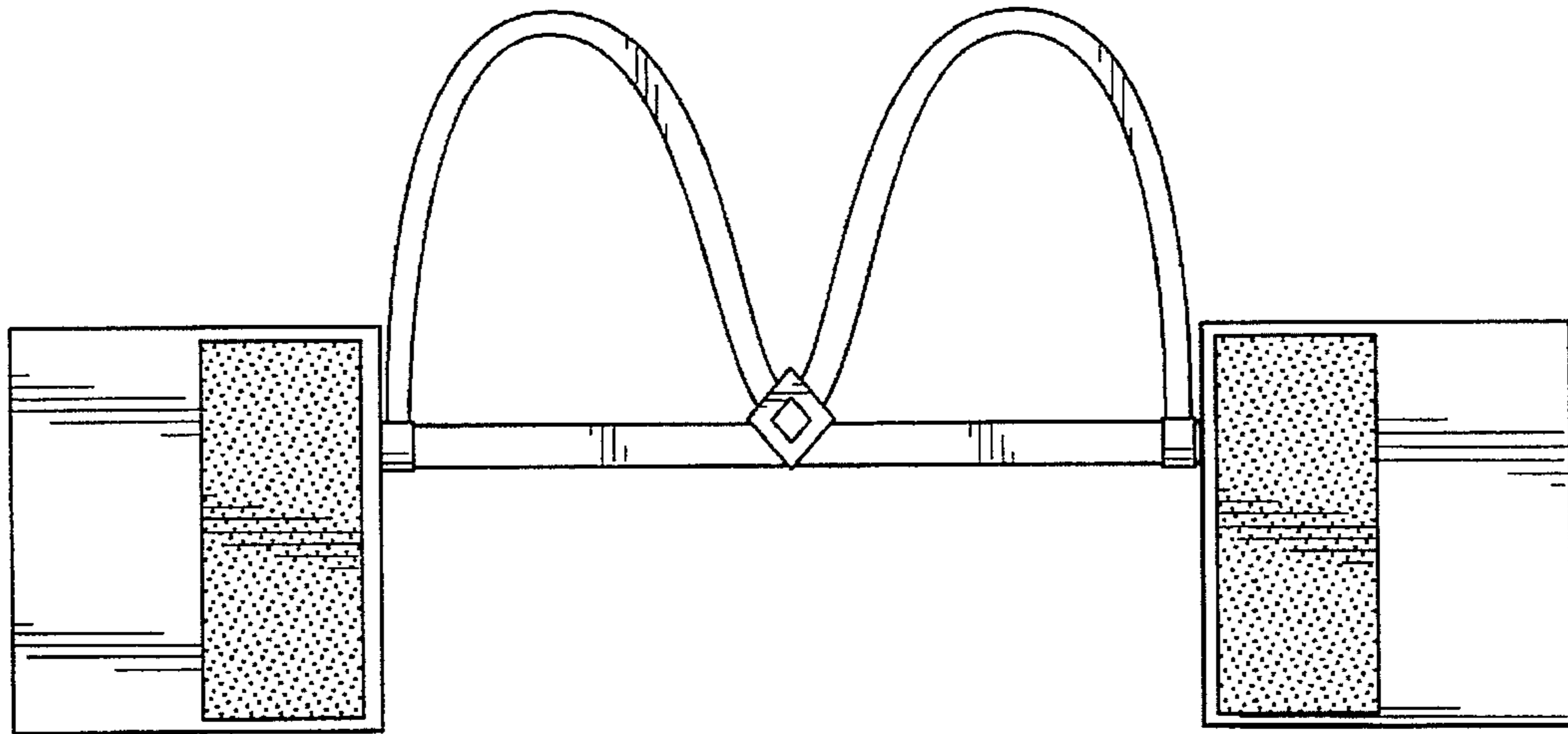


FIG. 2

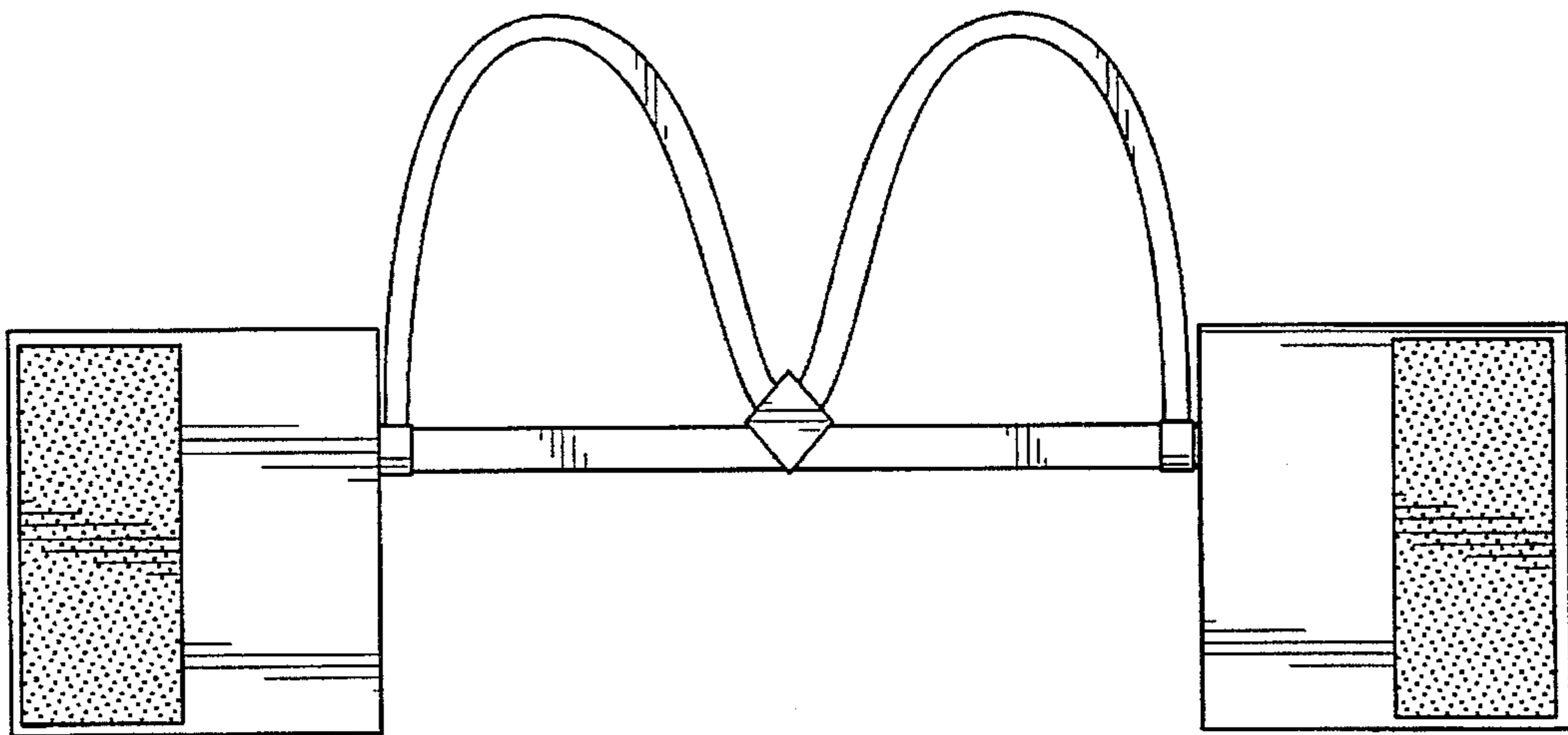


FIG. 3



FIG. 4



FIG. 5



FIG. 6