



US00D381183S

United States Patent [19]

Richitt et al.

[11] Patent Number: **Des. 381,183**

[45] Date of Patent: ****Jul. 15, 1997**

[54] **COMMUNION BREAD DISPENSER**
[76] Inventors: **Samuel Richitt; Grace Richitt**, both of
4239 Trammell Ave., Macon, Ga. 31206

[**] Term: **14 Years**

[21] Appl. No.: **46,104**

[22] Filed: **Nov. 7, 1995**

[51] LOC (6) Cl. **99-00**

[52] U.S. Cl. **D99/25**

[58] Field of Search D99/25, 34, 99;
D7/609; 206/19

3,782,594 1/1974 Langiere, Jr. 221/274
5,046,639 9/1991 Deberry 221/127
5,271,496 12/1993 Cain 206/19 X

Primary Examiner—Doris V. Coles
Attorney, Agent, or Firm—James A. Hudak

[57] CLAIM

The ornamental design for a communion bread dispenser, as shown and described.

DESCRIPTION

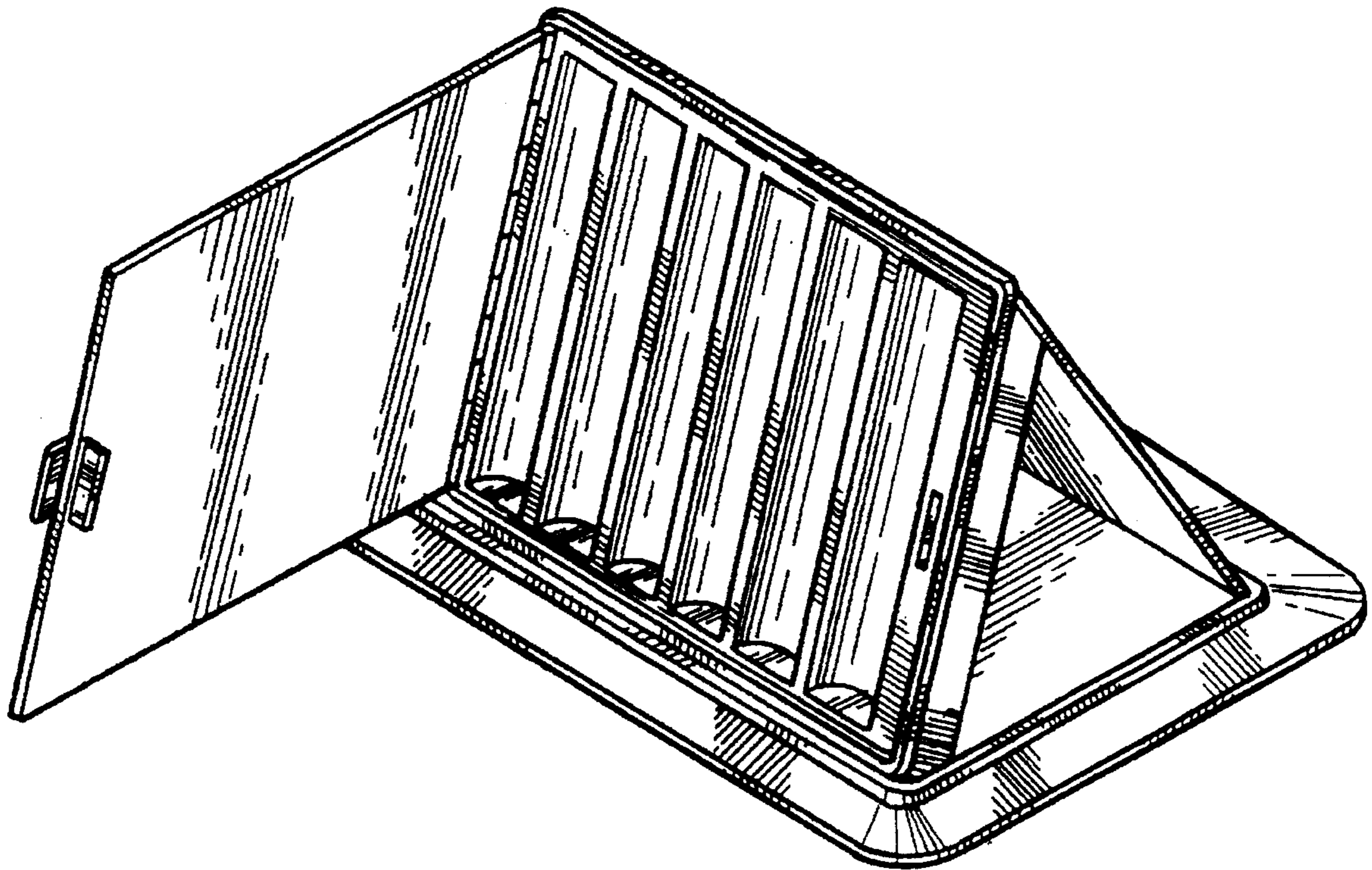
FIG. 1 is a perspective view of the communion bread dispenser showing our new design;
FIG. 2 is a front elevational view thereof in its closed configuration;
FIG. 3 is a rear elevational view thereof;
FIG. 4 is a right side elevational view thereof;
FIG. 5 is a left side elevational view thereof;
FIG. 6 is a top plan view thereof; and,
FIG. 7 is a bottom plan view thereof.

[56] References Cited

U.S. PATENT DOCUMENTS

D. 286,938	11/1986	Povitz	D99/34
655,410	8/1900	Mulkerins	206/19 X
1,179,720	4/1916	Hart, Jr.	D99/34 X
2,397,740	4/1946	Johnshoy	206/19
3,107,467	10/1963	Gates	D99/34 X
3,343,553	9/1967	Whitmore	133/4

1 Claim, 4 Drawing Sheets



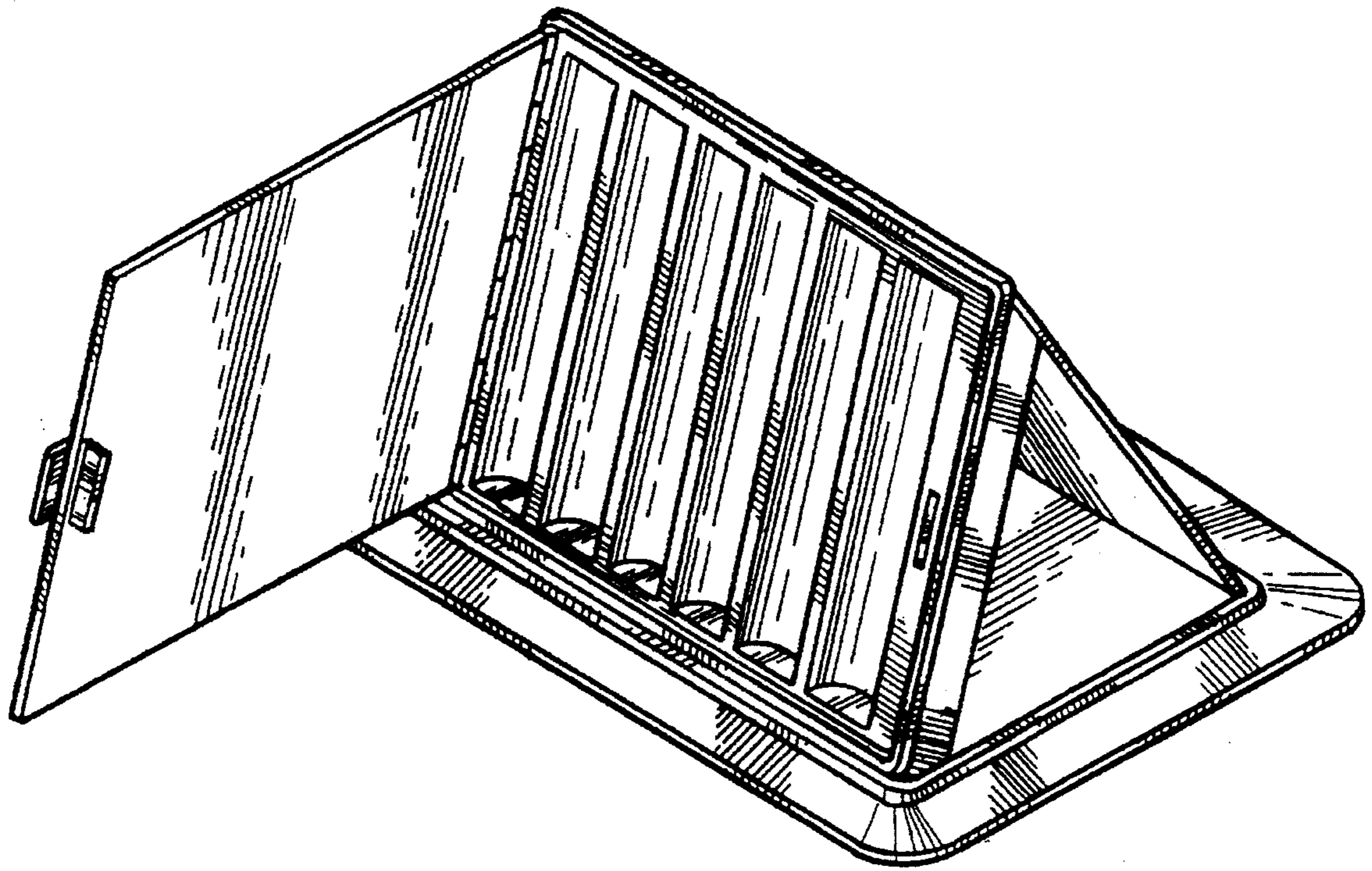


FIG. 1

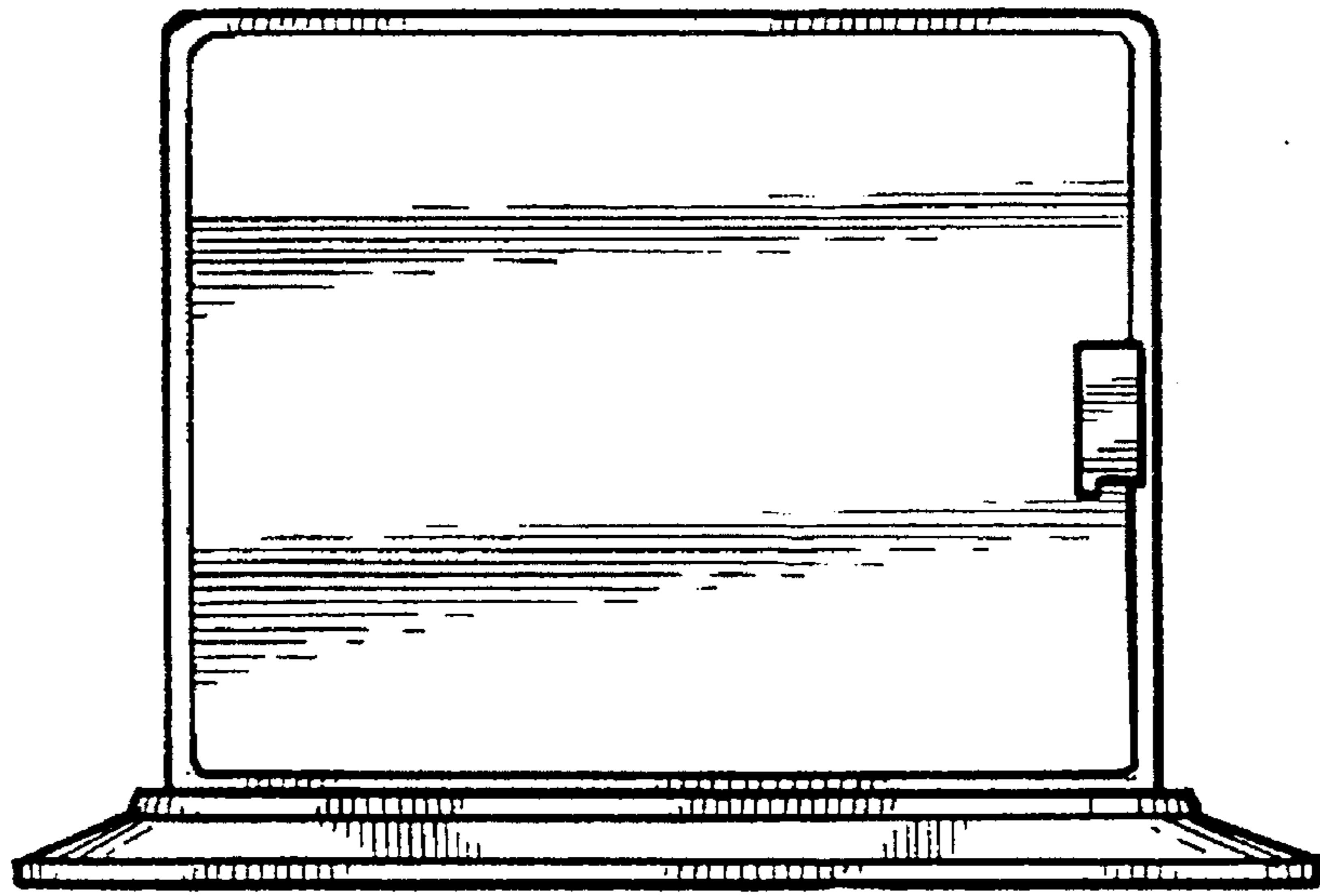


FIG. 2

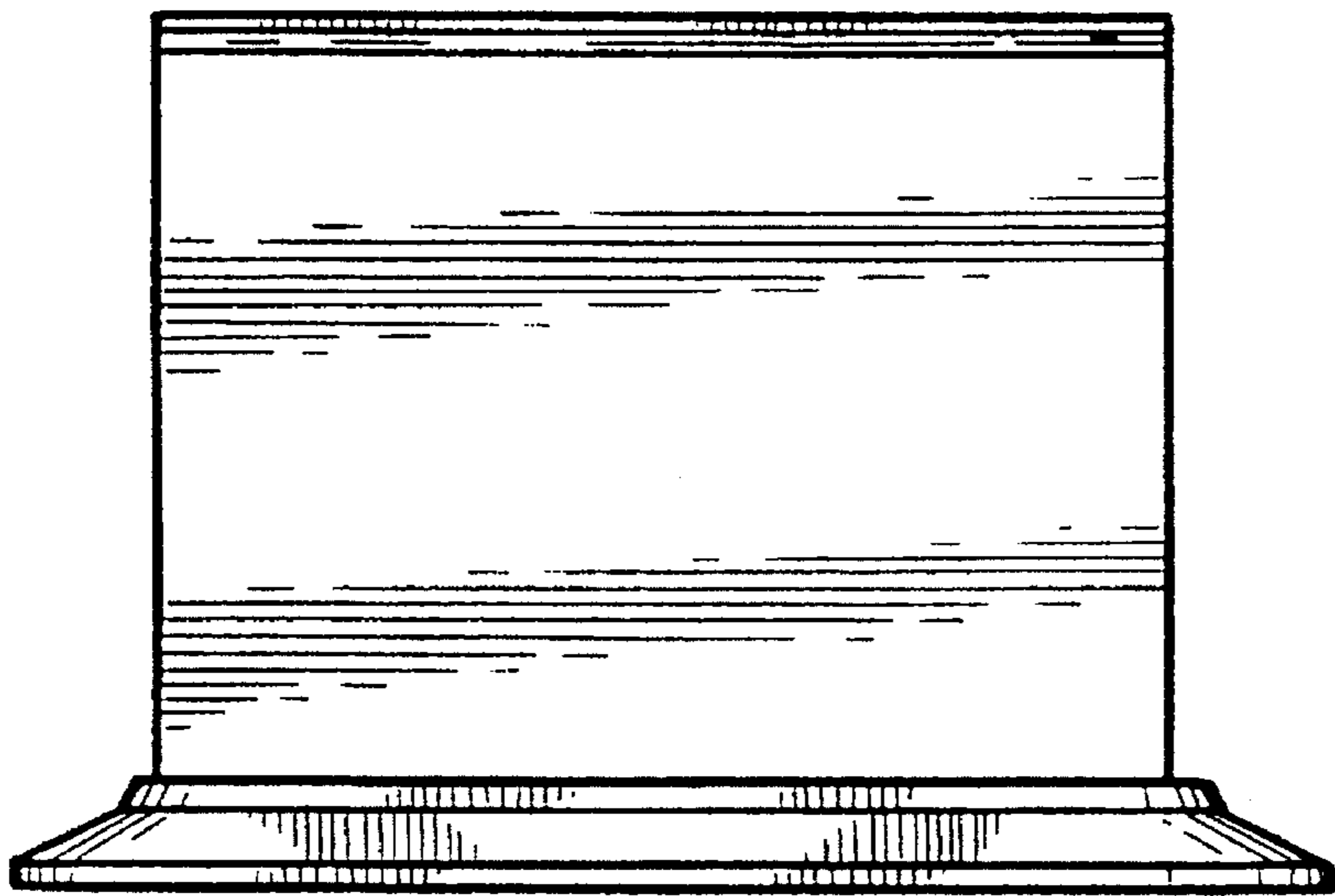


FIG. 3

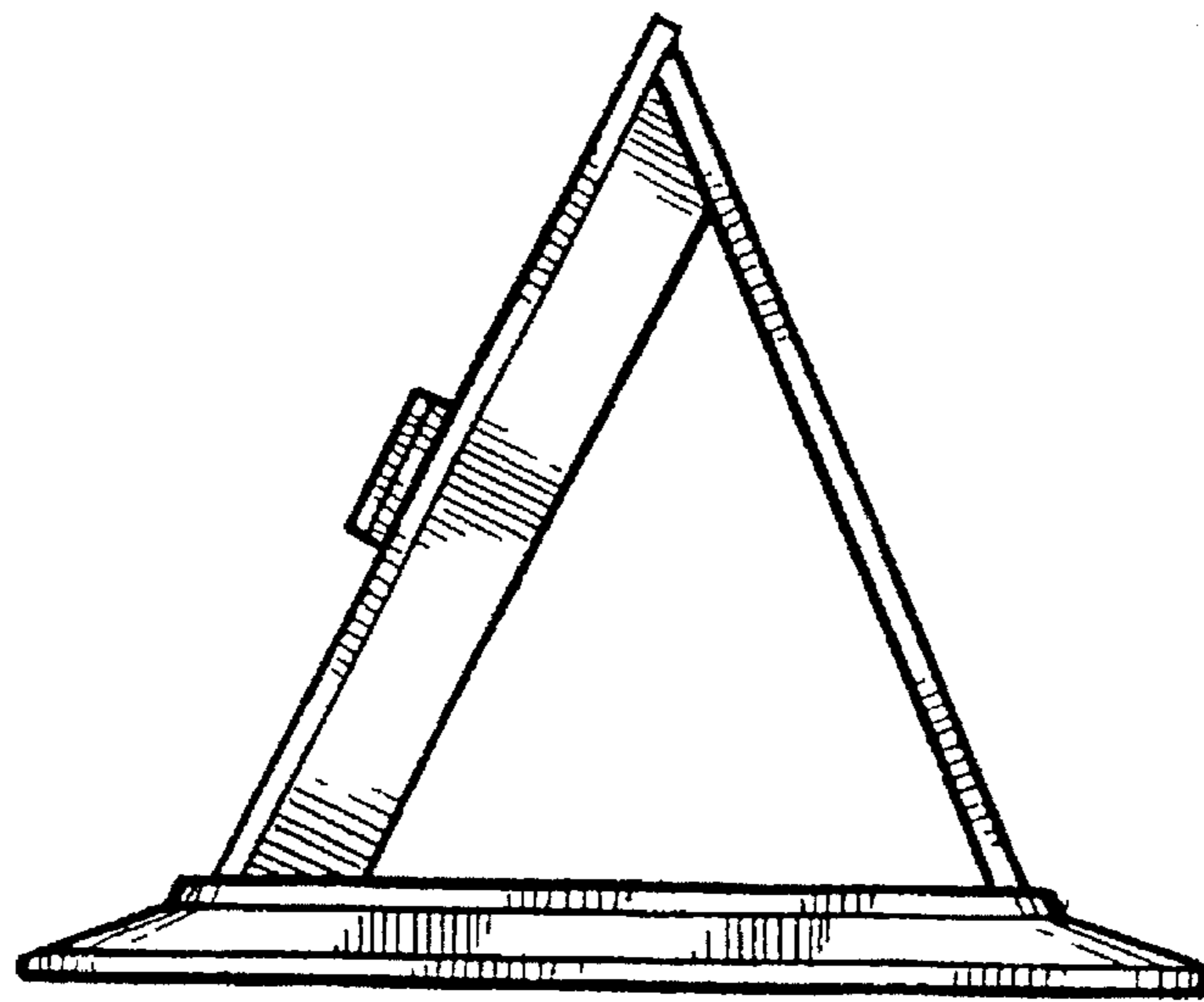


FIG. 4

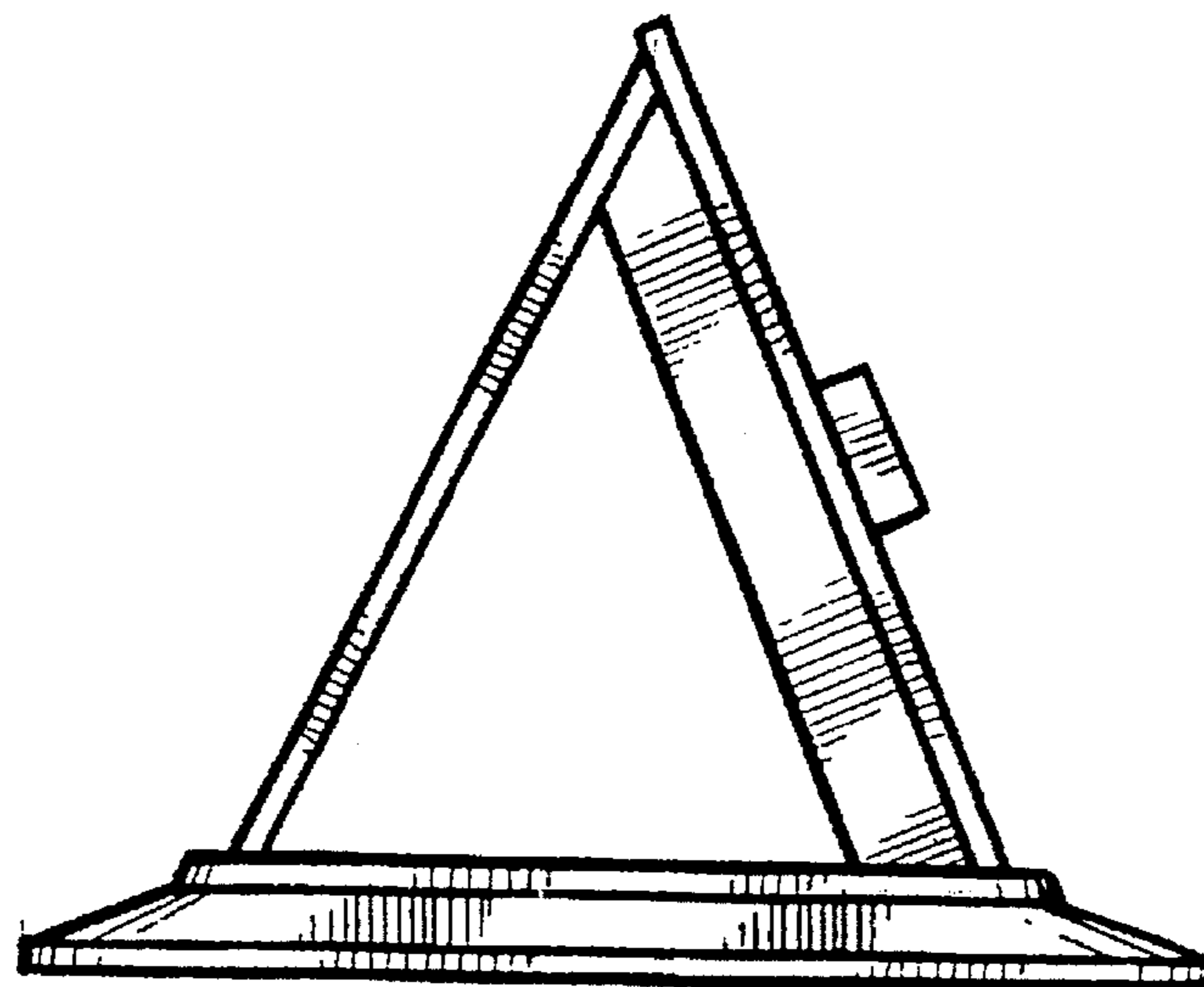


FIG. 5

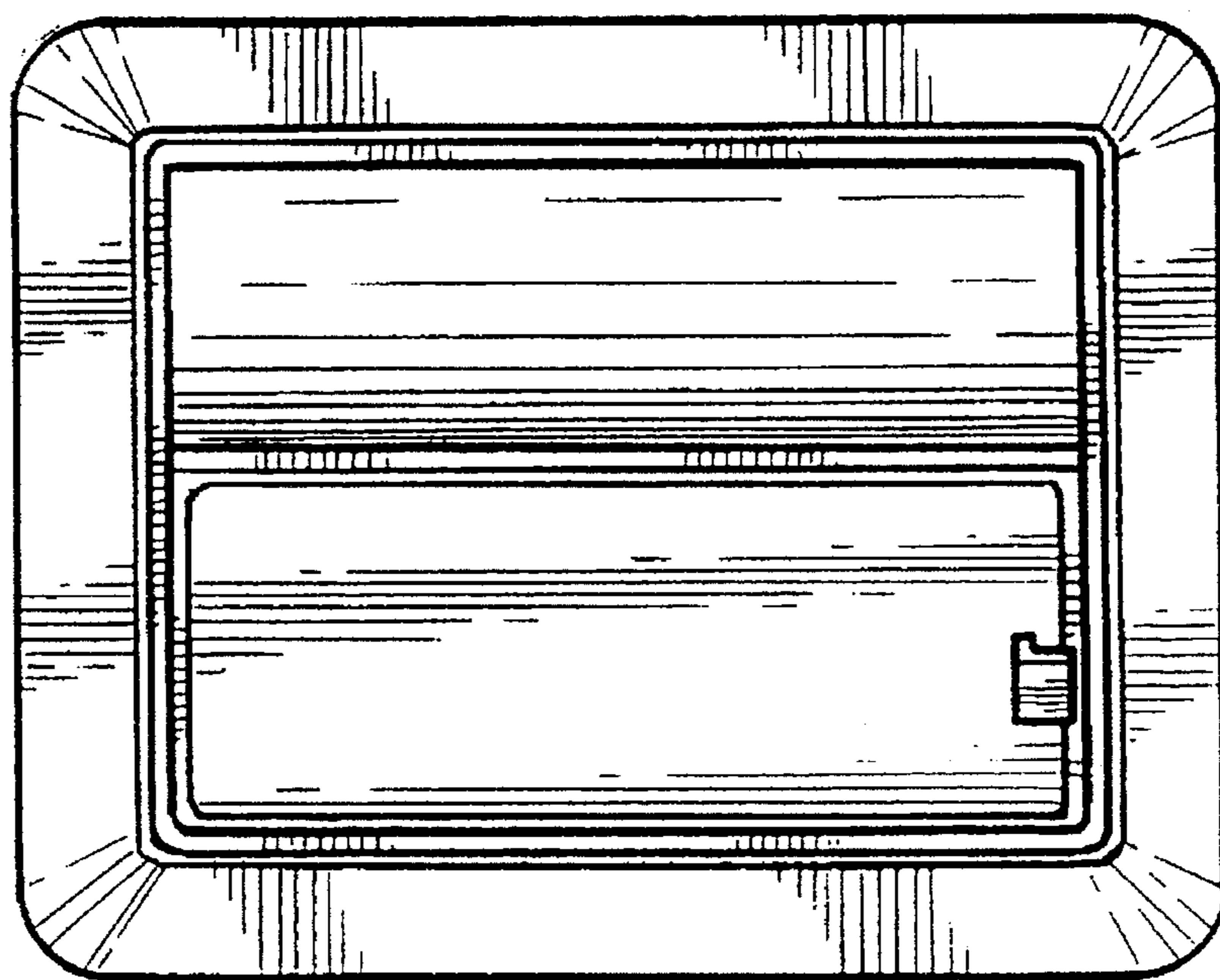


FIG. 6

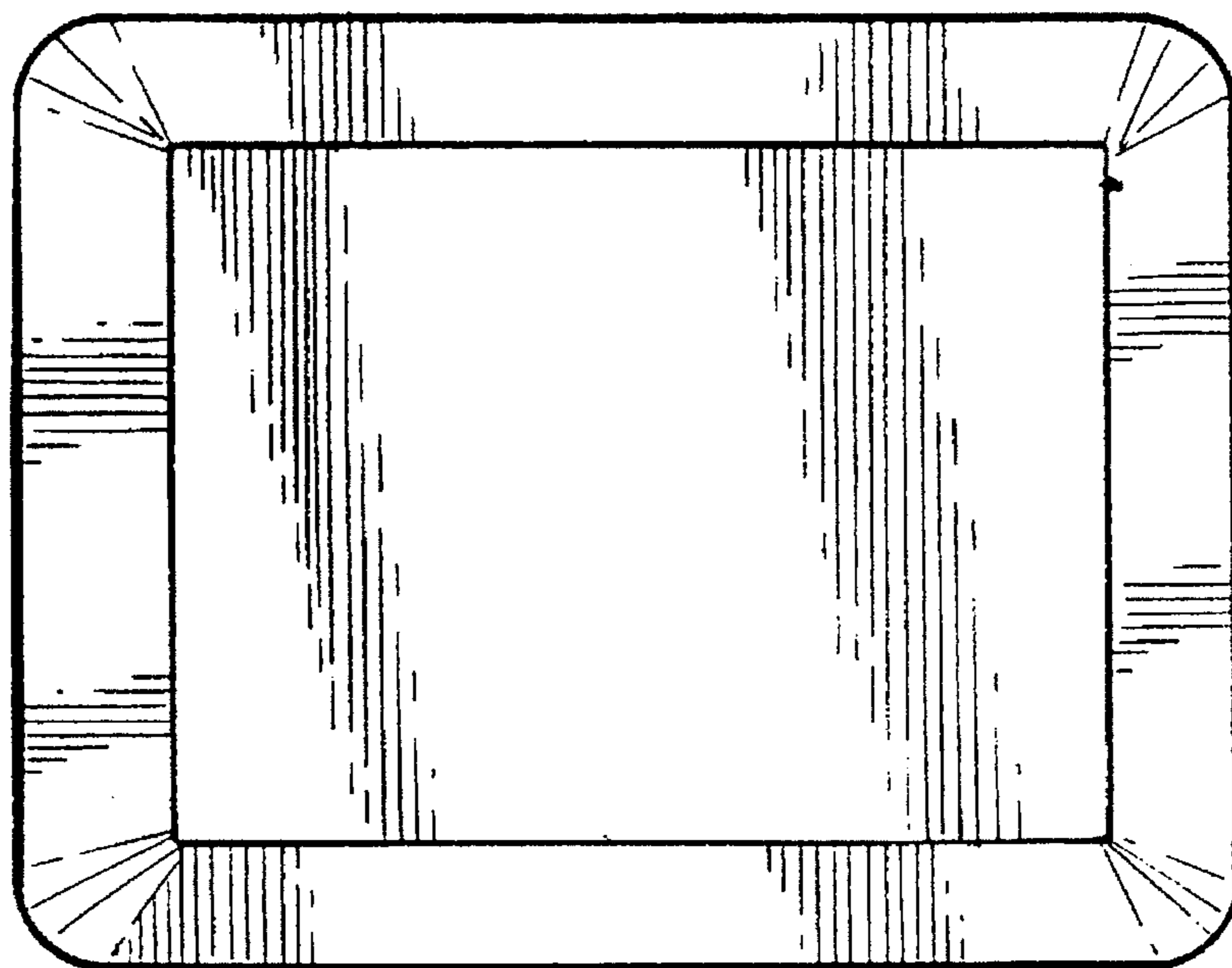


FIG. 7