



US00D381180S

**United States Patent** [19]  
**Schueneman et al.**

[11] **Patent Number: Des. 381,180**

[45] **Date of Patent: \*\*Jul. 15, 1997**

[54] **ROLL SUPPORT**

[75] Inventors: **Herbert H. Schueneman**, Monterey, Calif.; **Robb A. Warren**, Appleton, Wis.; **Richard M. Butler**, Menasha, Wis.; **Cary M. Dean**, Milwaukee, Wis.

[73] Assignee: **Great Northern Corporation**, Appleton, Wis.

[\*\*] Term: **14 Years**

[21] Appl. No.: **41,230**

[22] Filed: **Jul. 10, 1995**

[51] **LOC (6) Cl.** ..... **09-08**

[52] **U.S. Cl.** ..... **D34/38**

[58] **Field of Search** ..... D34/28, 38; 108/51.1, 108/51.3, 55.3, 56.1, 57.1; 248/346.02, 346.03, 346.11; 206/391; 211/59.4

[56] **References Cited**

**U.S. PATENT DOCUMENTS**

D. 256,346	8/1980	Annis .....	D34/38
2,838,173	6/1958	Emery .....	206/65
2,990,951	7/1961	Fallert .....	206/65
3,590,752	7/1971	DePew .....	108/53
3,708,084	1/1973	Bixler et al. ....	217/26.5
3,753,407	8/1973	Tilseth .....	108/53
4,195,732	4/1980	Bell .....	206/391
4,385,091	5/1983	Roellchen .....	428/134
4,435,463	3/1984	Roellchen .....	428/158
4,796,540	1/1989	Pelfrey .....	108/55.3
4,832,196	5/1989	Butler .....	206/391
4,901,870	2/1990	Wright et al. ....	211/59.4
5,080,314	1/1992	Moyer et al. ....	248/346
5,123,547	6/1992	Koch .....	211/59.4
5,161,703	11/1992	Patton .....	211/59.4

**OTHER PUBLICATIONS**

Keyes-Fiber Company, Blueprints, 1979.  
Henry Molded Products, Blueprint 12" Stakker, Apr. 6, 1990.

Prior Art Roll Support manufactured and sold by Fiber Packaging Corp. Date, 1983.

Second Prior art roll support mfg. and sold by Fiber Packaging Corp. of Jasper, TX in 1983.

*Primary Examiner*—A. Hugo Word  
*Assistant Examiner*—Robin V. Taylor  
*Attorney, Agent, or Firm*—Andrus, Scales, Starke & Sawall

[57] **CLAIM**

The ornamental design for the roll support, as shown and described.

**DESCRIPTION**

FIG. 1 is an isometric view of a roll support showing our new design;

FIG. 2 is an enlarged top plan view thereof;

FIG. 3 is a side elevational view thereof, the other side being a mirror image;

FIG. 4 is an end view thereof, the other end being identical;

FIG. 5 is a cross sectional view taken along line 5—5 of FIG. 1;

FIG. 6 is a cross sectional view taken along line 6—6 of FIG. 1;

FIG. 7 is an isometric view of an alternate embodiment of the roll support of the present invention;

FIG. 8 is an enlarged top plan view thereof;

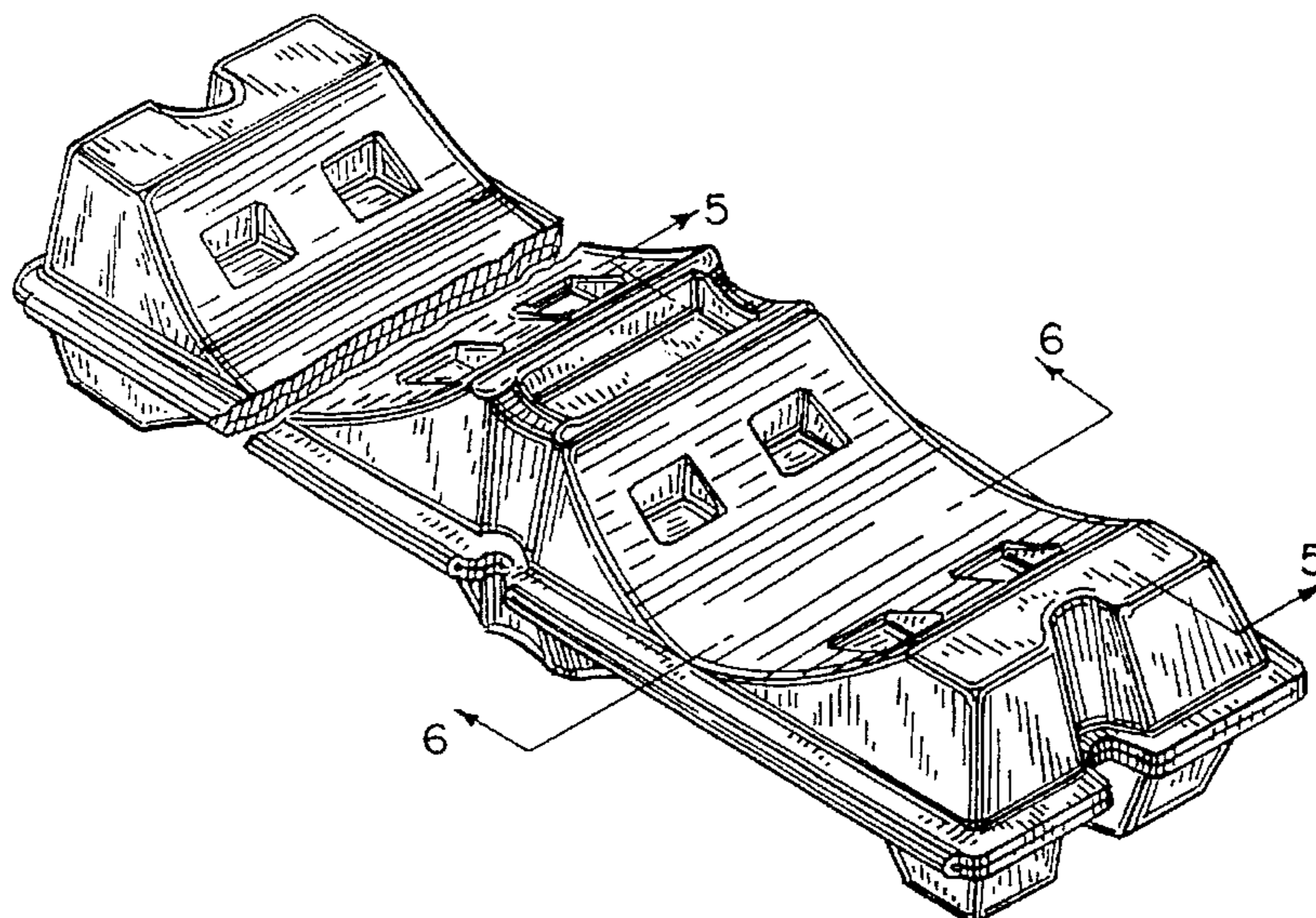
FIG. 9 is a bottom plan view thereof;

FIG. 10 is a cross sectional view taken along line 10—10 of FIG. 7; and,

FIG. 11 is a cross sectional view taken along line 11—11 of FIG. 7.

The roll support is shown broken away in FIGS. 1 and 7 to indicate indeterminate length and the roll support design repeats longitudinally as indicated.

**1 Claim, 4 Drawing Sheets**



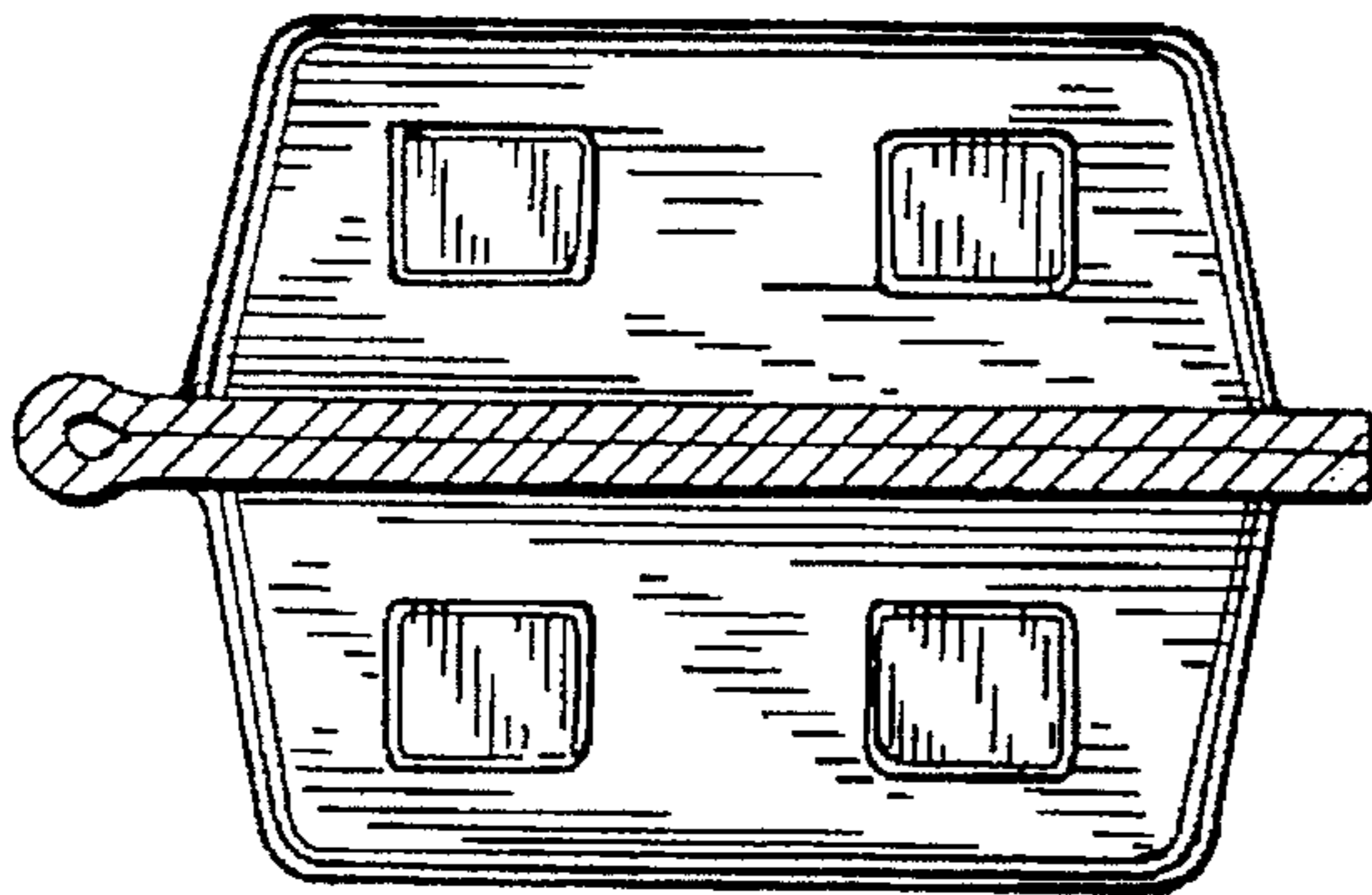
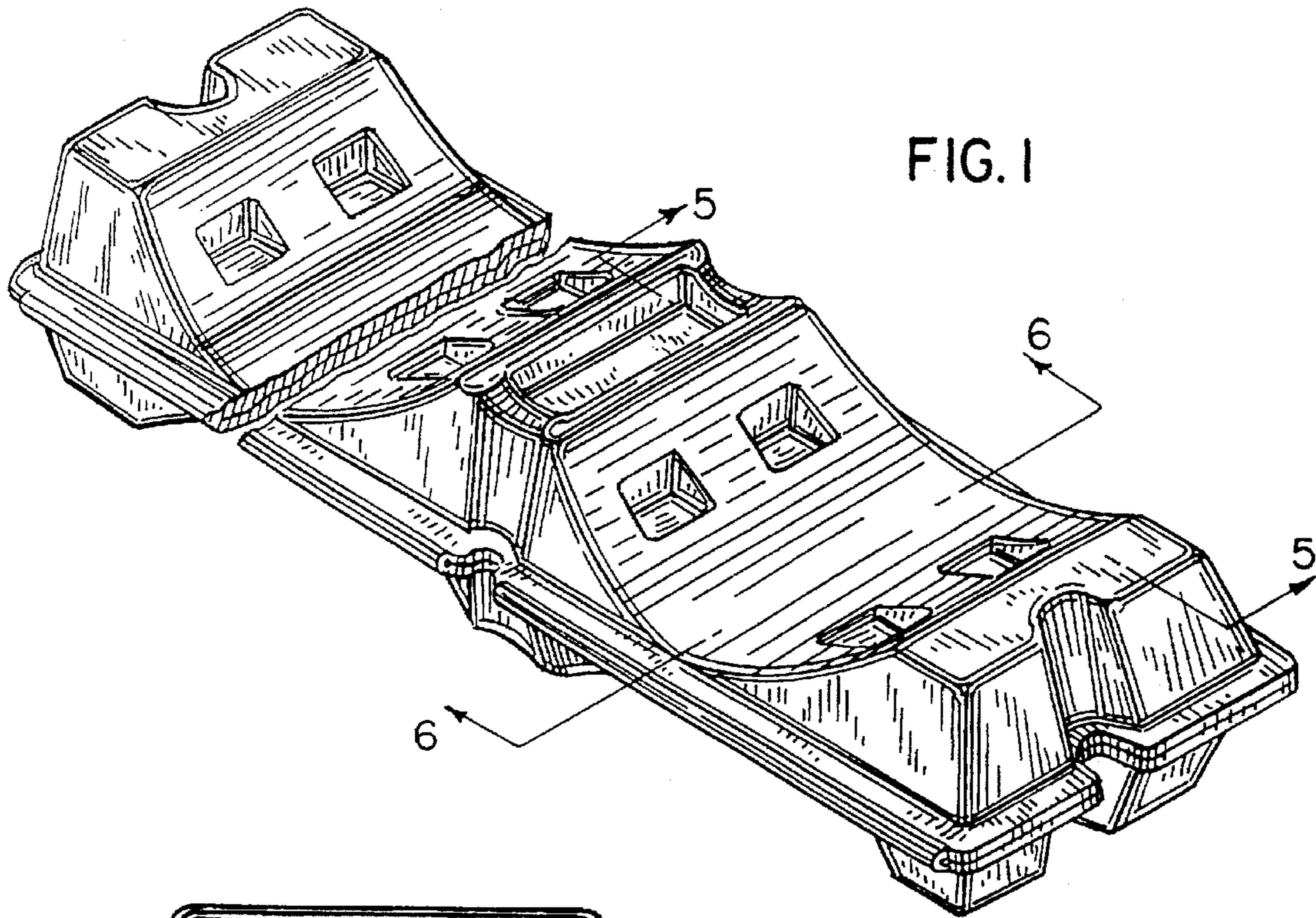


FIG. 6

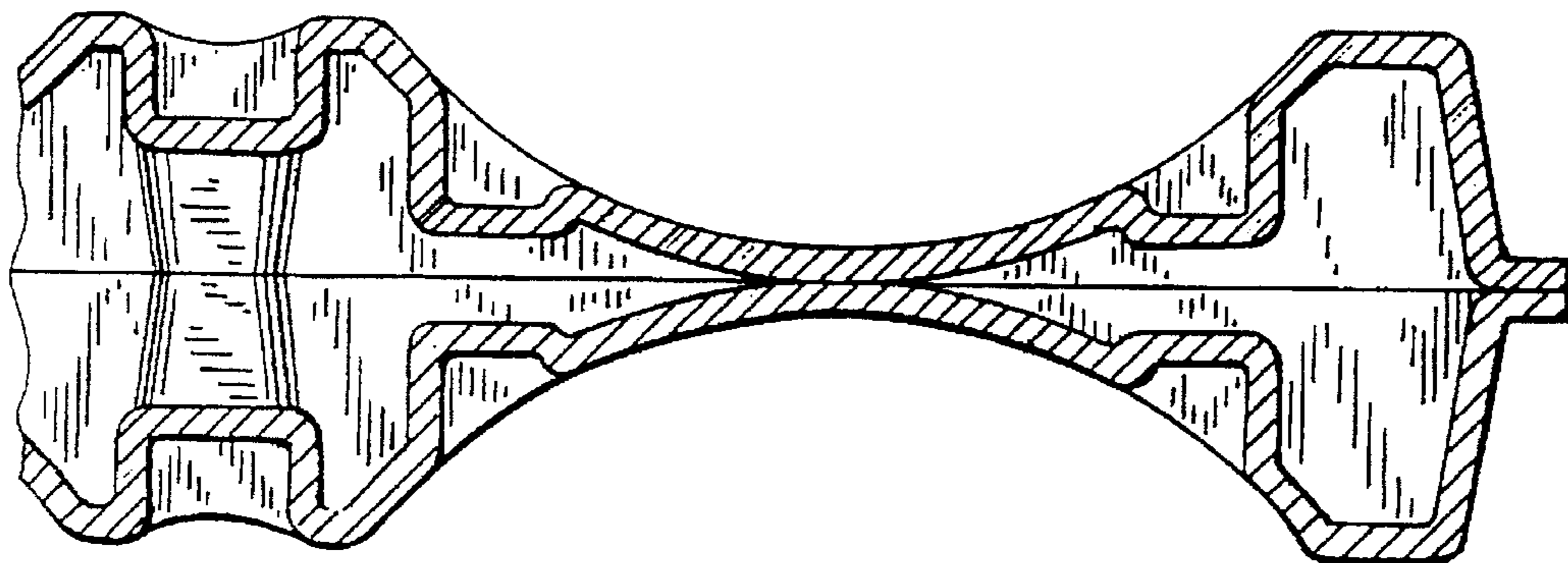


FIG. 5

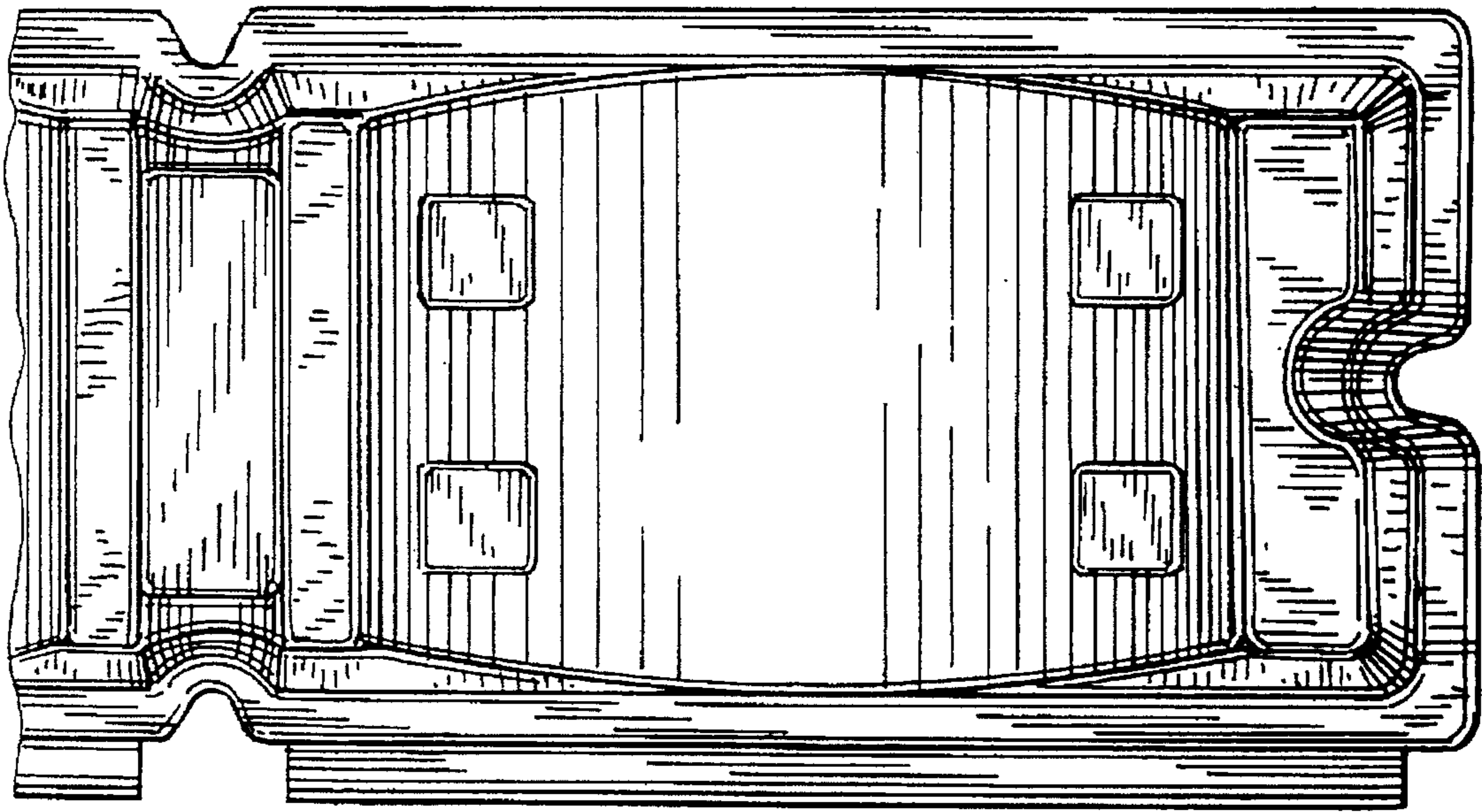


FIG. 2

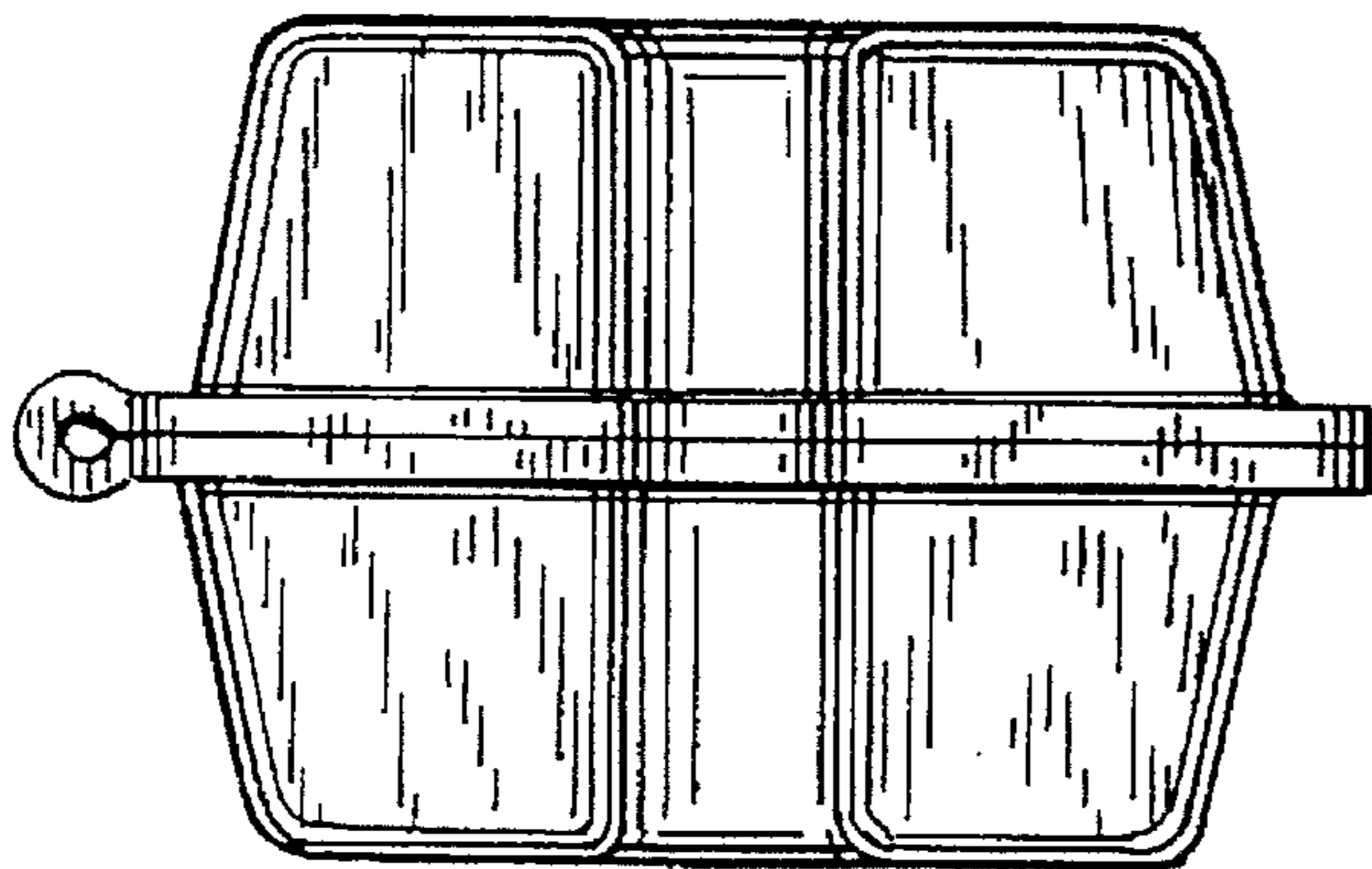


FIG. 4

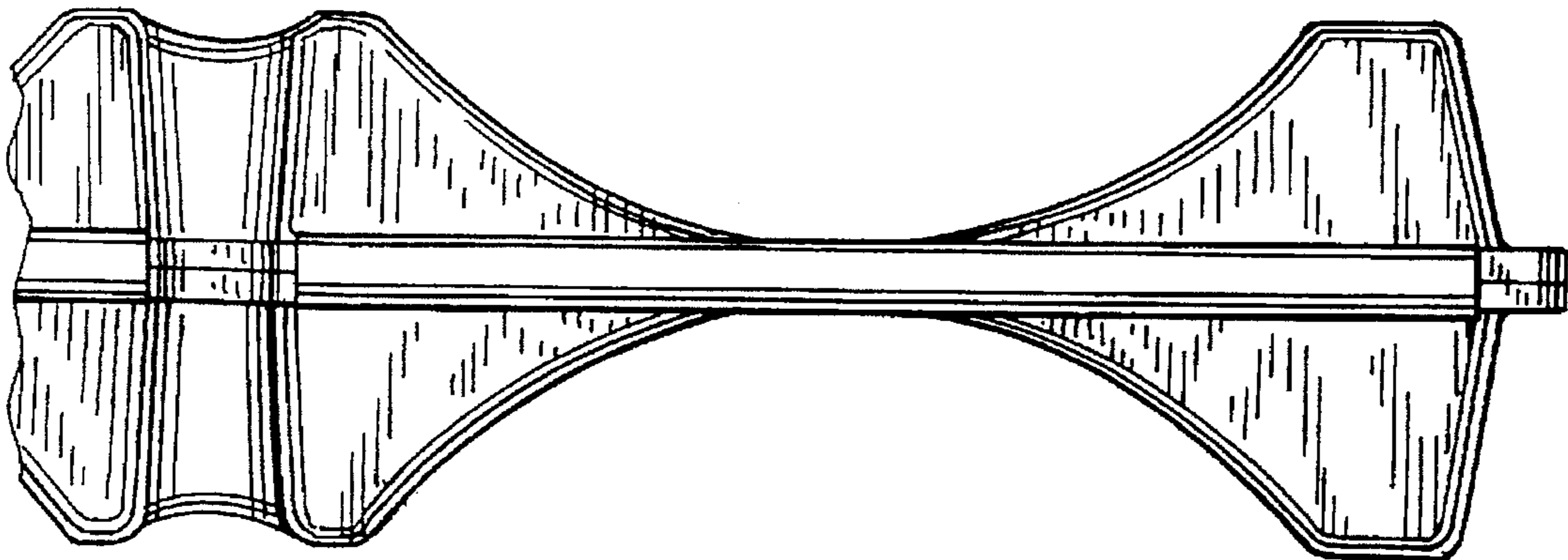


FIG. 3

FIG. 8

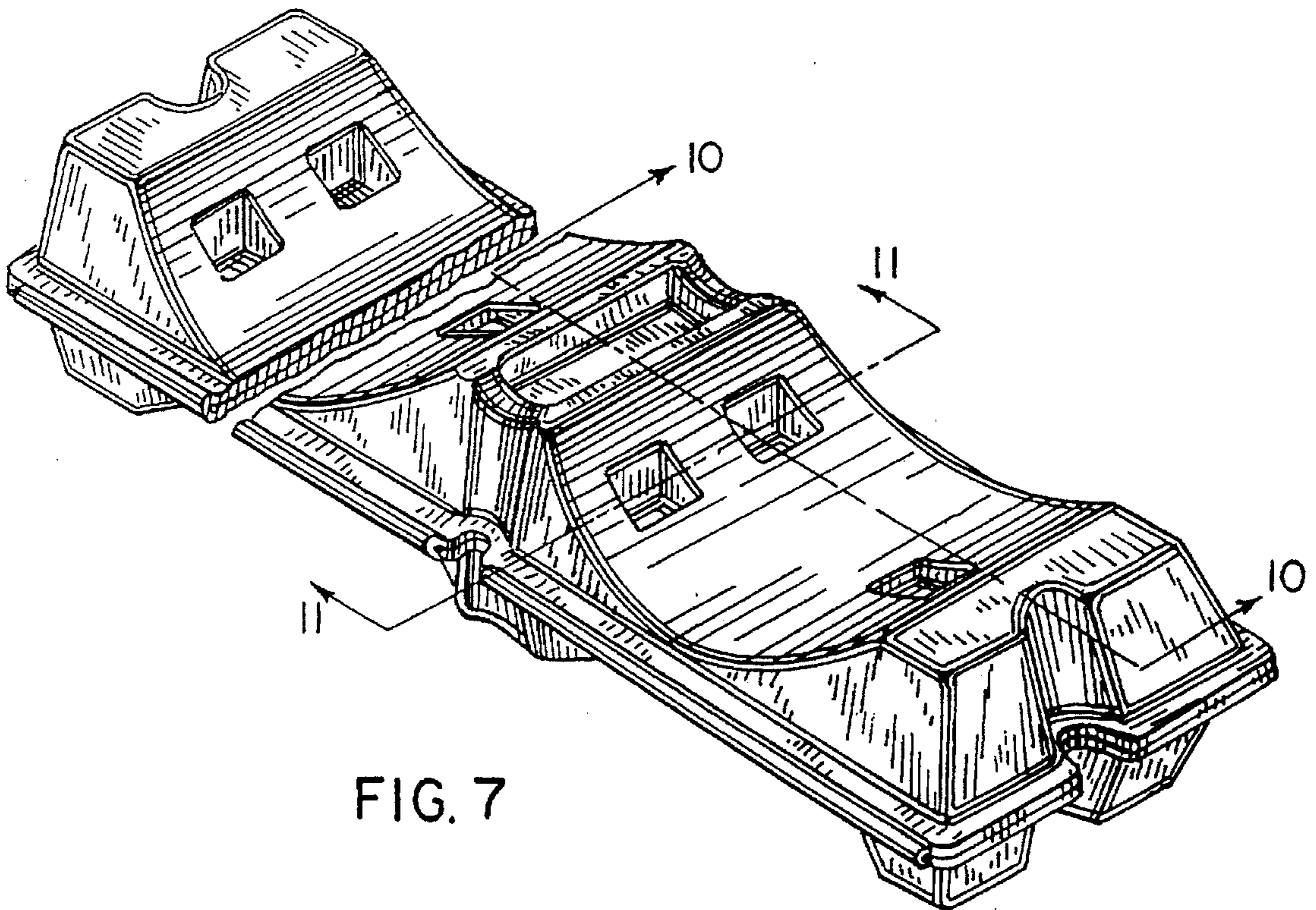
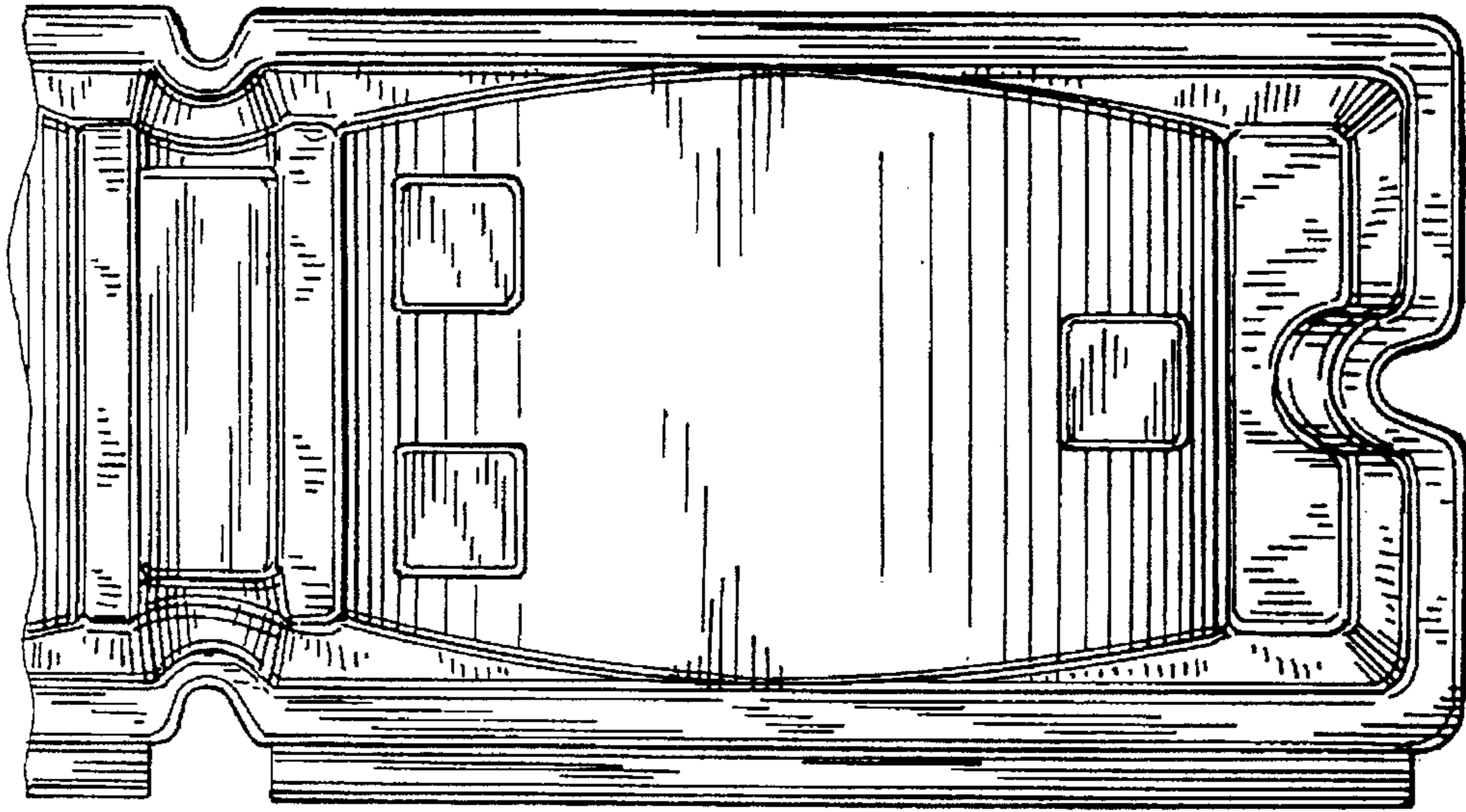


FIG. 7

FIG. 9

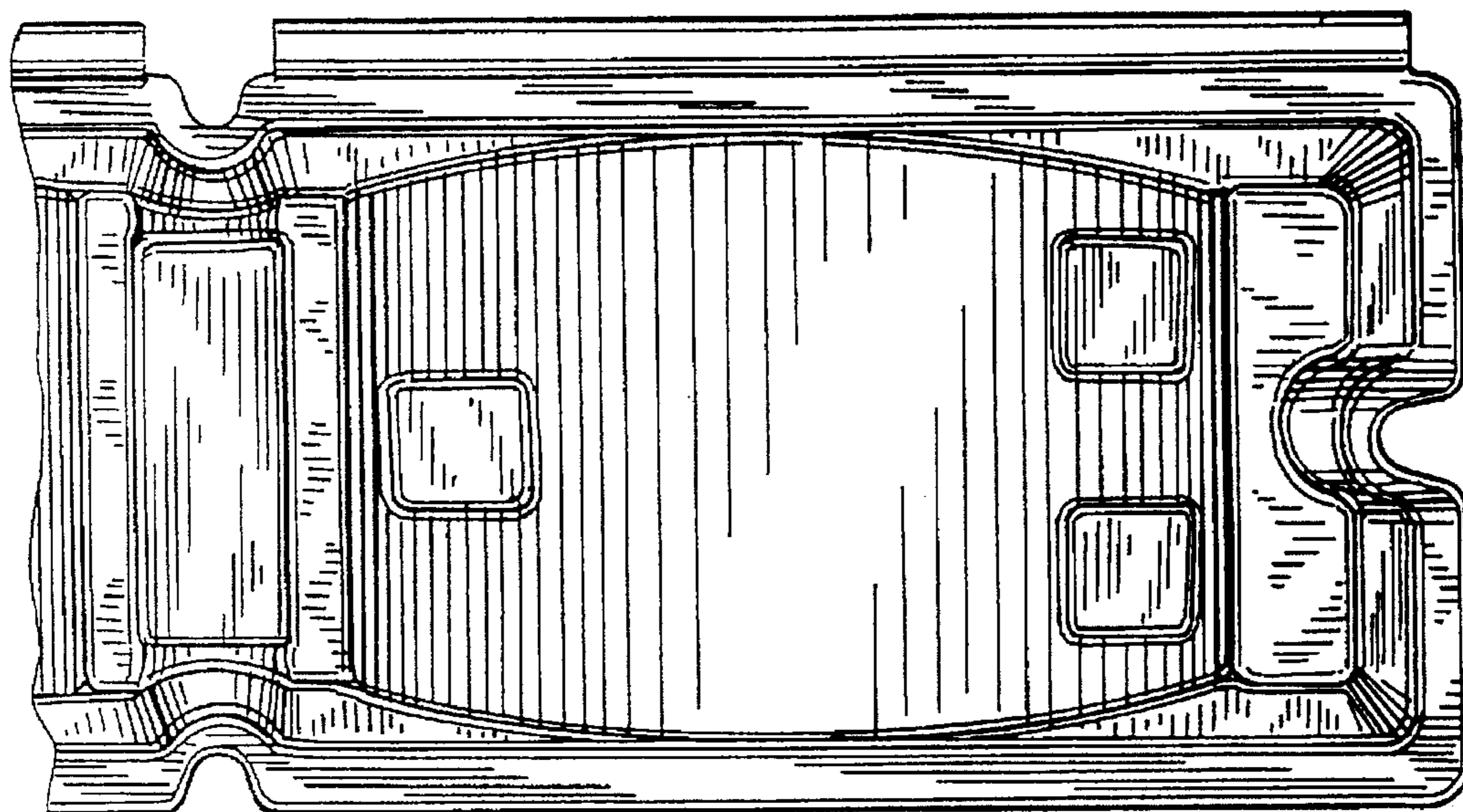


FIG. 11

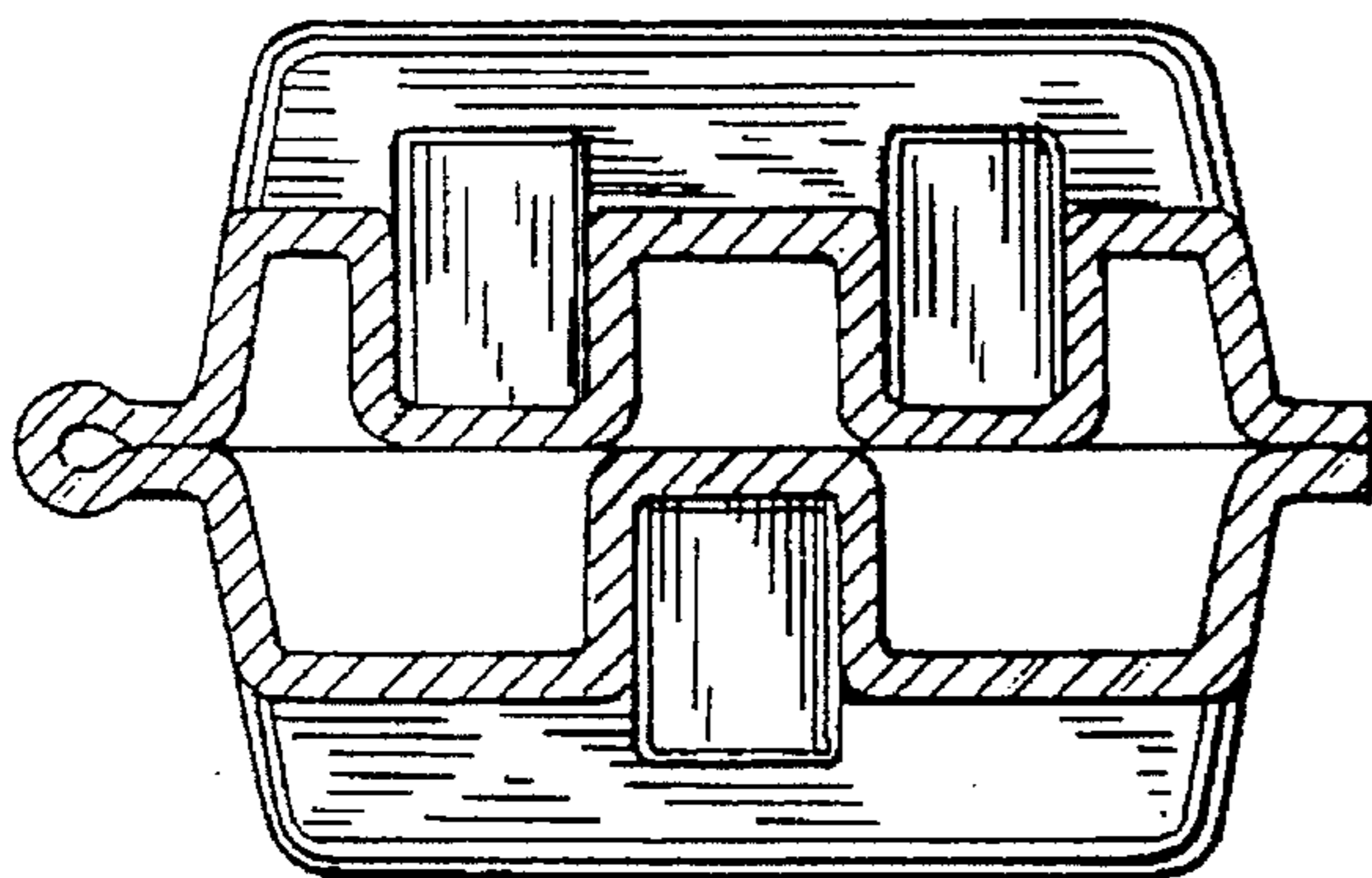


FIG. 10

