



US00D381179S

# United States Patent [19]

Hestehave et al.

[11] Patent Number: **Des. 381,179**

[45] Date of Patent: **\*\*Jul. 15, 1997**

[54] **BOOM AND MAST SUPPORT**

[75] Inventors: **Borge Hestehave**, Alta Loma; **Kjeld Hestehave**, Upland, both of Calif.

[73] Assignee: **Bomatic, Inc.**, Ontario, Calif.

[\*\*] Term: **14 Years**

[21] Appl. No.: **49,905**

[22] Filed: **Feb. 2, 1996**

[51] LOC (6) Cl. .... **12-05**

[52] U.S. Cl. .... **D34/36**

[58] Field of Search ..... D25/127, 133, D25/134; 248/519, 910; D34/36; 212/347, 200-204, 252, 350, 224, 176, 180, 349, 306, 196; 273/1.5; 52/301

[56] **References Cited**

**U.S. PATENT DOCUMENTS**

D. 214,557 7/1969 Grove ..... D34/36

D. 273,712 5/1984 Ahlqvist ..... D25/133  
4,480,757 11/1984 Oustad ..... 212/224  
5,259,612 11/1993 Matherne et al. .... 273/1.5 R

*Primary Examiner*—Doris Clark  
*Attorney, Agent, or Firm*—Sixbey, Friedman, Leedom & Ferguson, P.C.; David S. Safran

[57] **CLAIM**

The ornamental design for a boom and mast support, as shown and described.

**DESCRIPTION**

FIG. 1 is a front perspective view as seen from bottom and to the left side showing our design;  
FIG. 2 is a front elevational view of the design;  
FIG. 3 is an rear elevational view of the design;  
FIG. 4 is a bottom plan view of the design;  
FIG. 5 is a top plan view of the design;  
FIG. 6 is a left side elevational view of the design; and,  
FIG. 7 is a right side elevational view of the design.

**1 Claim, 2 Drawing Sheets**

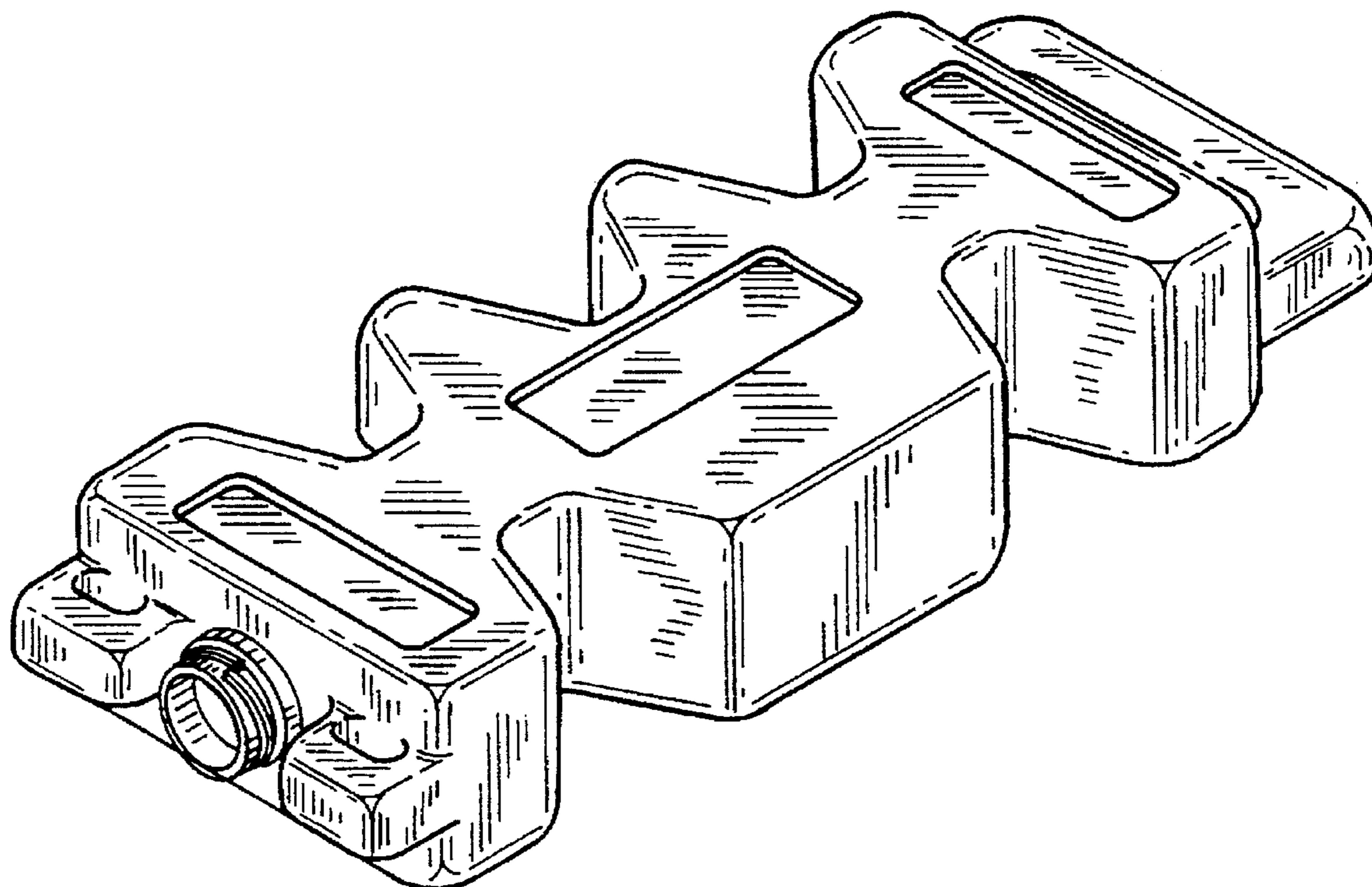


FIG. 1

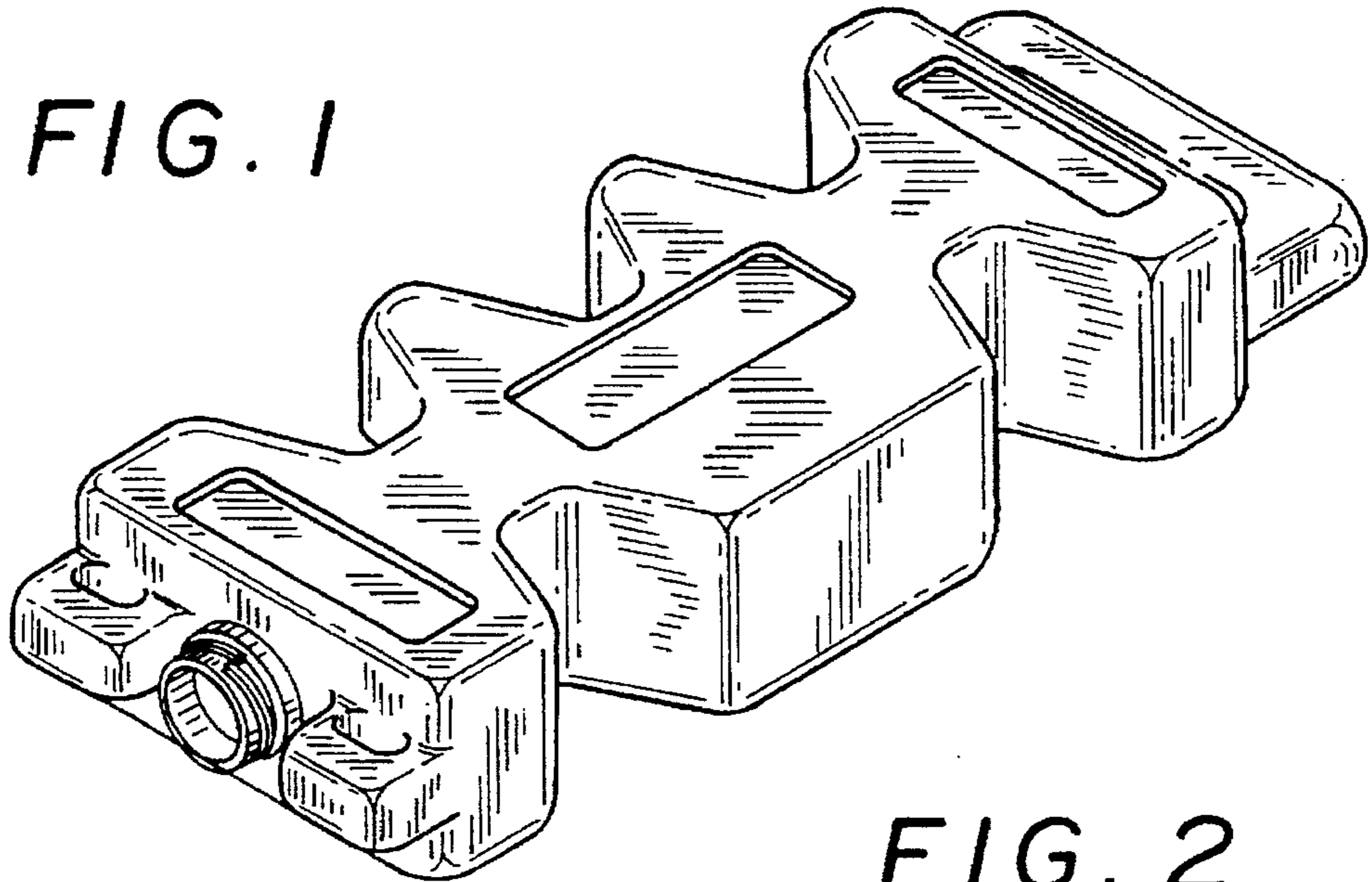


FIG. 2

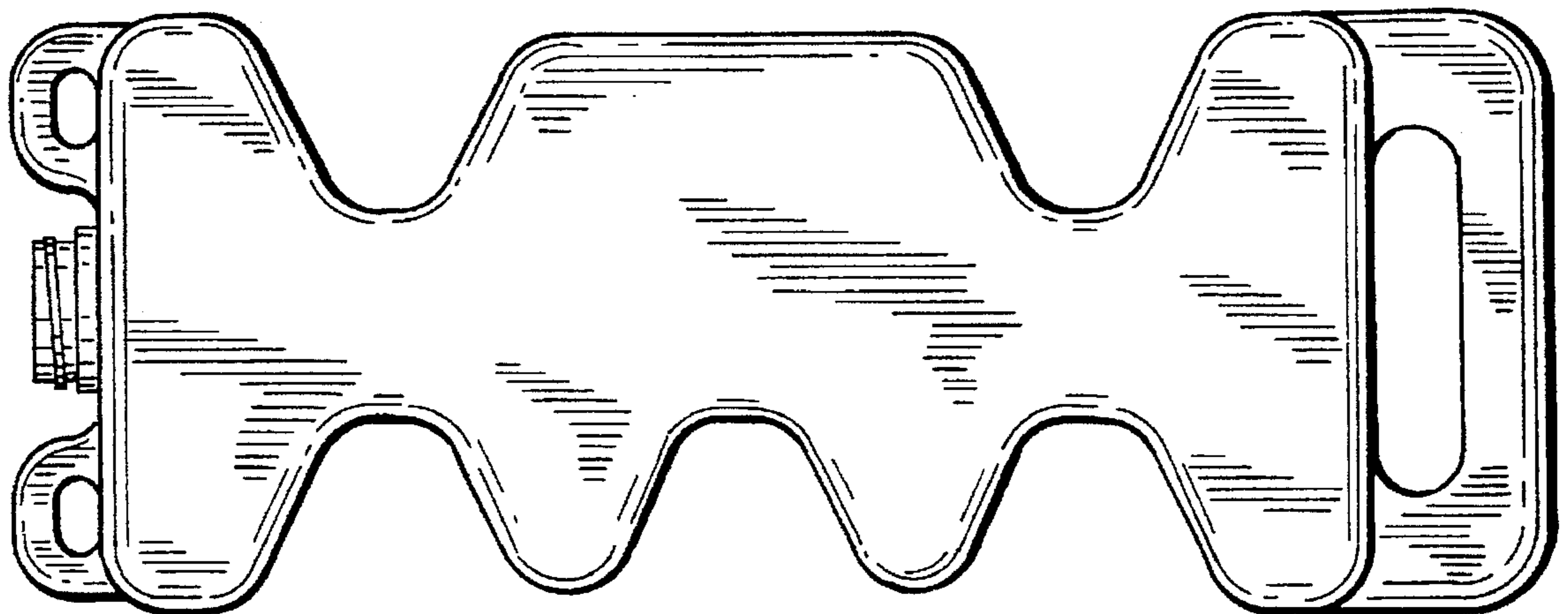
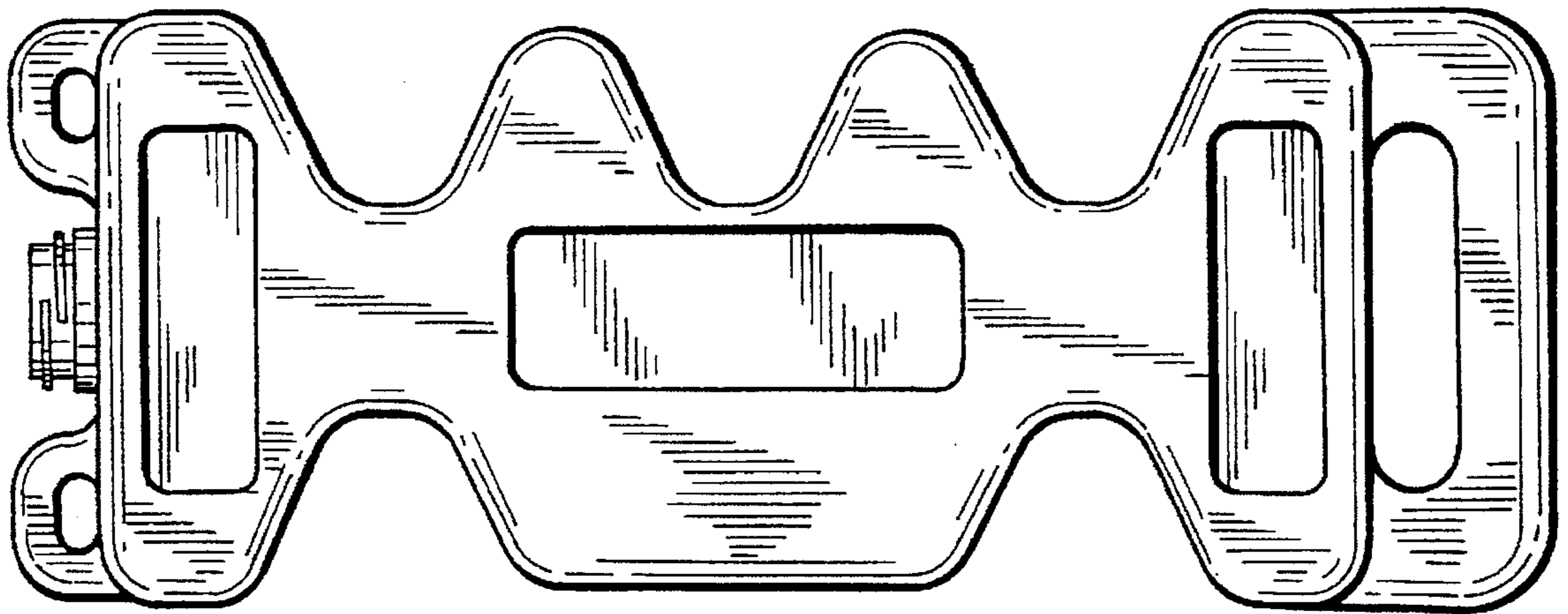


FIG. 3

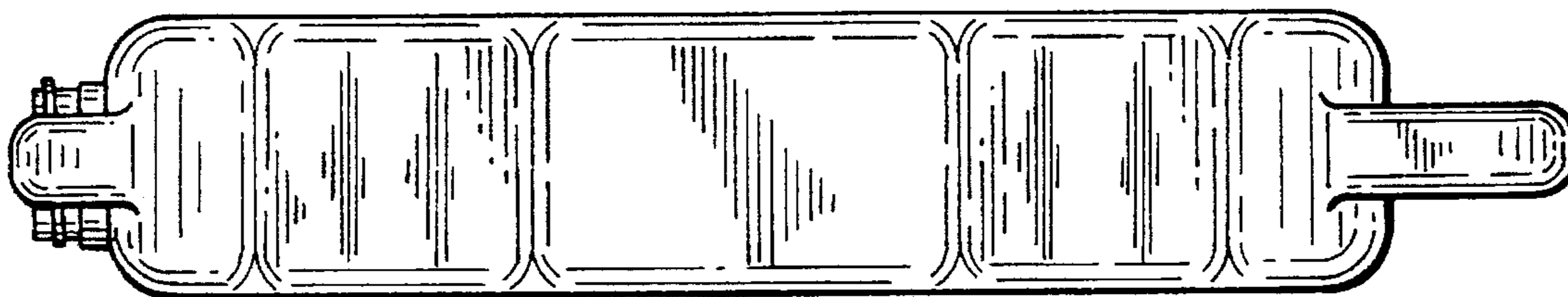


FIG. 4

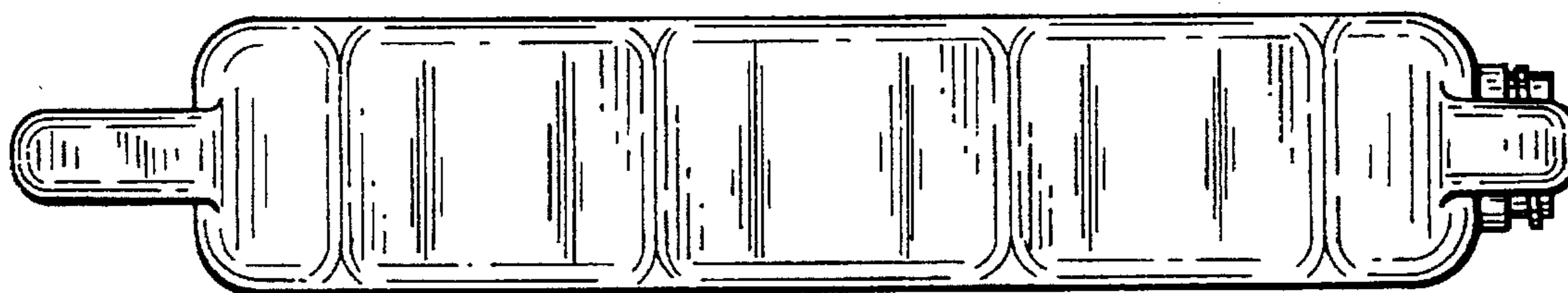


FIG. 5

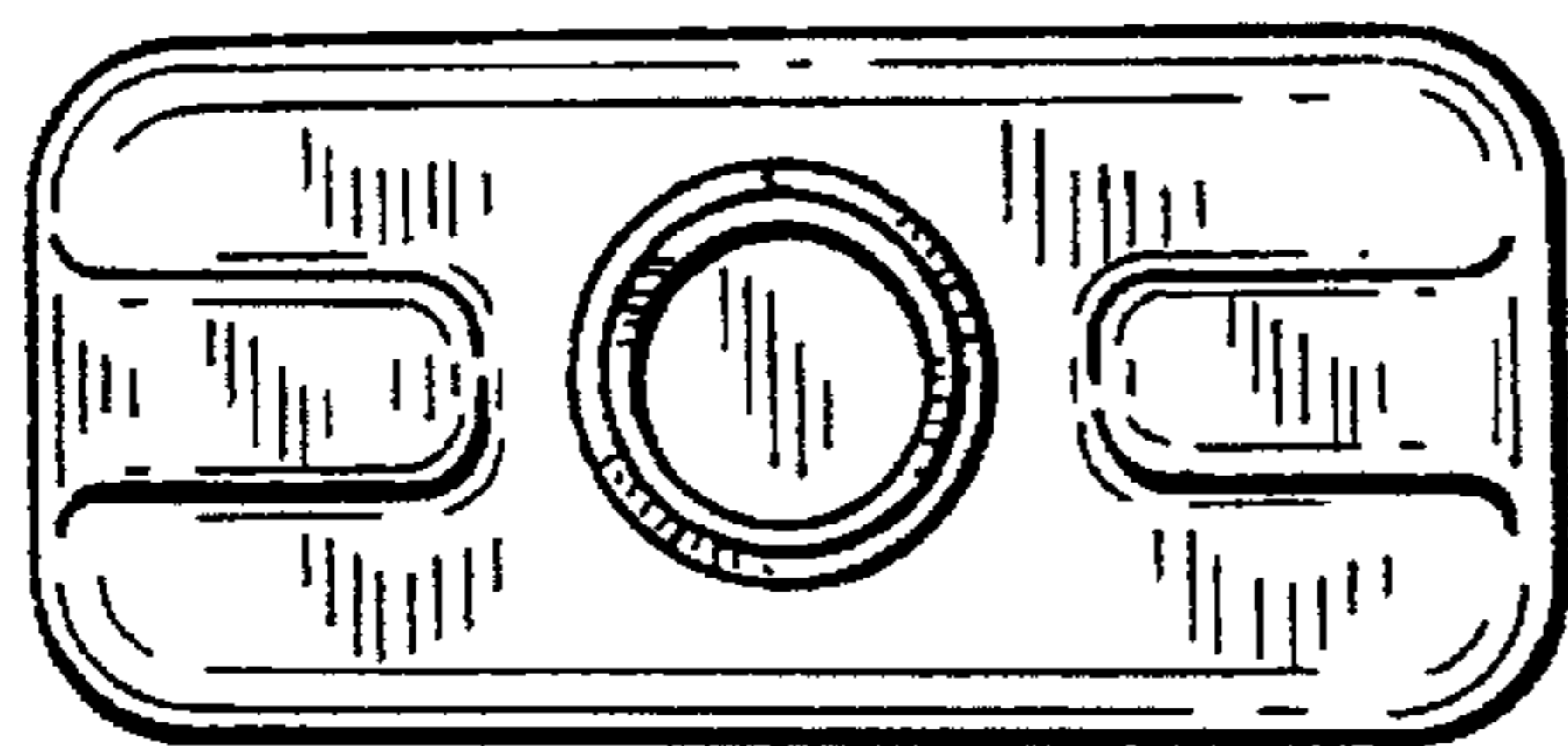


FIG. 6

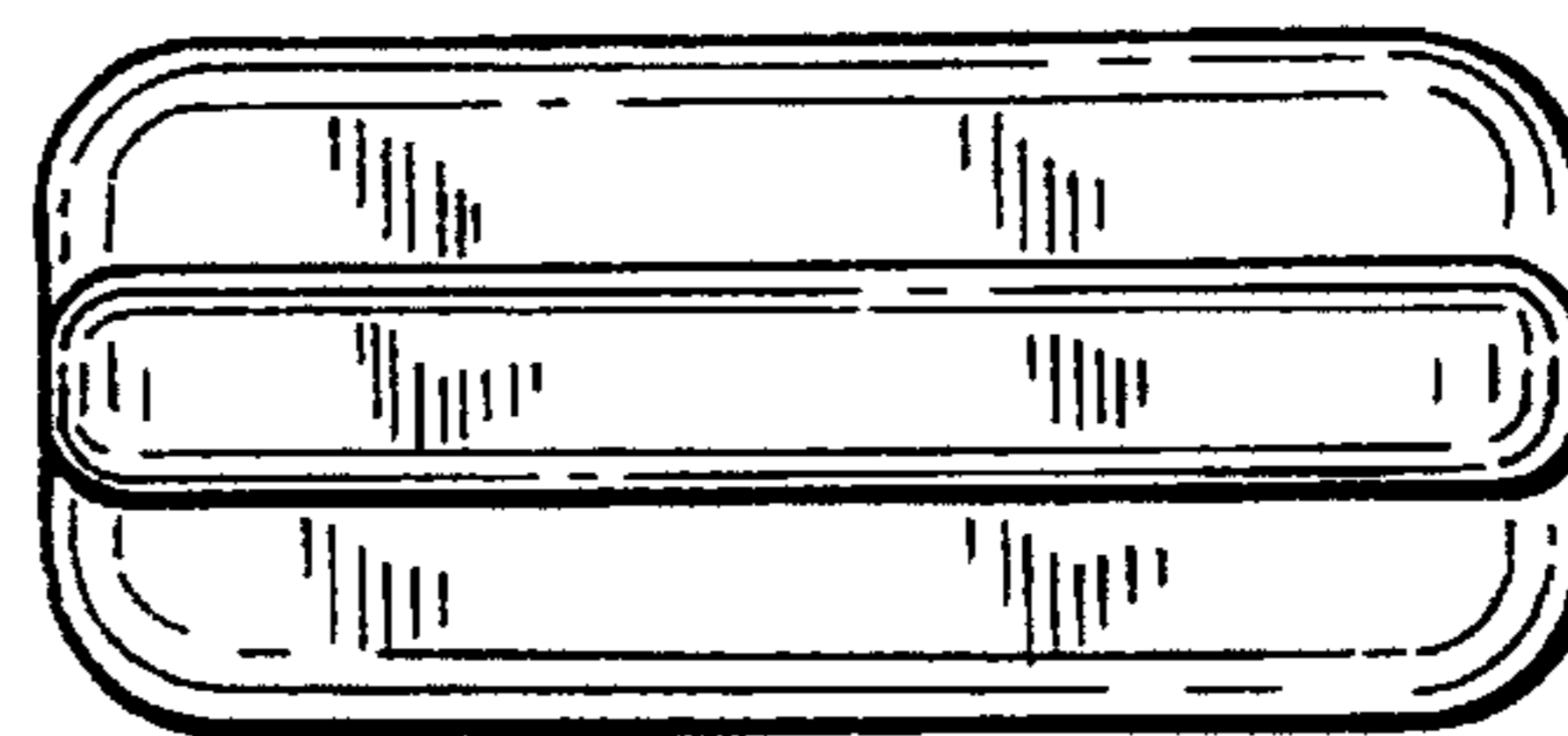


FIG. 7