



US00D381177S

United States Patent [19]

Patois et al.

[11] Patent Number: **Des. 381,177**

[45] Date of Patent: ****Jul. 15, 1997**

[54] **CONVEYOR BELT**

[75] Inventors: **John R. Patois**, Wayne, N.J.; **Jack D. Warren**, Oshkosh, Wis.

[73] Assignee: **J & J Container Handling Systems**, Little Falls, N.J.

[**] Term: **14 Years**

[21] Appl. No.: **47,187**

[22] Filed: **Nov. 28, 1995**

[51] LOC (6) Cl. **12-05**

[52] U.S. Cl. **D34/29; D25/121**

[58] Field of Search D34/28, 29; D25/119-125; D26/140; 29/DIG. 73; 474/190; 198/835, 842, 843, 844.1

[56] **References Cited**

U.S. PATENT DOCUMENTS

- D. 32,294 2/1900 Bissell D25/121
- D. 134,792 1/1943 Beil D25/121

- D. 236,716 9/1975 Patterson D25/121
- D. 336,712 6/1993 Ledingham D34/29

Primary Examiner—A. Hugo Word
Assistant Examiner—Robin V. Taylor
Attorney, Agent, or Firm—Weingram & Associates

[57] **CLAIM**

The ornamental design for conveyor belt, as shown and described.

DESCRIPTION

FIG. 1 is a perspective view of a conveyor belt showing my new design;
FIG. 2 is an end elevational view, the opposite end being identical thereto;
FIG. 3 is a side elevational view, the opposite side being identical thereto;
FIG. 4 is a top plan view; and,
FIG. 5 is a bottom plan view.
The conveyor belt is shown fragmented to indicate indeterminate length.

1 Claim, 2 Drawing Sheets

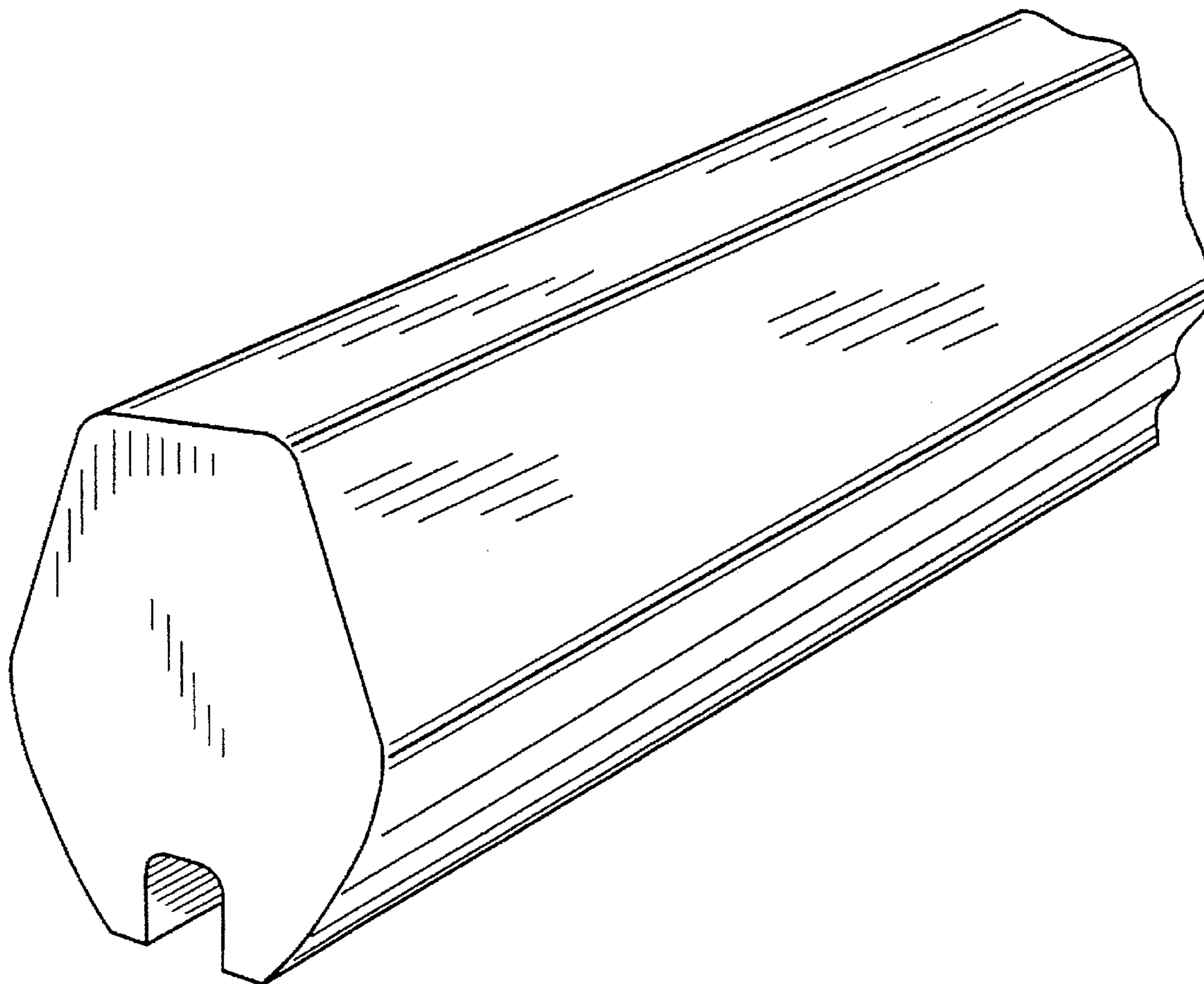


FIG. 1

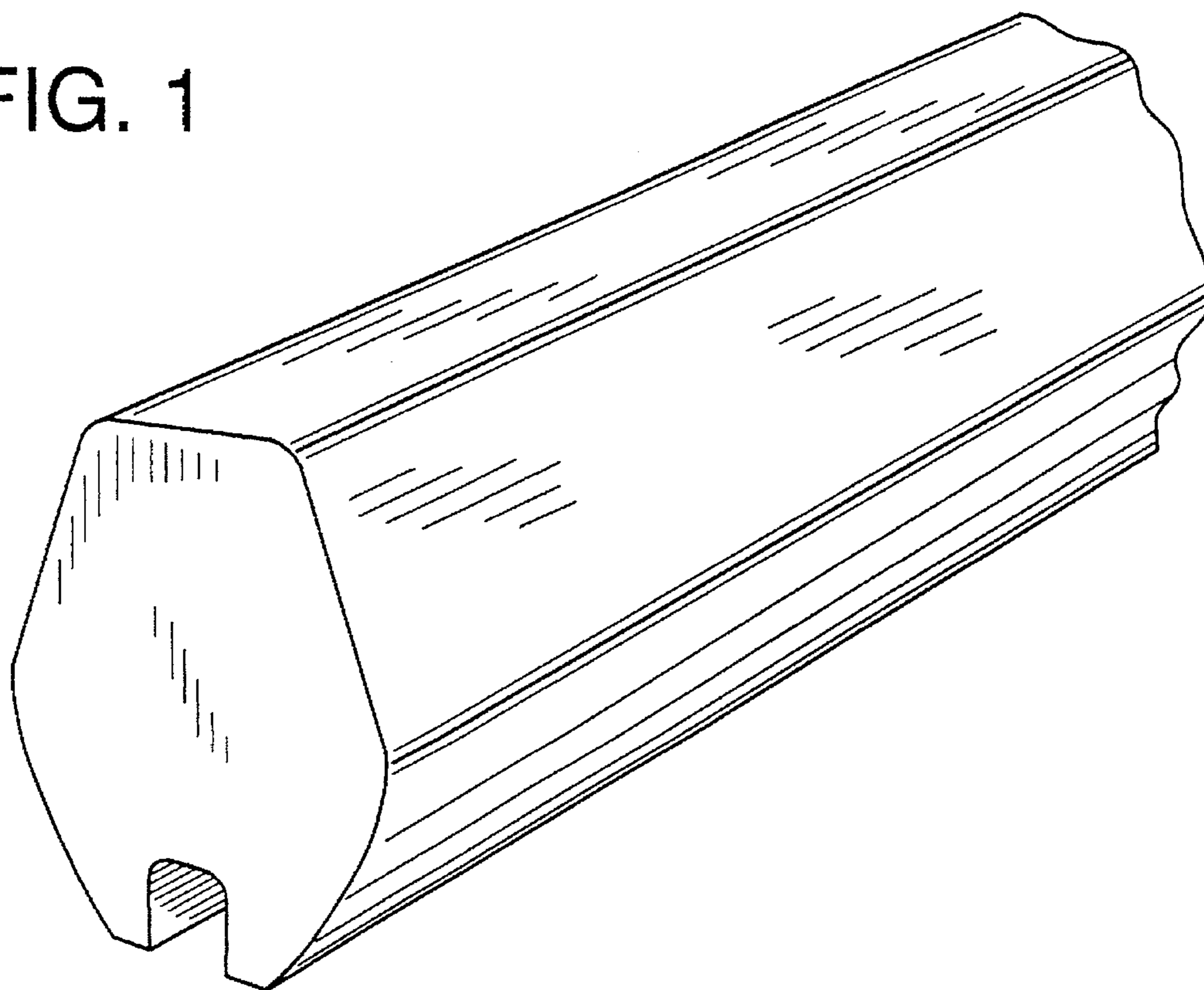


FIG. 2

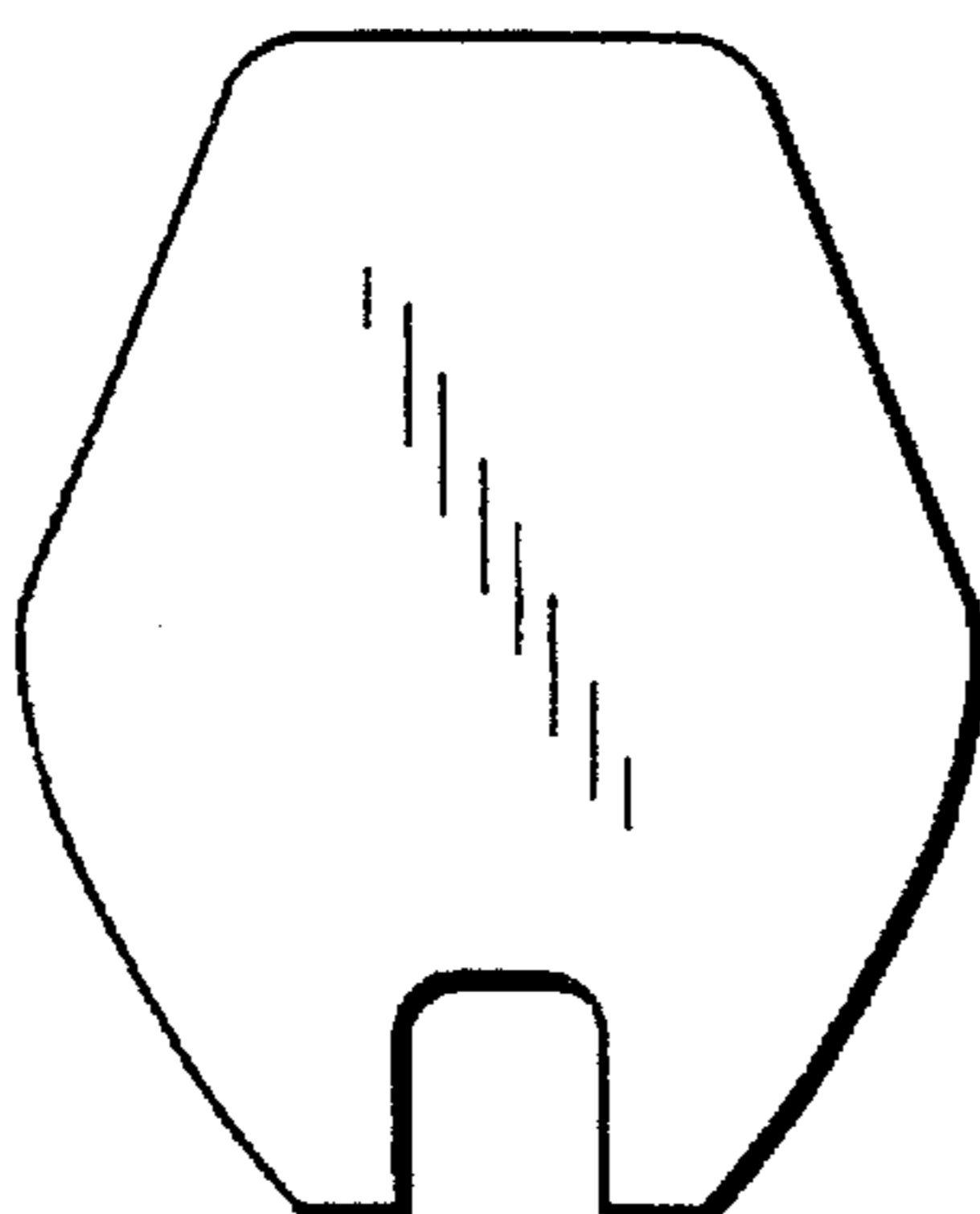


FIG. 3

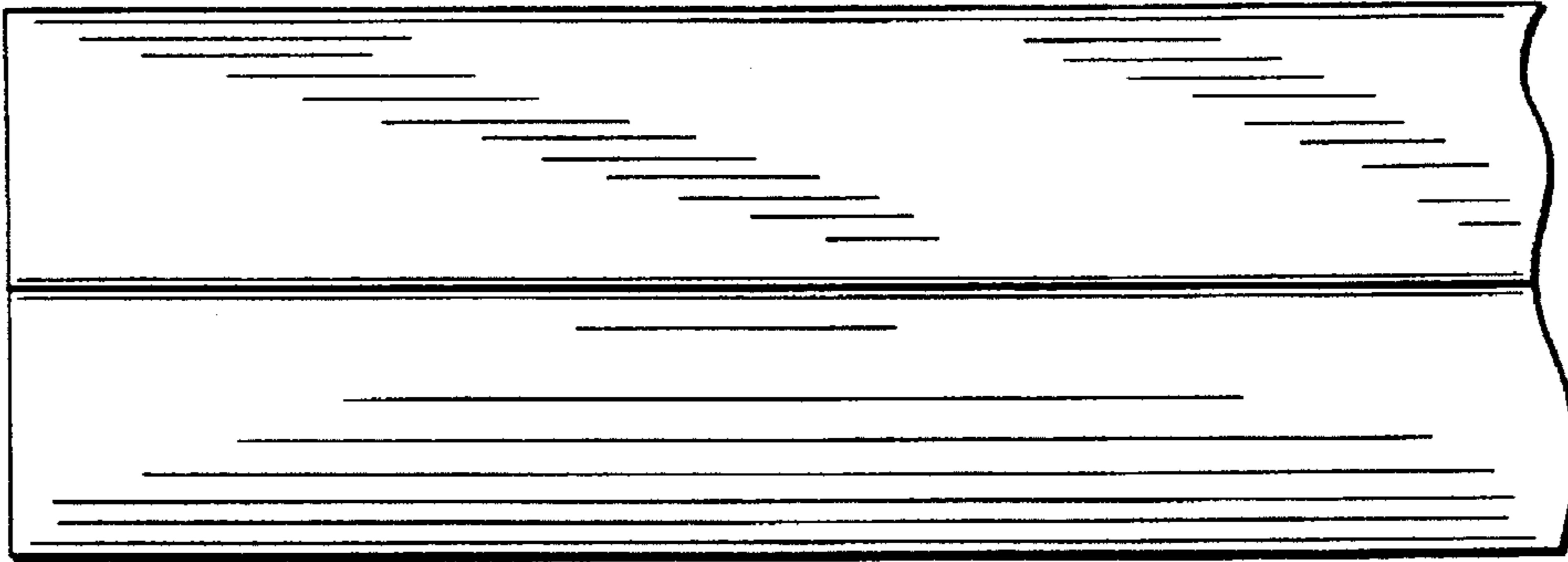


FIG. 4

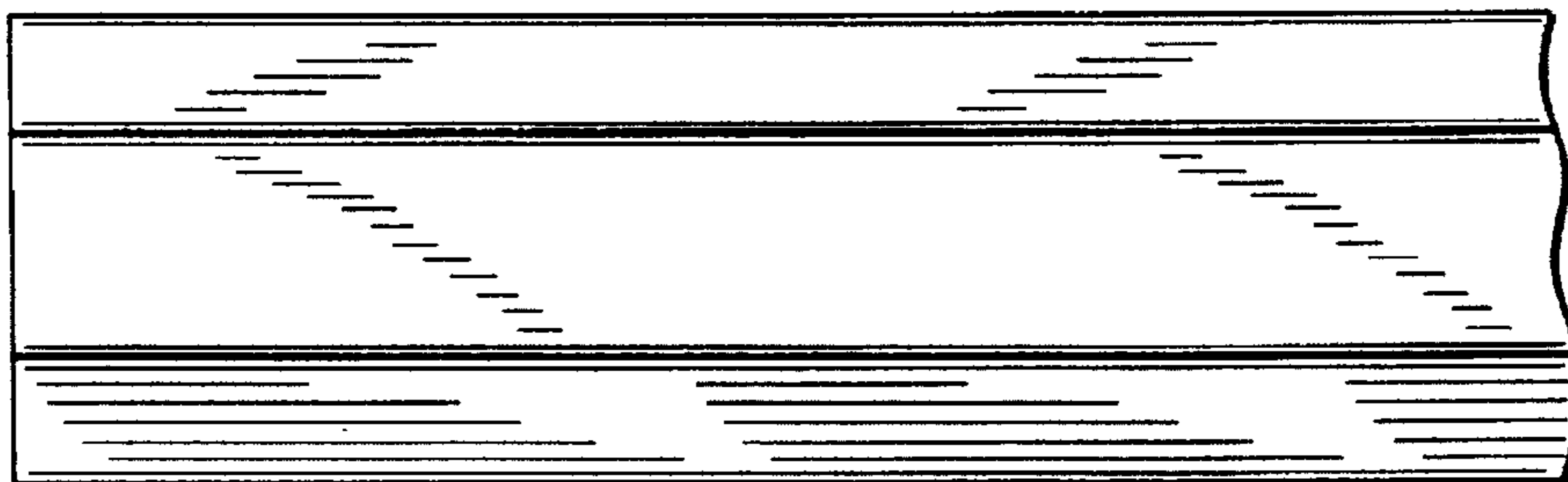


FIG. 5

