



US00D381173S

United States Patent [19] Franklin

[11] Patent Number: Des. 381,173

[45] Date of Patent: **Jul. 15, 1997

[54] RECREATIONAL VEHICLE WASTE
DISPOSAL CHUTE

4,436,518 3/1984 Buss 193/6
4,589,519 5/1986 Hunter 193/6

[76] Inventor: **Larry J. Franklin**, 365 Lipizzan La.,
Reno, Nev. 89506

Primary Examiner—A. Hugo Word
Assistant Examiner—Robin V. Taylor
Attorney, Agent, or Firm—Harold H. Dutton, Jr.; W. Charles
L. Jamison; Diane F. Liebman

[**] Term: 14 Years

[21] Appl. No.: 44,767

[57] CLAIM

[22] Filed: Sep. 29, 1995

The ornamental design for a recreational vehicle waste disposal chute, as shown, and described.

[51] LOC (6) Cl. 12-05

[52] U.S. Cl. D34/28

[58] Field of Search D34/28, 35; D12/15;
193/5, 6, 25 A, 16, 2 R

DESCRIPTION

FIG. 1 is a perspective view of a support for a recreational vehicle waste disposal chute showing my new design; FIG. 2 is a right side view thereof; The left side is a mirror image of the right side; FIG. 3 is a front view thereof; FIG. 4 is a rear view thereof; FIG. 5 is a top view thereof; and, FIG. 6 is a bottom view thereof.

[56] References Cited

U.S. PATENT DOCUMENTS

D. 328,174 7/1992 Watkins D34/28
D. 329,315 9/1992 Loeffke et al. D34/28
D. 364,028 11/1995 Rouleau D34/28
4,054,194 10/1977 Davis 193/2 R

1 Claim, 3 Drawing Sheets

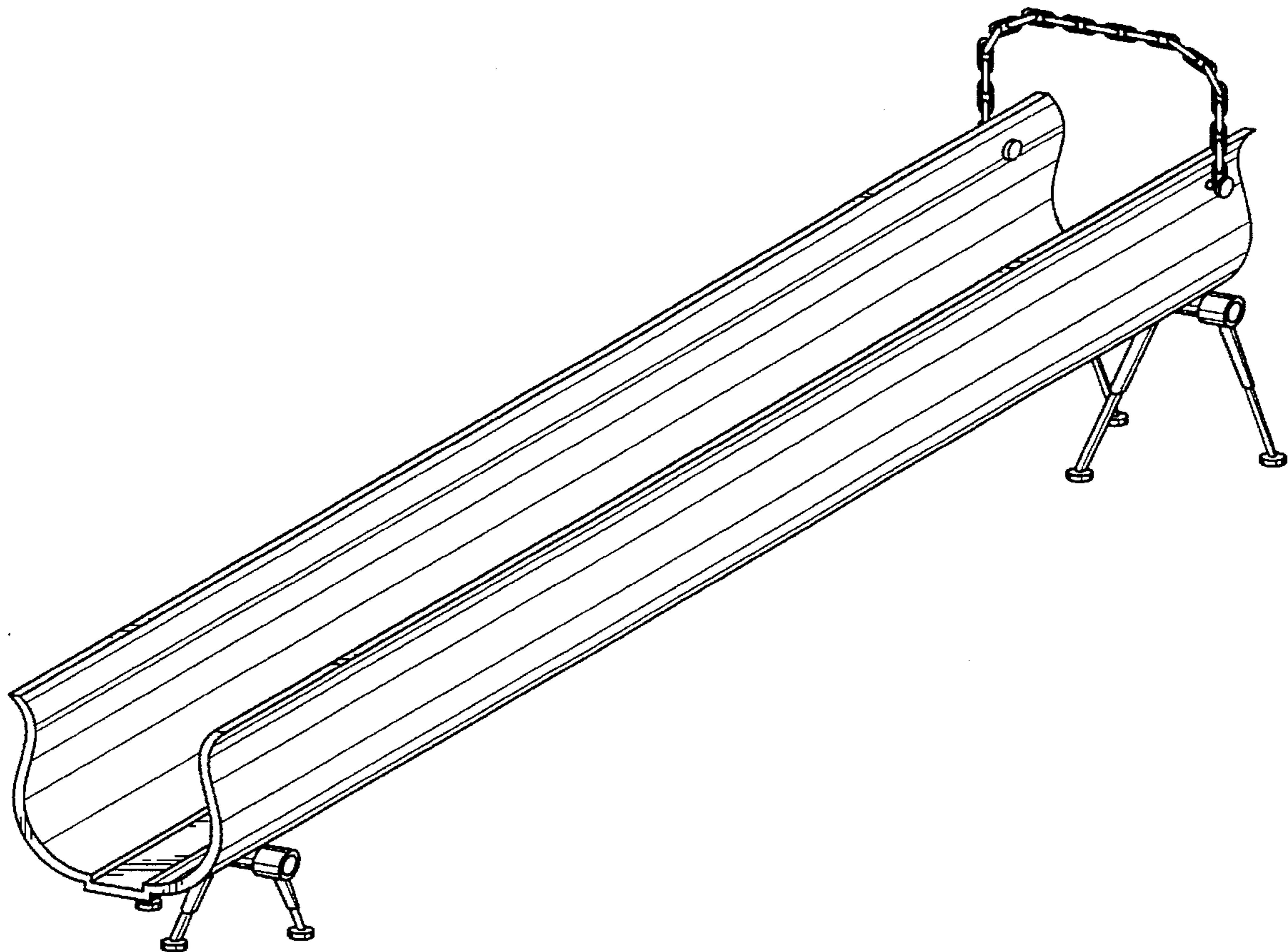
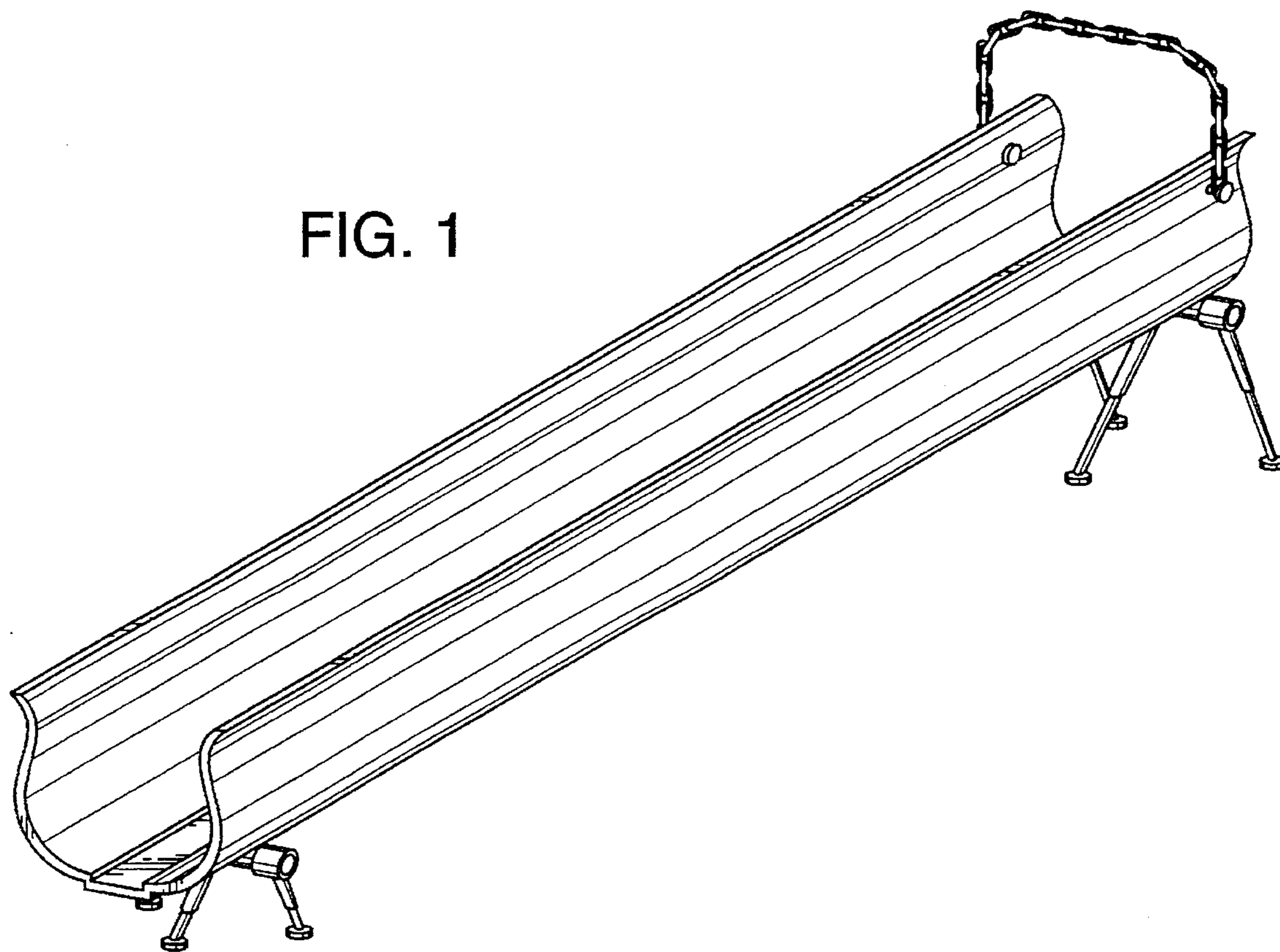


FIG. 1



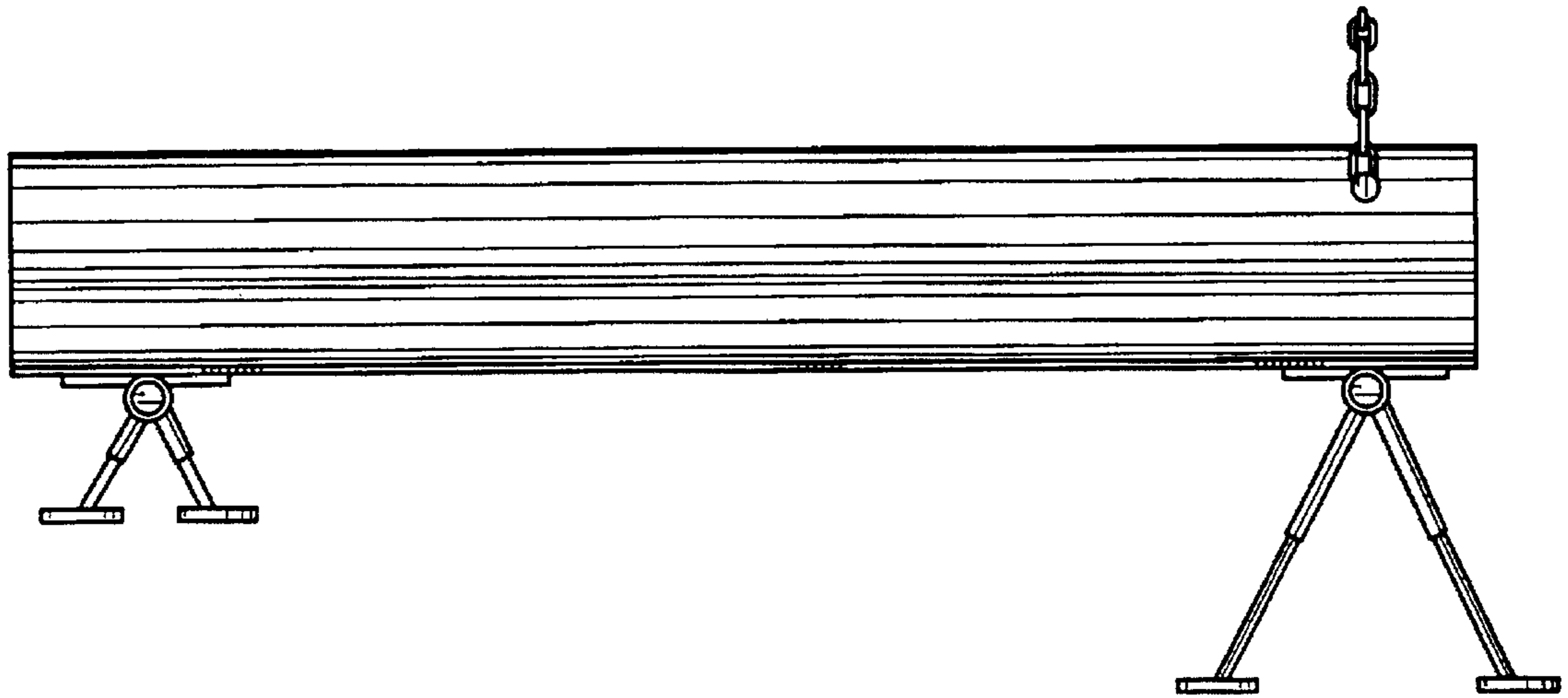


FIG. 2

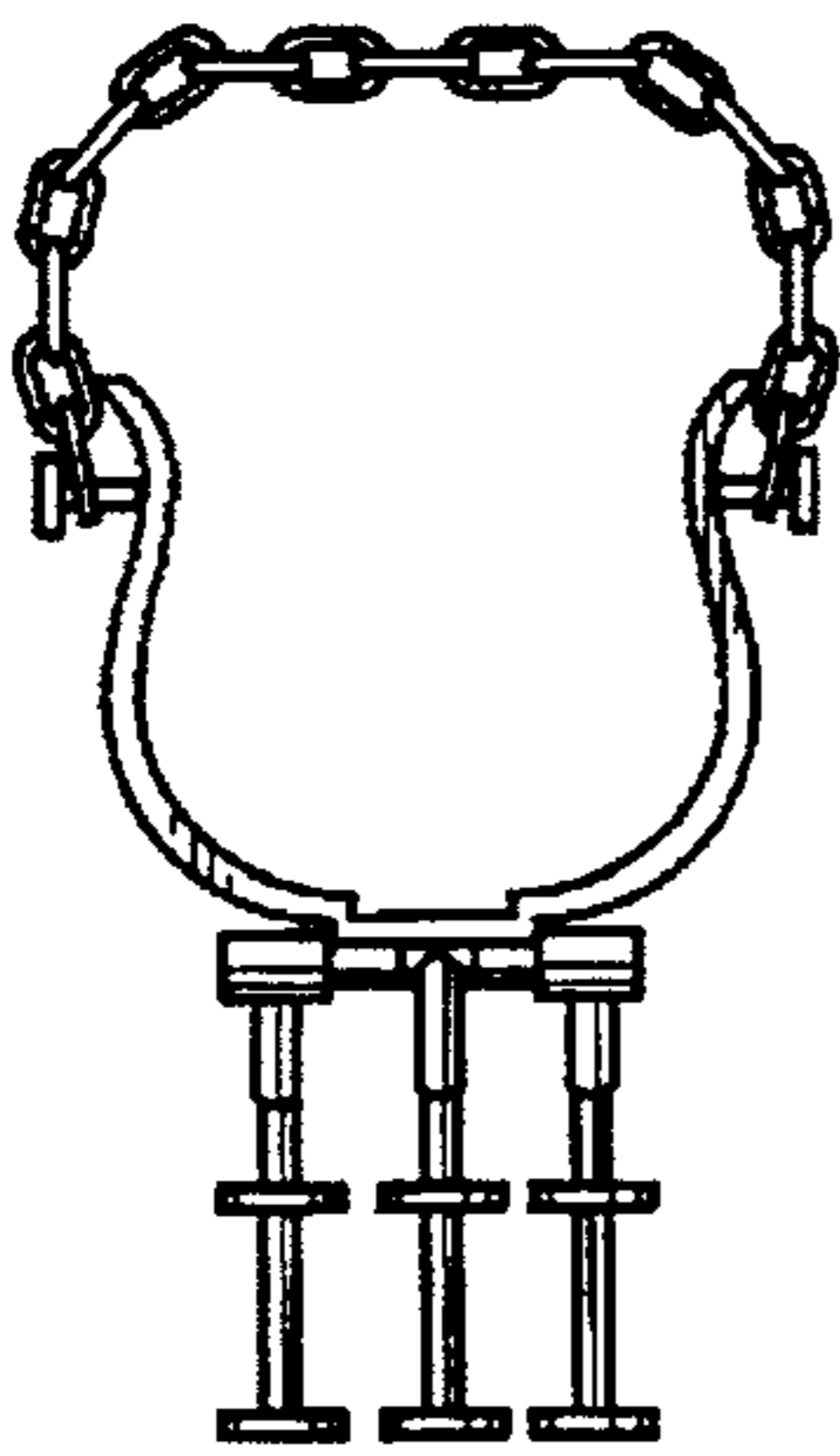


FIG. 3

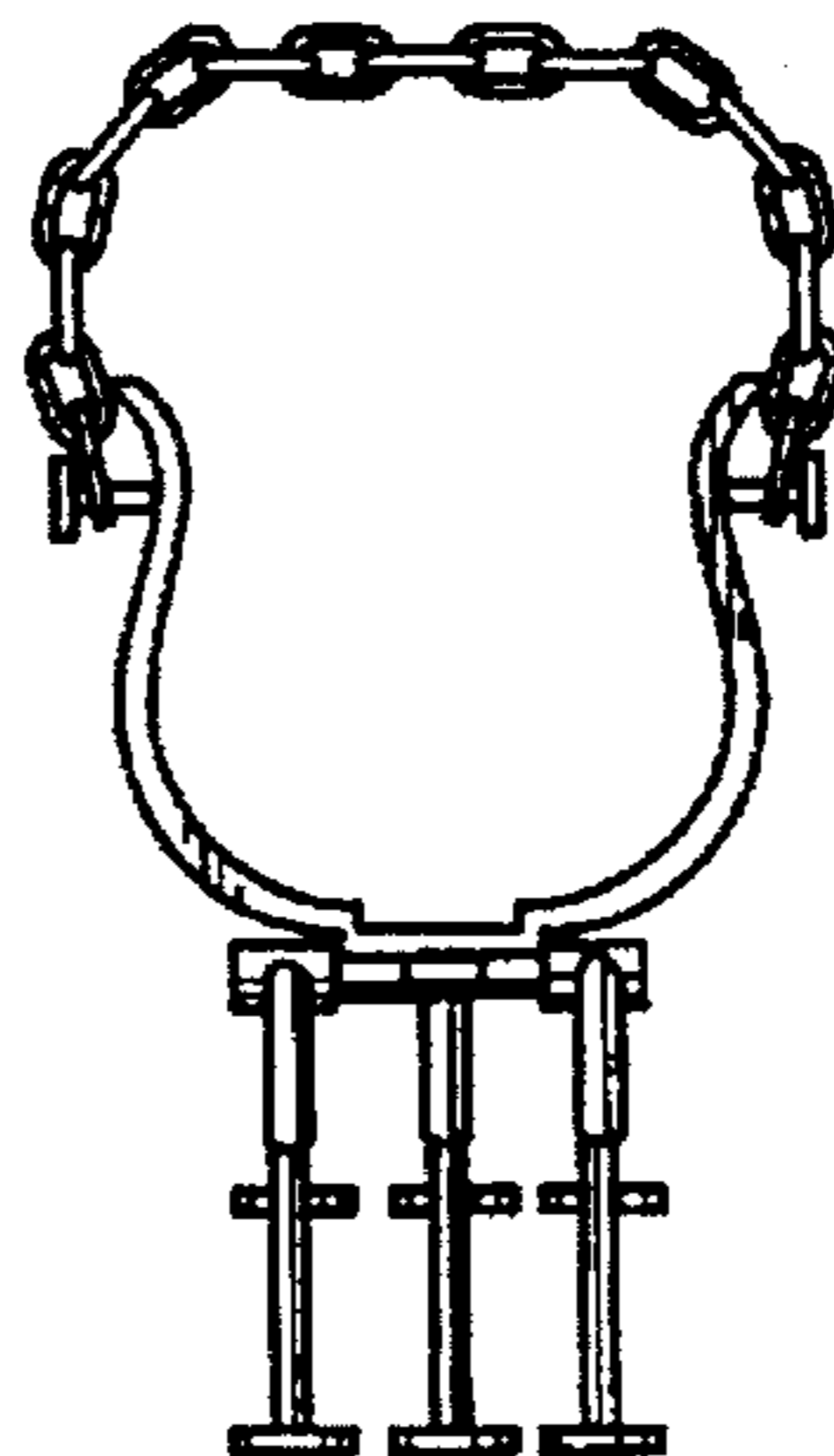


FIG. 4

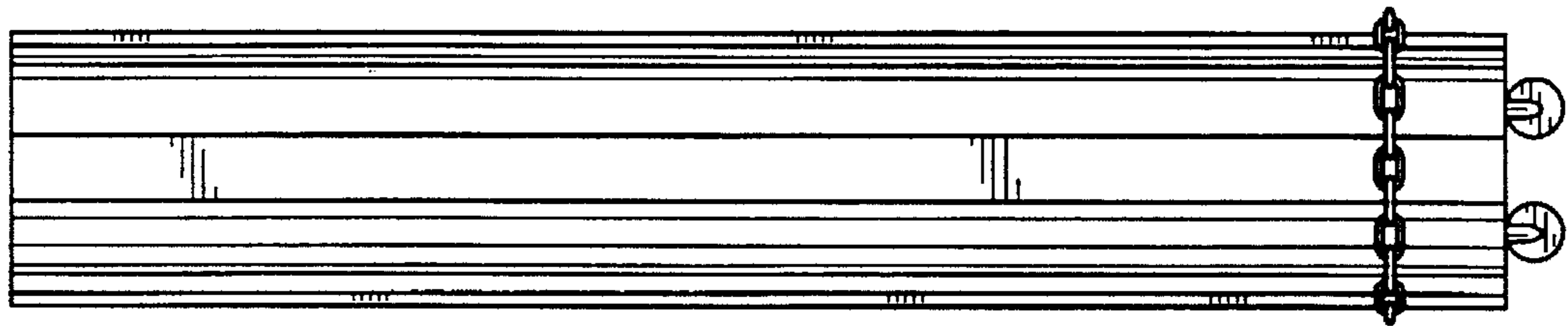


FIG. 5

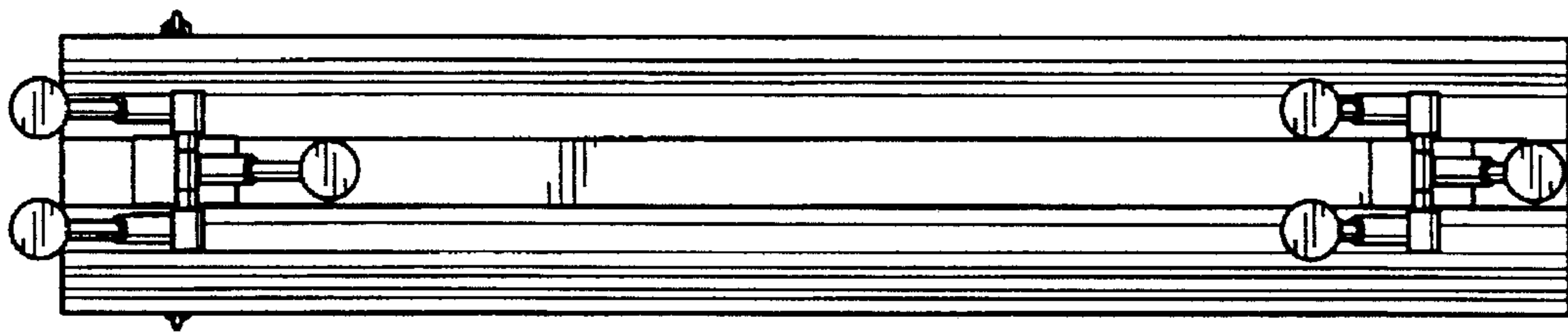


FIG. 6