



US00D381172S

United States Patent [19]

[11] Patent Number: Des. 381,172

Jackson et al.

[45] Date of Patent: **Jul. 15, 1997

[54] FISHING EQUIPMENT CART WITH SEAT

Primary Examiner—Kay H. Chin
Attorney, Agent, or Firm—Mills & Associates

[76] Inventors: **James M. Jackson; James W. Jackson**, both of 5780 Maxwell Rd., Autryville, N.C. 28318

[57] CLAIM

[**] Term: 14 Years

The ornamental design for a fishing equipment cart with seat, as shown and described.

[21] Appl. No.: 47,434

DESCRIPTION

[22] Filed: Dec. 4, 1995

FIG. 1 is a front elevational view of the fishing equipment cart with seat showing my new design;
FIG. 2 is a right side elevational view thereof;
FIG. 3 is a left side elevational view thereof;
FIG. 4 is a front elevational view thereof;
FIG. 5 is a rear elevational view thereof;
FIG. 6 is a top plan view thereof;
FIG. 7 is a second front elevational view thereof;
FIG. 8 is an exploded front elevational view thereof; and,
FIG. 9 is a front elevational view thereof with the seat folded so that additional equipment can be carried on the cart.

[51] LOC (6) Cl. 12-02

[52] U.S. Cl. D34/24; D34/26

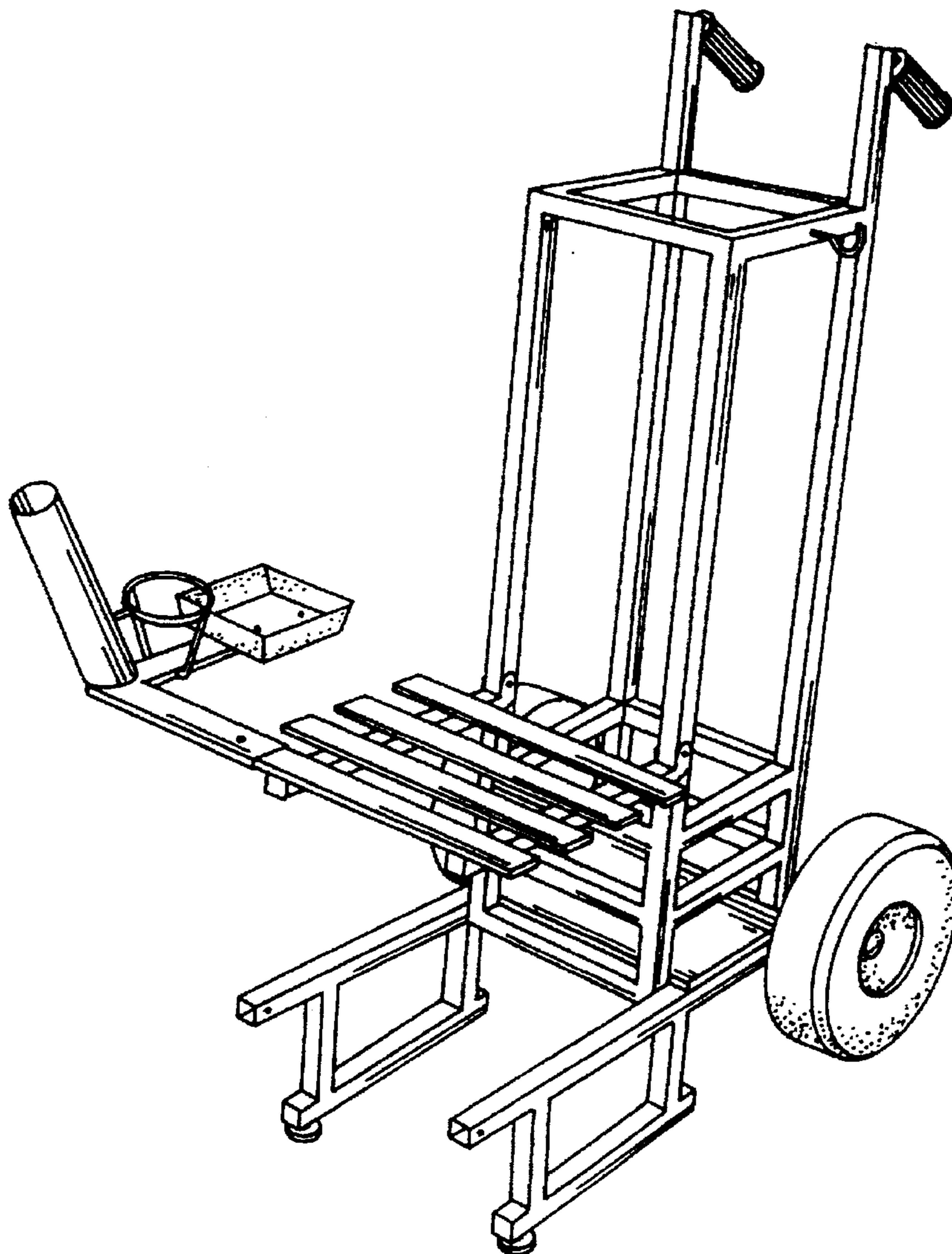
[58] Field of Search D34/12-27; 280/47.29, 280/47.26, 654, 47.19, 652, 655, 645

[56] References Cited

U.S. PATENT DOCUMENTS

5,203,815	4/1993	Miller	280/47.19	X
5,333,885	8/1994	Pullman	280/47.19	
5,439,241	8/1995	Nelson	280/645	

1 Claim, 5 Drawing Sheets



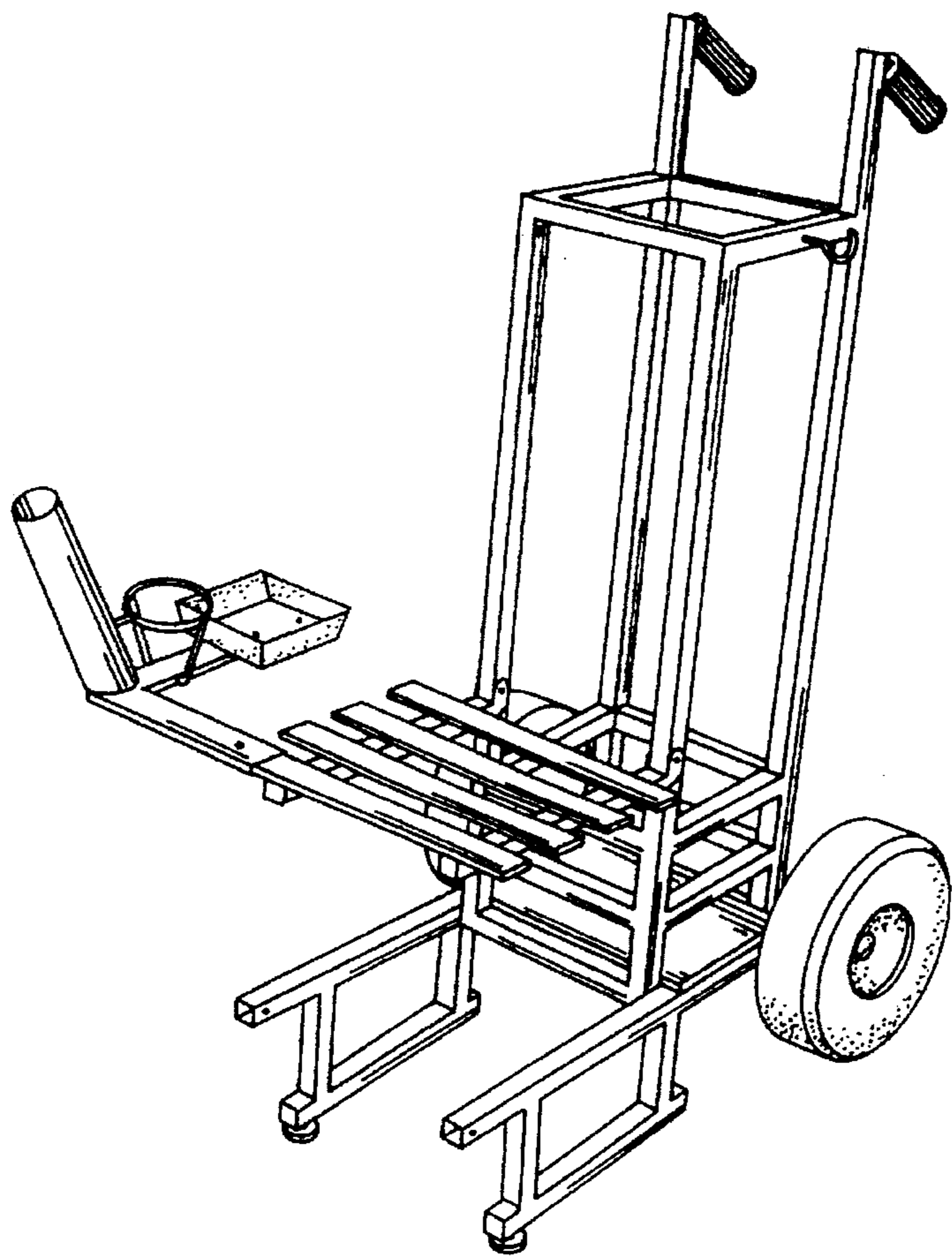


FIG. 1

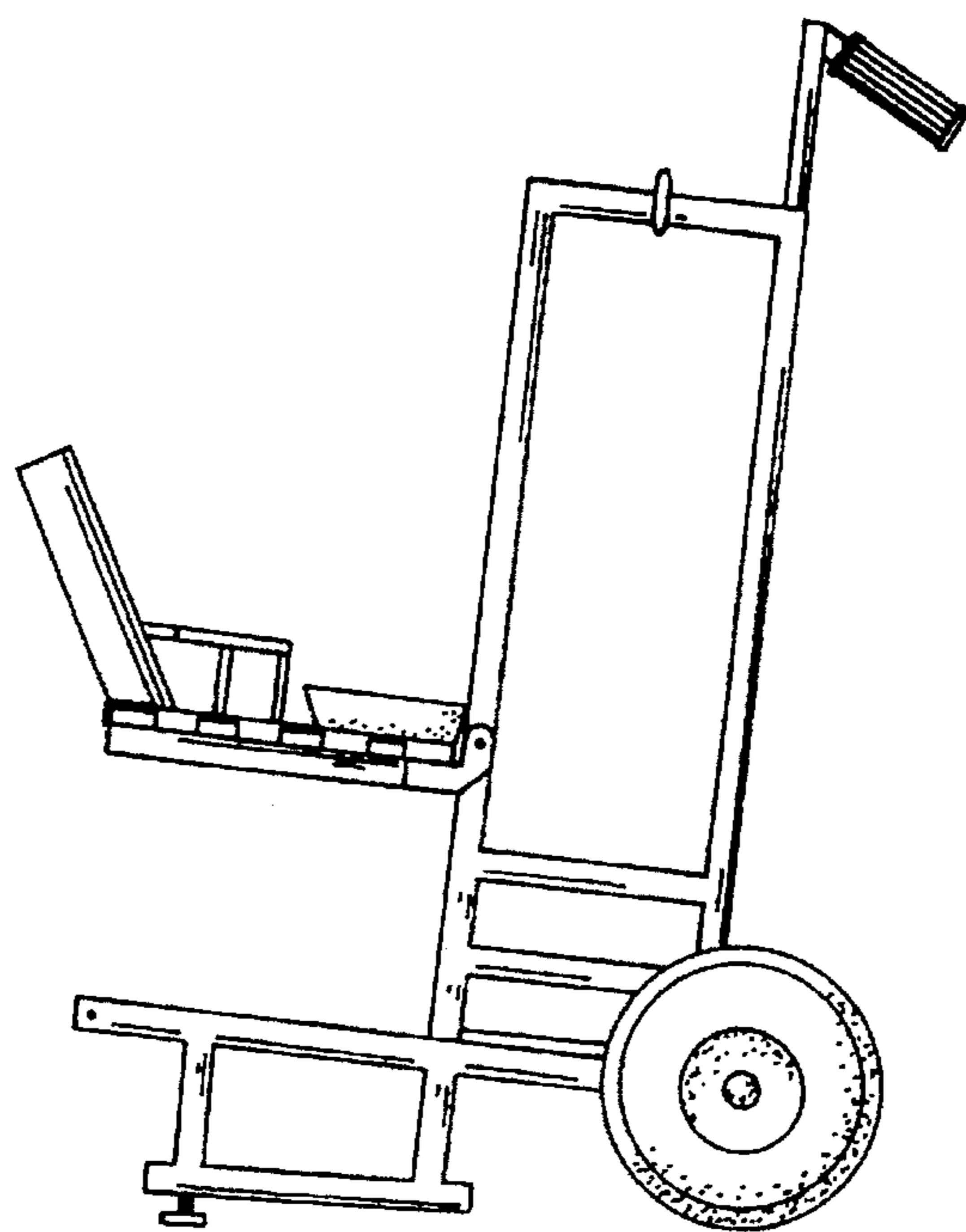


FIG. 2

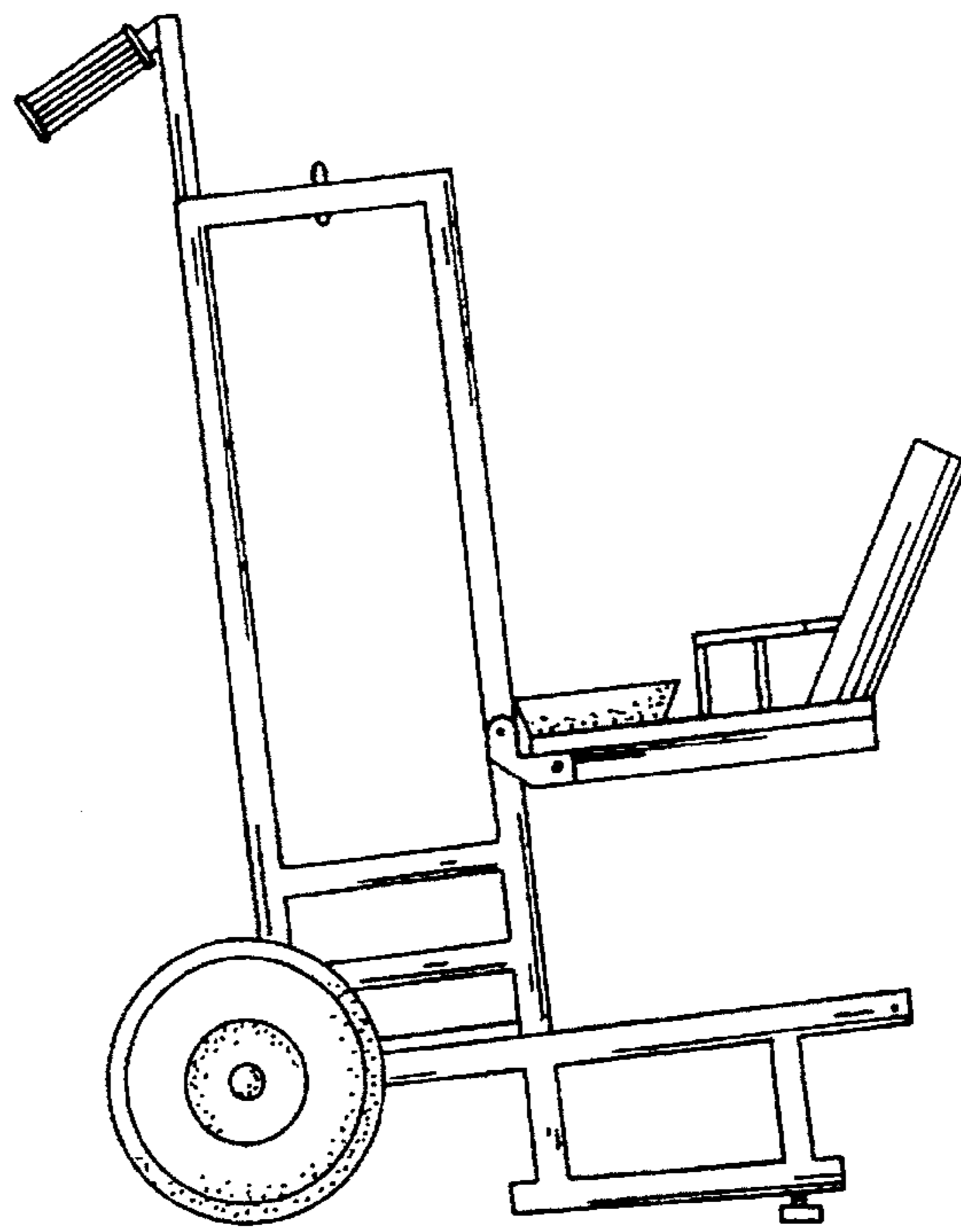


FIG. 3

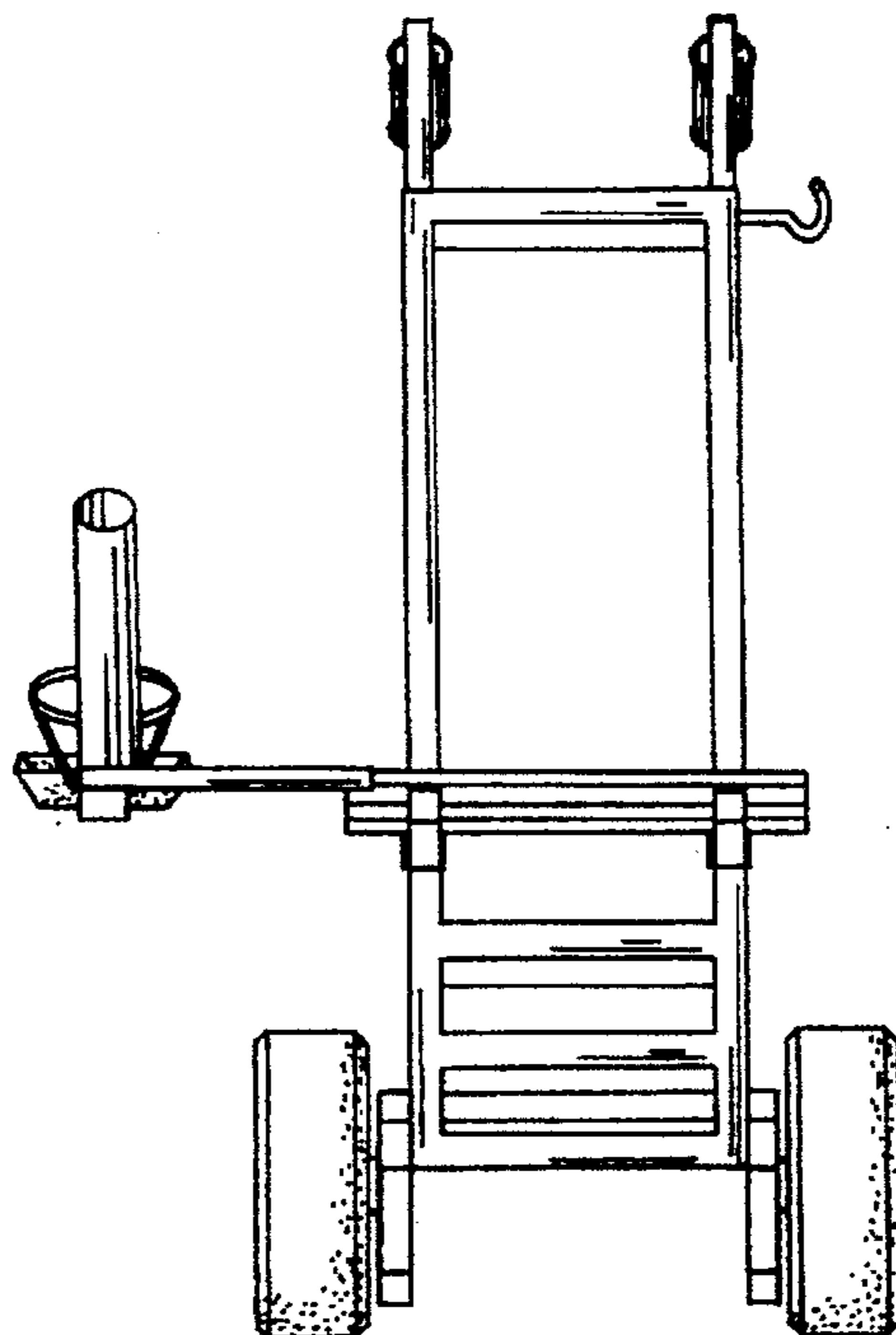


FIG. 4

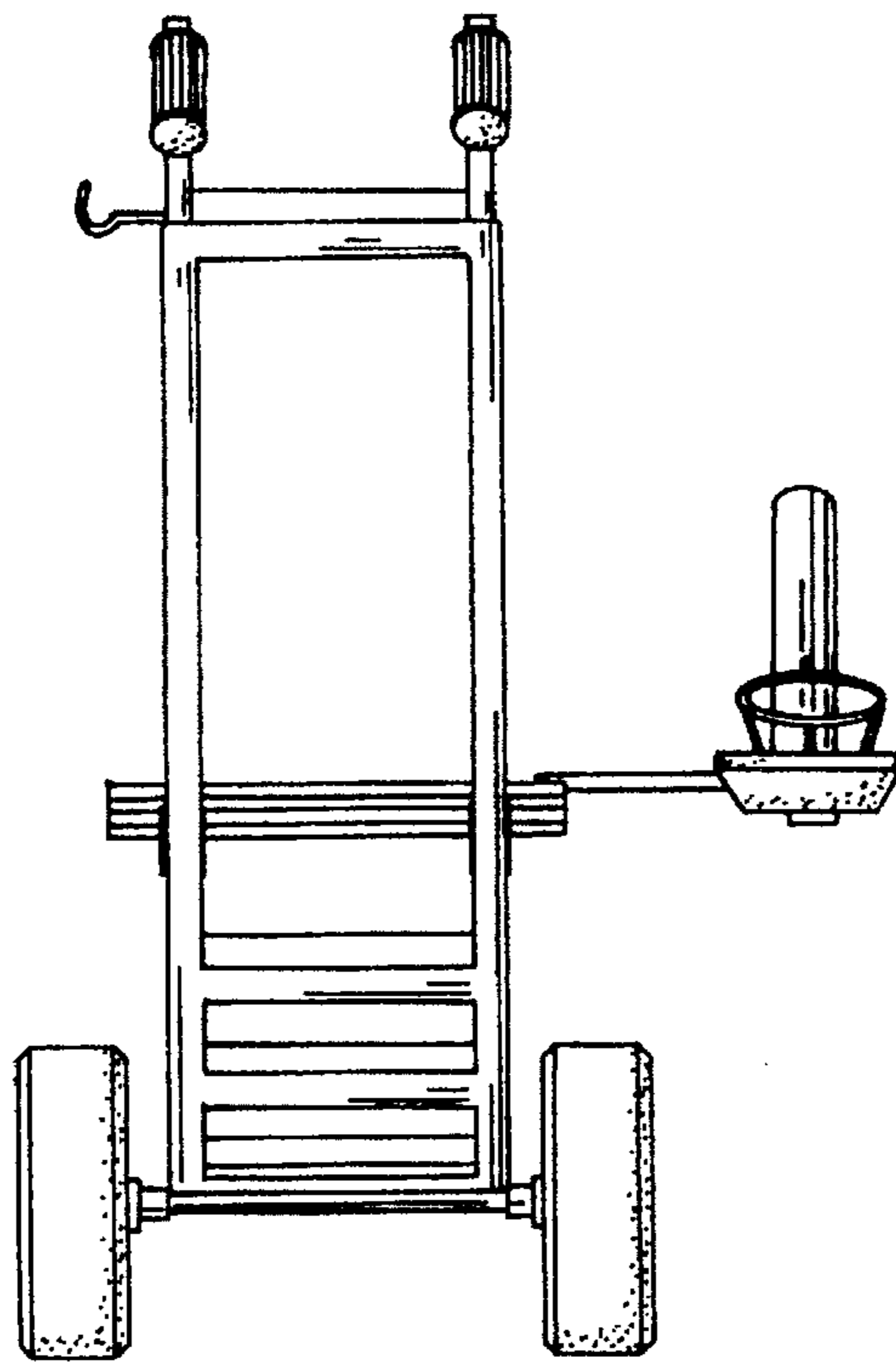


FIG. 5

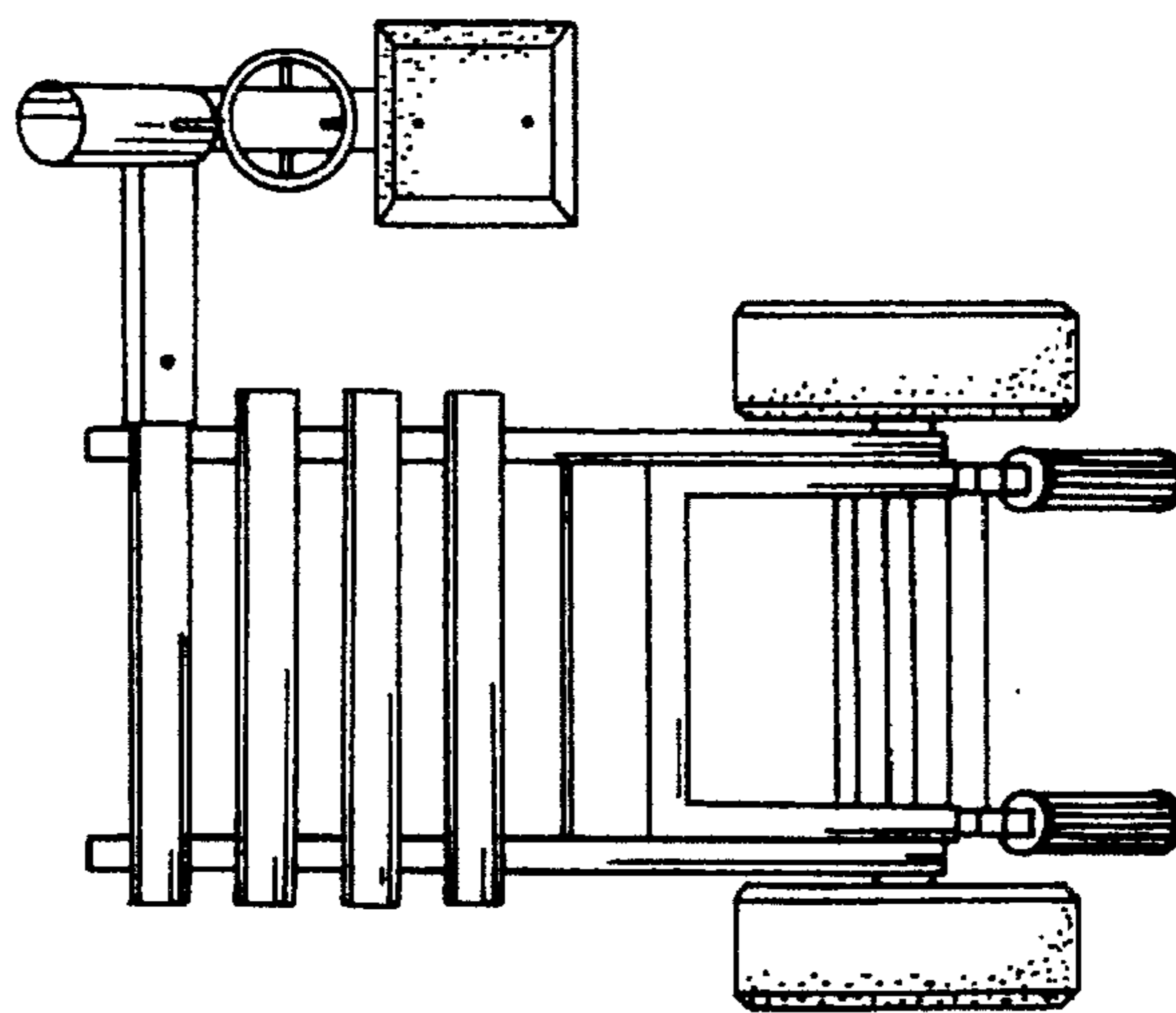


FIG. 6

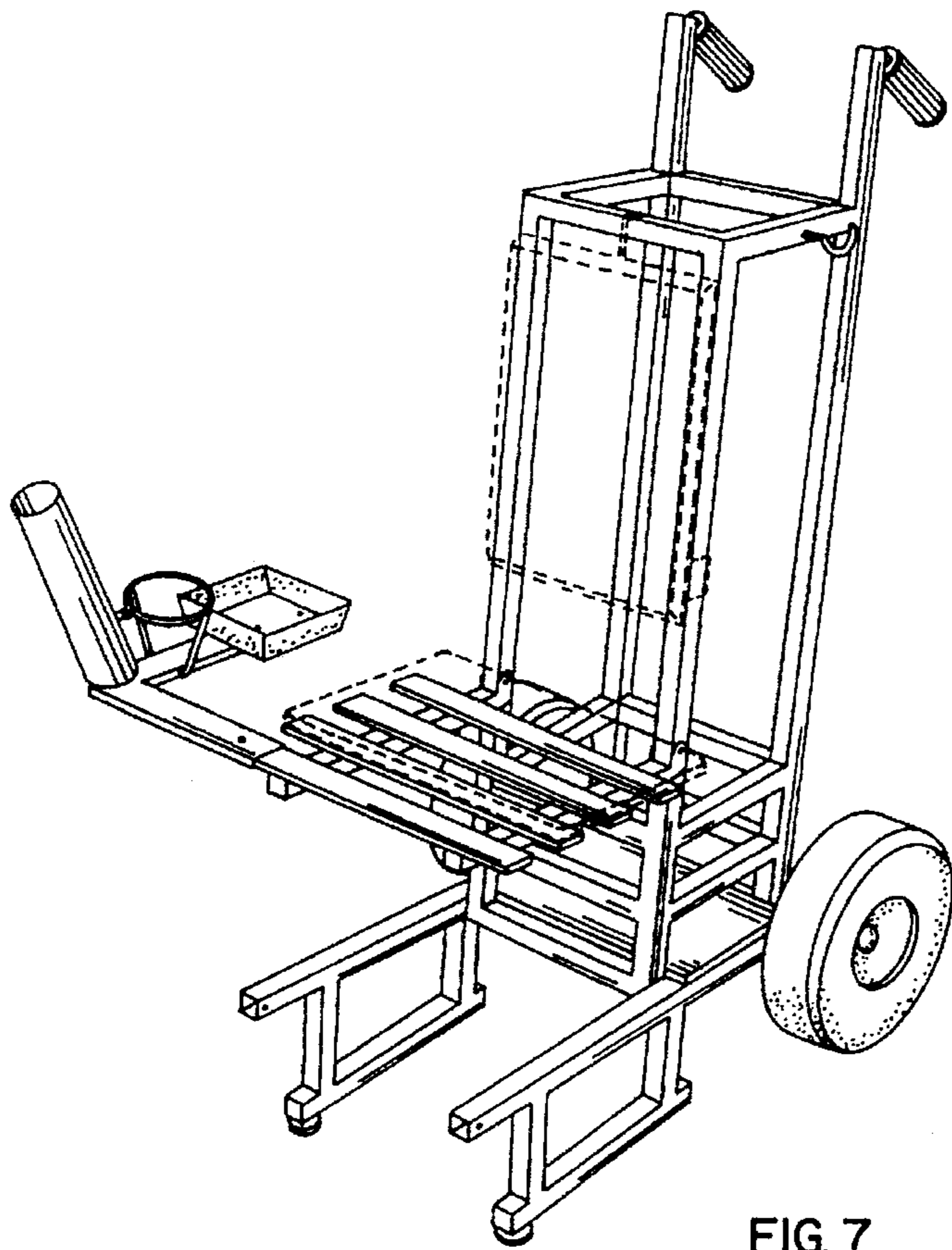


FIG. 7

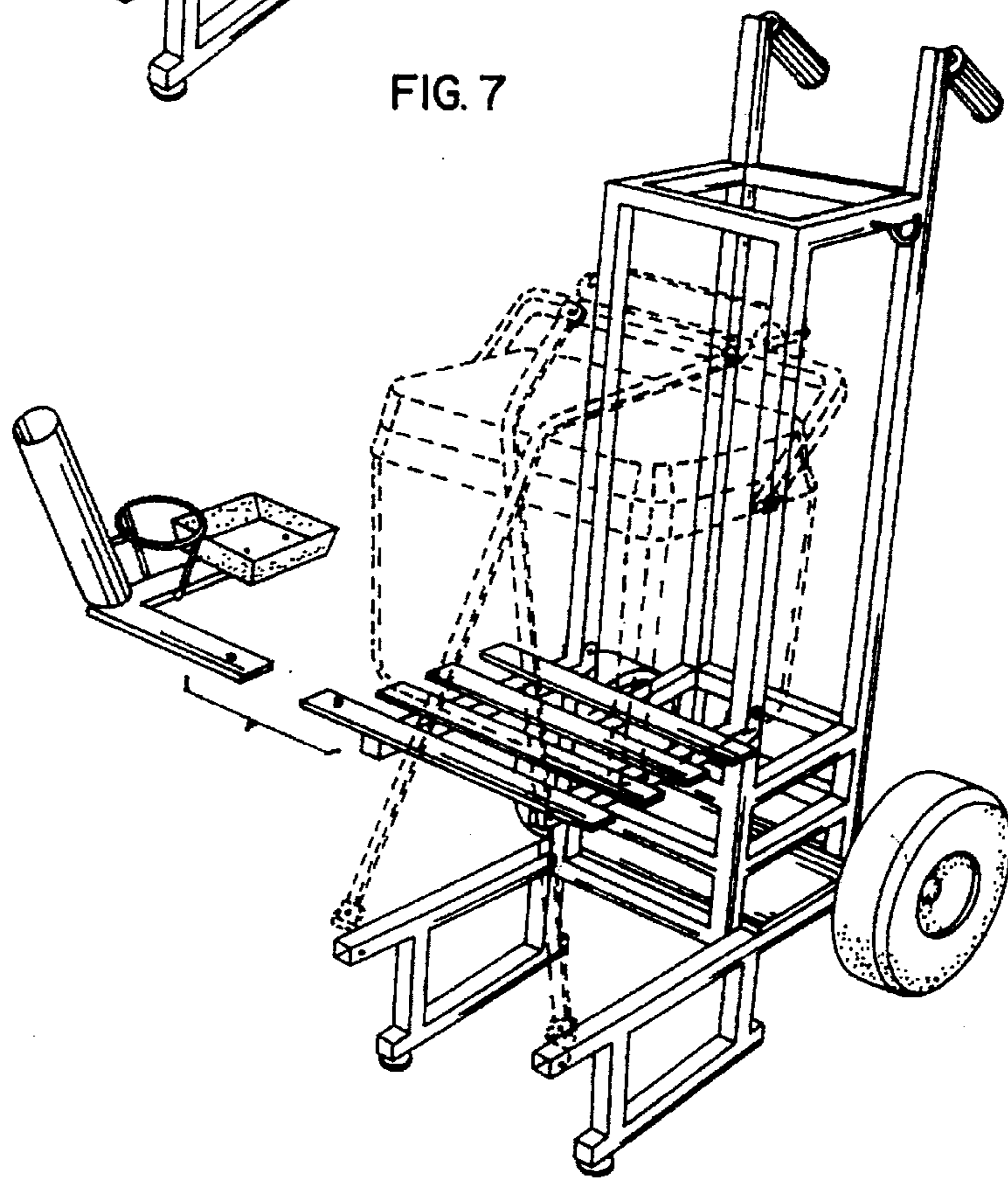


FIG. 8

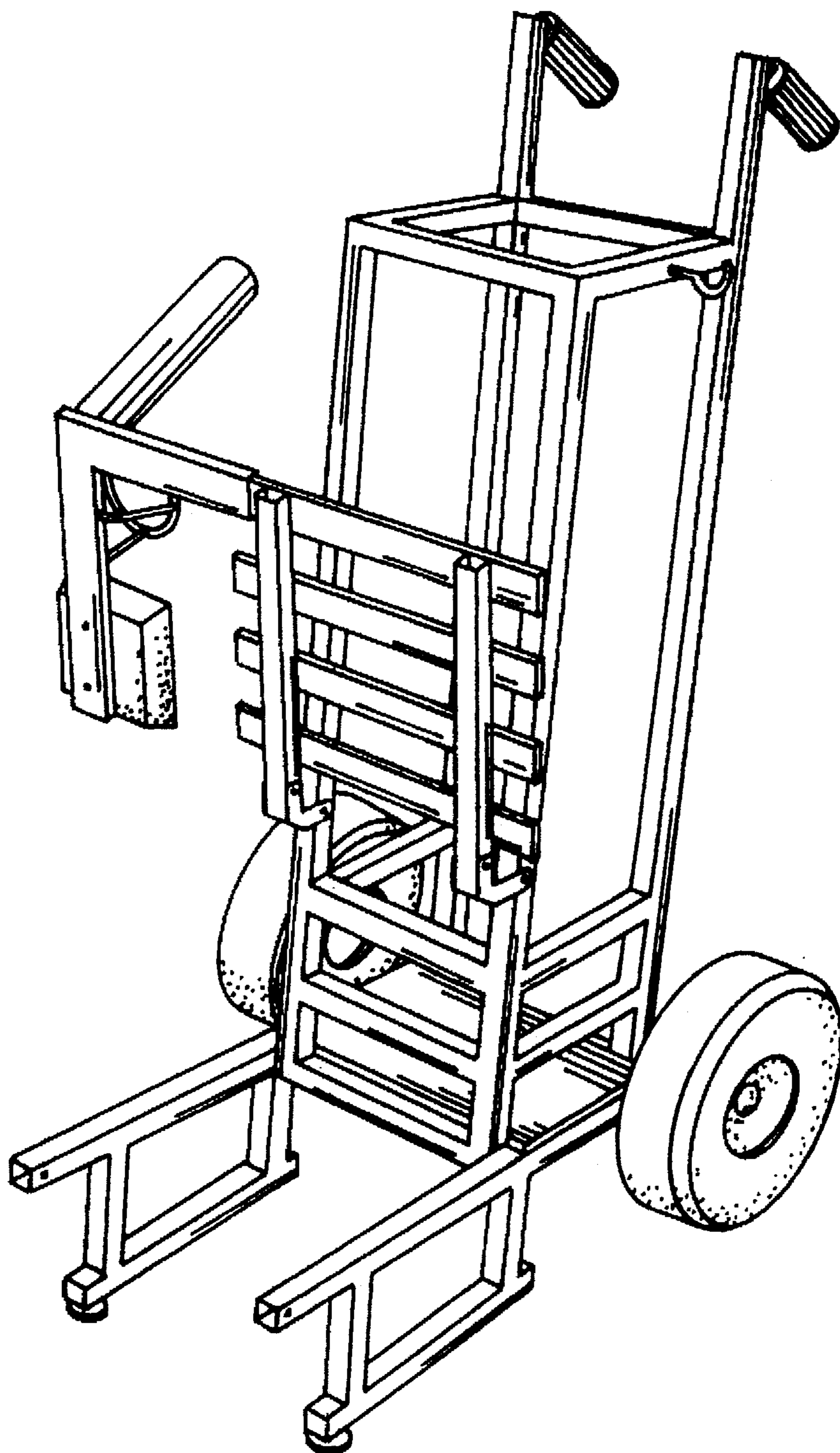


FIG. 9