



US00D381171S

United States Patent [19]
Culverson

[11] **Patent Number: Des. 381,171**
[45] **Date of Patent: **Jul. 15, 1997**

[54] **BEER KEG DOLLY**
[76] **Inventor: Harold G. Culverson**, 4111 N. Golden State #104, Fresno, Calif. 93727
[**] **Term: 14 Years**
[21] **Appl. No.: 54,796**
[22] **Filed: May 22, 1996**
[51] **LOC (6) Cl. 12-02**
[52] **U.S. Cl. D34/23**
[58] **Field of Search D34/12-27; 280/79.11, 280/79.3, 79.5**

5,472,220 12/1995 Stephan 280/79.5

Primary Examiner—Kay H. Chin
Attorney, Agent, or Firm—Basil Travis

[57] **CLAIM**

The ornamental design for a beer keg dolly, as shown and described.

DESCRIPTION

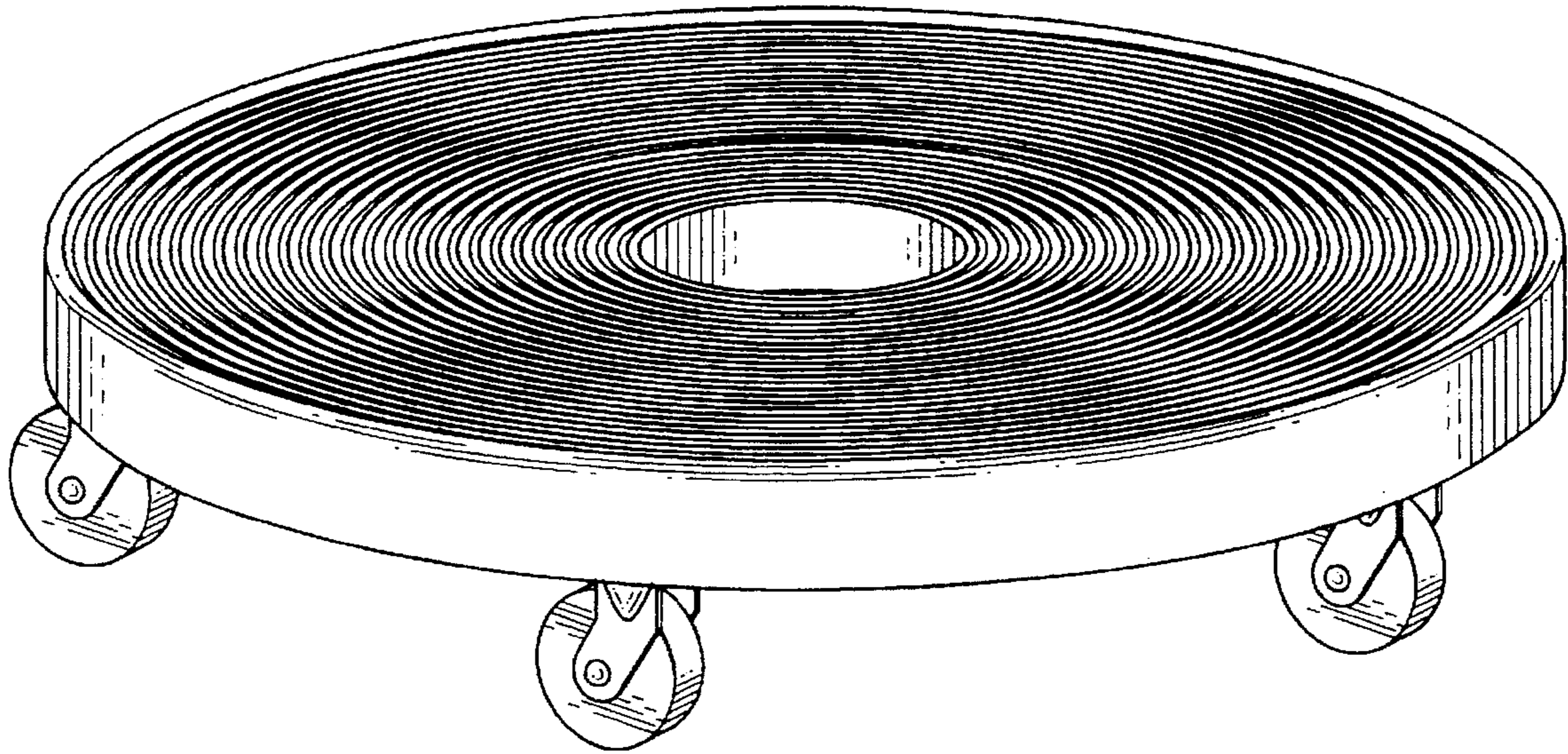
FIG. 1 is a front, side and top perspective view of a beer keg dolly showing my new design;
FIG. 2 is a bottom perspective view thereof;
FIG. 3 is a side elevational view, the opposite side being a mirror image thereof;
FIG. 4 is a front elevational view, the rear being a mirror image thereof;
FIG. 5 is a top plan view;
FIG. 6 is a bottom plan view; and,
FIG. 7 is a sectional view taken along lines 7—7 of FIG. 6.

[56] **References Cited**

U.S. PATENT DOCUMENTS

D. 276,948	12/1984	Wacek et al.	D34/23
D. 309,811	8/1990	Terruzzi	D34/23
2,351,293	6/1944	Saunders	D34/23
4,824,129	4/1989	Rehrig	280/79.11

1 Claim, 2 Drawing Sheets



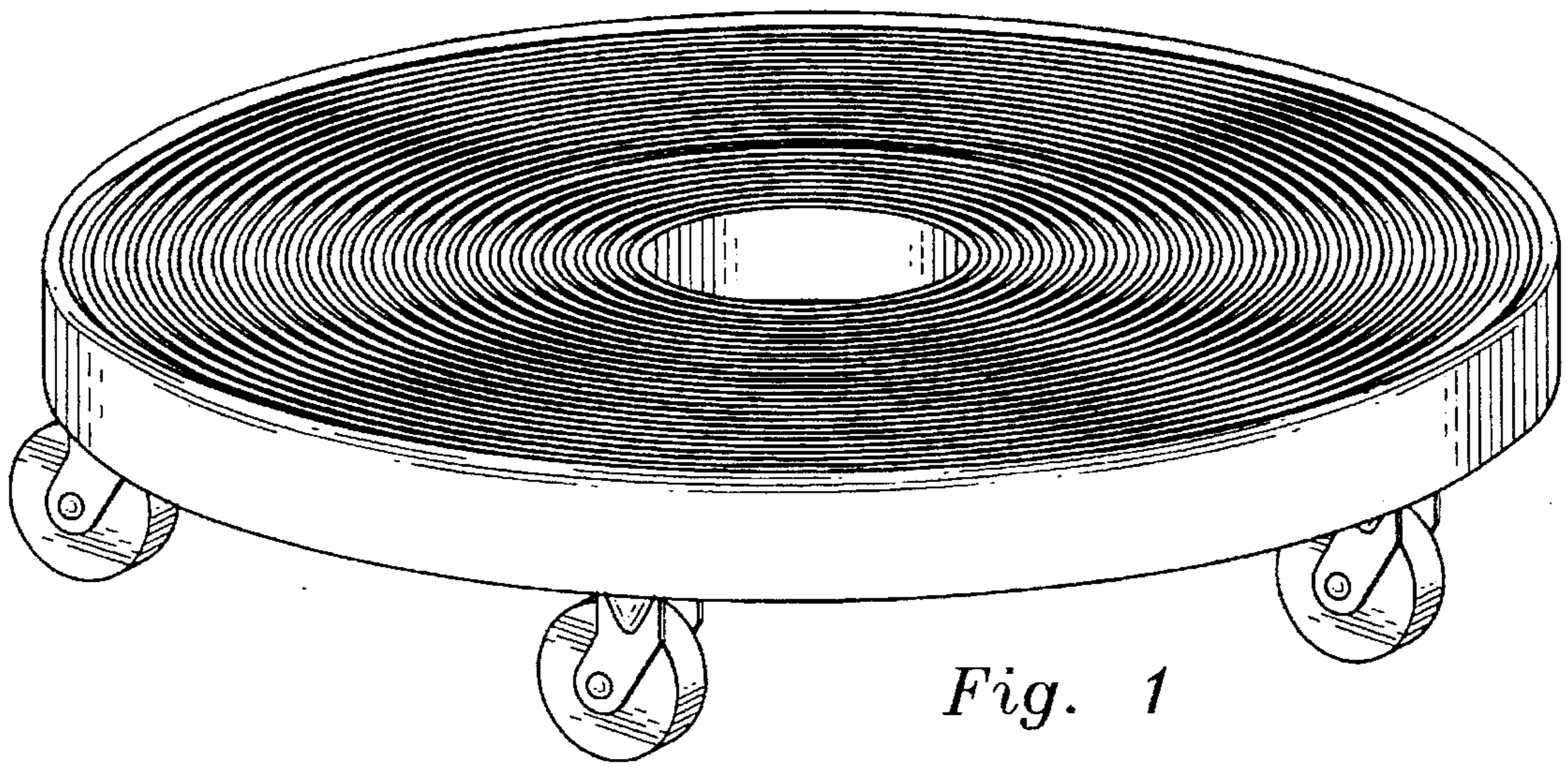


Fig. 1

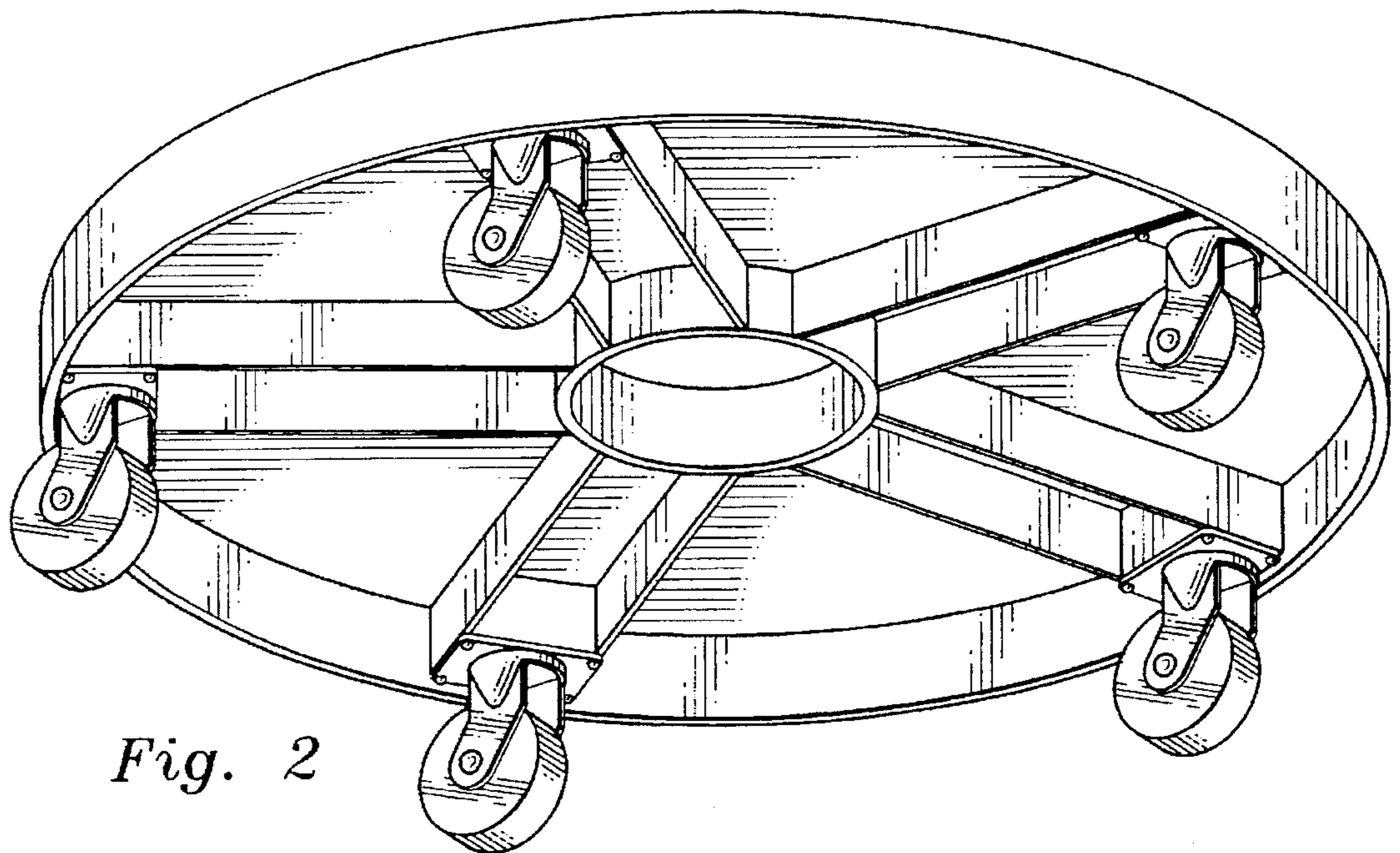


Fig. 2

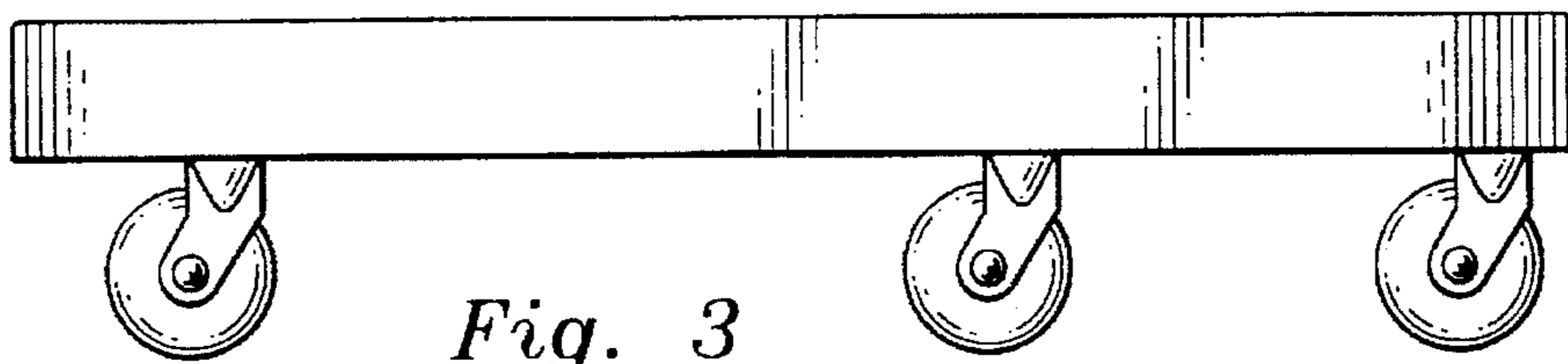


Fig. 3

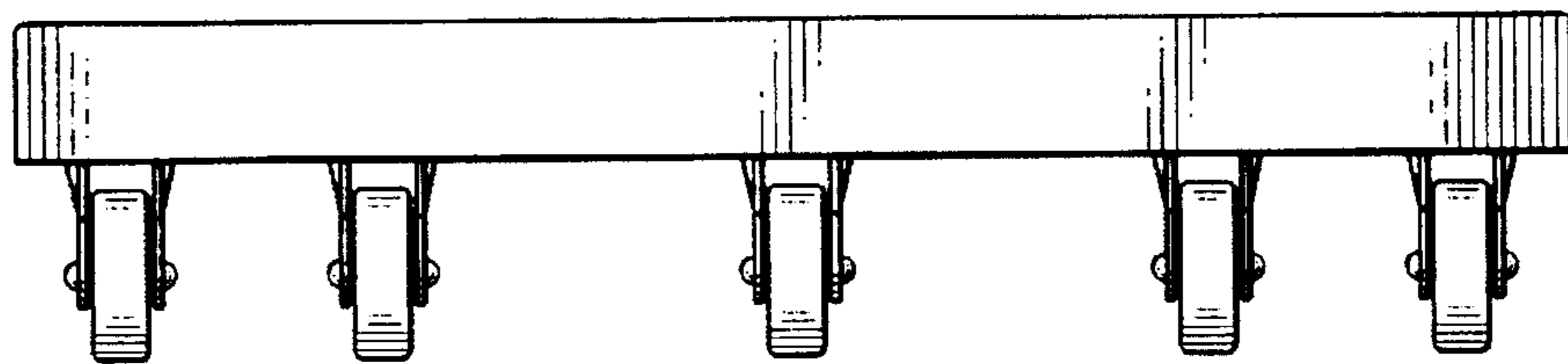


Fig. 4

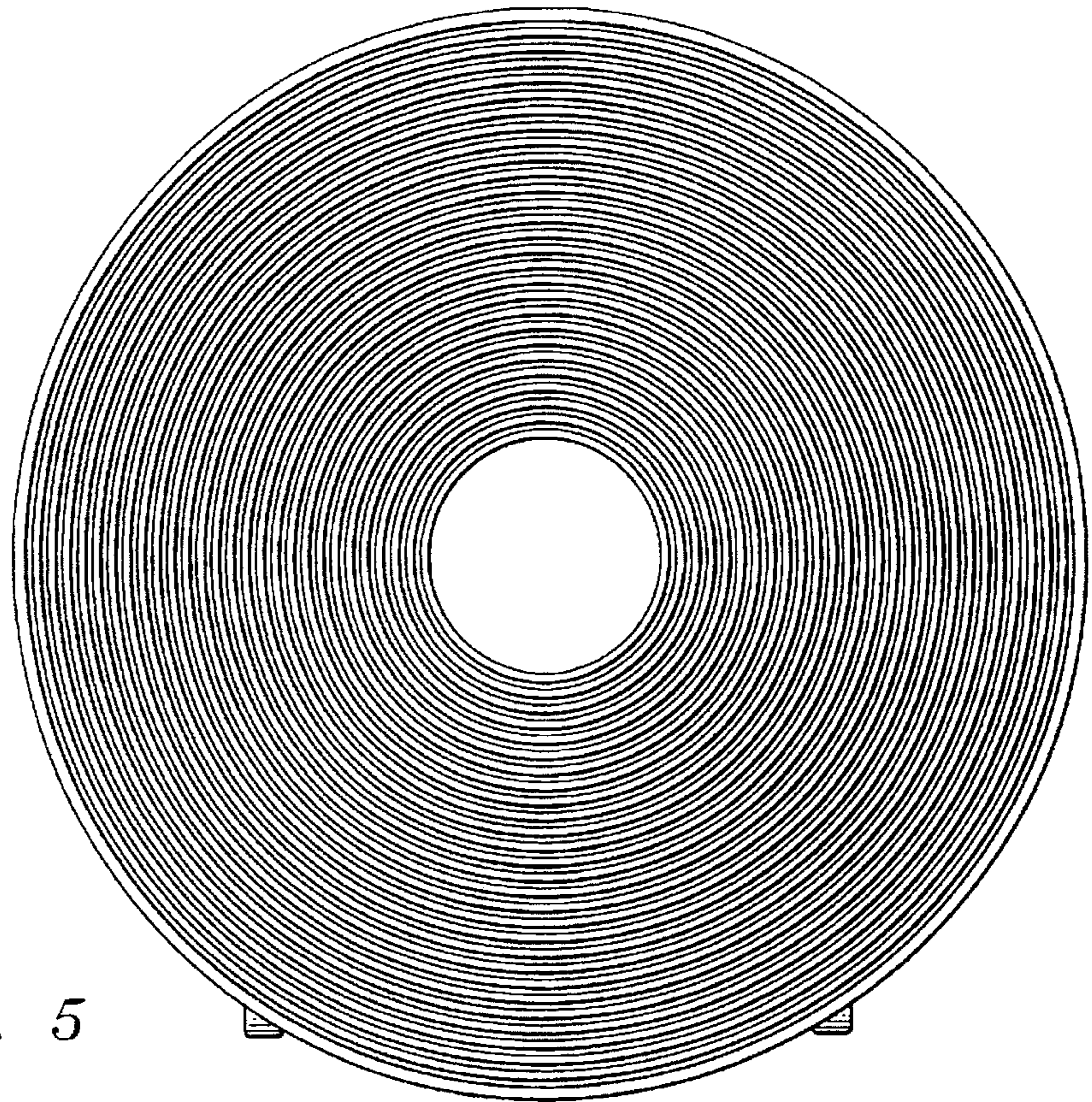
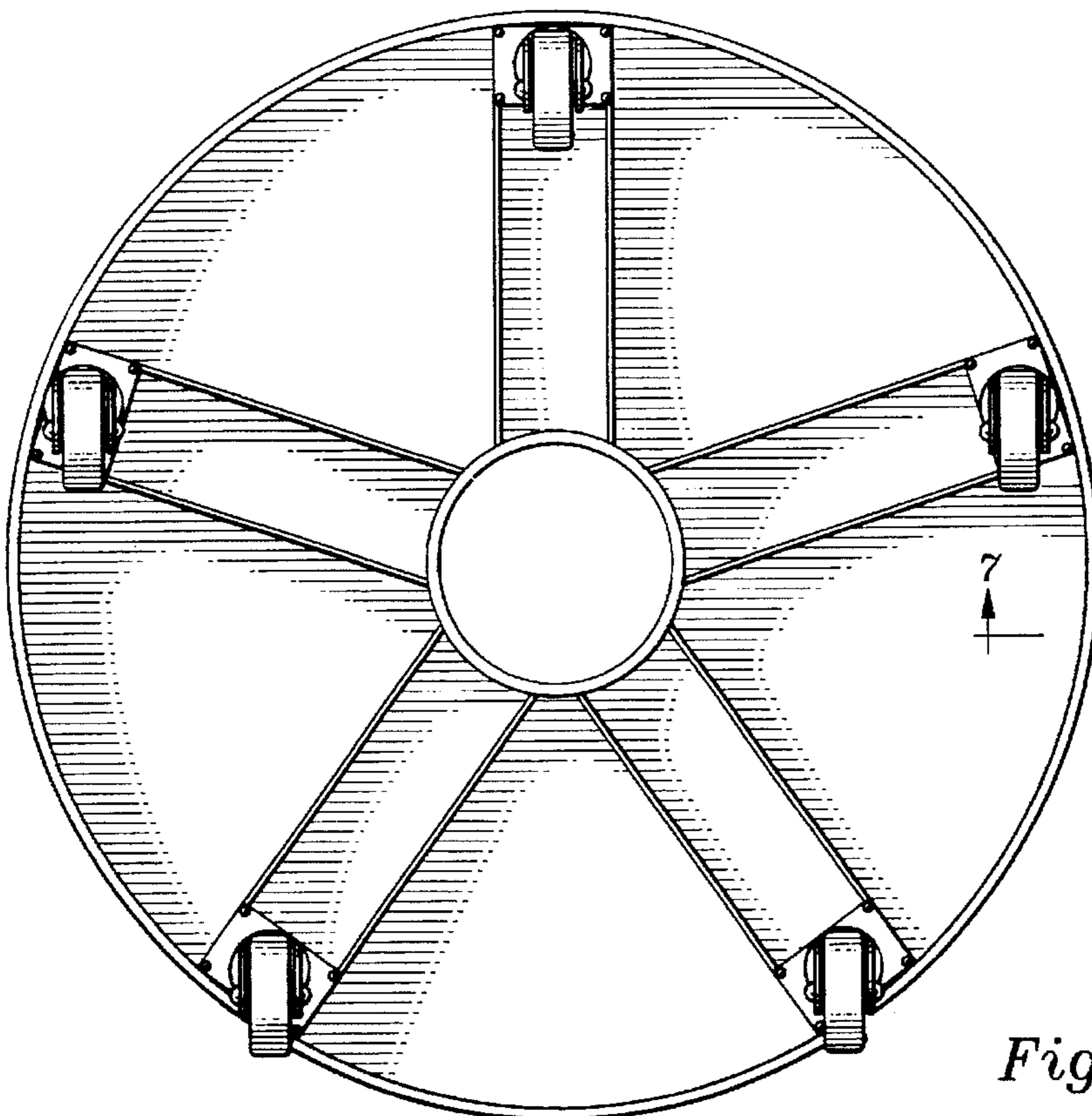


Fig. 5



7

7

Fig. 6

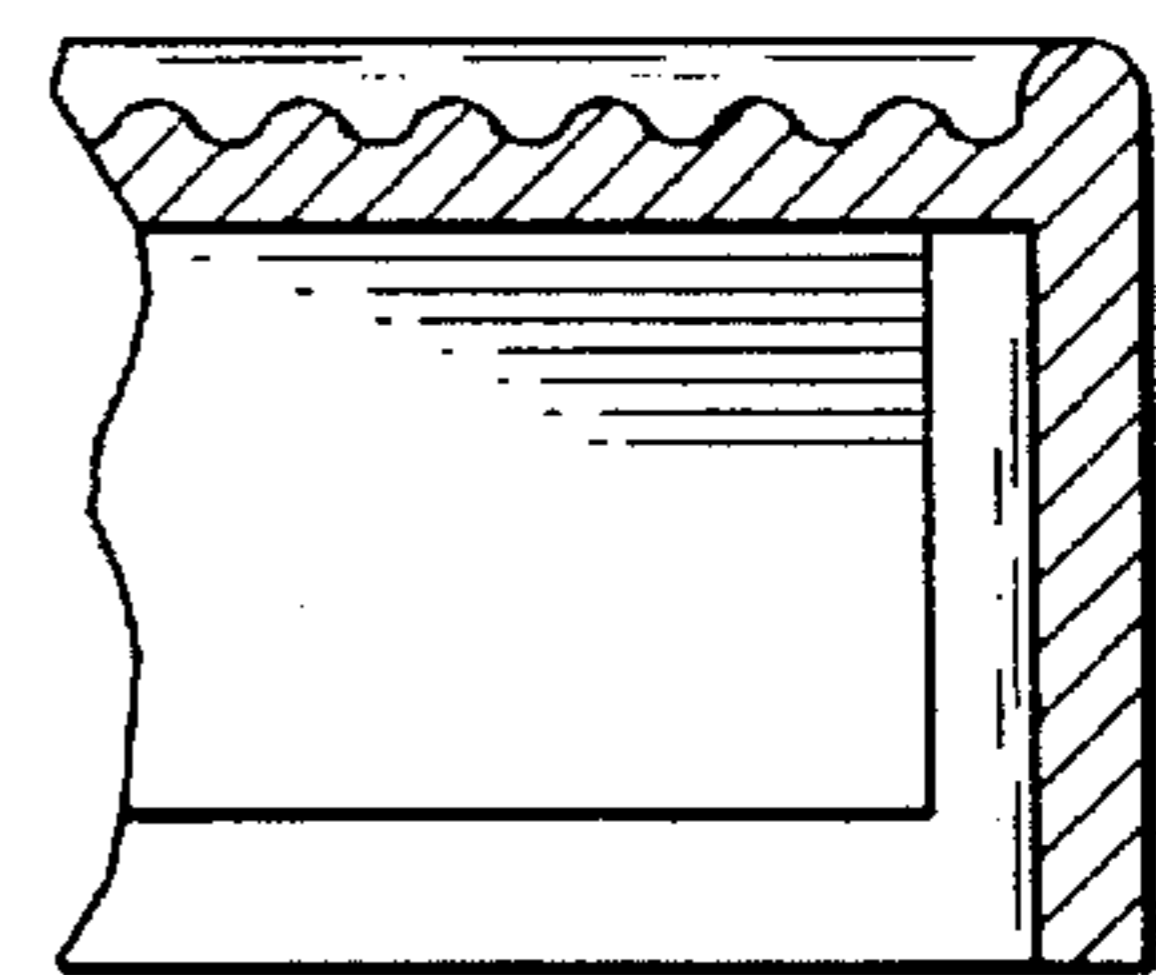


Fig. 7