



US00D381170S

United States Patent [19]

Dawkins

[11] Patent Number: **Des. 381,170**

[45] Date of Patent: ****Jul. 15, 1997**

[54] **GARDEN DOLLY**

[76] Inventor: **Emmitt Dawkins**, 2414 Bells Rd.,
Richmond, Va. 23234

[**] Term: **14 Years**

[21] Appl. No.: **52,619**

[22] Filed: **Apr. 1, 1996**

[51] LOC (6) Cl. **12-02**

[52] U.S. Cl. **D34/23; D34/17; D6/336**

[58] Field of Search **D34/12-27; 280/47.35,
280/47.34, 47.26, 79.11; D6/336**

D. 332,682 1/1993 Staab D34/17
D. 344,915 3/1994 Jarke .
D. 347,527 6/1994 Breen et al. .
4,456,294 6/1984 Lange et al. .
5,112,103 5/1992 Downer .

Primary Examiner—**Kay H. Chin**

[57] CLAIM

The ornamental design for the garden dolly, as shown and described.

DESCRIPTION

FIG. 1 is a perspective view of the garden dolly showing my new design;

FIG. 2 is a front elevational view thereof;

FIG. 3 is a side elevational view thereof;

FIG. 4 is top plan view thereof; and,

FIG. 5 is a bottom plan view thereof.

The broken lines shown in FIG. 2 are for illustrative purposes only and from no part of the claimed design.

[56] References Cited

U.S. PATENT DOCUMENTS

D. 237,872 12/1975 Miller D34/23
D. 271,256 11/1983 McClelland .
D. 295,099 4/1988 Gallagher et al. D34/23
D. 298,674 11/1988 Koller, Sr. D34/23
D. 321,796 11/1991 Forrand .

1 Claim, 3 Drawing Sheets

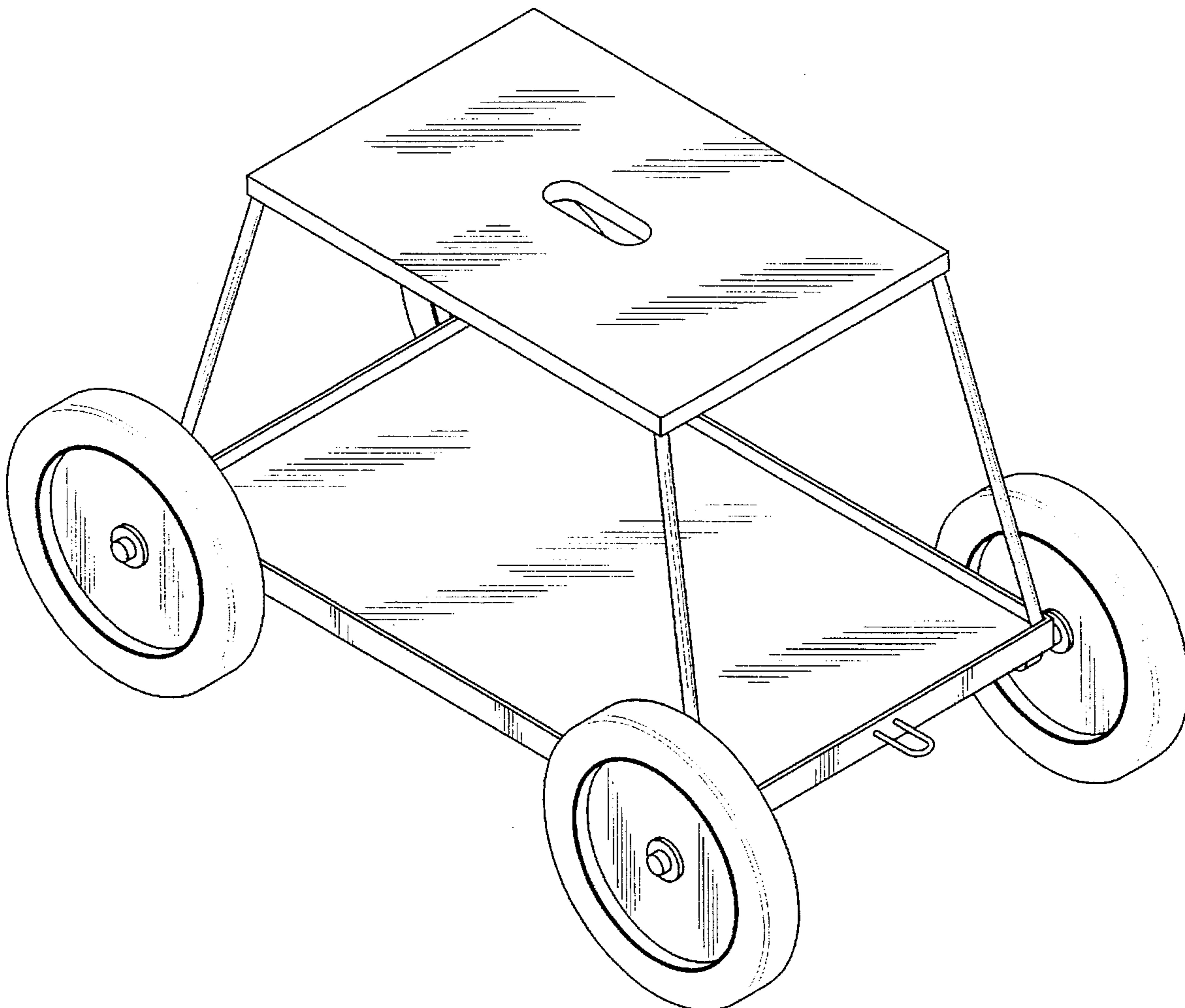


FIG. 1

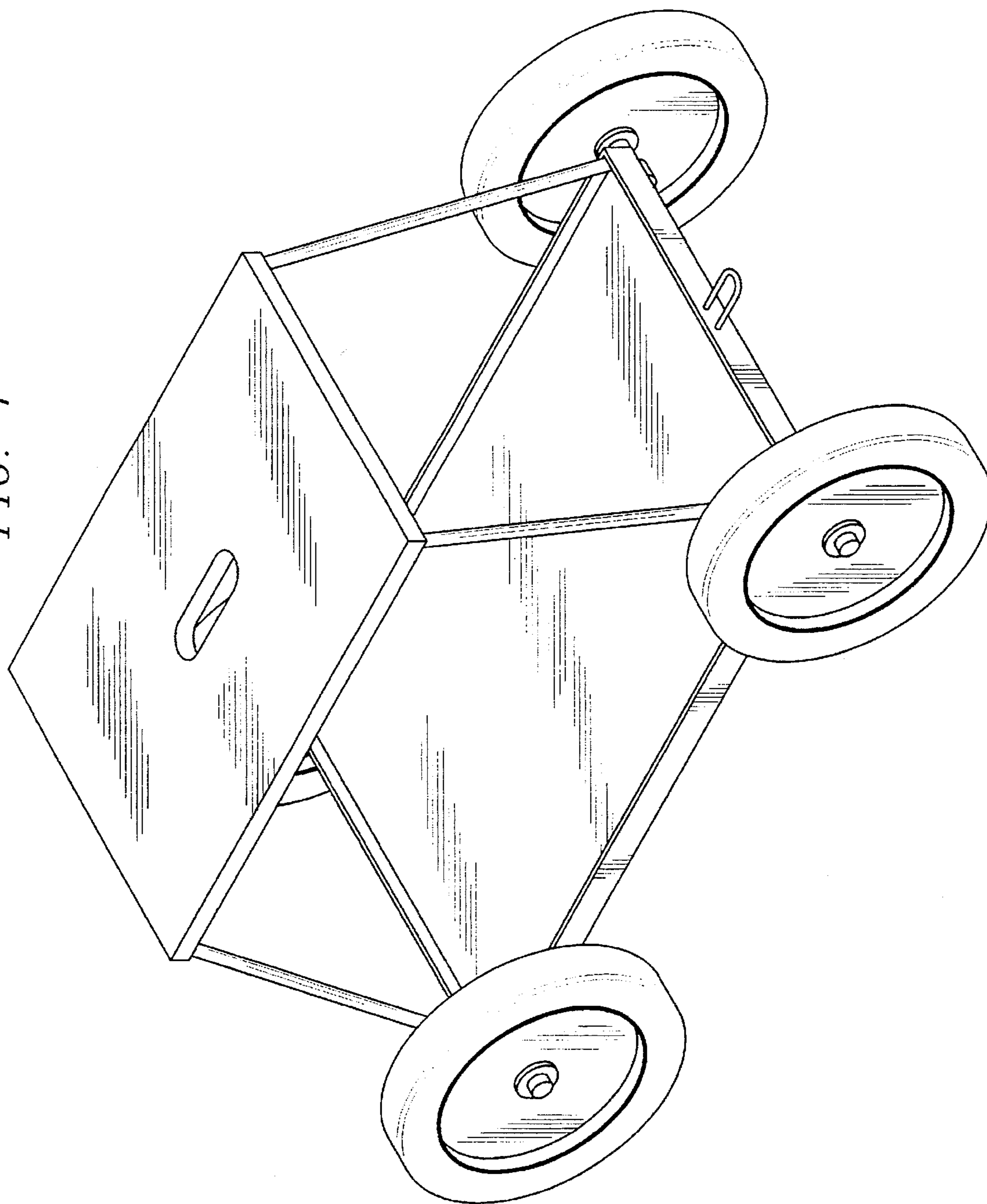


FIG. 2

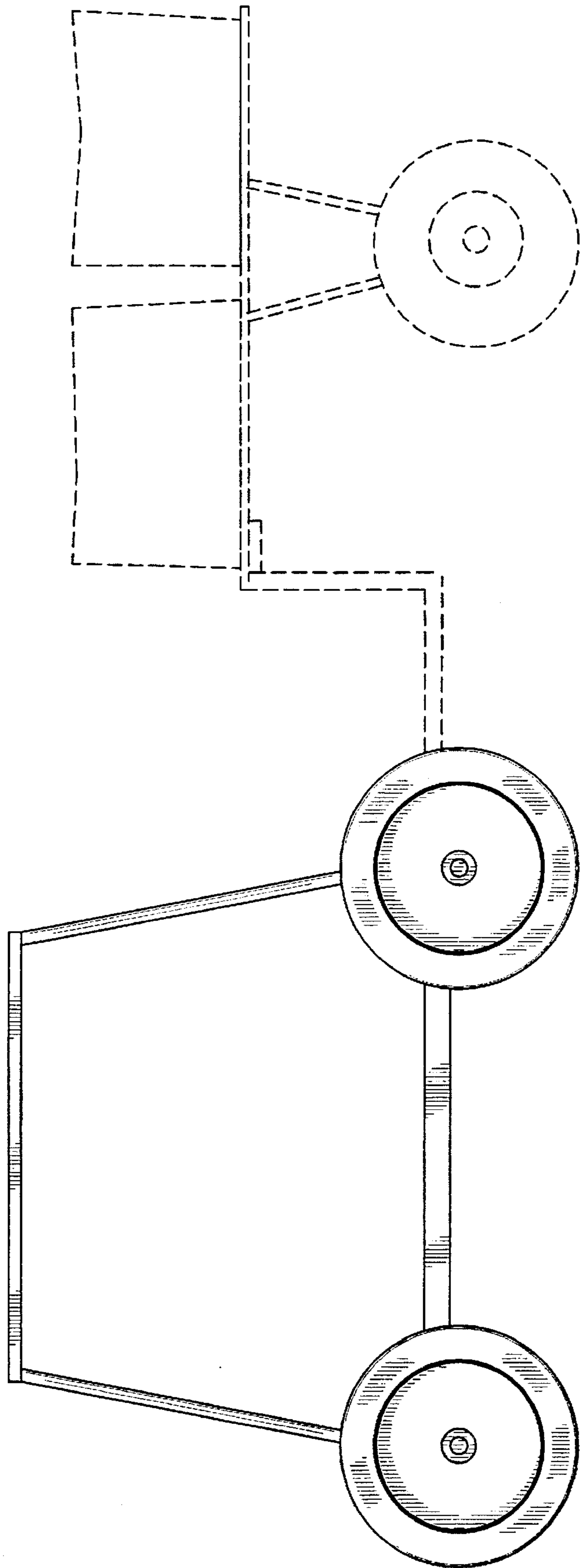


FIG. 3

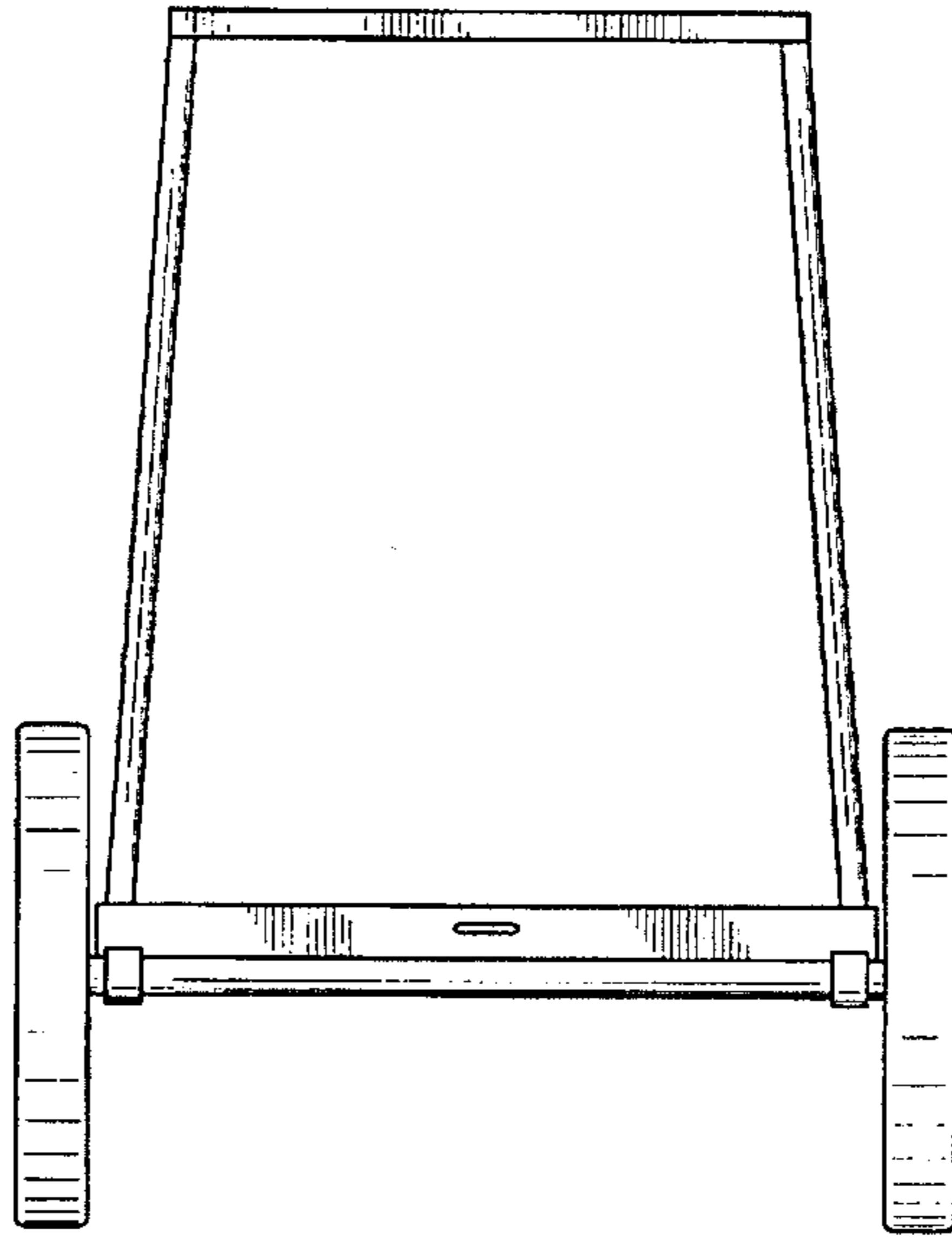


FIG. 4

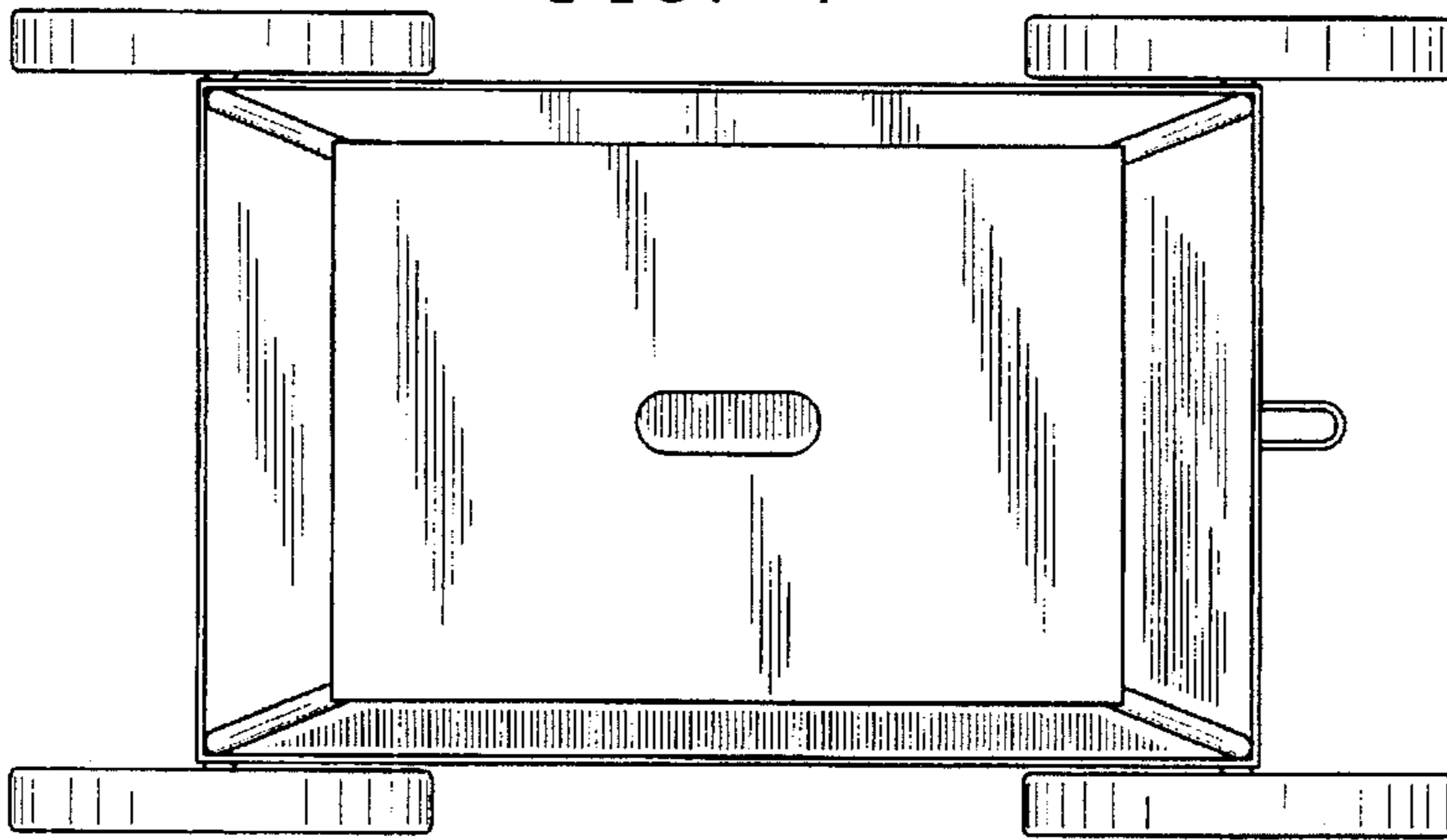


FIG. 5

