



US00D381169S

United States Patent [19]

Kovens et al.

[11] Patent Number: **Des. 381,169**

[45] Date of Patent: ****Jul. 15, 1997**

[54] **STAND**

D. 317,686 6/1991 Kee D6/410
3,390,753 7/1968 Bolan et al. .

[75] Inventors: **Steven A. Kovens**, Owings Mills;
Dennis Barber, Hampstead, both of
Md.

OTHER PUBLICATIONS

Excerpts from 1996 Parkway Machine Catalogue.
Excerpts from Charlier-Brabo Group N.V. Catalogue.

[73] Assignee: **Parkway Machine Corporation**,
Timonium, Md.

Primary Examiner—Kay H. Chin
Attorney, Agent, or Firm—Beveridge, DeGrandi, Weilacher
& Young, LLP

[**] Term: **14 Years**

CLAIM

[21] Appl. No.: **54,753**

The ornamental design for a stand, as shown and described.

[22] Filed: **May 21, 1996**

DESCRIPTION

[51] LOC (6) Cl. **12-02**

[52] U.S. Cl. **D34/21; D6/464**

[58] Field of Search D34/12, 17, 23;
D6/410, 411, 462, 464, 552; 211/181

FIG. 1 is a front perspective view of a stand showing our
new design;

FIG. 2 is a front elevational view thereof;

FIG. 3 is a rear elevational view thereof;

FIG. 4 is a right side elevational view thereof;

FIG. 5 is a left side elevational view thereof;

FIG. 6 is a top plan view thereof; and,

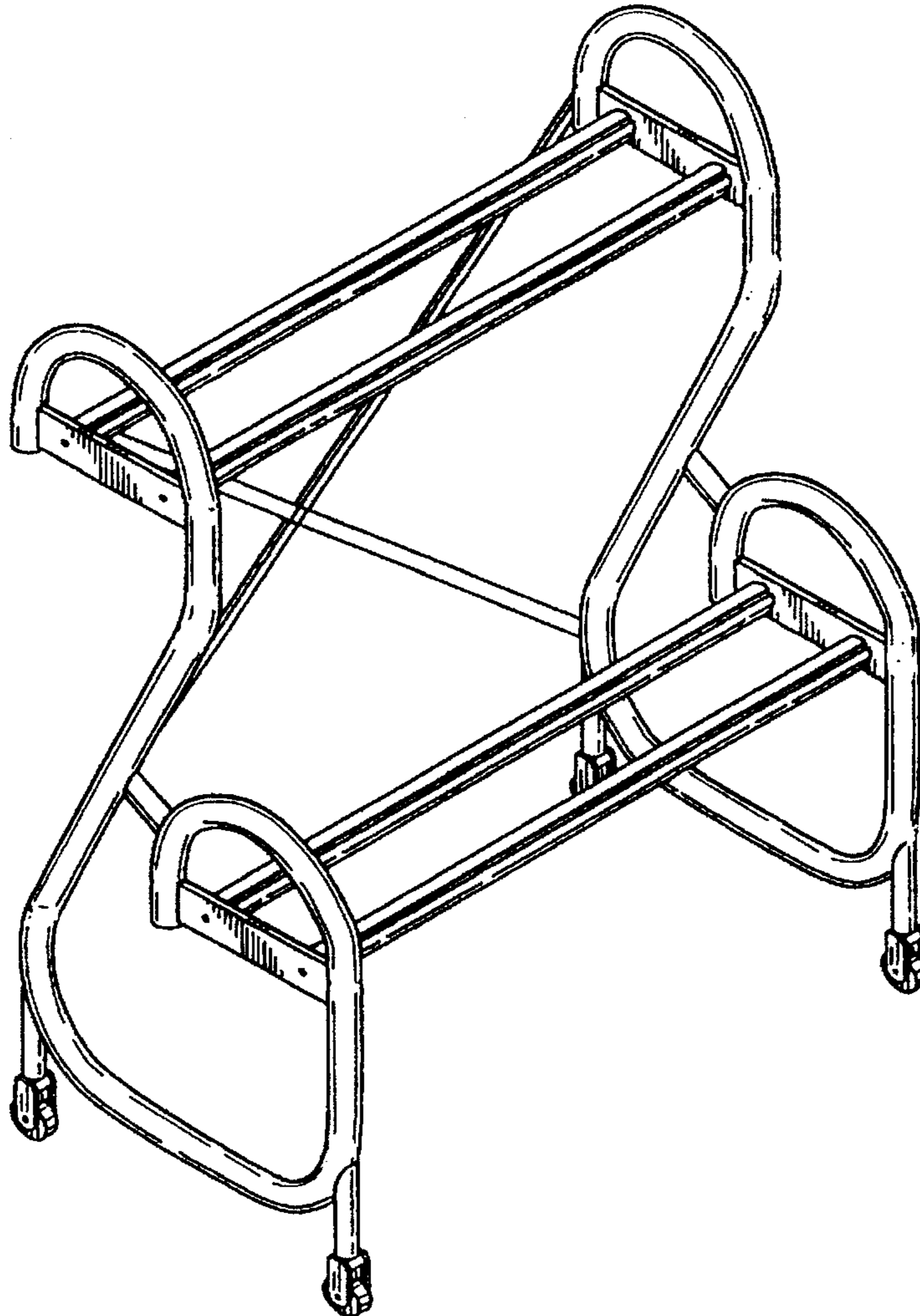
FIG. 7 is a bottom plan view thereof.

[56] References Cited

U.S. PATENT DOCUMENTS

D. 151,272 10/1948 Kipp D6/410
D. 204,847 5/1966 Hill D34/21
D. 317,095 5/1991 Albers et al. D6/464

1 Claim, 3 Drawing Sheets



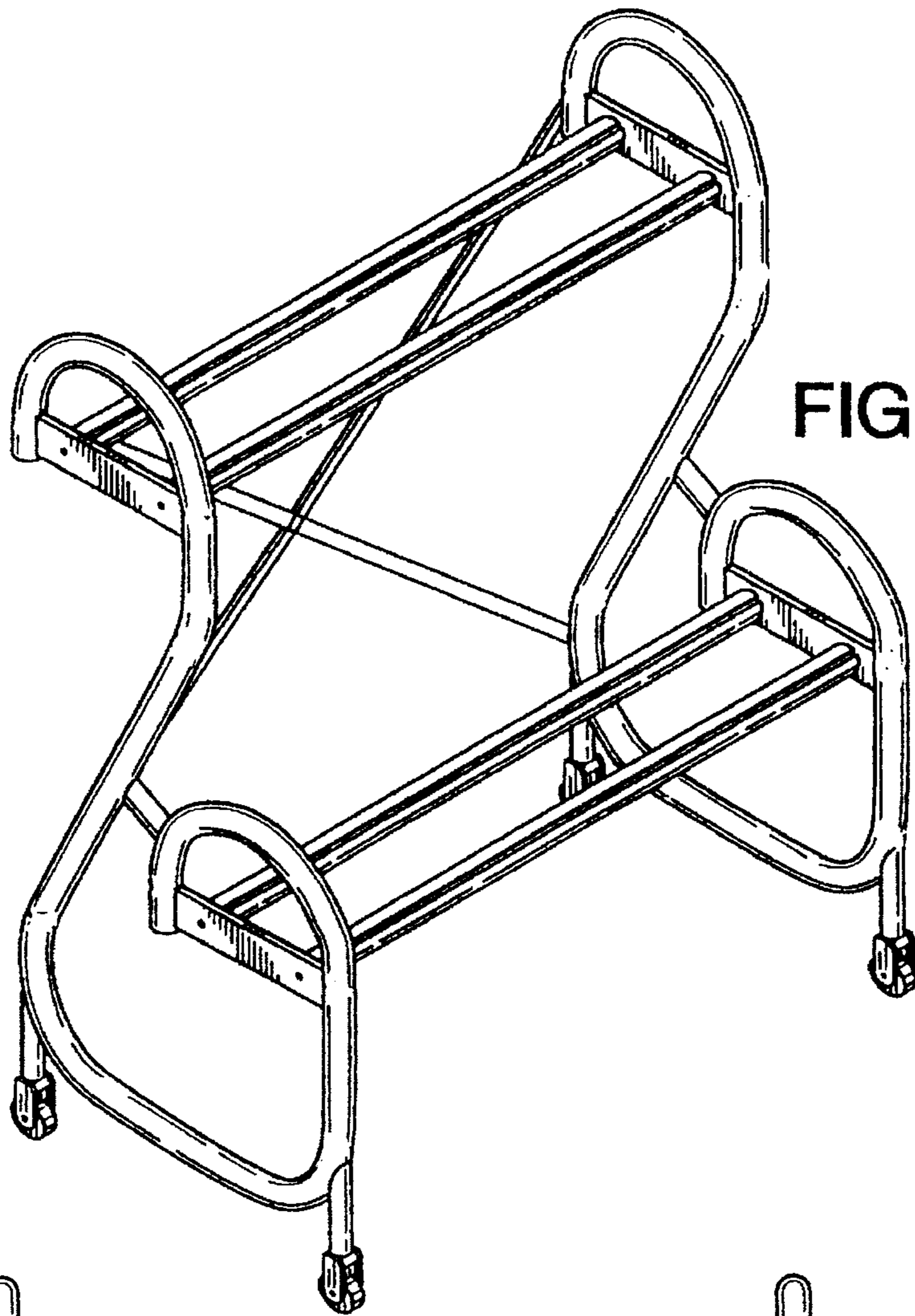


FIG. 1

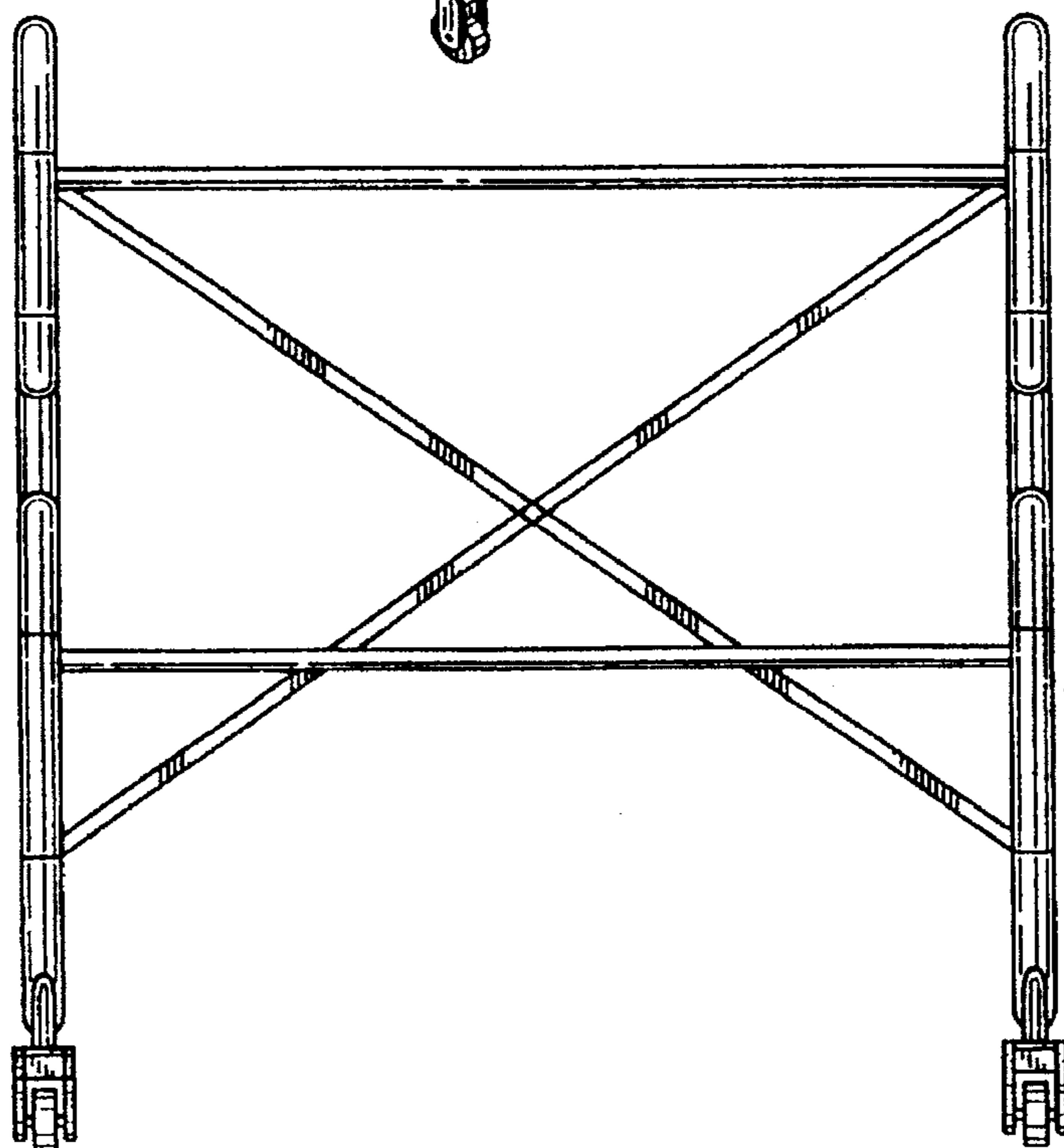


FIG. 2

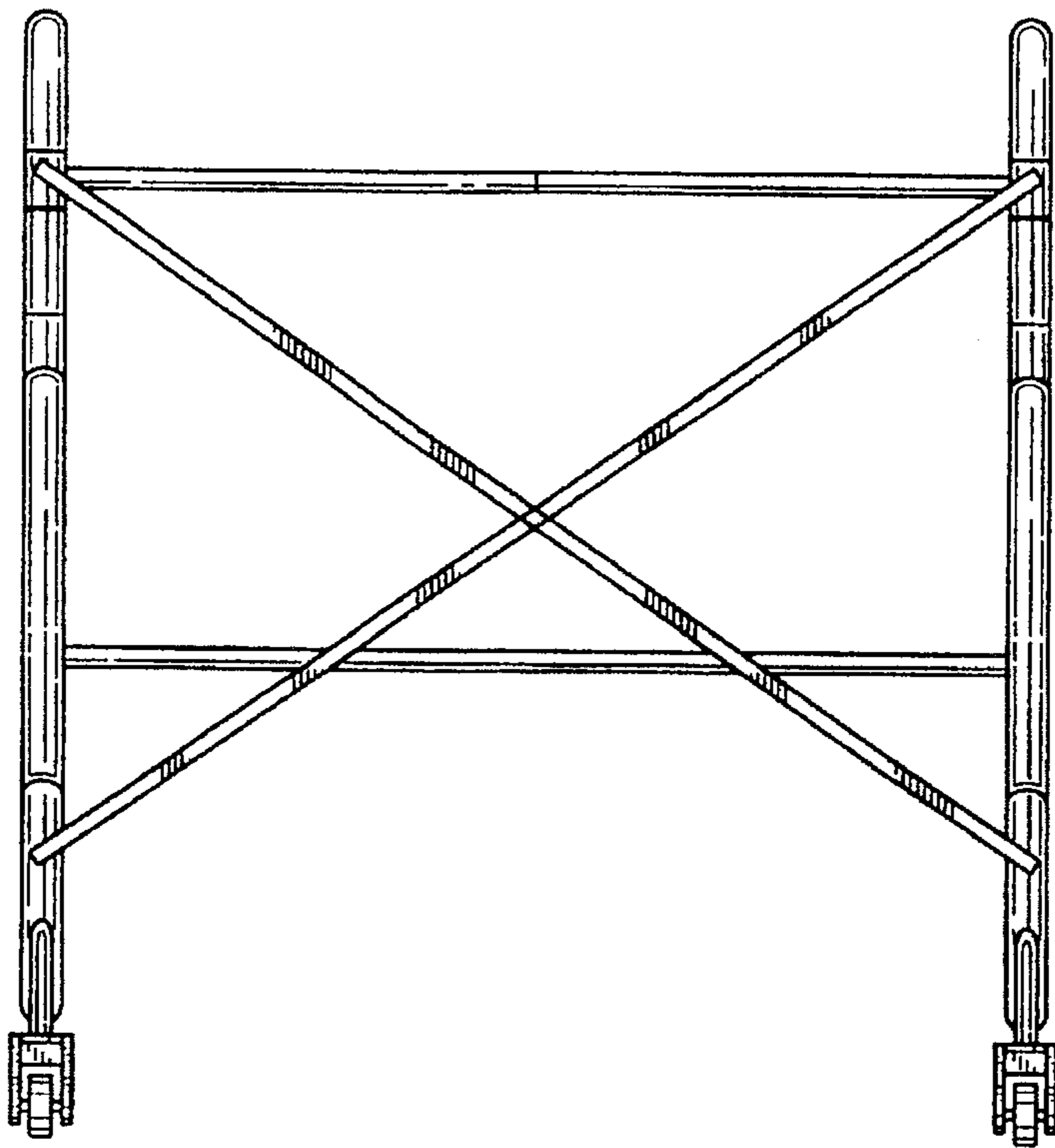


FIG. 3

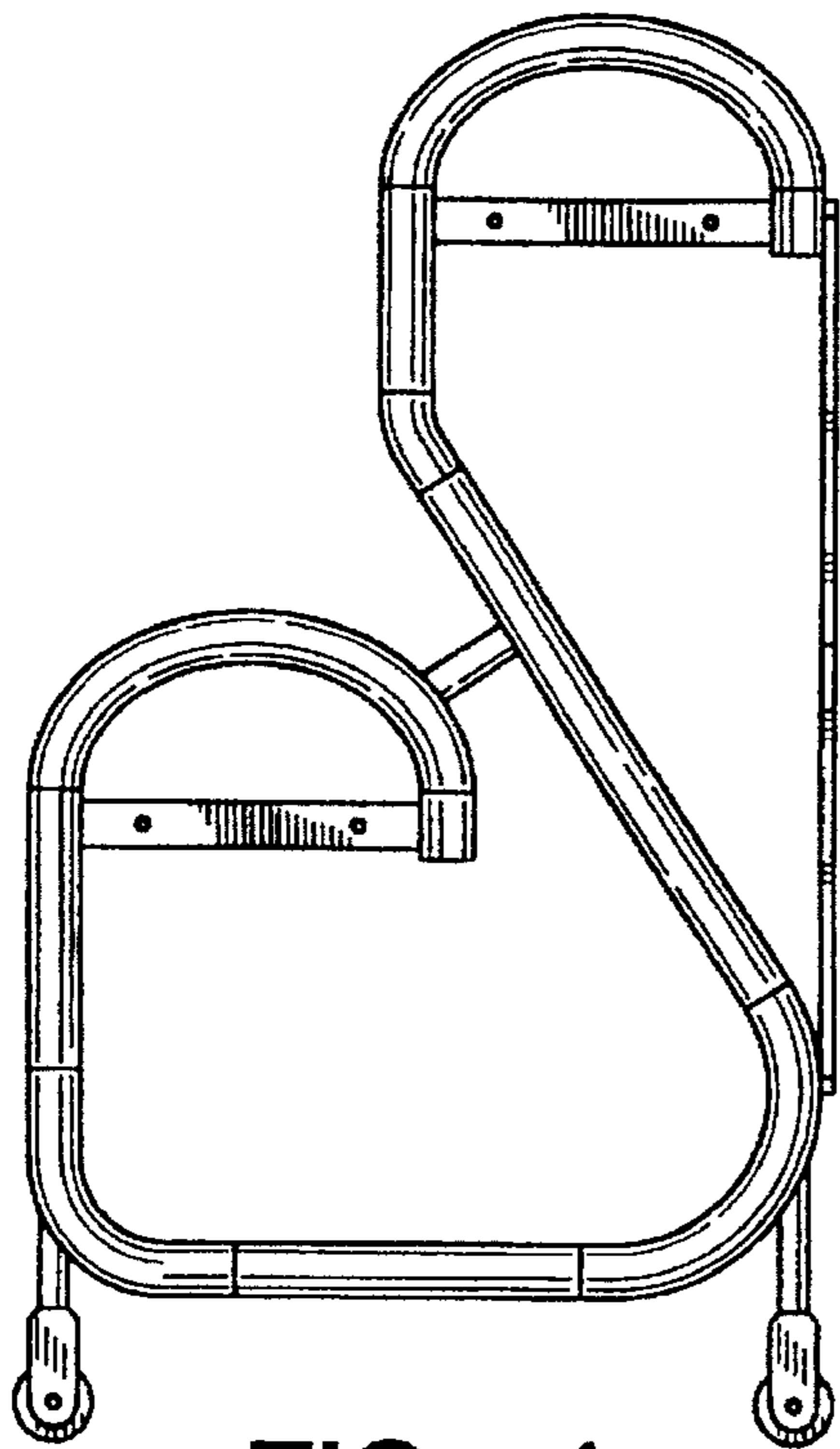


FIG. 4

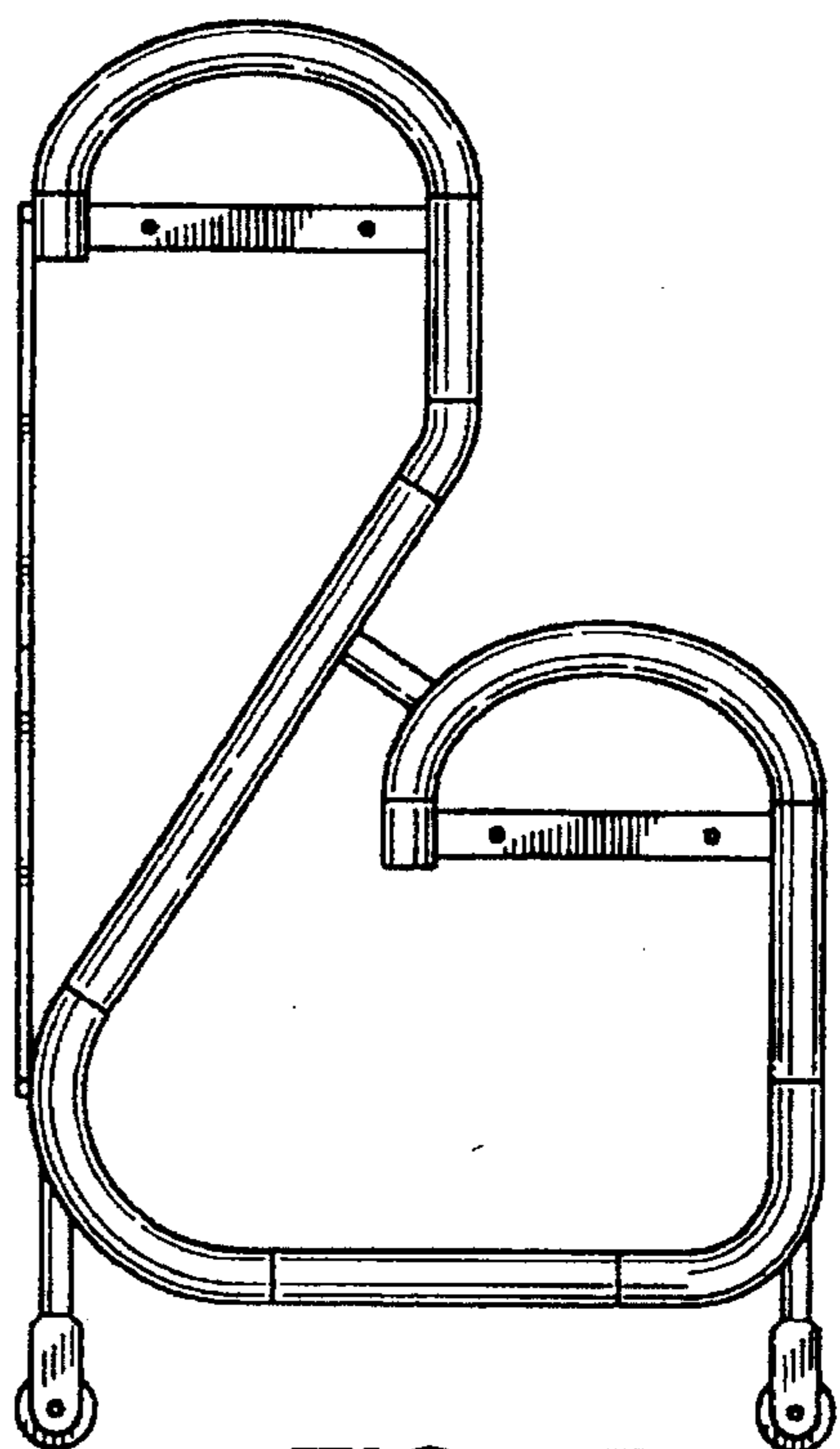


FIG. 5

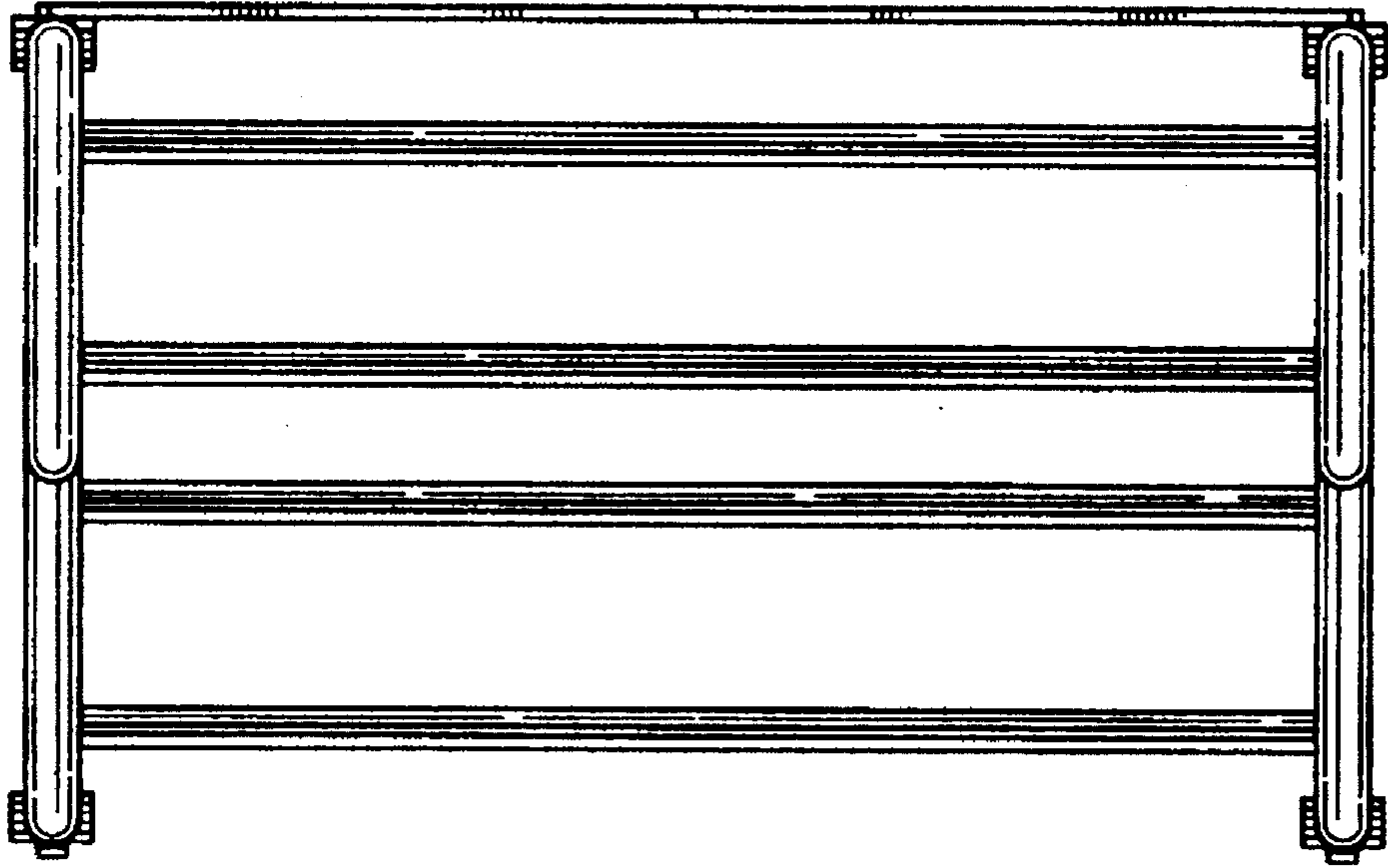


FIG. 6

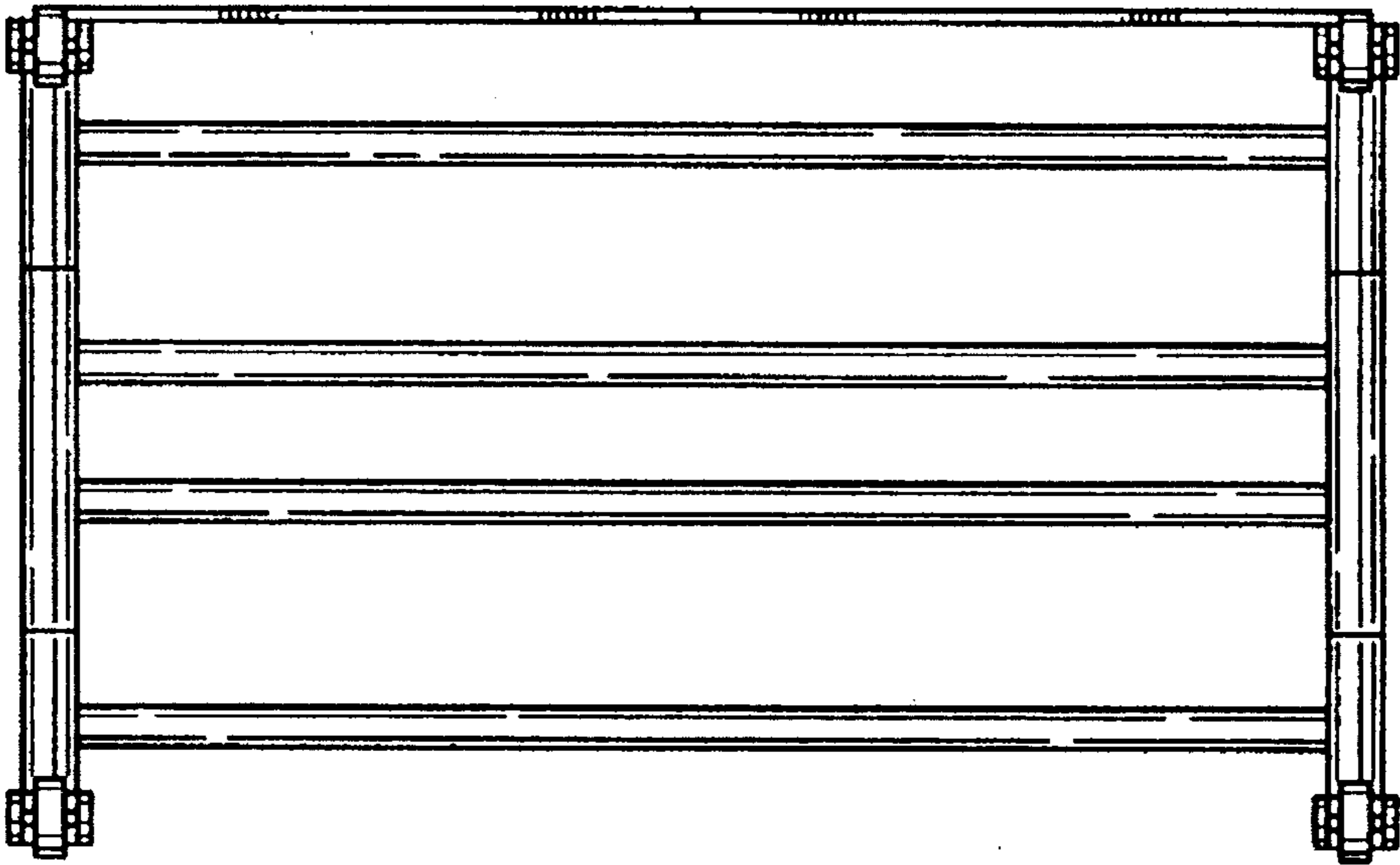


FIG. 7