



US00D381168S

# United States Patent [19]

Delmerico et al.

[11] Patent Number: **Des. 381,168**

[45] Date of Patent: **\*\*Jul. 15, 1997**

- [54] **CART**
- [75] Inventors: **Paul E. Delmerico**, Winchester, Va.;  
**Brad Forrest**, Cary, N.C.; **Brian Leonard**, Durham, N.C.; **Joel Wittkamp**, Raleigh, N.C.
- [73] Assignee: **Rubbermaid Commercial Products Inc.**, Winchester, Va.
- [\*\*] Term: **14 Years**
- [21] Appl. No.: **47,473**
- [22] Filed: **Dec. 5, 1995**
- [51] LOC (6) Cl. .... **12-02**
- [52] U.S. Cl. .... **D34/21; D34/19; D6/479**
- [58] Field of Search ..... **D34/12-27; 280/47.35, 280/641, 79.3, 79.11; 108/111, 153, 59; 312/257; D6/478, 479, 480, 476**

4,718,741	1/1988	Nichoalds	.....	312/223
4,740,010	4/1988	Moskovitz	.....	280/641
4,763,799	8/1988	Cohn et al.	.....	211/187
5,016,948	5/1991	Welch et al.	.....	312/250
5,462,299	10/1995	Maddux	.....	280/47.35

### OTHER PUBLICATIONS

P. E4, Carts; Company name and address unknown. Published at least as early as Feb., 1994.  
Catalog page, Carts; Luxor Corporation, Waukegan, Illinois 60085. Publication date 1987.  
Catalog page, Carts; Company name and address unknown. Published at least as early as Feb., 1994.  
Pp. 1172 and 1174, Carts; Grainger Industrial and Commercial Equipment and Supplies, address unknown. Published at least as early as Jan., 1994.

(List continued on next page.)

*Primary Examiner*—Kay H. Chin  
*Attorney, Agent, or Firm*—Richard B. O'Planick; Lisa B. Riedesel

### [56] References Cited

#### U.S. PATENT DOCUMENTS

D. 199,670	12/1964	Inglis	.....	D14/3
D. 275,044	8/1984	Hampshire et al.	.....	D34/21
D. 302,064	7/1989	Delmerico	.....	D34/20
D. 323,915	2/1992	Welch	.....	D34/21
D. 344,382	2/1994	Conaway et al.	.....	D34/21
D. 360,725	7/1995	Snell	.....	D34/21
D. 361,187	8/1995	Snell	.....	D34/21
D. 361,188	8/1995	Perelli	.....	D34/21
D. 361,419	8/1995	Snell	.....	D34/21
D. 361,643	8/1995	Snell	.....	D34/21
D. 363,590	10/1995	Kazmerchek et al.	.....	D34/21
3,797,842	3/1974	Swick, Jr. et al.	.....	280/36 R
4,595,107	6/1986	Welsch	.....	211/187
4,644,876	2/1987	Thomas	.....	108/111

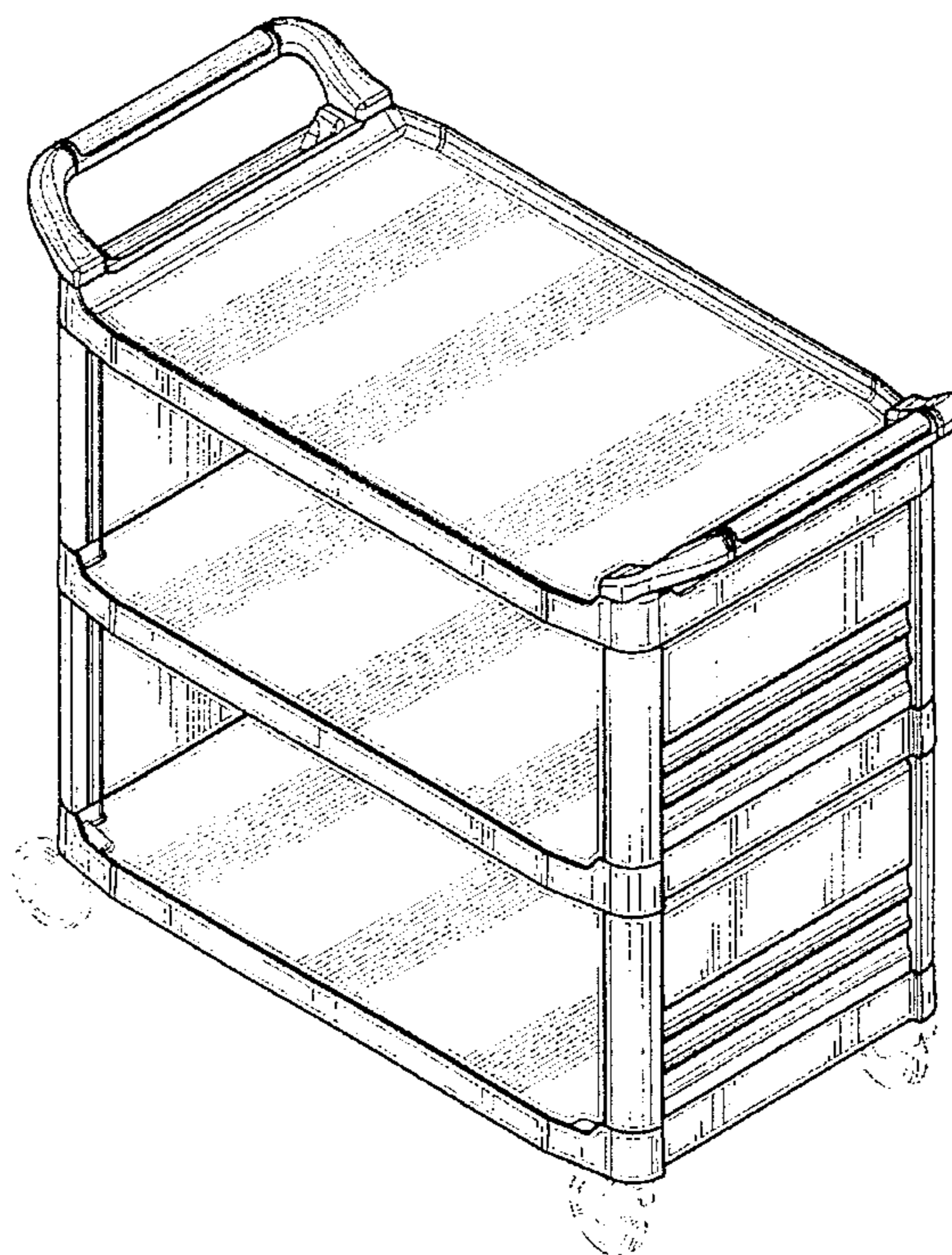
### [57] CLAIM

The ornamental design for a cart, as shown and described.

### DESCRIPTION

FIG. 1 is a top right front perspective view of a cart showing our new design;  
FIG. 2 is a top plan view thereof;  
FIG. 3 is a rear elevational view thereof;  
FIG. 4 is a front elevational view thereof; and,  
FIG. 5 is a right side elevational view thereof; the the left side elevational view being a mirror image.  
The broken lines are for illustrative purposes only and form no part of the claimed design.

**1 Claim, 5 Drawing Sheets**



**OTHER PUBLICATIONS**

P. 24, Carts; Advanced Equipment, 236 Westhampton Avenue, Capitol Heights, Maryland 20743. Published at least as early as Jan., 1994.

P. 76, Carts; Global Equipment Company, 6598 Hemlock Drive, Hempstead, New York 11550. Published at least as early as Jan., 1994.

P. 22, Carts; Continental Manufacturing Company, A Division of Contico International Inc., 123 Byassee Drive, Hazelwood, Missouri 63042. Publication date May, 1994.

Pp. 73-75, Carts; InterMetro Industries Corporation, Wilkes-Barre, Pennsylvania 18705. Publication date 1993.

Pp. 5 and 6, Carts; Vollrath Company, P. O. Box 611, Sheboygan, Wisconsin 53082-0611. Published at least as early as Jan., 1994.

Pp. 11, 13 and 15, Carts; Sammons Equipment Manufacturing Corporation, 12226 Coast Drive, Whittier, California 90601. Publication date Jan., 1990.

Pp. 28, 31, 35 and 62, Carts; Lakeside Manufacturing Inc., 1977 South Allis Street, Milwaukee, Wisconsin 53207-0912. Published at least as early as Jan., 1994.

Sell sheet, Carts; Lakeside Manufacturing Inc., 1977 South Allis Street, Milwaukee, Wisconsin 53207-0912. Published at least as early as Jun., 1995.

P. 8, Carts; Lakeside Manufacturing Inc., 1977 South Allis Street, Milwaukee, Wisconsin 53207-0912. Published at least as early as Jun., 1995.

Pp. 12 and 40, Carts; Lakeside Manufacturing Inc., 1977 South Allis Street, Milwaukee, Wisconsin 53207-0912. Published at least as early as Jun., 1995.

P. 112, Carts; C & H, address unknown. Publication date Jan./Apr. 1992.

P. 105, Carts; Continental/SilLite International, P. O. Box 53006, Oklahoma City, Oklahoma 73152-3006. Published at least as early as Jun., 1995.

P. 11, Carts; Rubbermaid Commercial Products Inc., 3124 Valley Avenue, Winchester, Virginia 22601. Publication date 1994.

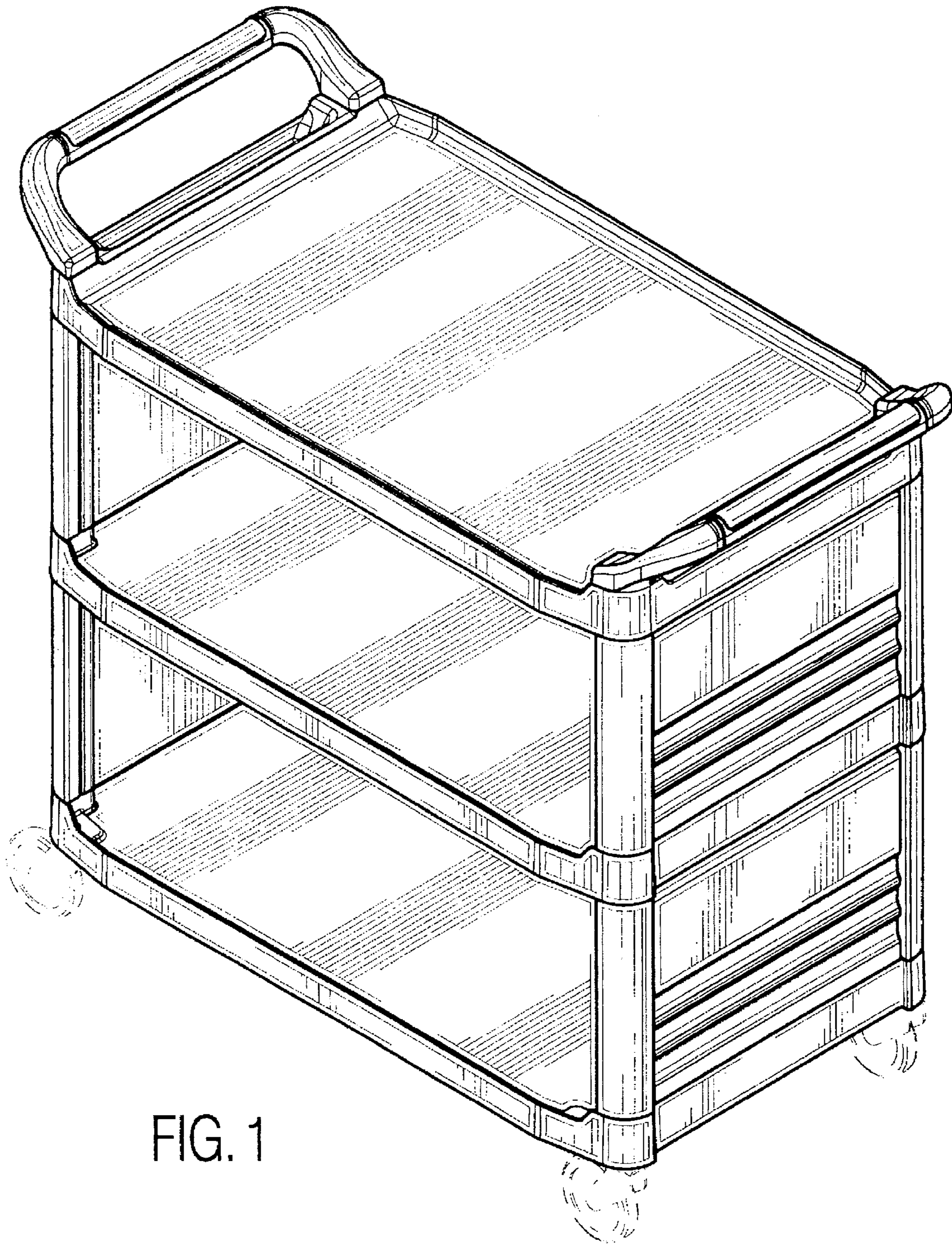


FIG. 1

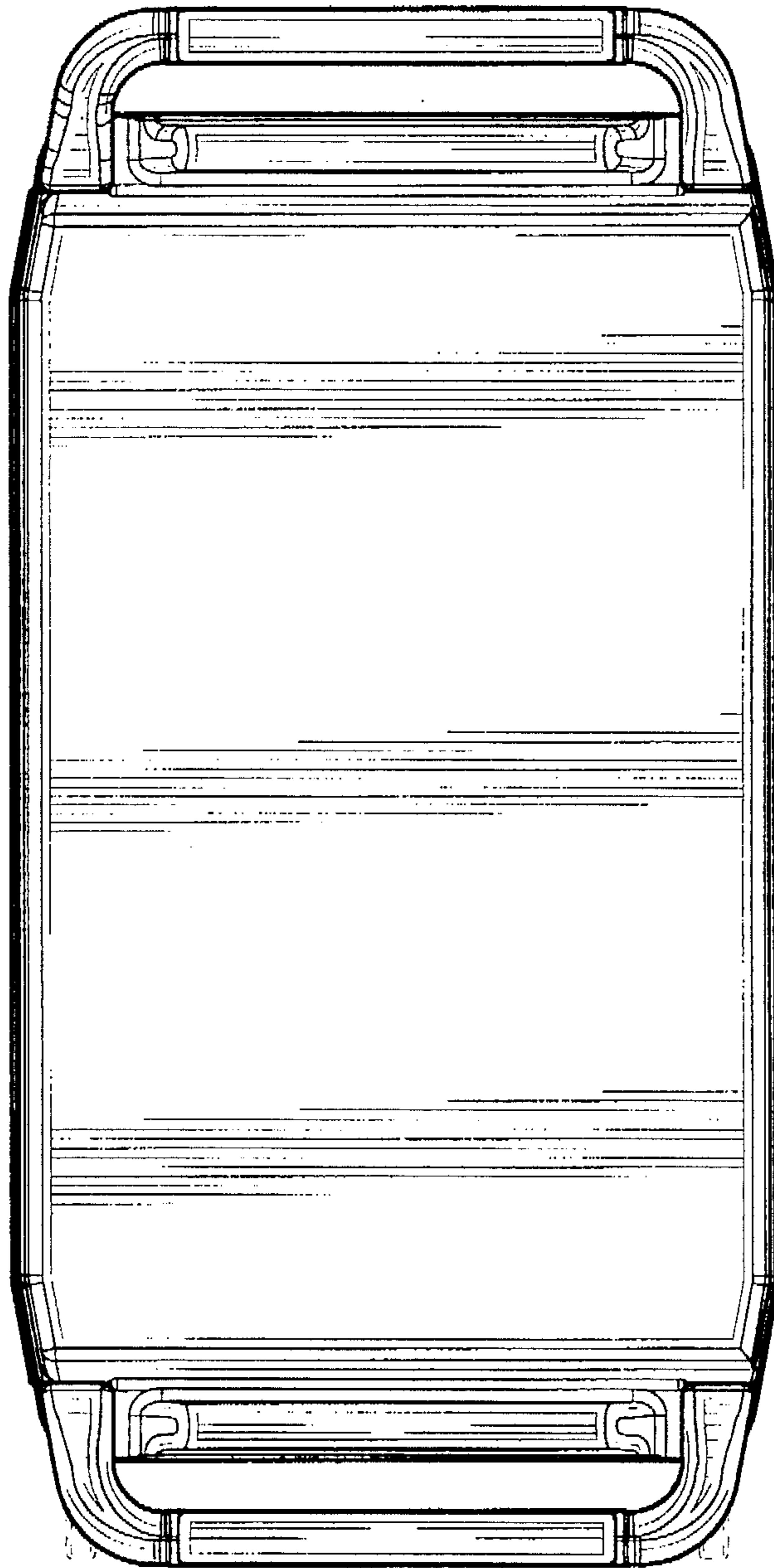


FIG. 2

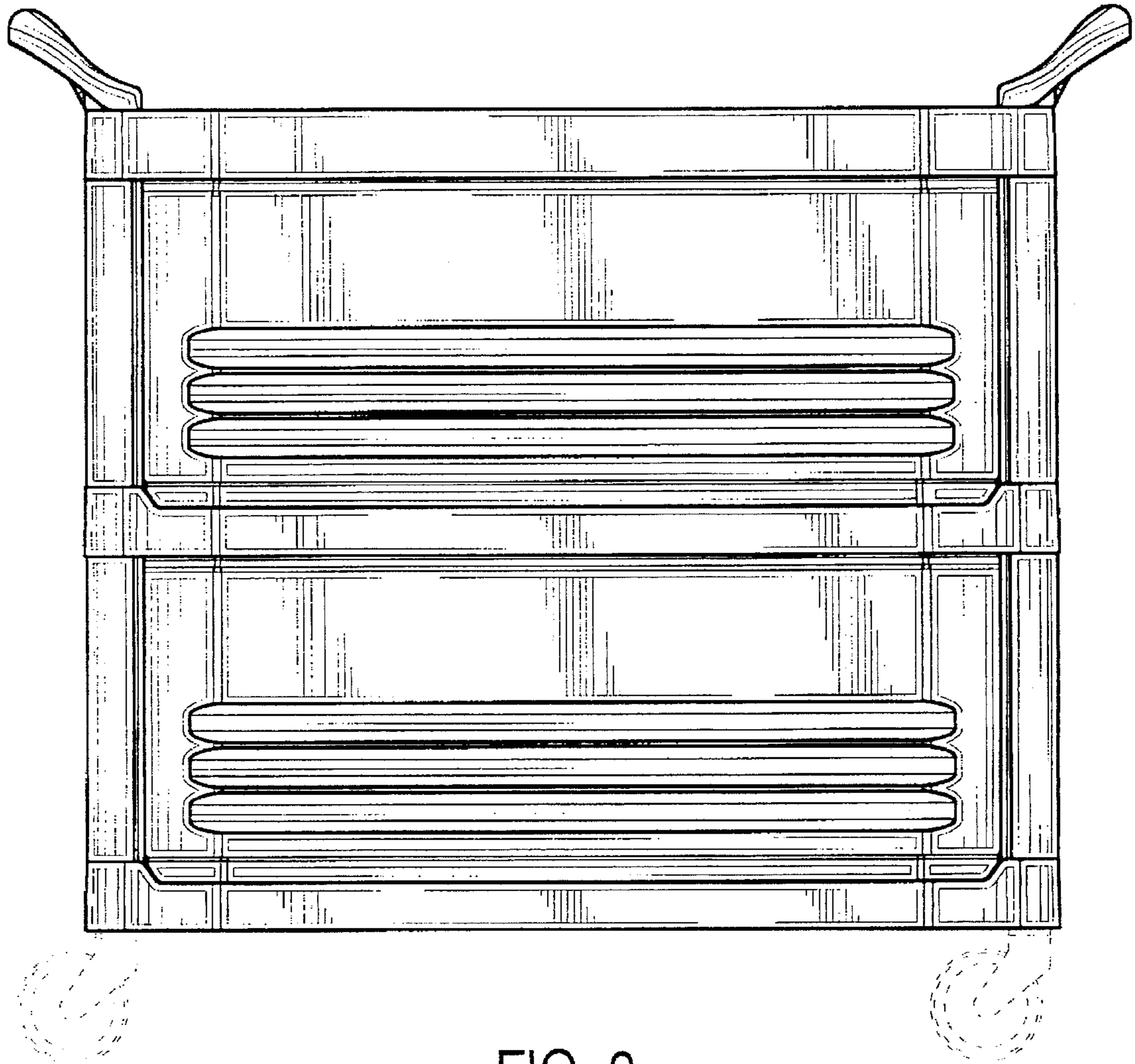


FIG. 3

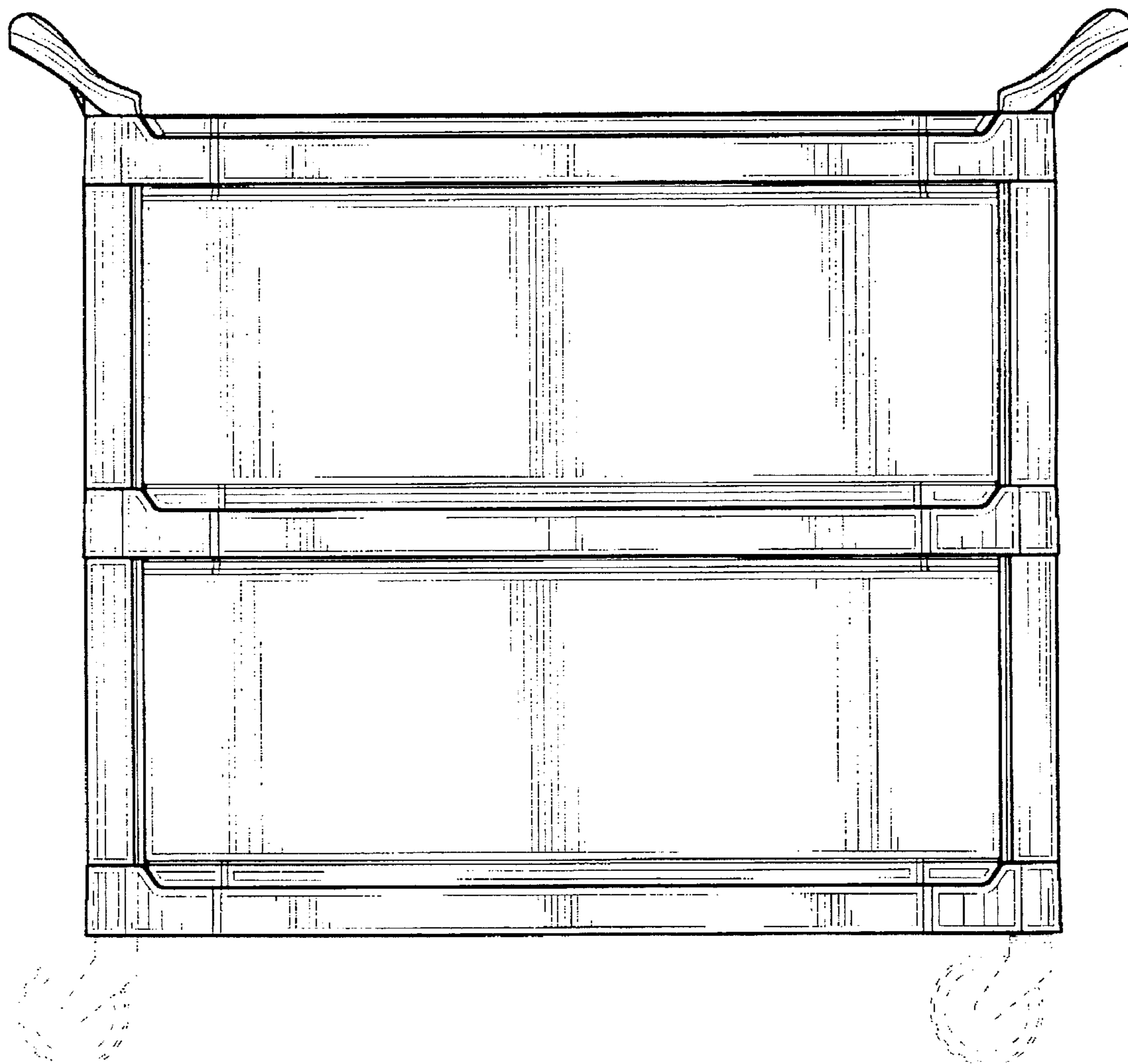


FIG. 4

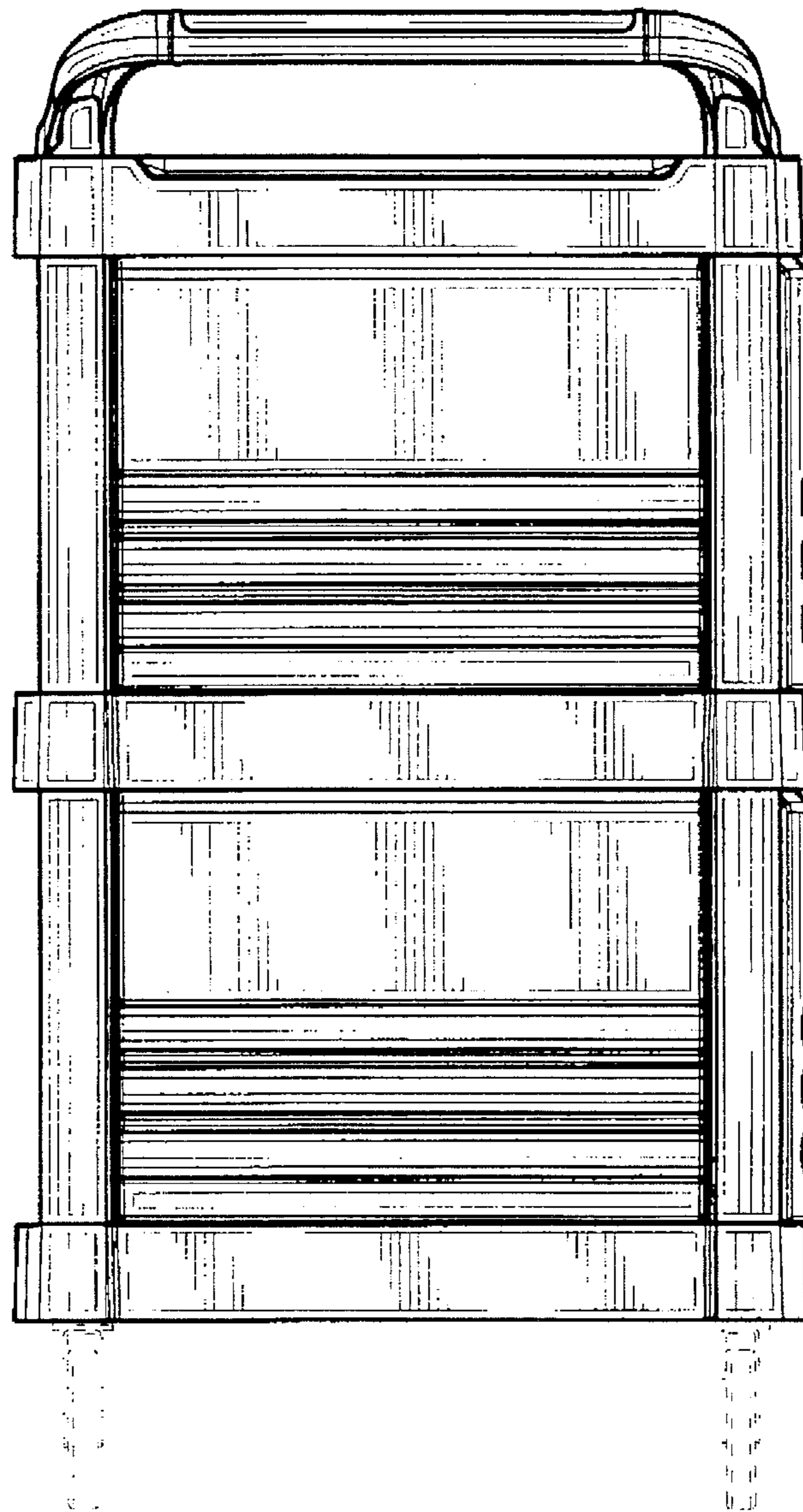


FIG. 5