



US00D381167S

United States Patent [19]
Wang

[11] **Patent Number: Des. 381,167**
[45] **Date of Patent: **Jul. 15, 1997**

[54] **SALESMEN DESK**
[75] **Inventor: Robert Wang, Memphis, Tenn.**
[73] **Assignee: Wang's International, Inc., Memphis, Tenn.**
[**] **Term: 14 Years**
[21] **Appl. No.: 41,189**
[22] **Filed: Jul. 7, 1995**
[51] **LOC (6) Cl. 12-02**
[52] **U.S. Cl. D34/21; D34/17**
[58] **Field of Search D34/12, 17, 18, D34/19, 20, 21; 280/641, 642, 654, 3, DIG. 4; 211/149**

2,220,150 11/1940 Goldman 280/641
2,398,863 4/1946 Sides 280/641
2,429,034 10/1947 Smith et al. 280/641
2,451,985 10/1948 Sides 280/641
3,797,847 3/1974 Lindsey et al. 280/654

Primary Examiner—Kay H. Chin
Attorney, Agent, or Firm—Schwegman, Lundberg, Woessner & Kluth, P.A.

[57] **CLAIM**

The ornamental design for a salesmen desk, as shown and described.

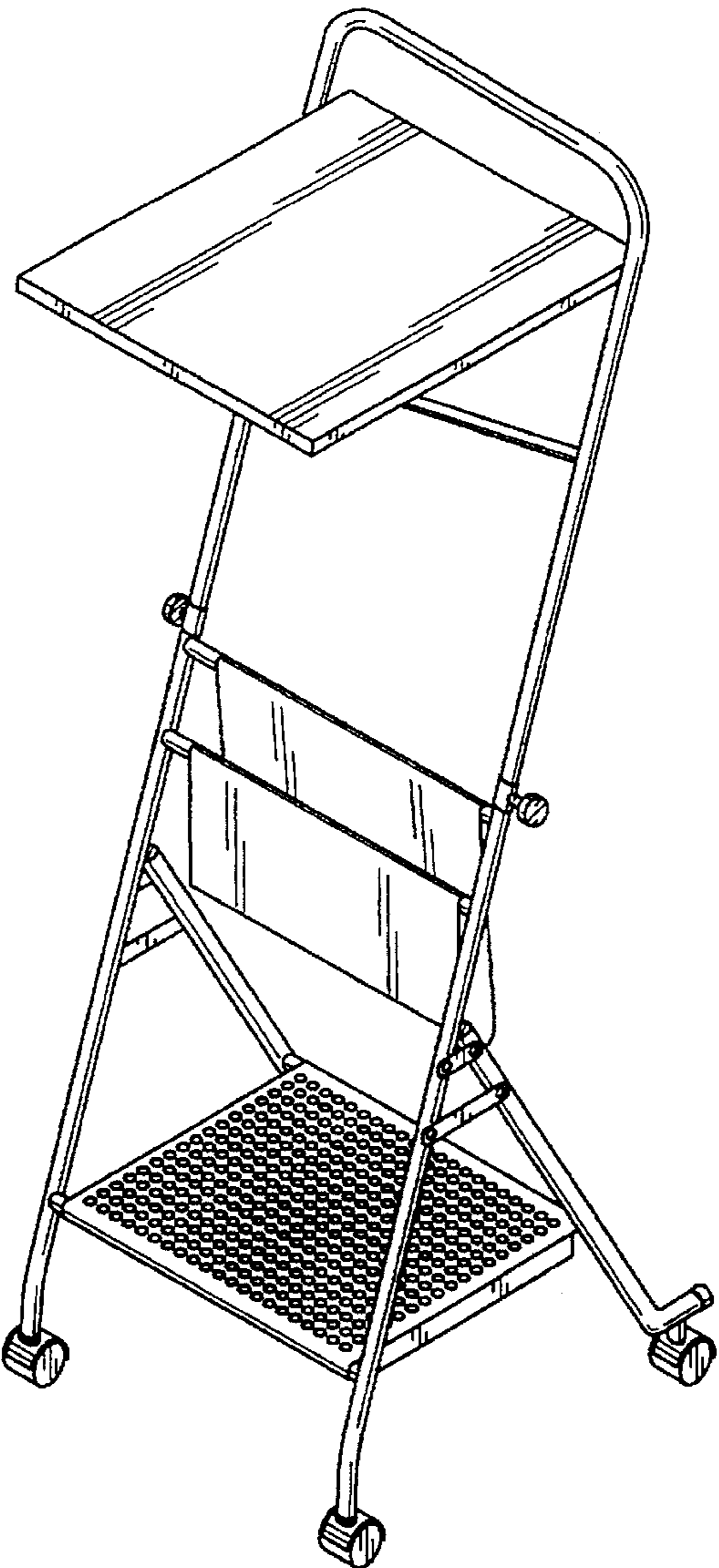
DESCRIPTION

FIG. 1 is a front perspective view of a salesmen desk showing my new design;
FIG. 2 is a front perspective view thereof in exploded condition; and,
FIG. 3 is a front perspective closed positional view thereof.

[56] **References Cited**
U.S. PATENT DOCUMENTS

D. 142,306 8/1945 Smith et al. D34/21

1 Claim, 3 Drawing Sheets



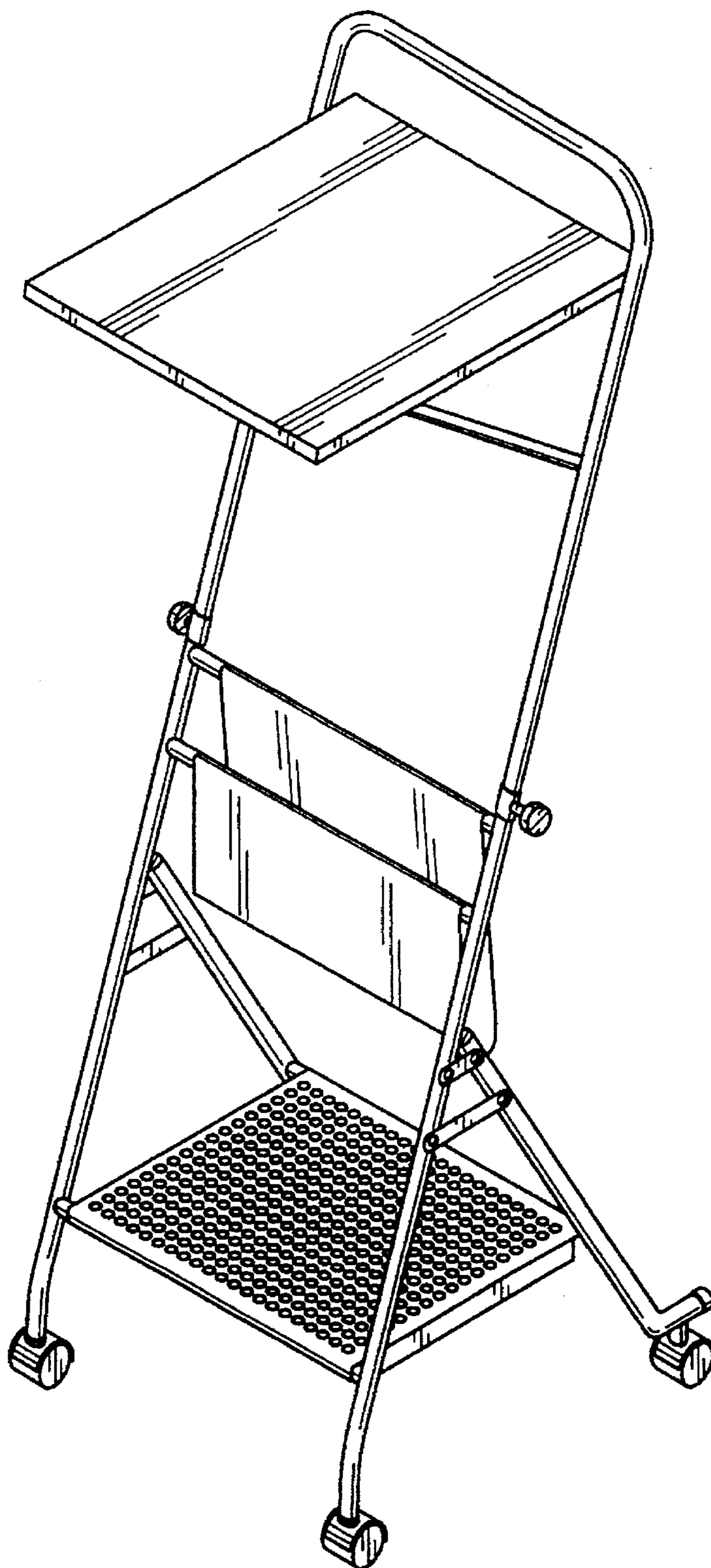


FIG. 1

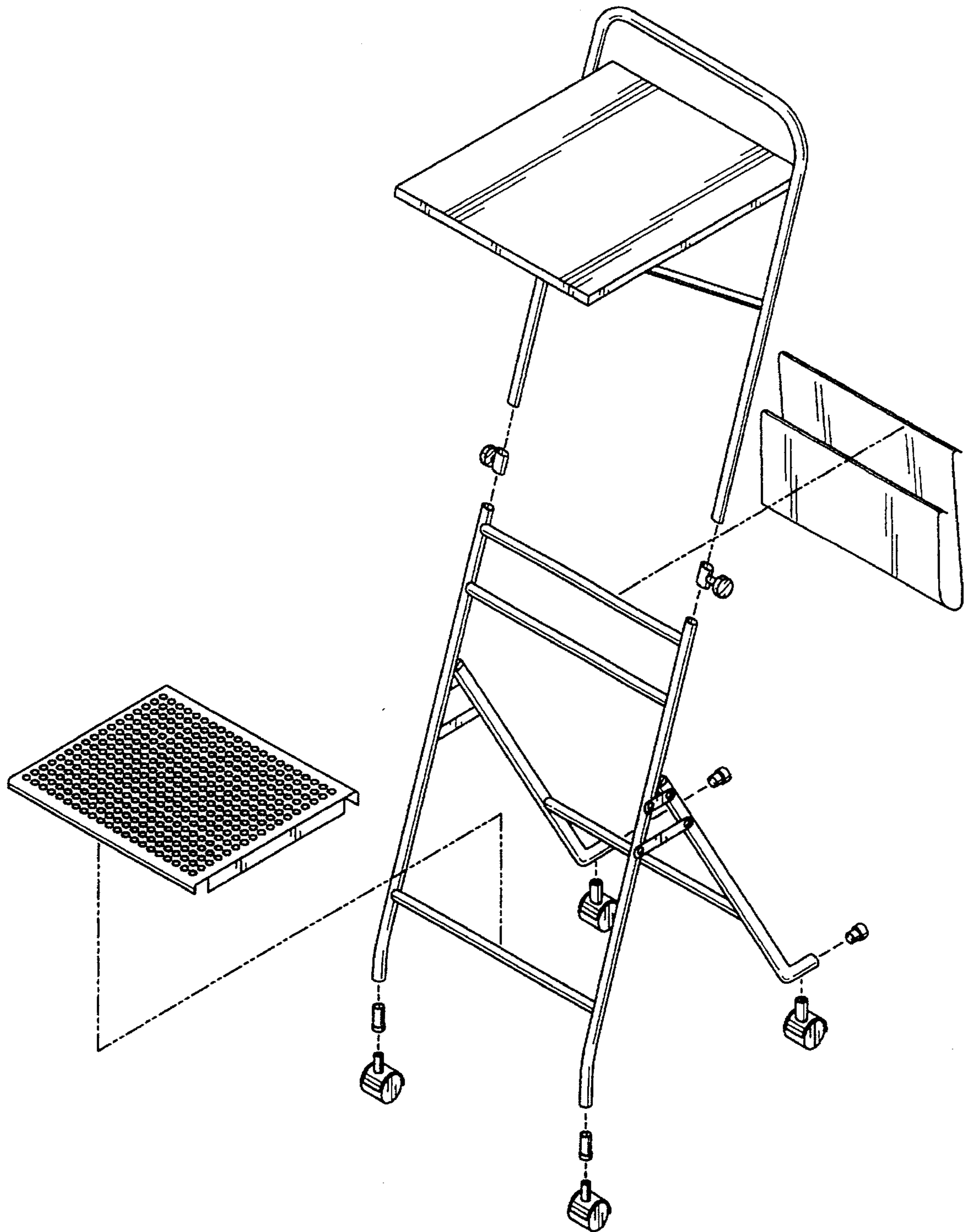


FIG. 2

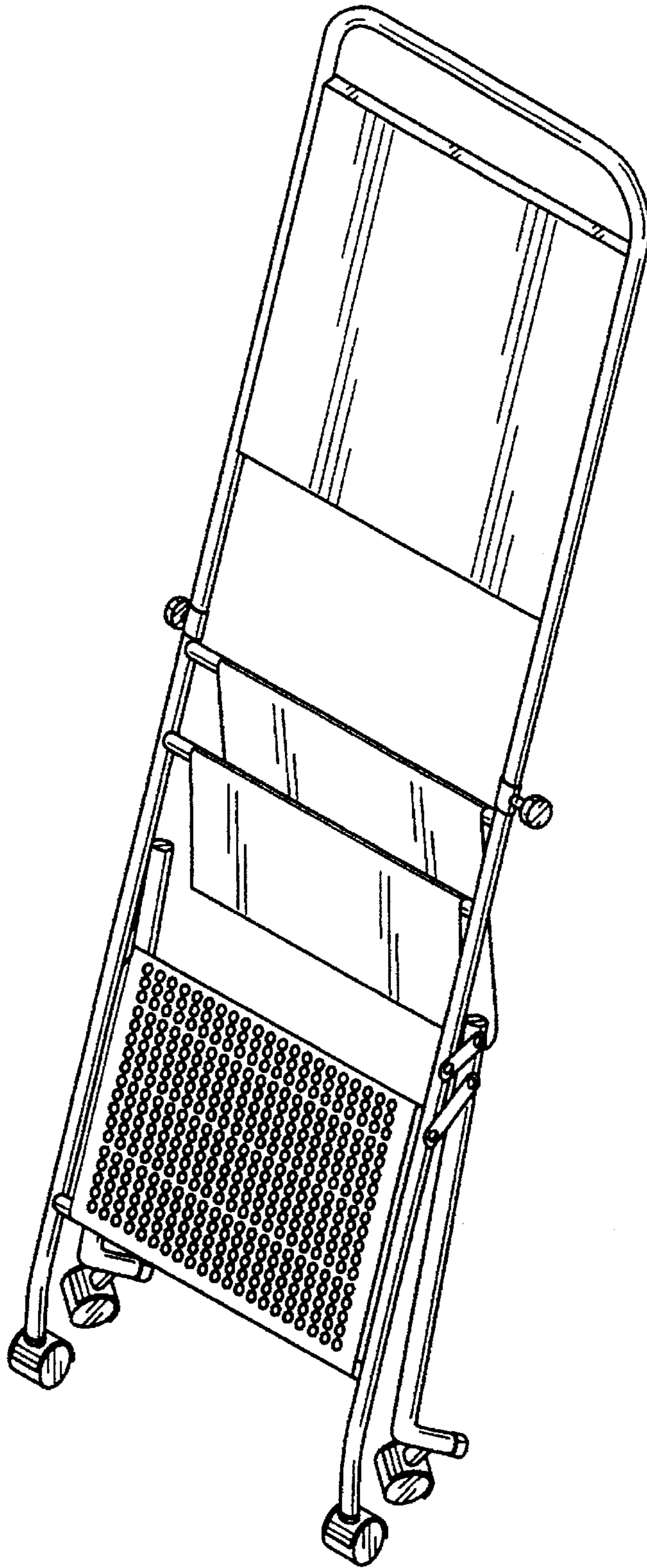


FIG. 3