



US00D381165S

United States Patent [19]
Mates et al.

[11] **Patent Number: Des. 381,165**
[45] **Date of Patent: **Jul. 15, 1997**

[54] **MOBILE MODULAR RETAIL CART**

DESCRIPTION

[75] **Inventors: John A. Mates; John F. Van Schaik,**
both of Kirkland; **Paul J. Biondolillo,**
Seattle, all of Wash.

[73] **Assignee: JMI Sales Corp.,** Woodinville, Wash.

[**] **Term: 14 Years**

[21] **Appl. No.: 44,816**

[22] **Filed: Sep. 29, 1995**

[51] **LOC (6) Cl. 12-02**

[52] **U.S. Cl. D34/20; D34/19**

[58] **Field of Search D34/12-27; 296/22**

[56] **References Cited**

U.S. PATENT DOCUMENTS

- D. 276,754 12/1984 Smith D34/20
- D. 365,906 1/1996 Lee D34/20

Primary Examiner—Kay H. Chin
Attorney, Agent, or Firm—Christensen O'Connor Johnson
& Kindness PLLC

[57] **CLAIM**

The ornamental design for a mobile modular retail cart, as shown and described.

FIG. 1 is an isometric view of the cart in a partially open configuration;

FIG. 2 is an isometric view of the cart in a closed configuration for storage and transport;

FIG. 3 is an isometric view of the cart in a completely open configuration;

FIG. 4 is a front elevational view of the cart in a configuration shown in FIG. 3;

FIG. 5 is a rear elevational view of the cart in the completely open position;

FIG. 6 is a side elevational view of the cart in the completely open position;

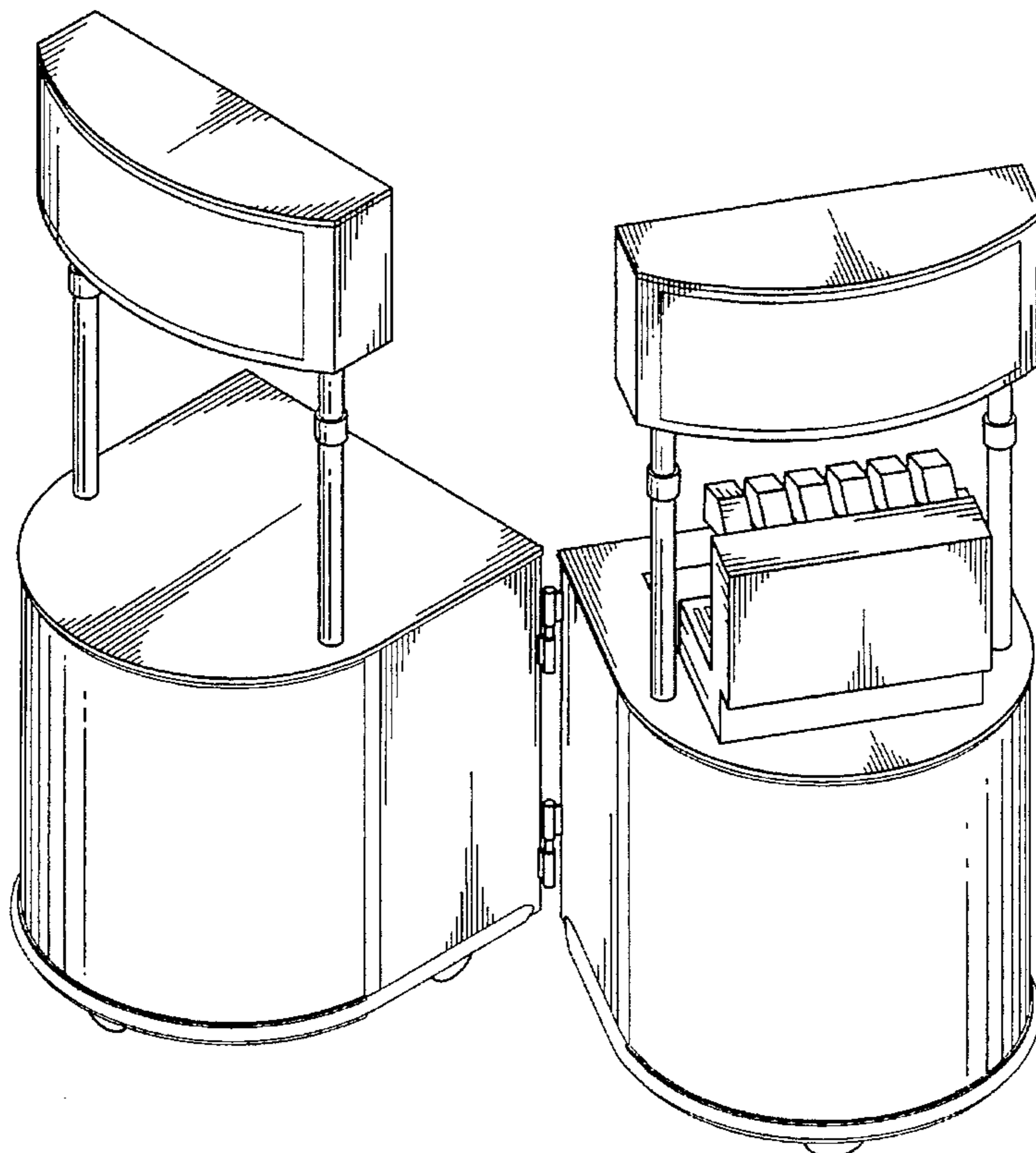
FIG. 7 is a top view of the cart in the completely open configuration;

FIG. 8 is a bottom view of the cart in an open configuration;

FIG. 9 is an isometric view of multiple carts positioned side-by-side in open configurations; and,

FIG. 10 is an isometric view of the cart in a partially open configuration without the soft drink dispenser and upward extension.

1 Claim, 9 Drawing Sheets



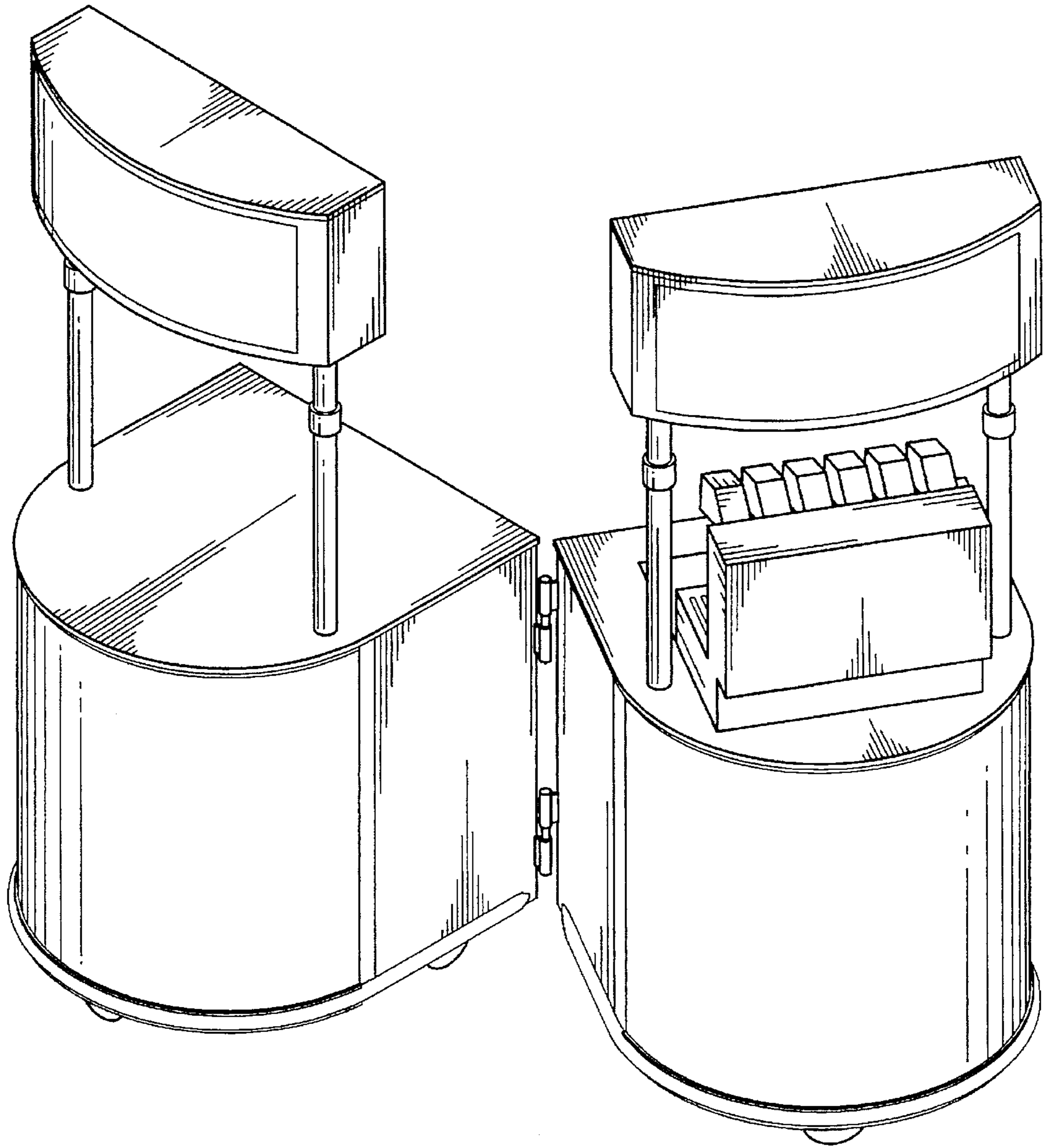


Fig. 1.

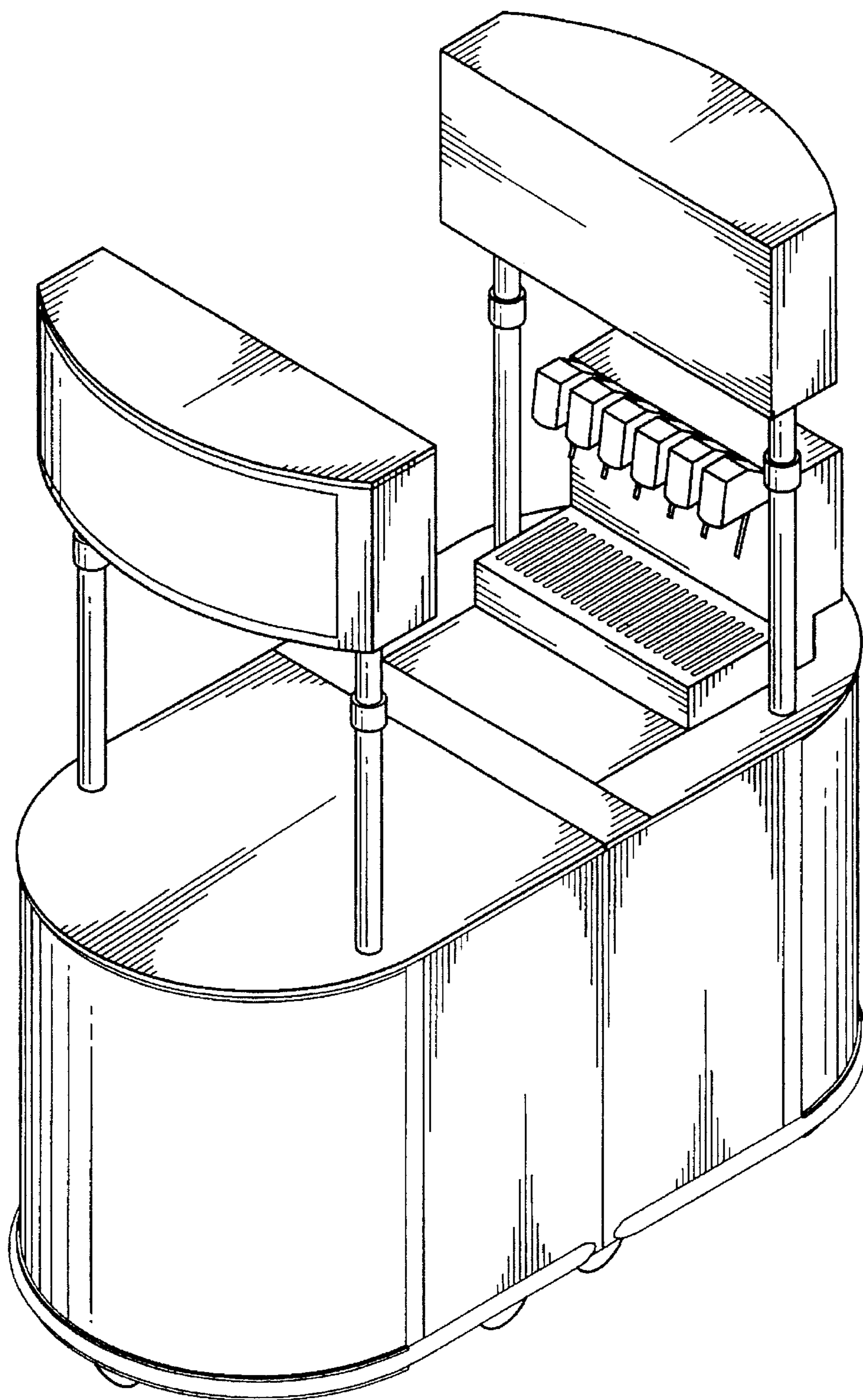


Fig. 2.

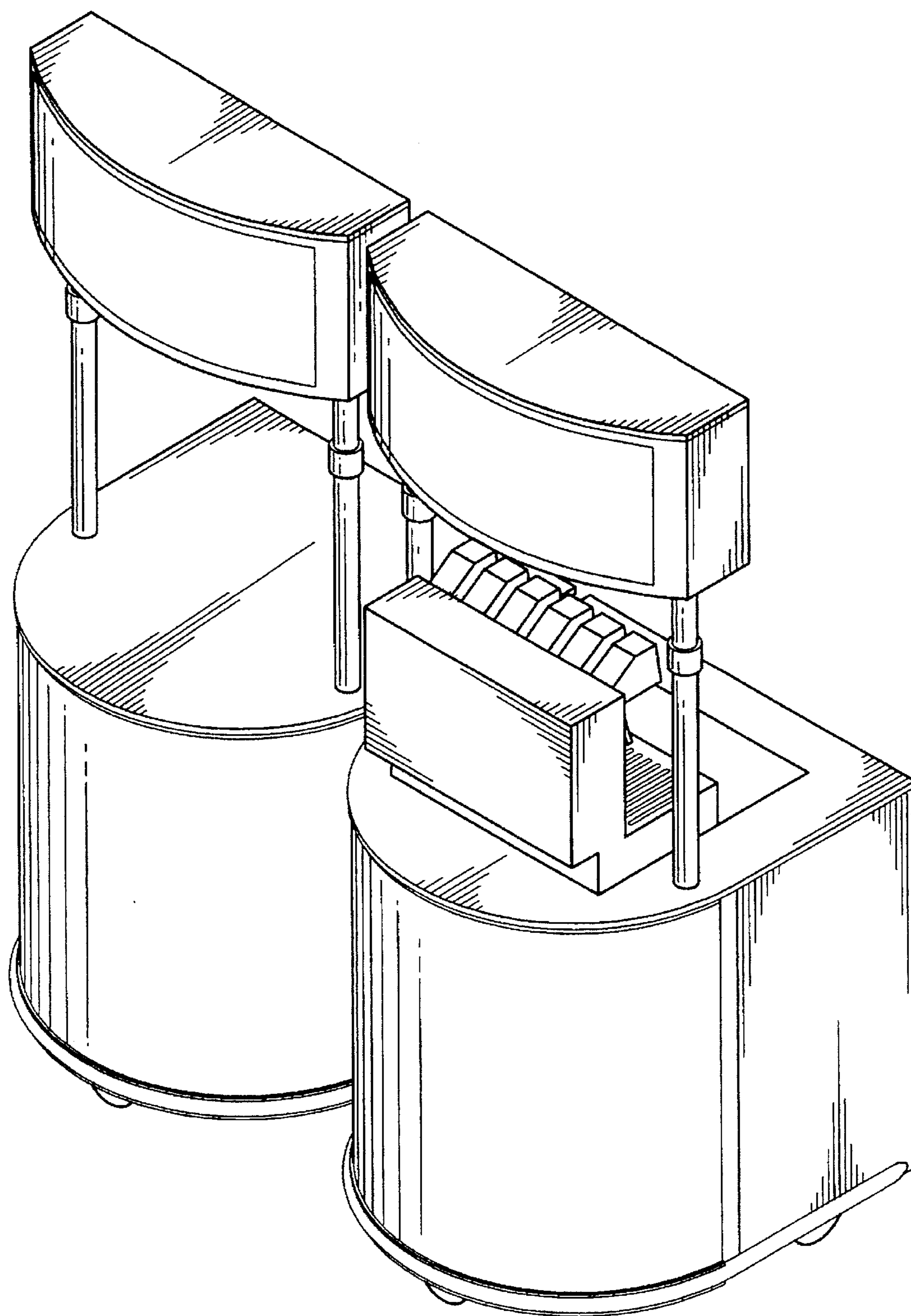


Fig. 3.

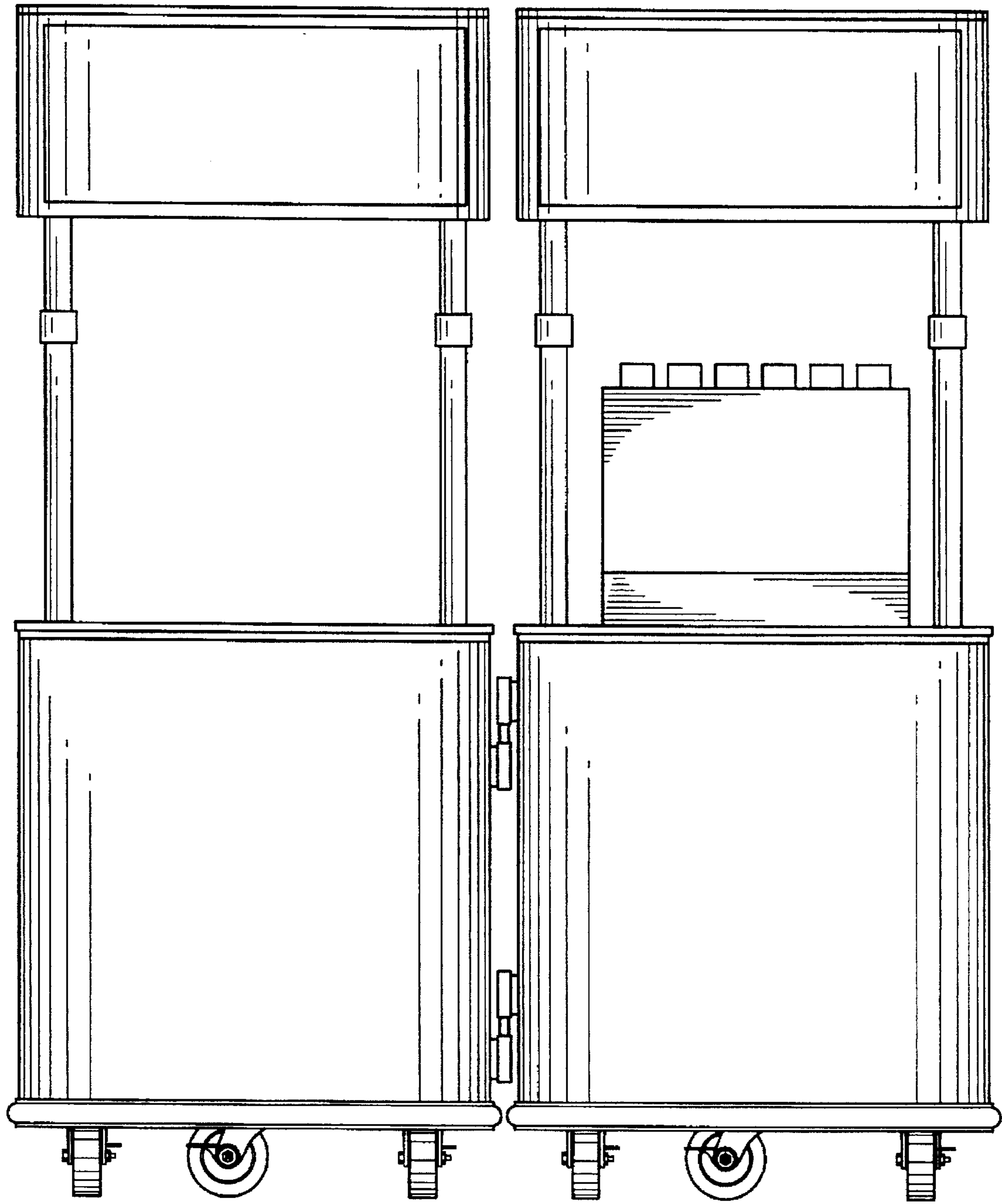


Fig. 4.

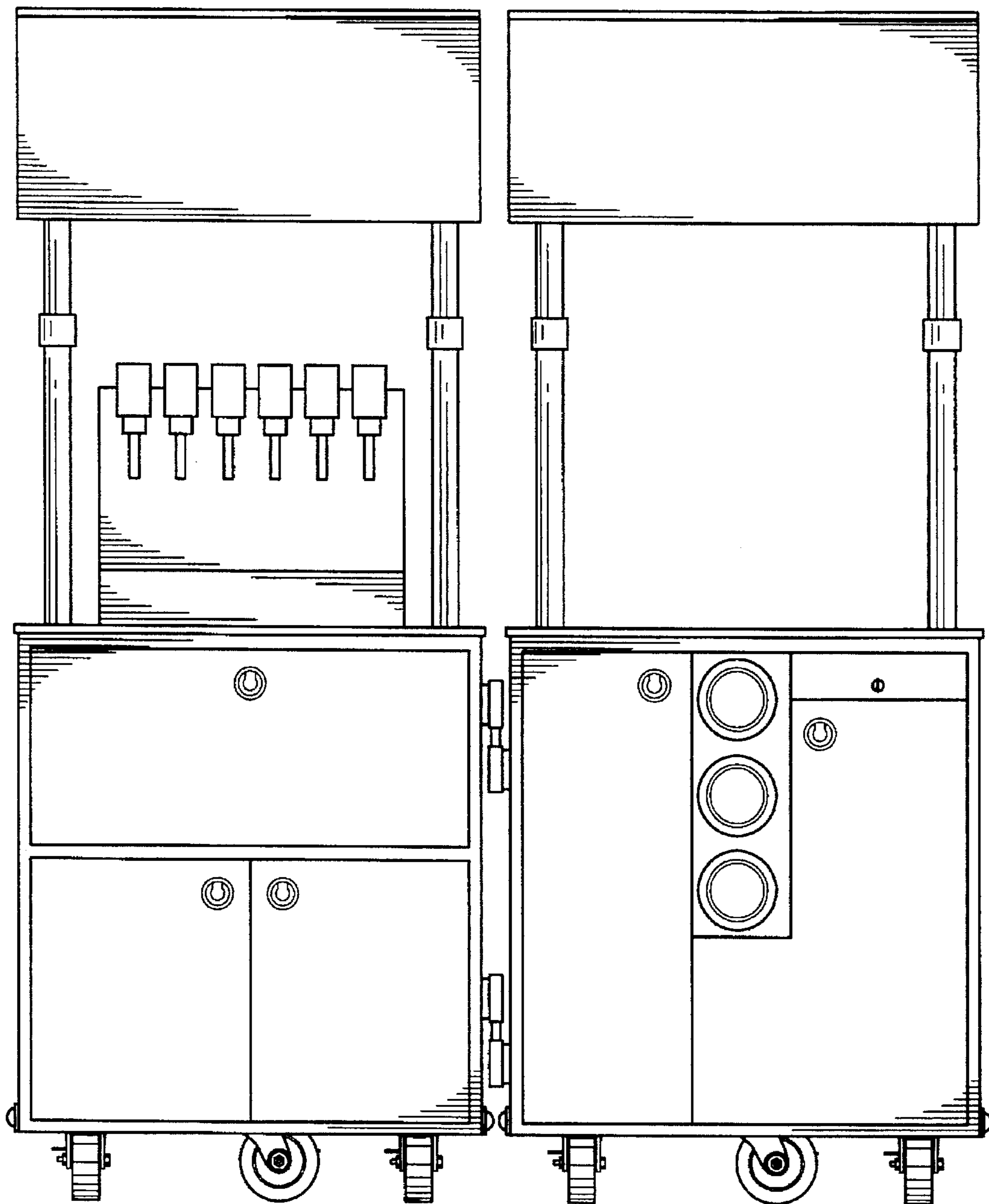


Fig. 5.

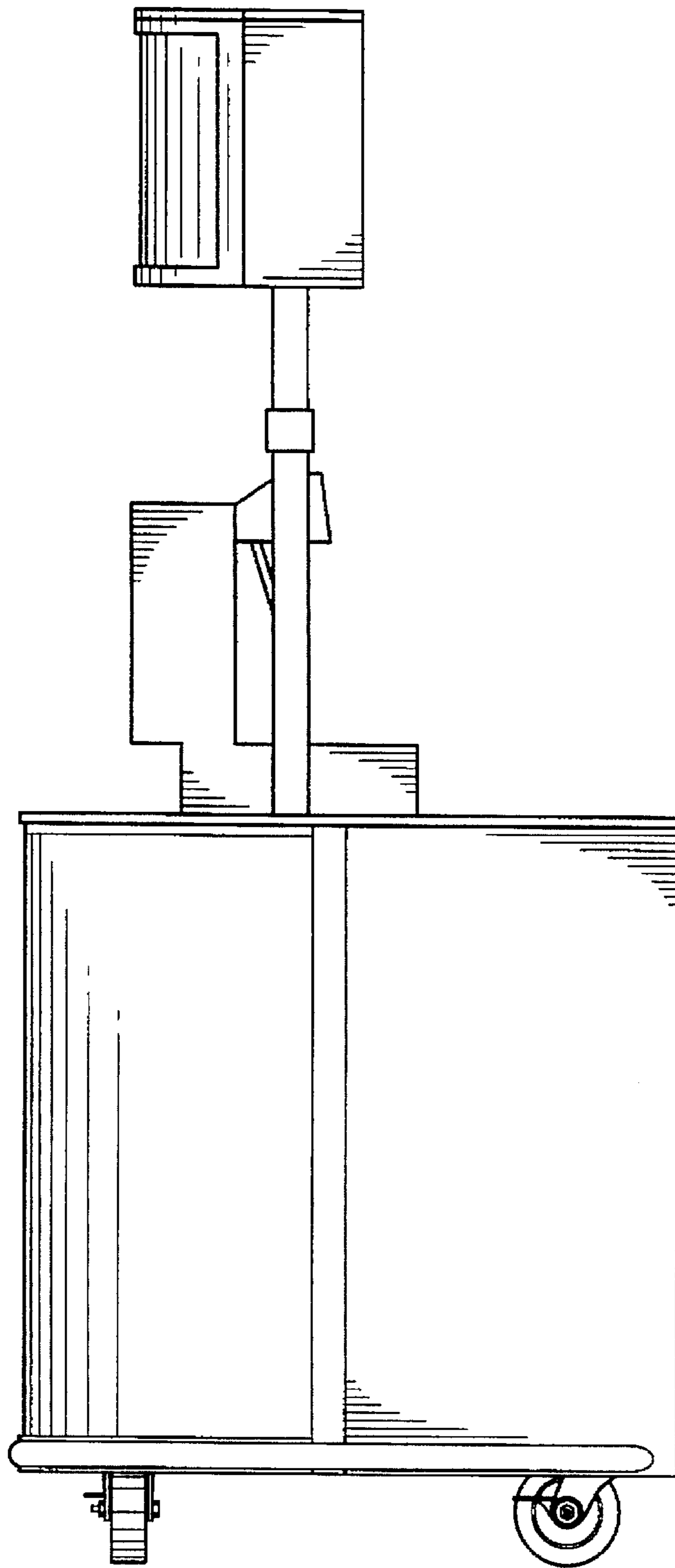


Fig. 6.

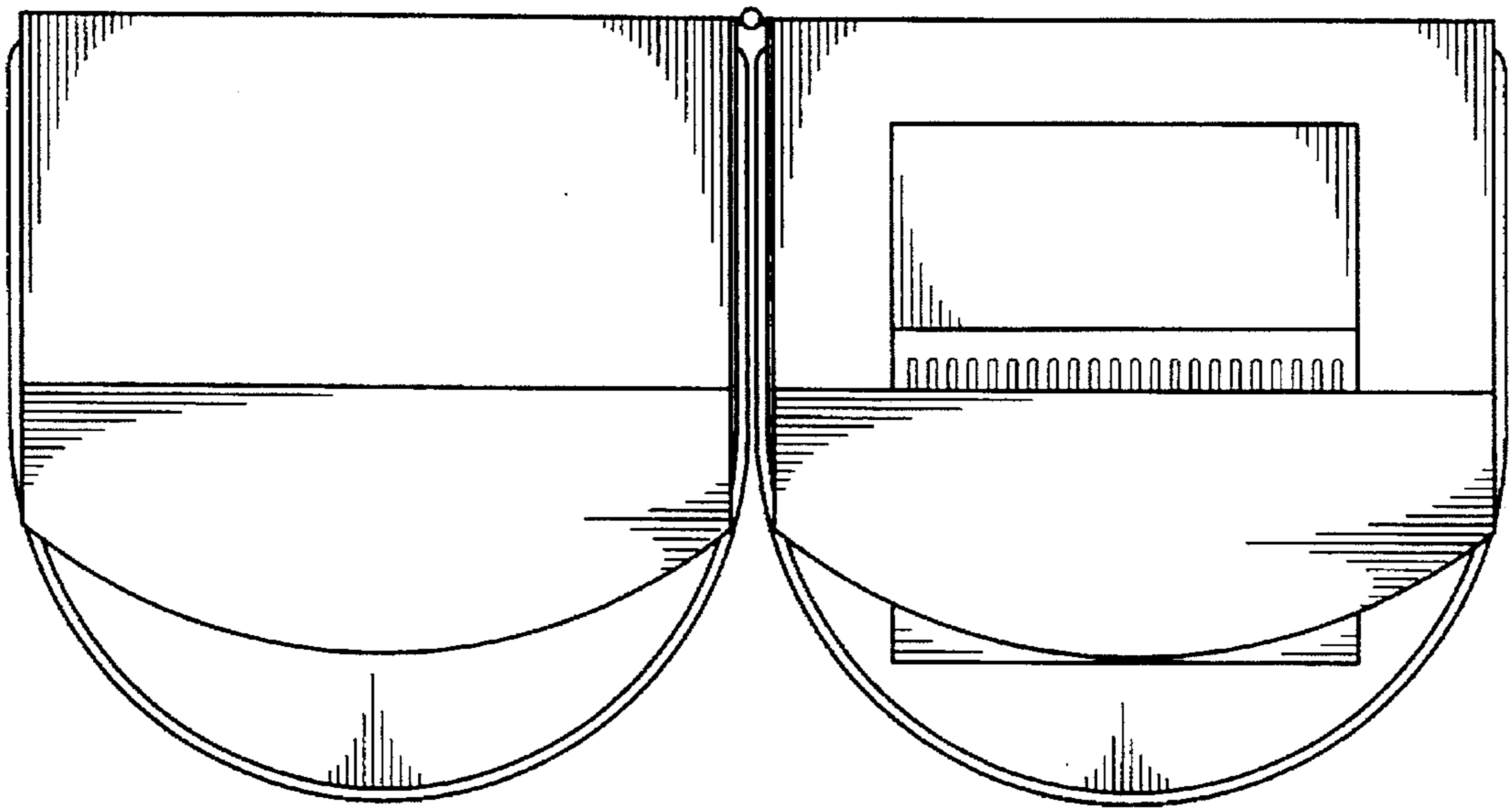


Fig. 7.

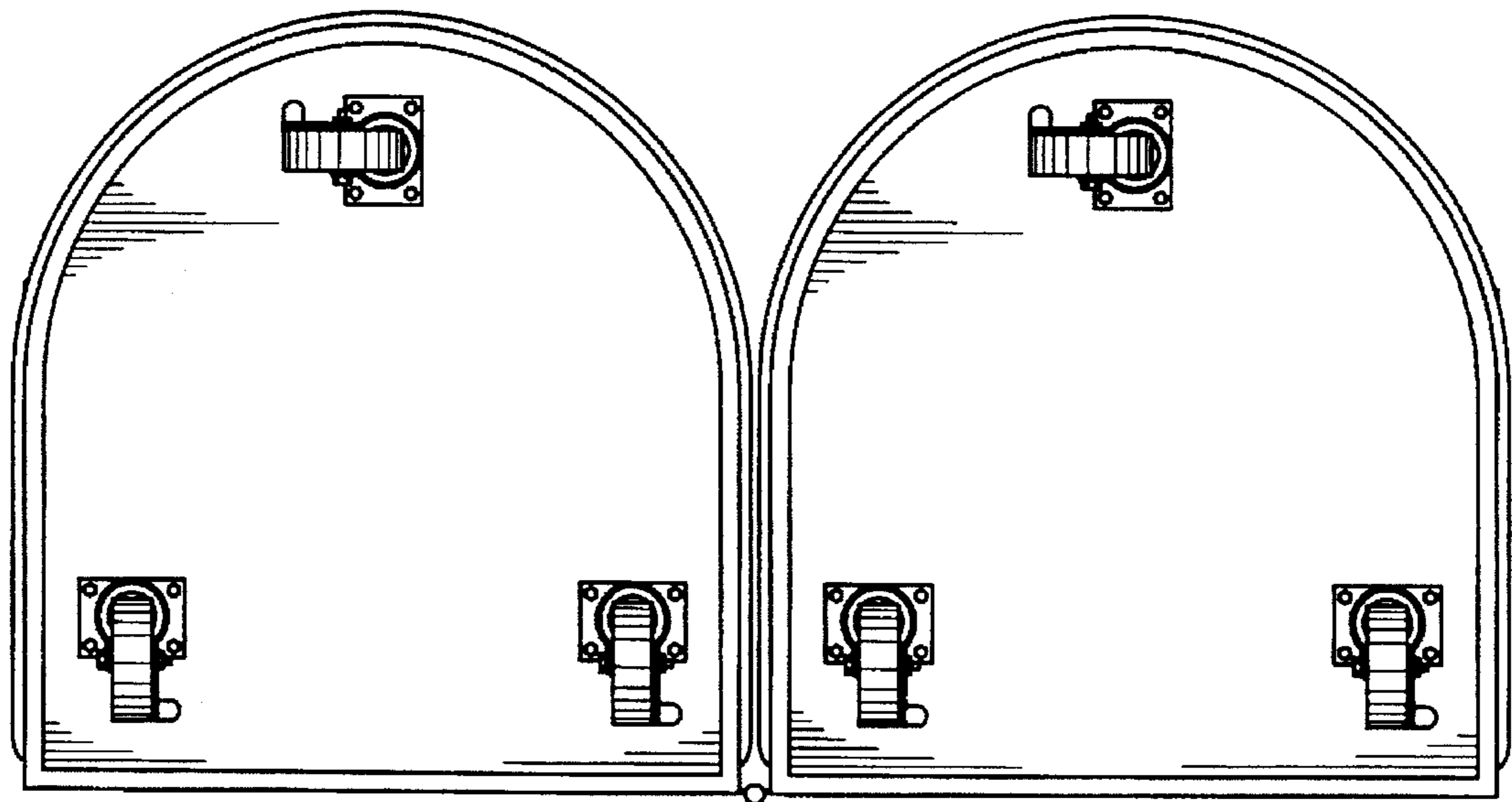


Fig. 8.

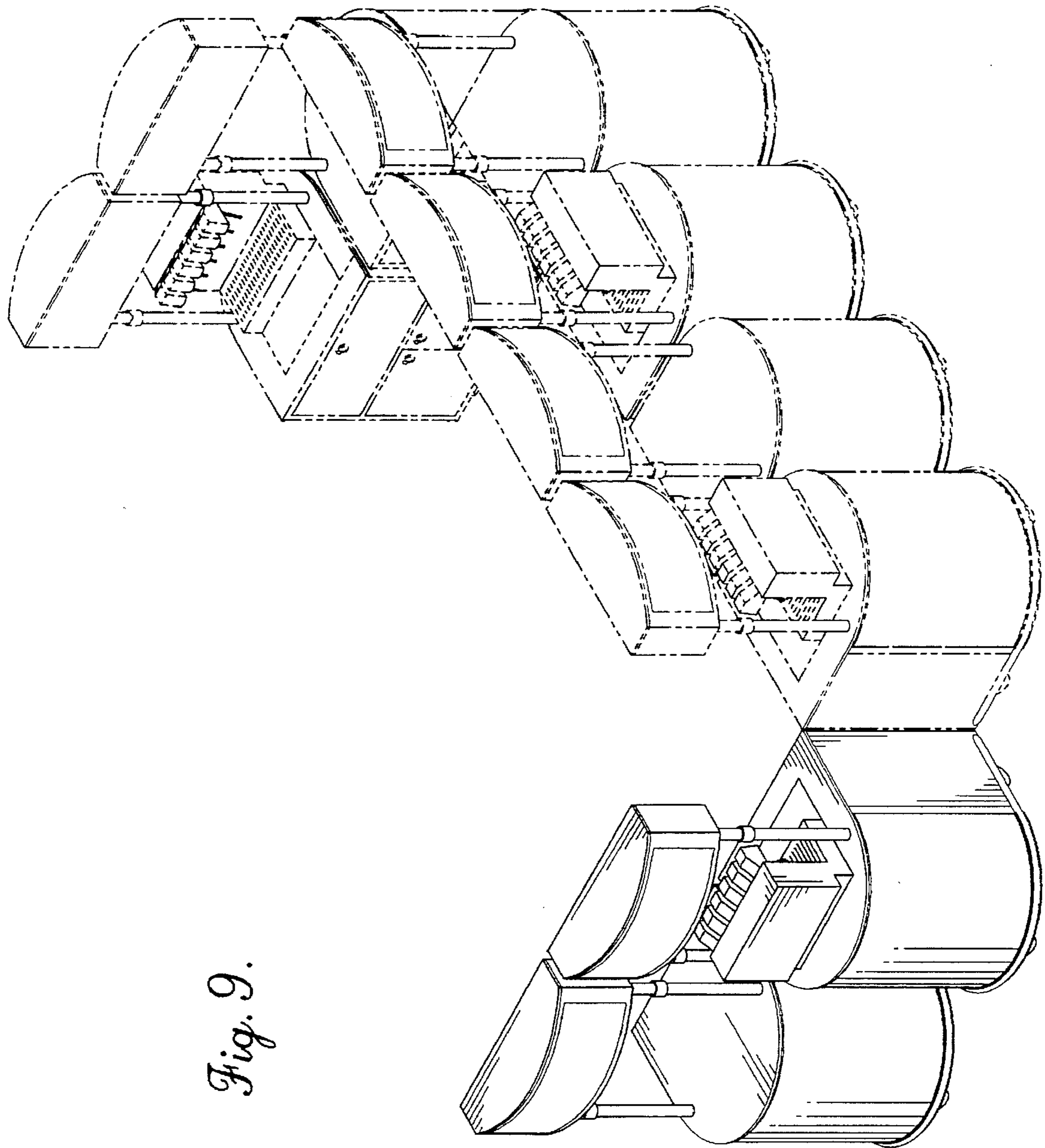


Fig. 9.

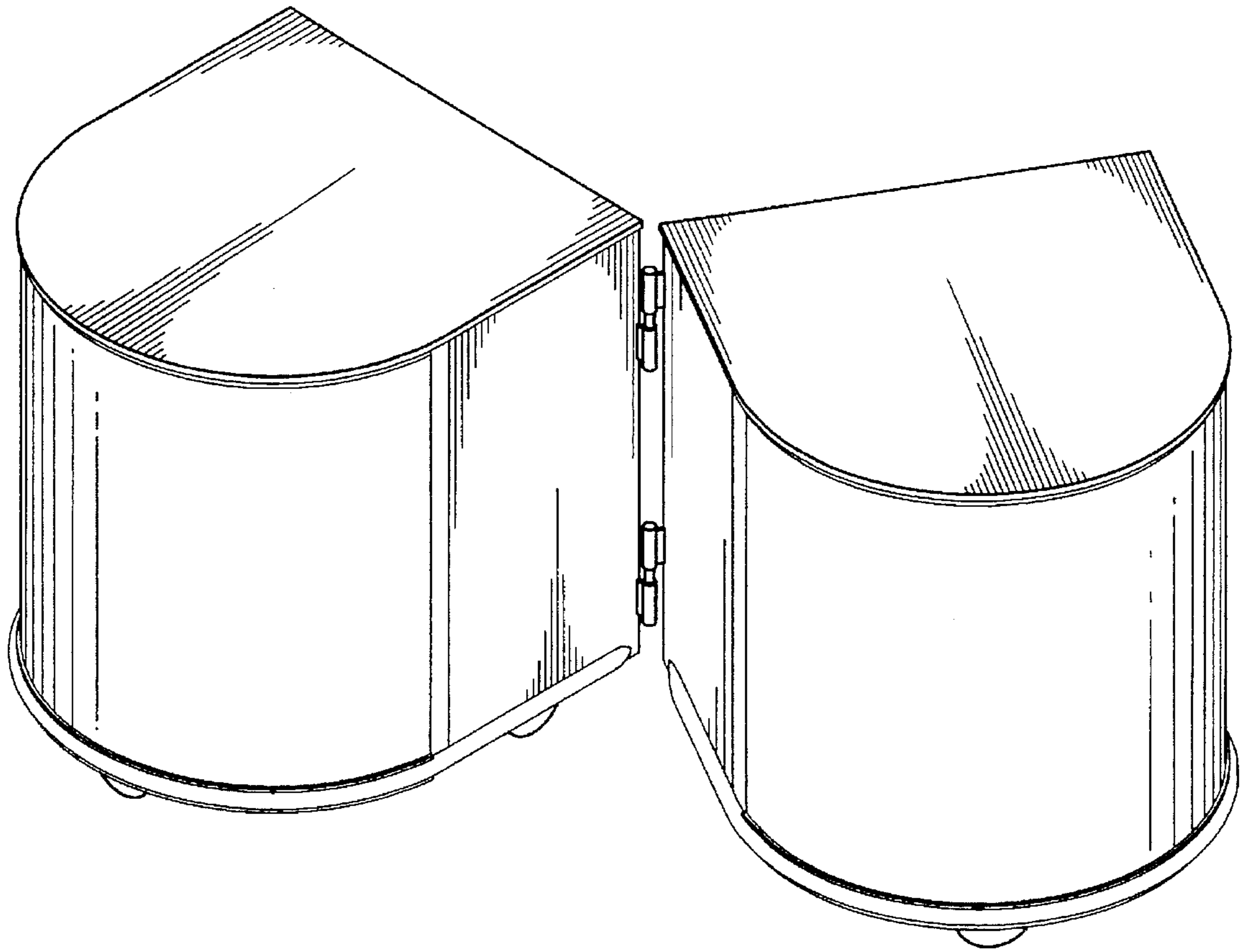


Fig. 10.