



US00D381163S

United States Patent [19]

Lee

[11] Patent Number: **Des. 381,163**

[45] Date of Patent: ****Jul. 15, 1997**

[54] **WHEELED REFUSE CONTAINER AXLE**

[75] Inventor: **Norman C. Lee**, Greensboro, N.C.

[73] Assignee: **Compagnie Plastic Omnium**, Lyons, France

[**] Term: **14 Years**

[21] Appl. No.: **39,888**

[22] Filed: **Jun. 6, 1995**

[51] LOC (6) Cl. **09-09**

[52] U.S. Cl. **D34/10; D12/160**

[58] Field of Search D34/1, 5-7, 10, D34/11; D12/159, 160; 301/1, 124.1, 125; 220/908-911, 404; 280/47.26, 47.15

[56] **References Cited**

U.S. PATENT DOCUMENTS

1,014,475	1/1912	Holloway	280/47.26
2,598,831	6/1952	Ramey	280/47.26
2,978,277	4/1961	Gaudry	301/1
3,575,284	4/1971	Holt	206/1
3,767,224	10/1973	Schneeweiss	D12/160
3,870,371	3/1975	Solomon	301/1
3,994,355	11/1976	Rizzo	301/1
4,057,872	11/1977	Schmidt	16/29
4,351,539	9/1982	Rodolakis	280/47.26
4,450,976	5/1984	Snyder et al.	220/908

Primary Examiner—A. Hugo Word

Assistant Examiner—Robin V. Taylor
Attorney, Agent, or Firm—Conley, Rose & Tayon, P.C.

[57] **CLAIM**

The ornamental design for a wheeled refuse container axle, as shown and described.

DESCRIPTION

FIG. 1 is a perspective view of a wheeled refuse container axle showing my new design, the broken line showing is for illustrative purposes only and forms no part of the claimed design.

FIG. 2 is an isometric view of the wheeled refuse container axle apart from a refuse container;

FIG. 3 is a view of the right side of the wheeled refuse container axle;

FIG. 4 is a view of the top of the wheeled refuse container axle;

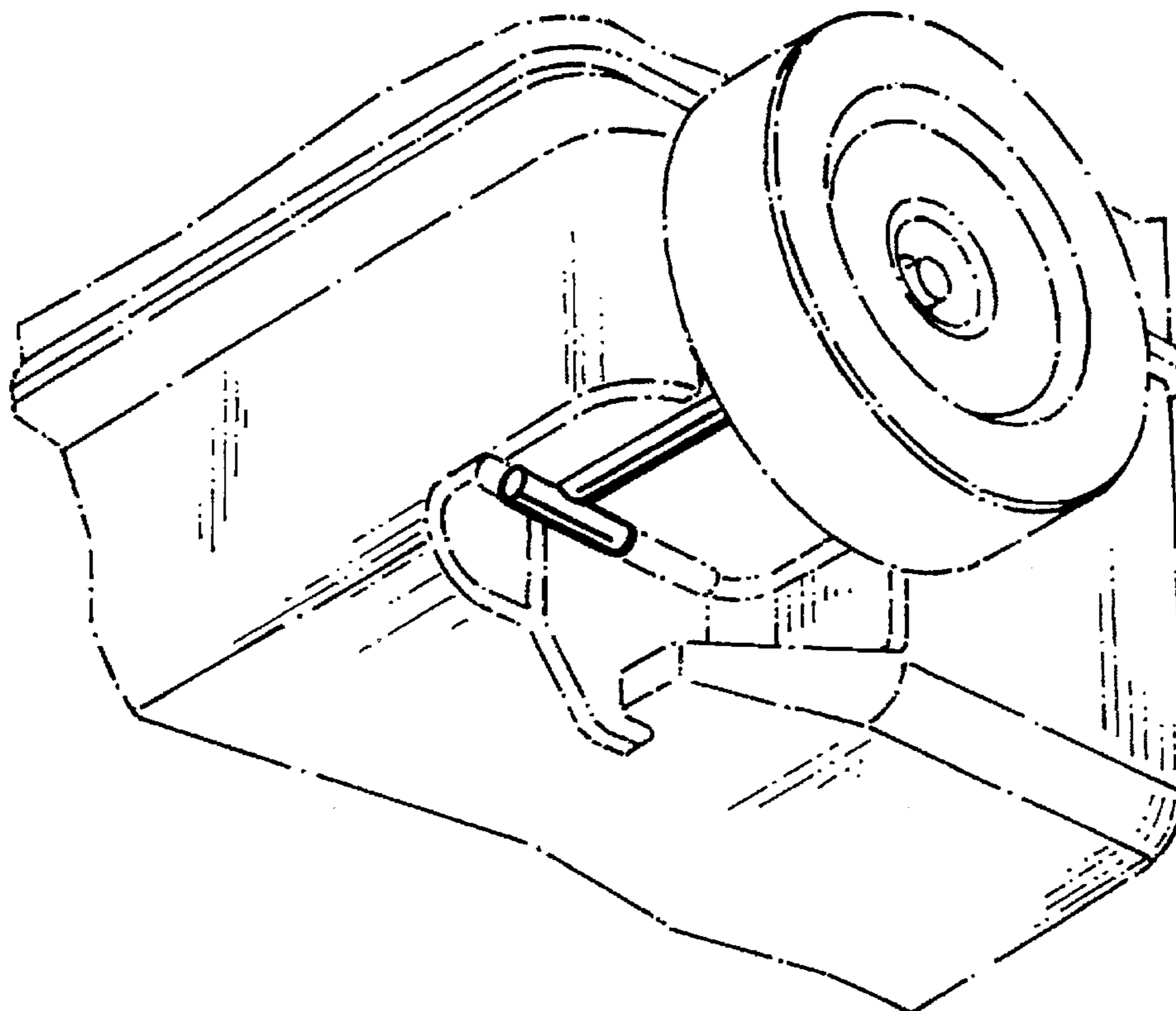
FIG. 5 is a view of the left side of the wheeled refuse container axle;

FIG. 6 is a view of the bottom of the wheeled refuse container axle;

FIG. 7 is a rear end view of the wheeled refuse container axle along its primary longitudinal axis from "T" connection end to the end to which a wheel would connect; and,

FIG. 8 is a view of the wheeled refuse container axle along its primary longitudinal axis from the end to which a wheel would connect to the "T" connection end.

1 Claim, 2 Drawing Sheets



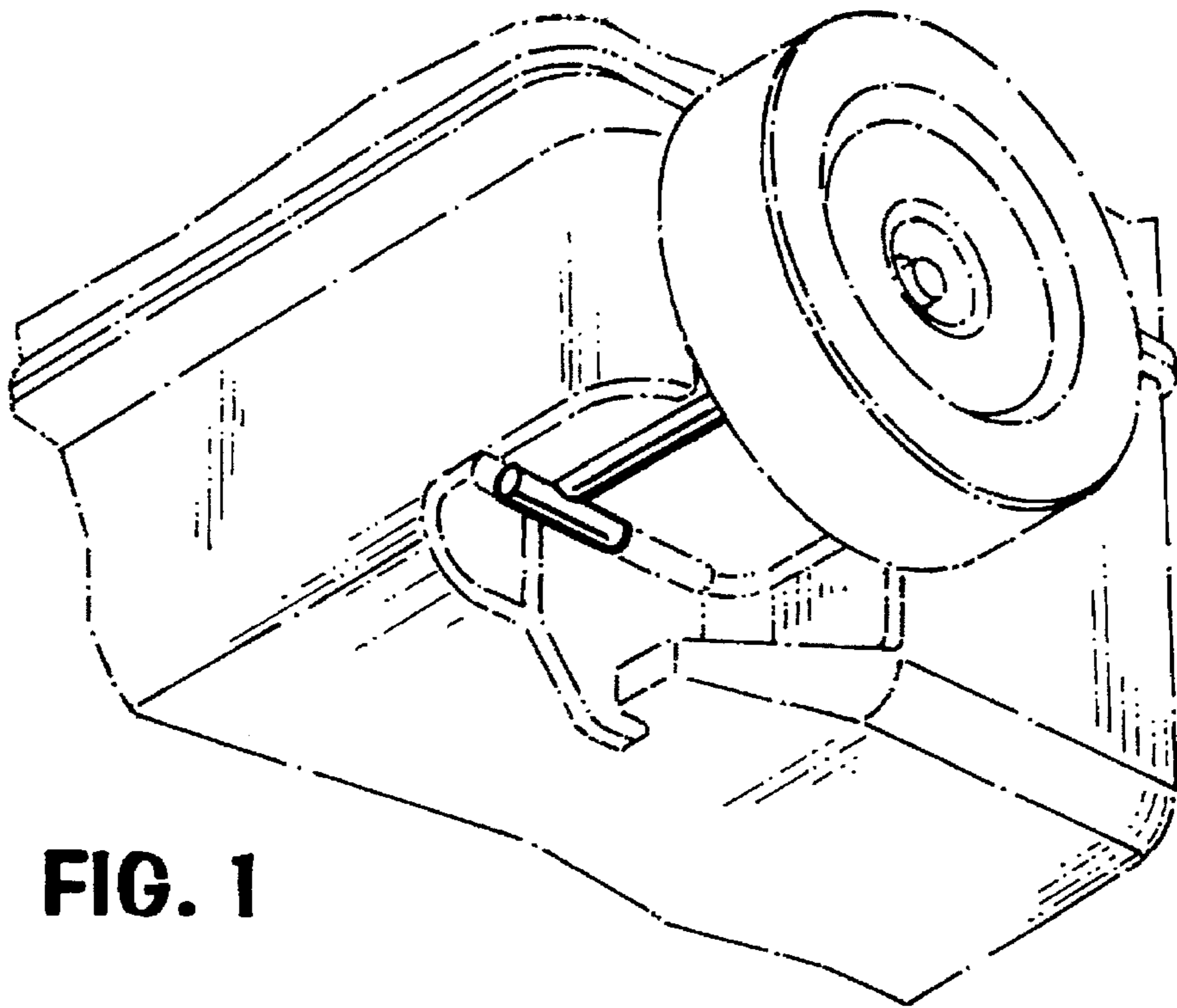


FIG. 1

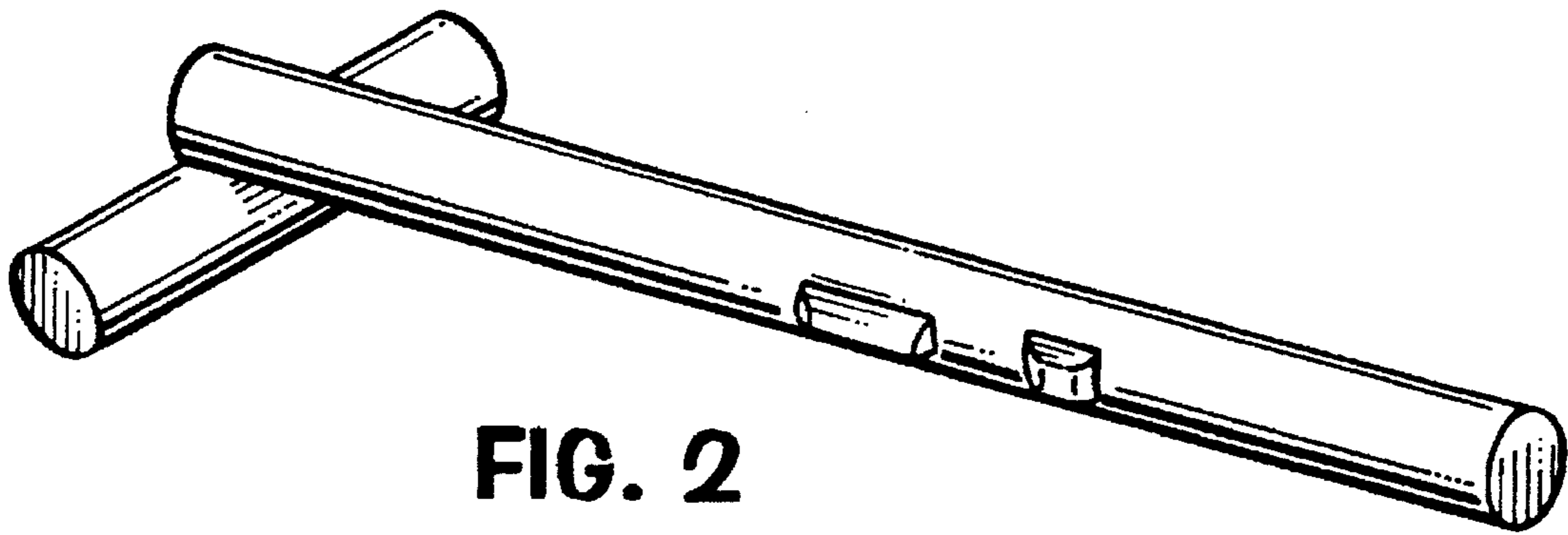


FIG. 2

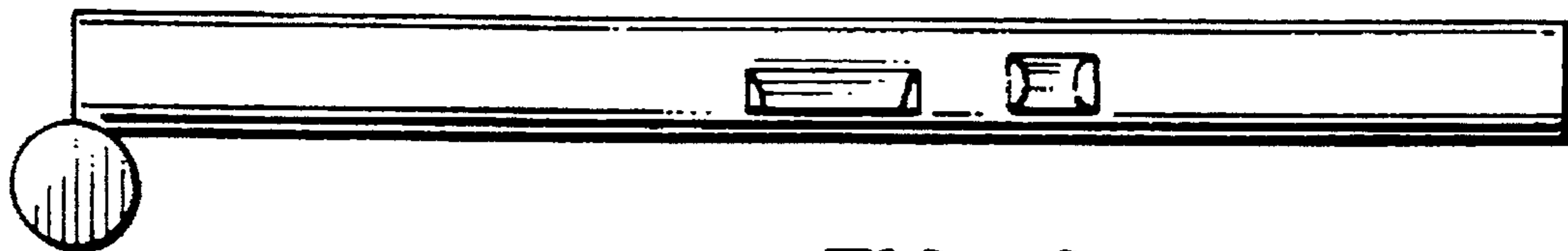


FIG. 3

