



US00D381155S

United States Patent [19]

[11] Patent Number: **Des. 381,155**

Powers

[45] Date of Patent: ****Jul. 15, 1997**

[54] **TWO PIECE CLEANING TOOL FOR LIFTING AND DISPOSAL OF WET AND DRY SPILLS**

2,651,925	9/1953	Lawrence .	
3,121,248	2/1964	Ferguson .	
3,534,424	10/1970	Levison .	
4,631,774	12/1986	Kania	15/257.1
4,809,390	3/1989	Jackson et al.	15/257.9

[76] Inventor: **Cameron A. Powers**, 934 Greenleaf Ave., Burlington, Wash. 98233

Primary Examiner—Susan J. Lucas
Assistant Examiner—Cynthia E. Ramirez

[**] Term: **14 Years**

[57] **CLAIM**

[21] Appl. No.: **53,177**

The ornamental design for a two-piece cleaning tool for lifting and disposal of wet and dry spills, as shown and described.

[22] Filed: **Apr. 15, 1996**

[51] LOC (6) Cl. **07-05**

DESCRIPTION

[52] U.S. Cl. **D32/74**

[58] Field of Search D32/74; 15/257.1, 15/257.2, 257.5, 257.6, 257.7, 257.8, 257.9

FIG. 1 is a front elevational view of the two-piece cleaning tool for lifting and disposal of wet and dry spills showing my new design;
FIG. 2 is a rear elevational view thereof;
FIG. 3 is a side view thereof; and,
FIG. 4 is an isometric view thereof.

[56] **References Cited**

U.S. PATENT DOCUMENTS

D. 67,490	6/1925	Briggs	D32/74
D. 180,209	4/1957	Tupper	D32/74
D. 370,755	6/1996	Johnson, Sr.	D32/35

1 Claim, 3 Drawing Sheets

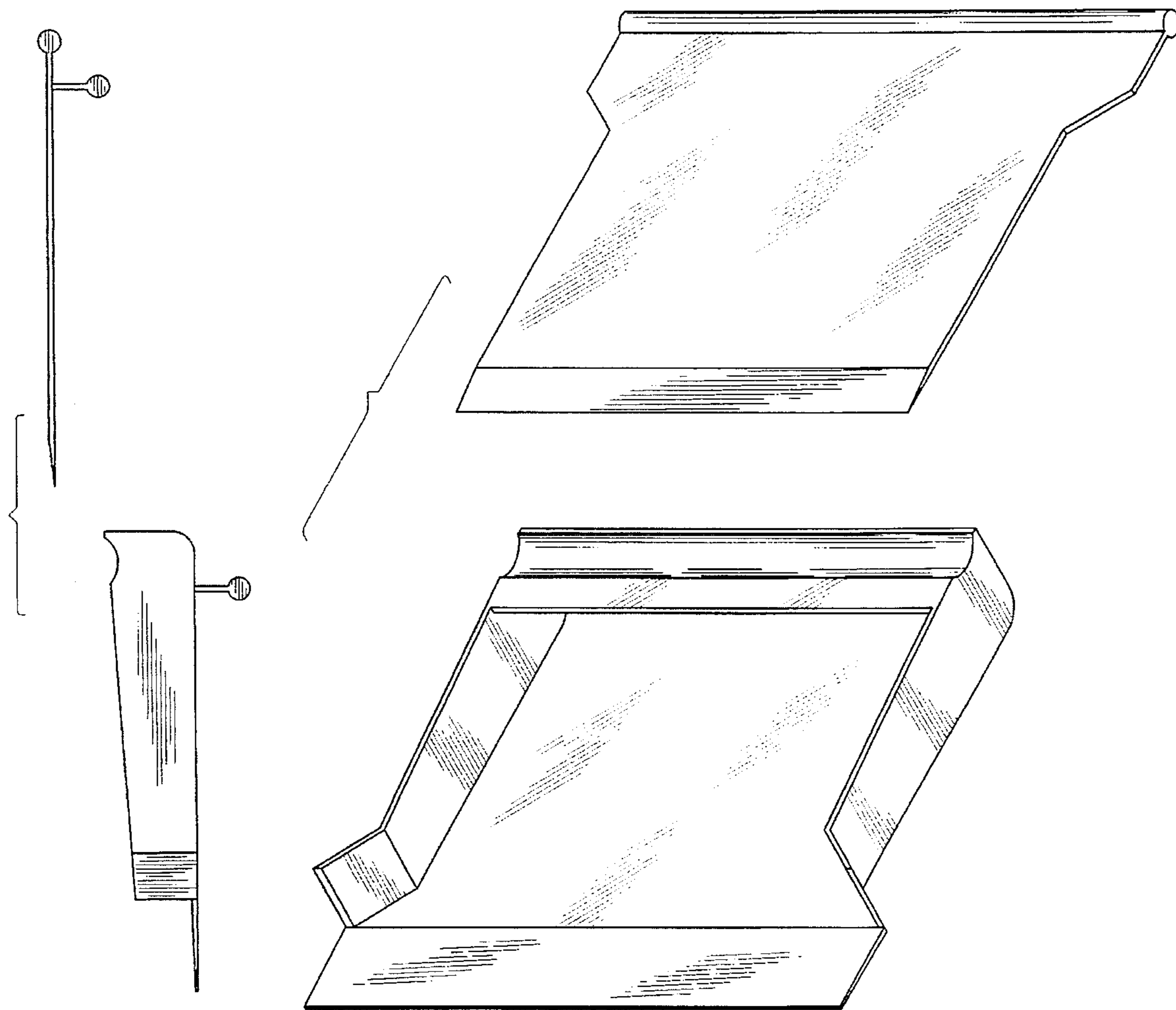


FIG. 1

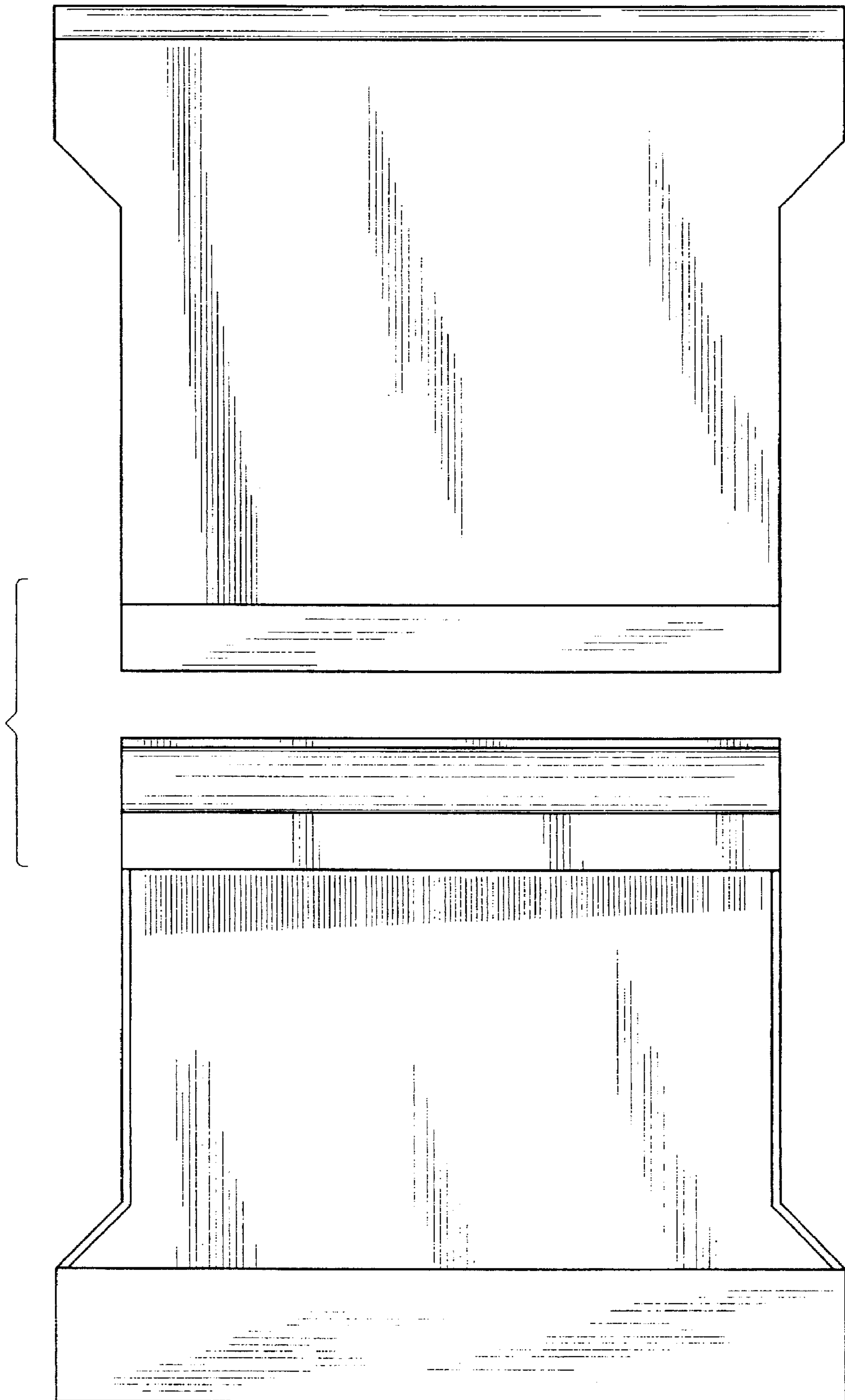


FIG. 2

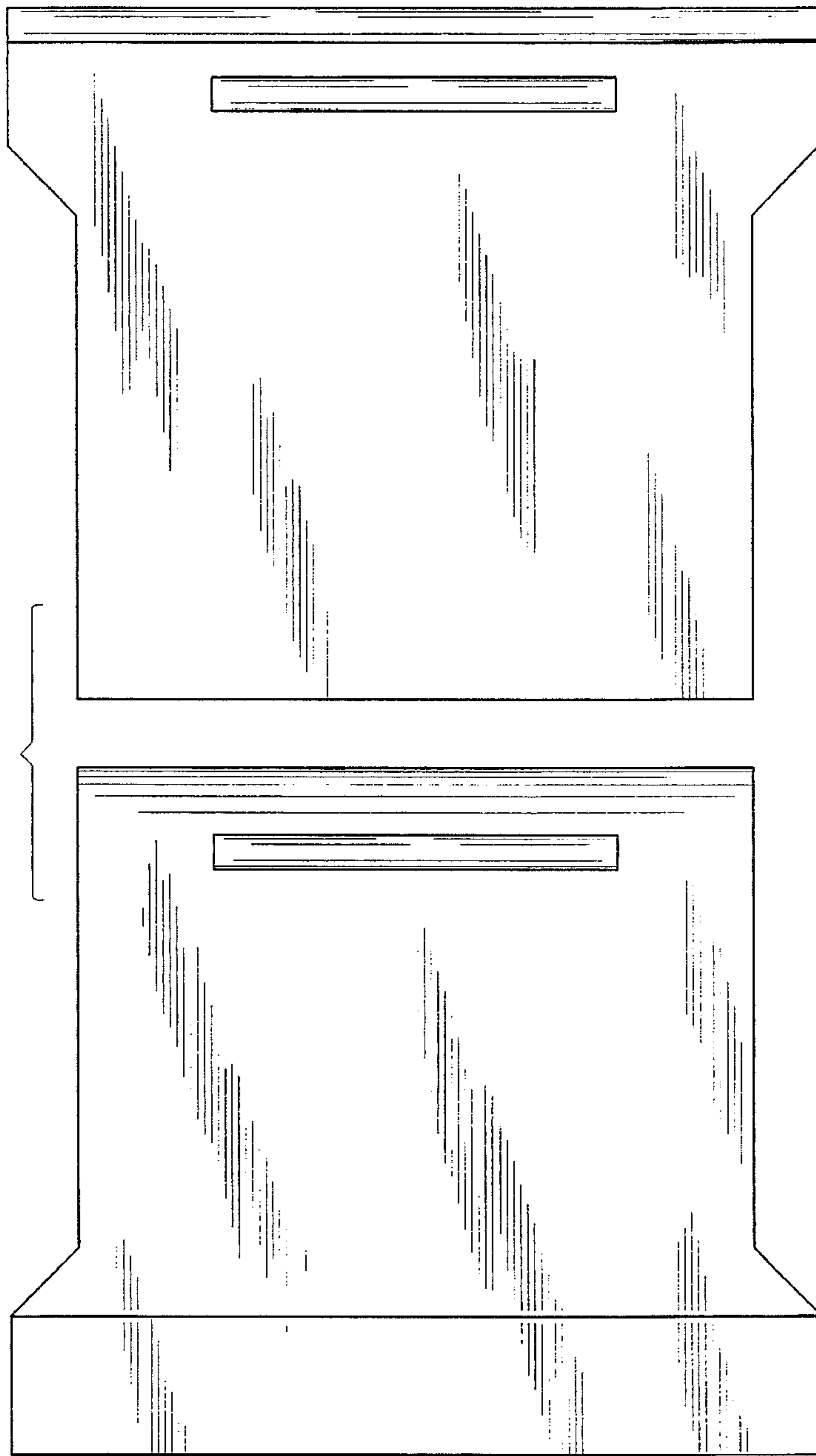


FIG. 3

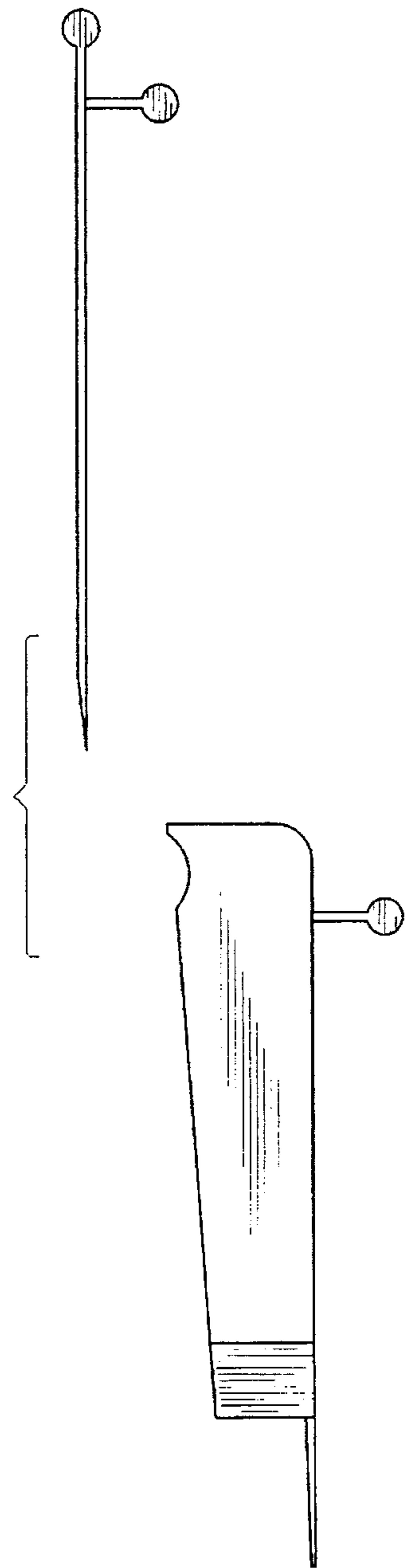


FIG. 4

