



US00D381151S

# United States Patent [19] Lin

[11] Patent Number: Des. 381,151

[45] Date of Patent: \*\*Jul. 15, 1997

[54] ELECTRIC IRON

[76] Inventor: Yu-Yuan Lin, P.O. Box 1032, Tainan, Taiwan

[\*\*] Term: 14 Years

[21] Appl. No.: 53,149

[22] Filed: Apr. 15, 1996

[51] LOC (6) Cl. .... 07-05

[52] U.S. Cl. .... D32/69

[58] Field of Search ..... D32/68, 69, 70, D32/71; 38/69, 74, 75, 77.1, 77.4, 77.5, 77.7, 77.8; 219/245, 249

[56] **References Cited**

**U.S. PATENT DOCUMENTS**

D. 92,803	7/1934	Hadley	.....	D32/69
D. 151,470	10/1948	Ross	.....	D32/69
D. 167,096	6/1952	Perl	.....	D32/69
D. 167,776	9/1952	Spencer et al.	.....	D32/69
D. 173,308	10/1954	Jepson et al.	.....	D32/69

D. 182,922	5/1958	Rawson et al.	.....	D32/69
D. 205,903	10/1966	Marshall et al.	.....	D32/69
3,308,566	3/1967	Jepson et al.	.....	
5,349,160	9/1994	Hazan et al.	.....	38/75 X

Primary Examiner—Susan J. Lucas  
Assistant Examiner—Cynthia E. Ramirez

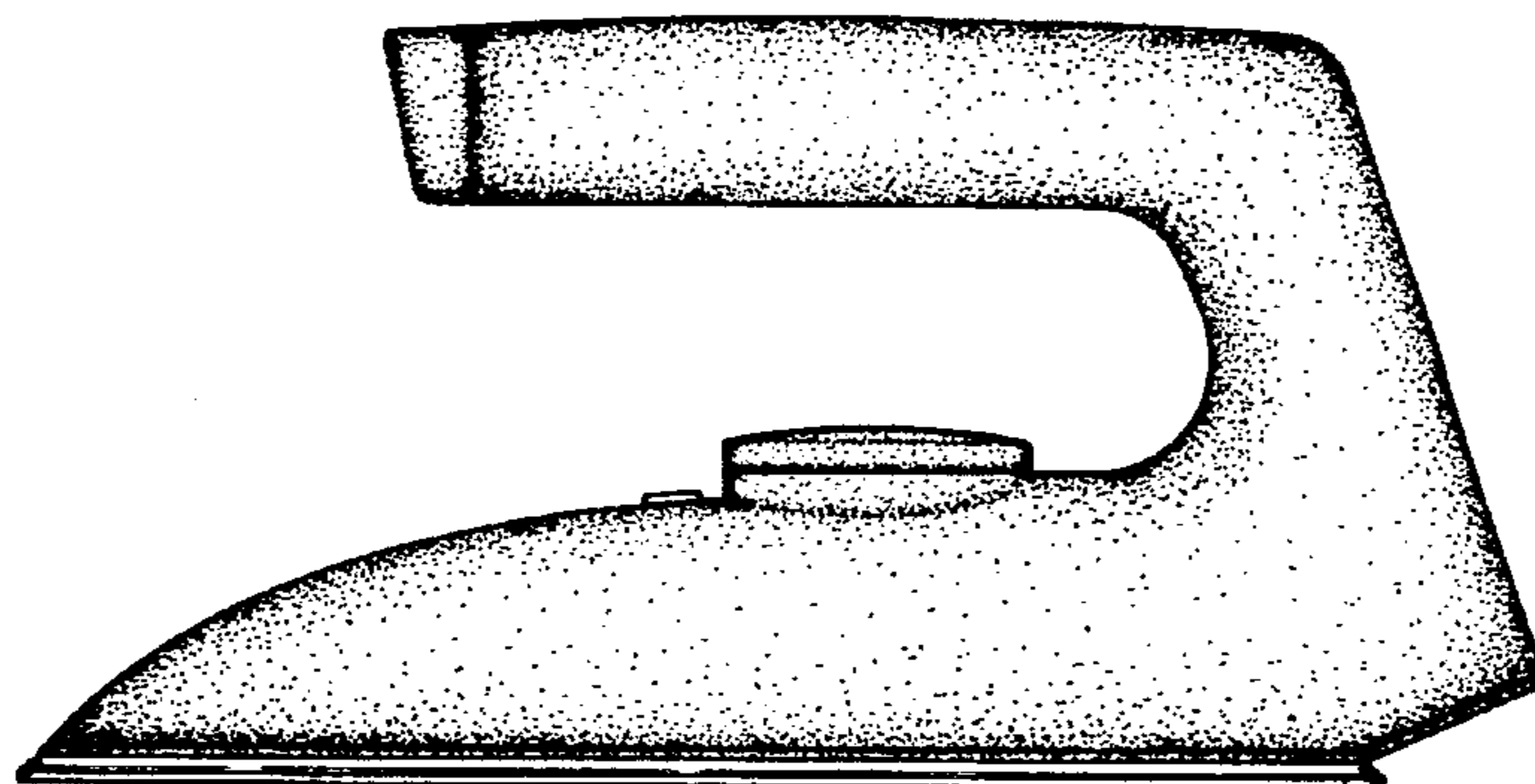
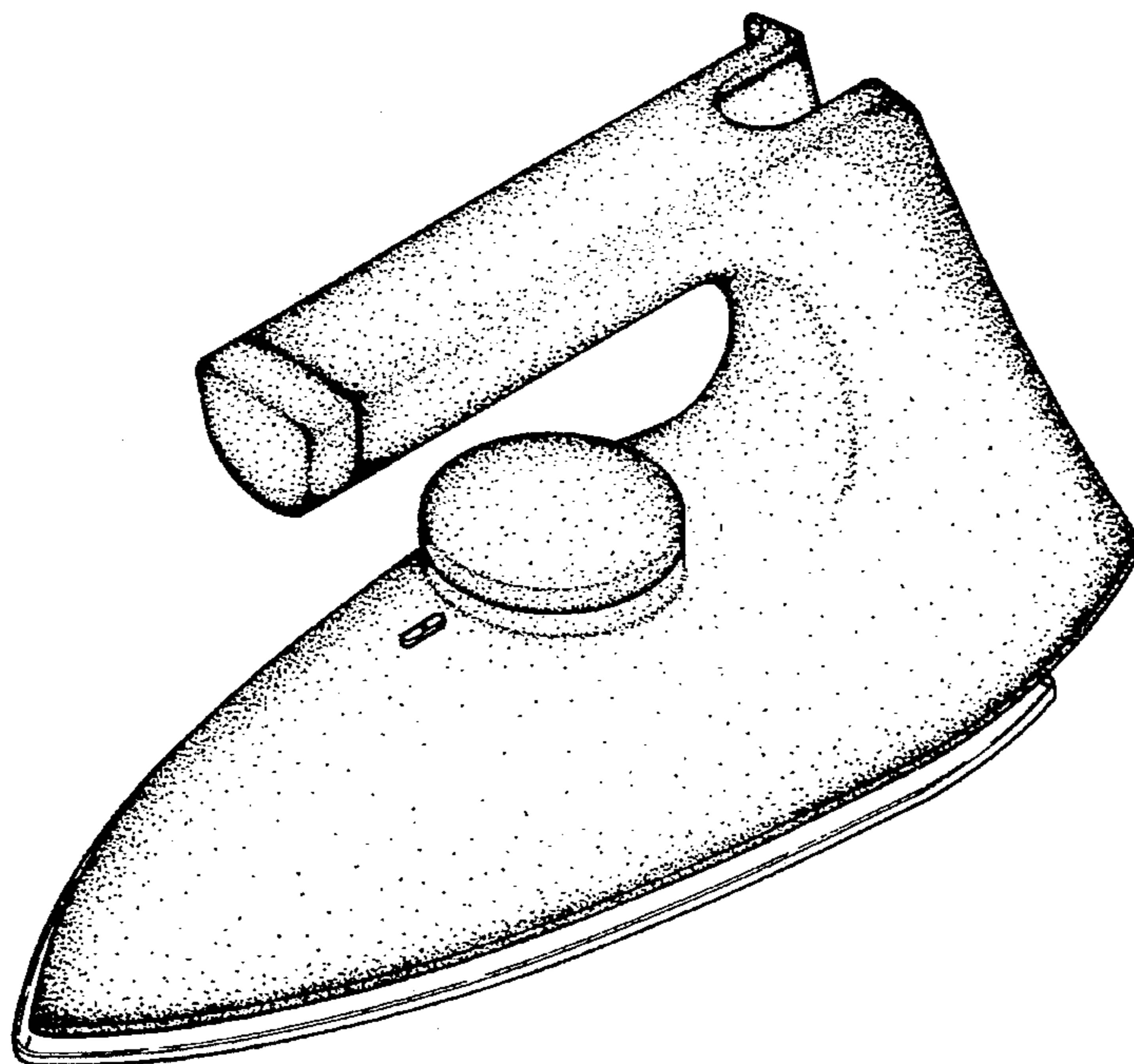
[57] **CLAIM**

The ornamental design for an electric iron, as shown and described.

**DESCRIPTION**

FIG. 1 is a perspective view of an electric iron showing my new design;  
FIG. 2 is a front elevational view thereof;  
FIG. 3 is a rear elevational view thereof;  
FIG. 4 is a left side elevational view thereof;  
FIG. 5 is a right side elevational view thereof;  
FIG. 6 is a top plan view thereof; and,  
FIG. 7 is a bottom plan view thereof.

1 Claim, 6 Drawing Sheets



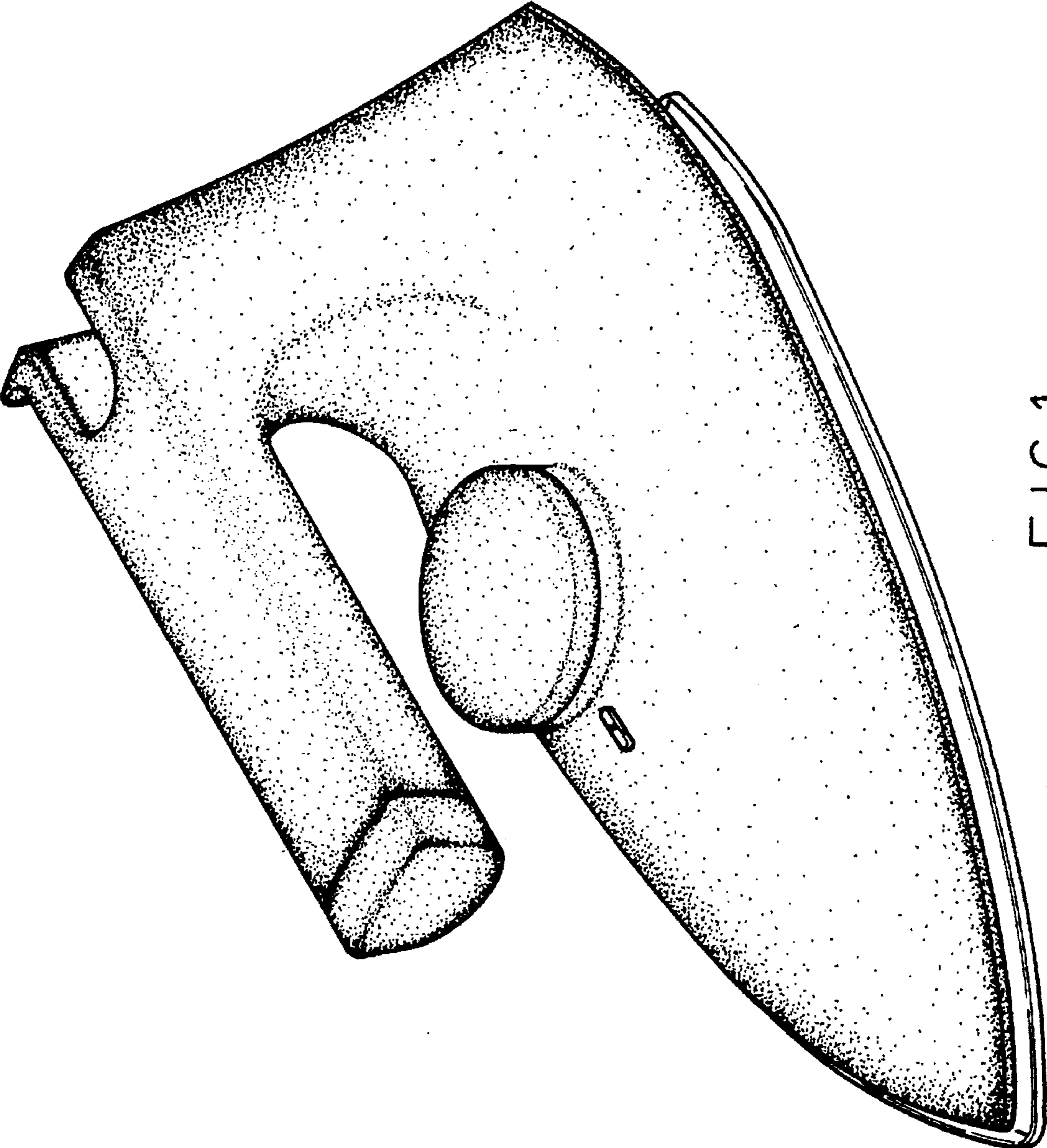


FIG.1

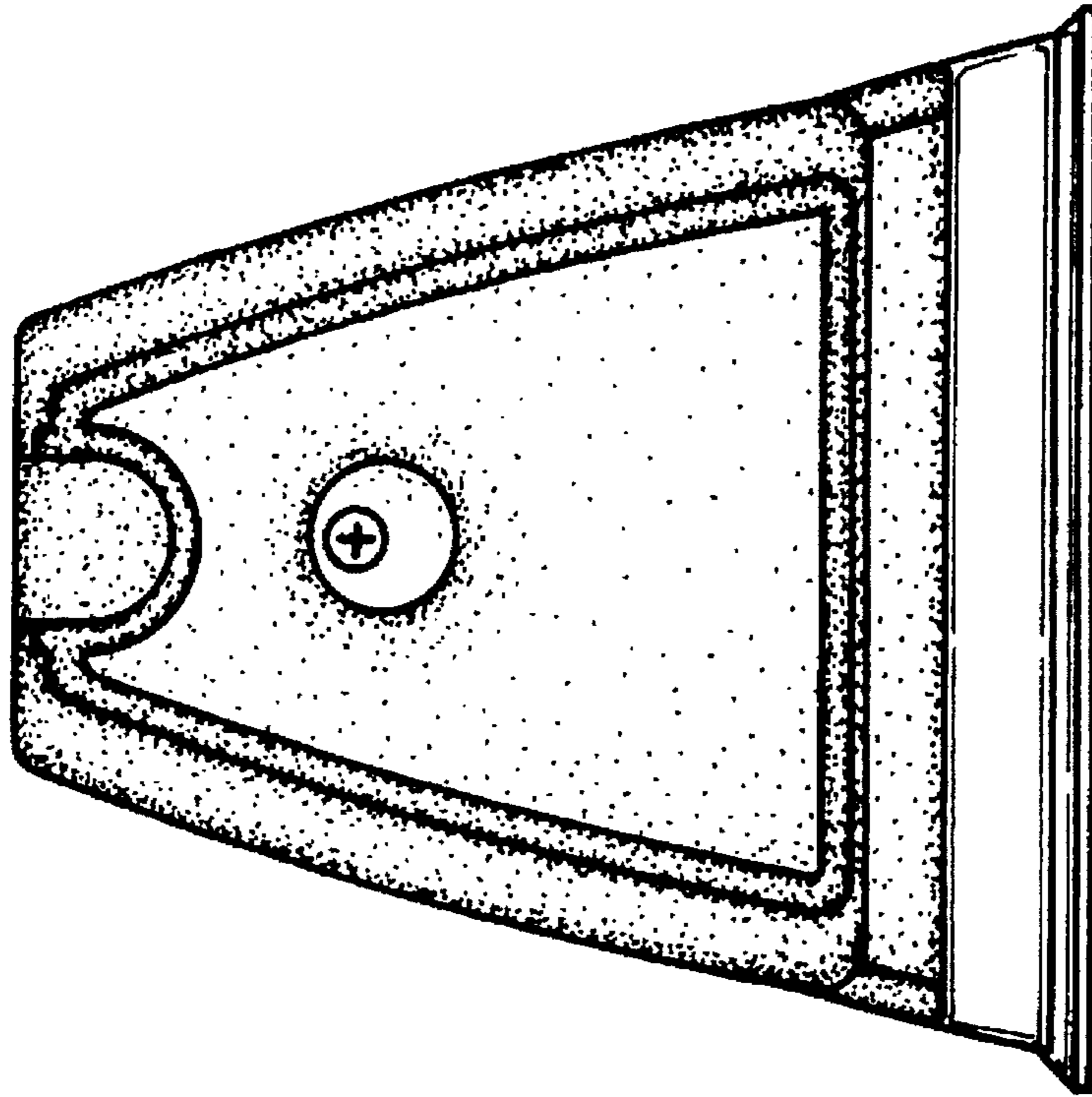


FIG. 2

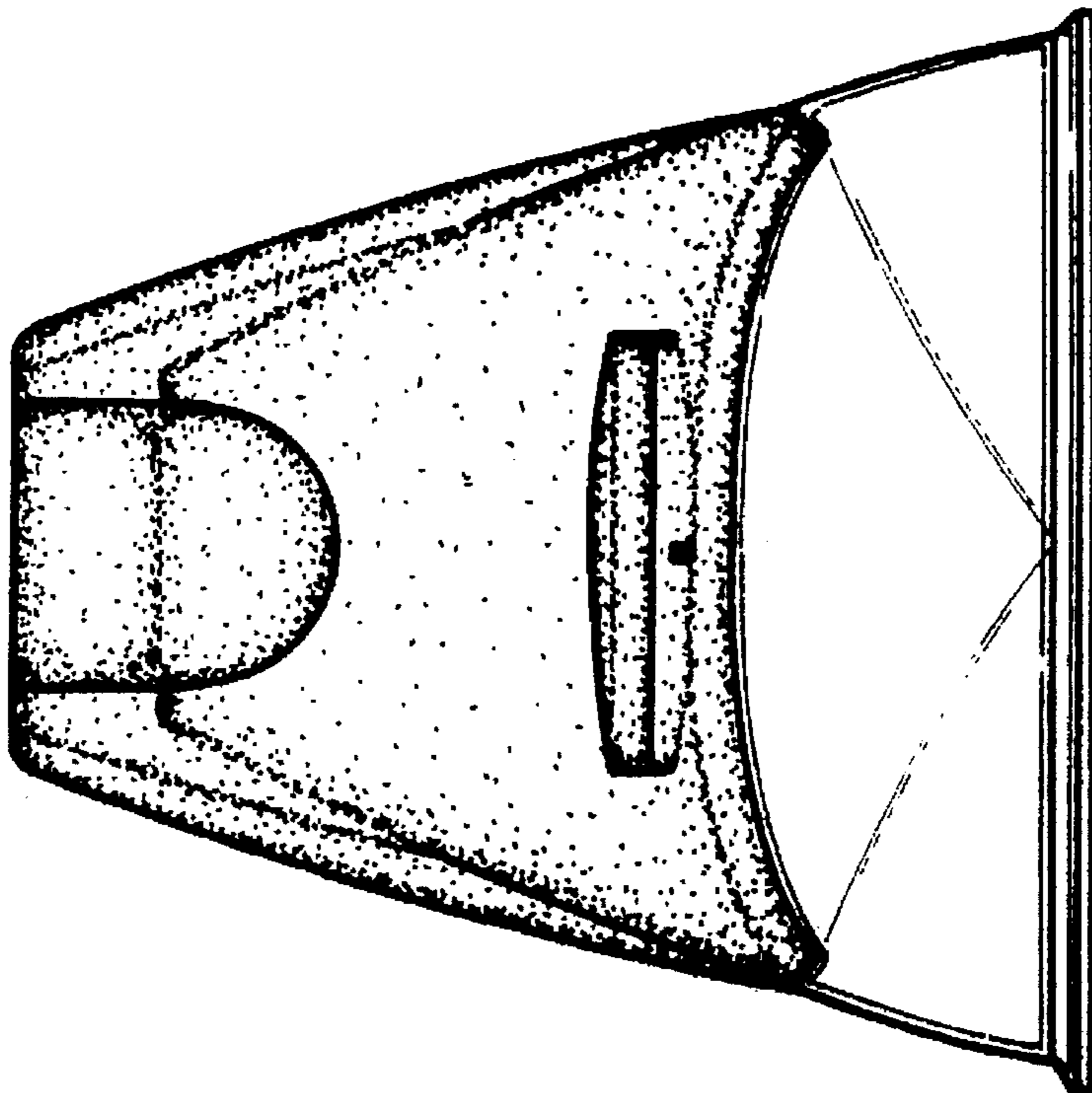


FIG. 3



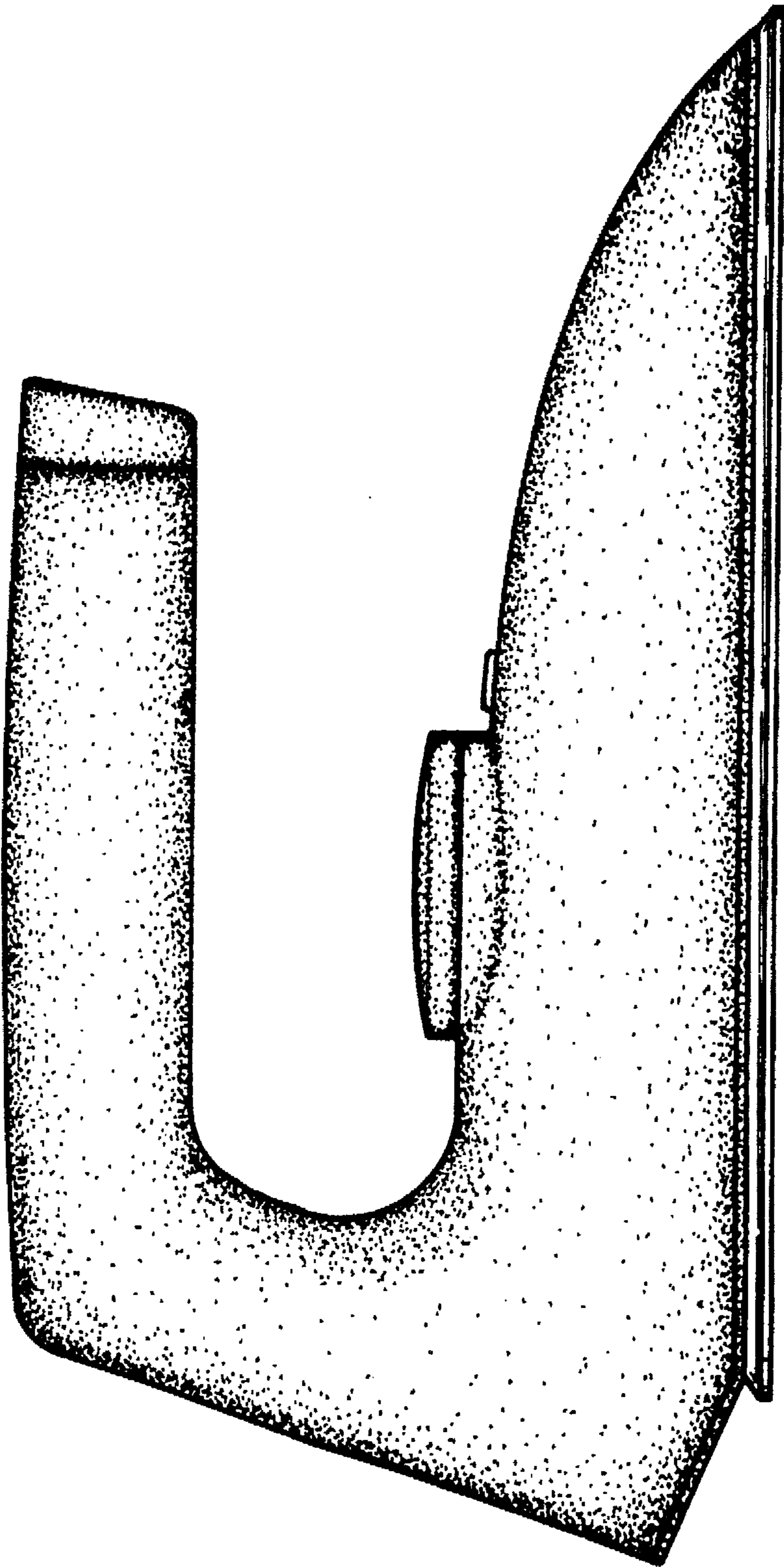


FIG. 4

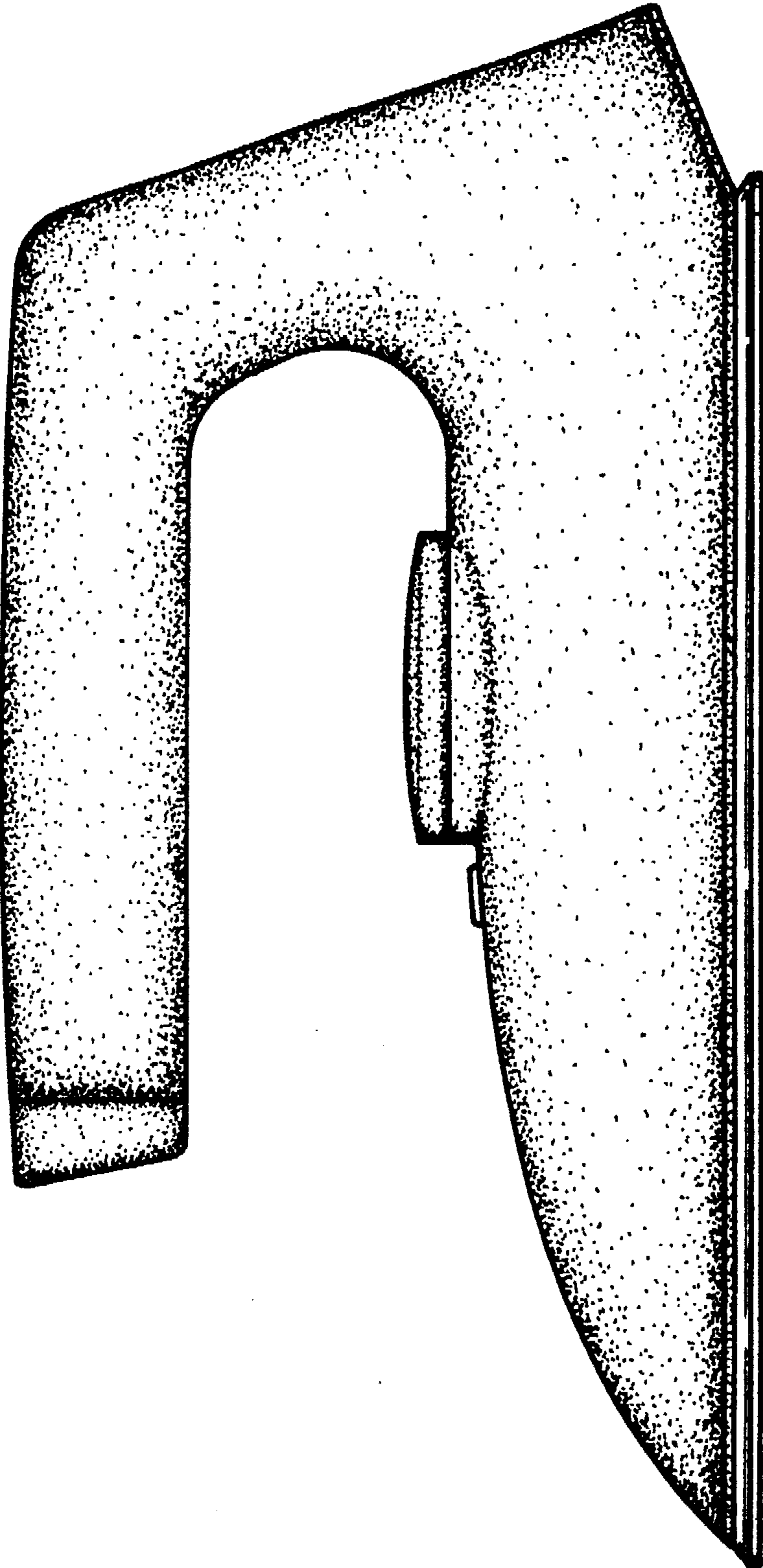


FIG. 5

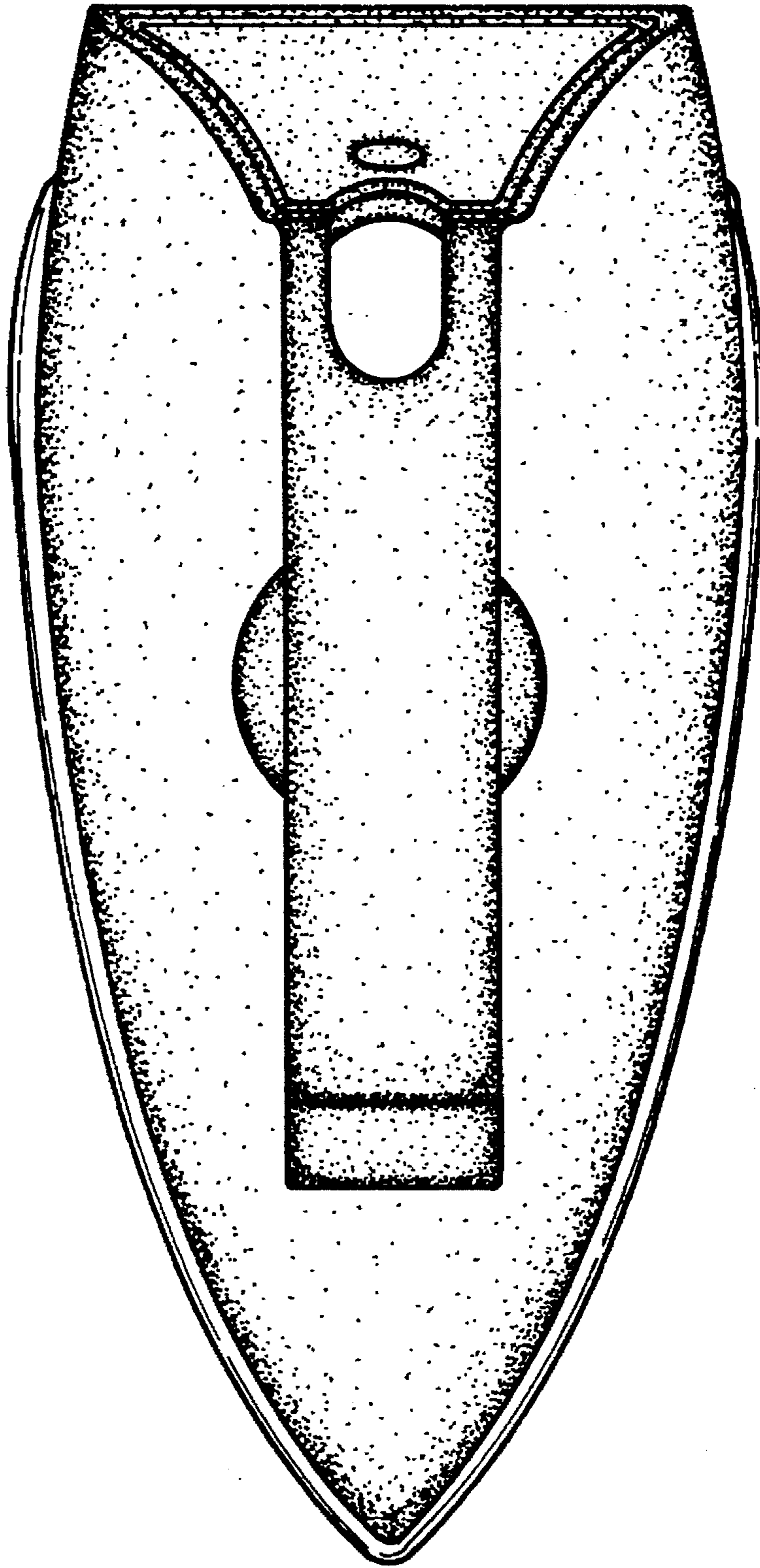


FIG. 6

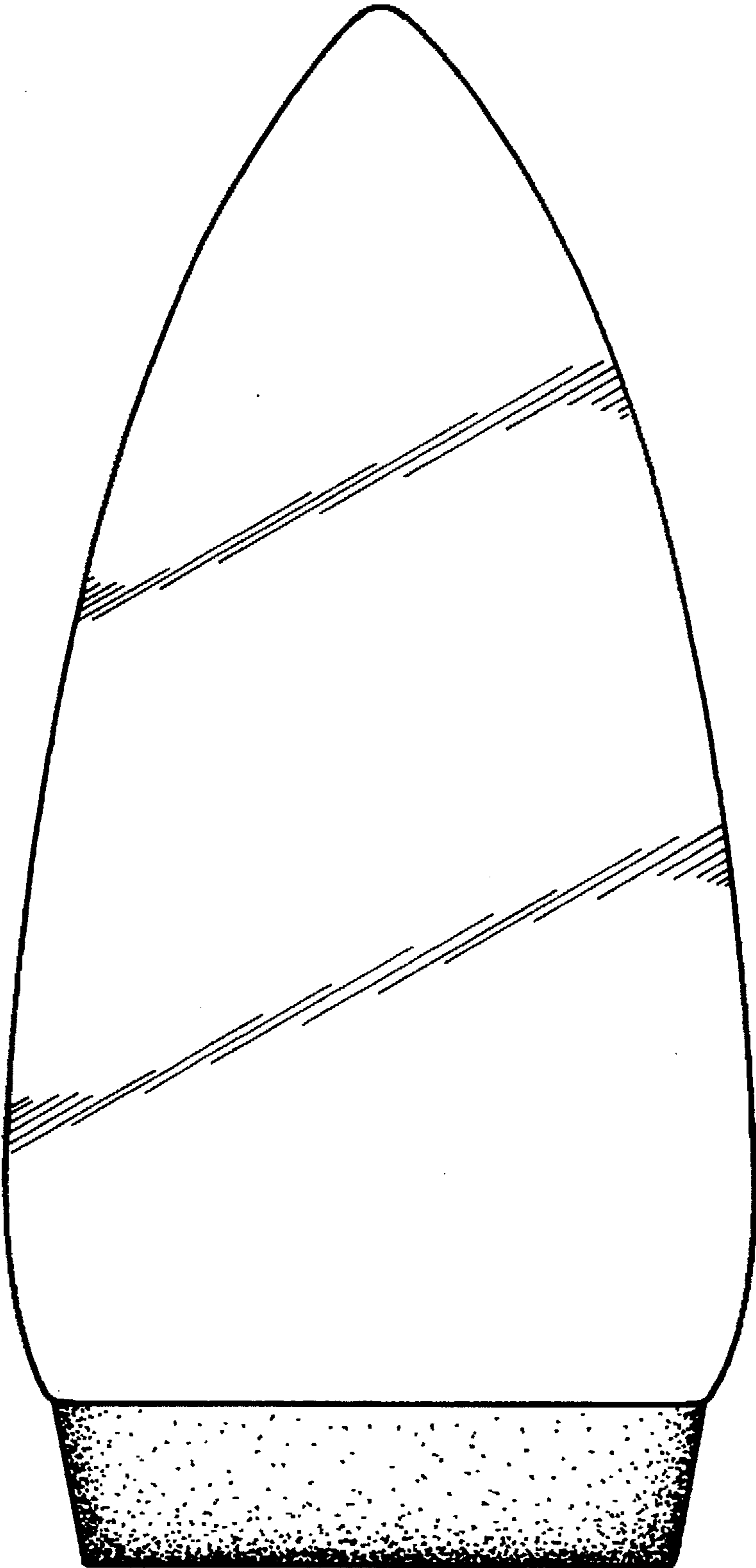


FIG. 7