



US00D381150S

United States Patent [19]

Berti

[11] Patent Number: **Des. 381,150**

[45] Date of Patent: ****Jul. 15, 1997**

[54] **SPONGE MOP HEAD**

[75] Inventor: **Enzo Berti**, Venice, Italy

[73] Assignee: **The Libman Company**, Arcola, Ill.

[**] Term: **14 Years**

[21] Appl. No.: **44,321**

[22] Filed: **Sep. 22, 1995**

[51] LOC (6) Cl. **04-01**

[52] U.S. Cl. **D32/50**

[58] Field of Search D32/50, 51, 52;
15/115, 119.2, 116.2, 118, 229.3, 229.6-229.8,
228; 401/203, 204, 205, 137, 138, 139

[56] **References Cited**

U.S. PATENT DOCUMENTS

- D. 287,173 12/1986 Libman D32/51
- D. 294,415 2/1988 Jones D32/44
- 2,637,059 5/1953 Vosbikian 15/119.2
- 2,769,995 11/1956 Klein D32/50 X

- 2,888,701 6/1959 Twerdahl D32/50 X
- 3,050,761 8/1962 Morgan 15/118 X
- 4,468,832 9/1984 Batchelor 15/119.2 X
- 5,371,917 12/1994 Hoagland 15/118 X

Primary Examiner—Susan J. Lucas
Assistant Examiner—Cynthia Ramirz
Attorney, Agent, or Firm—Marshall, O’Toole, Gerstein,
Murray & Borun

[57] **CLAIM**

The ornamental design for a sponge mop head, as shown and described.

DESCRIPTION

FIG. 1 is a top, front, and left-side perspective view of a sponge mop head showing the new design;
FIG. 2 is a front elevational view thereof, the rear elevational view being identical;
FIG. 3 is a side elevational view thereof; and,
FIG. 4 is a top plan view thereof.

1 Claim, 2 Drawing Sheets

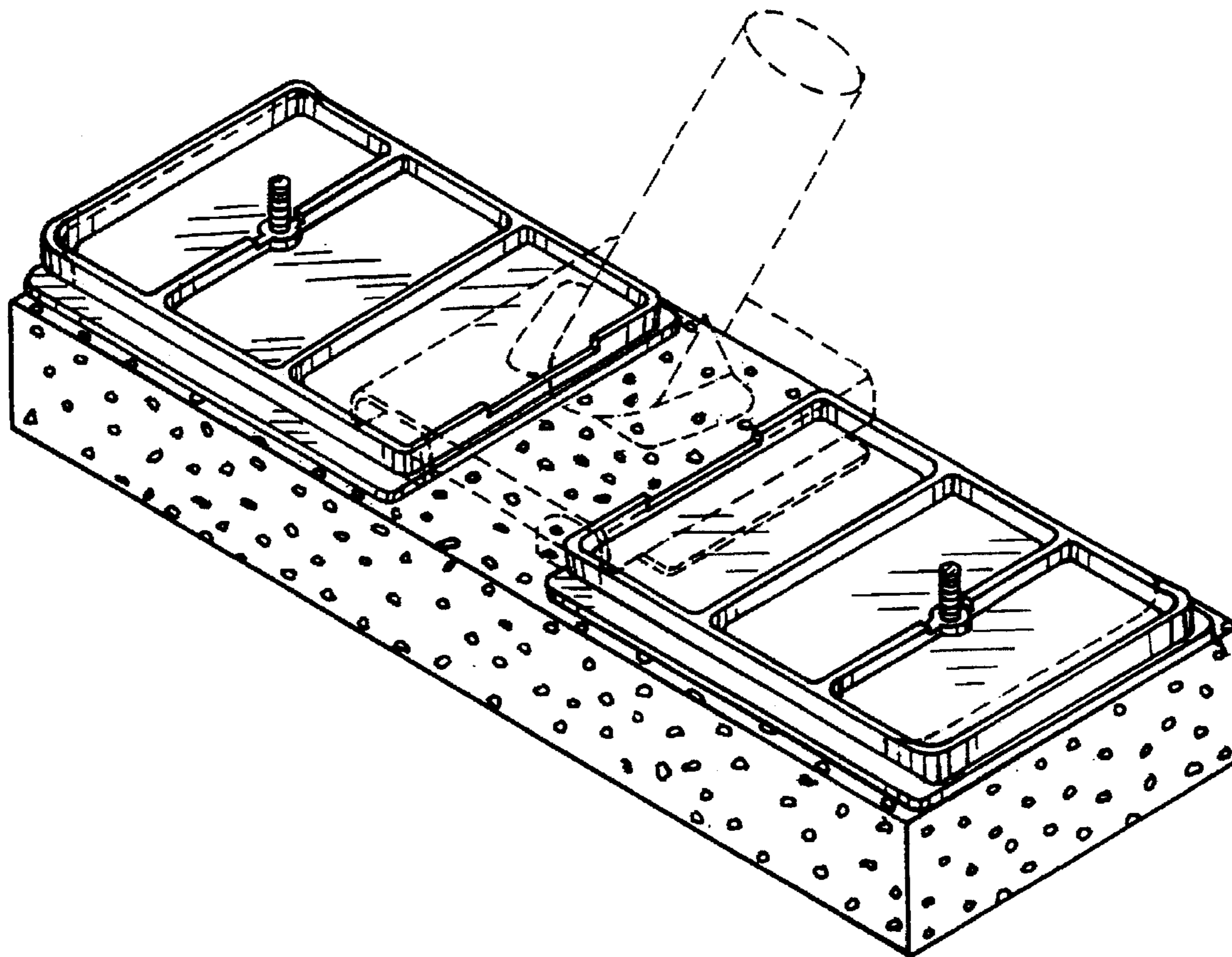


FIG. 1

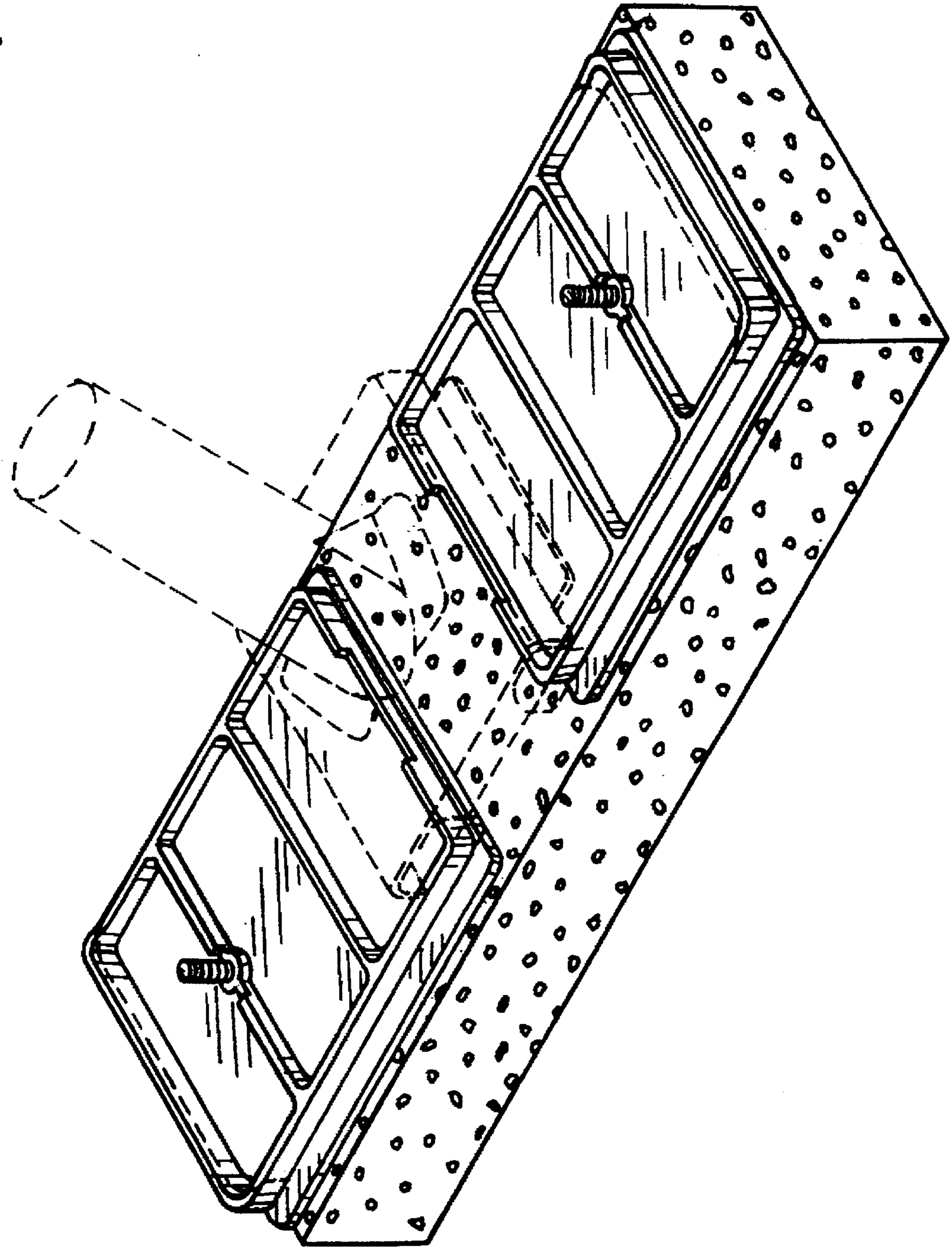


FIG. 2

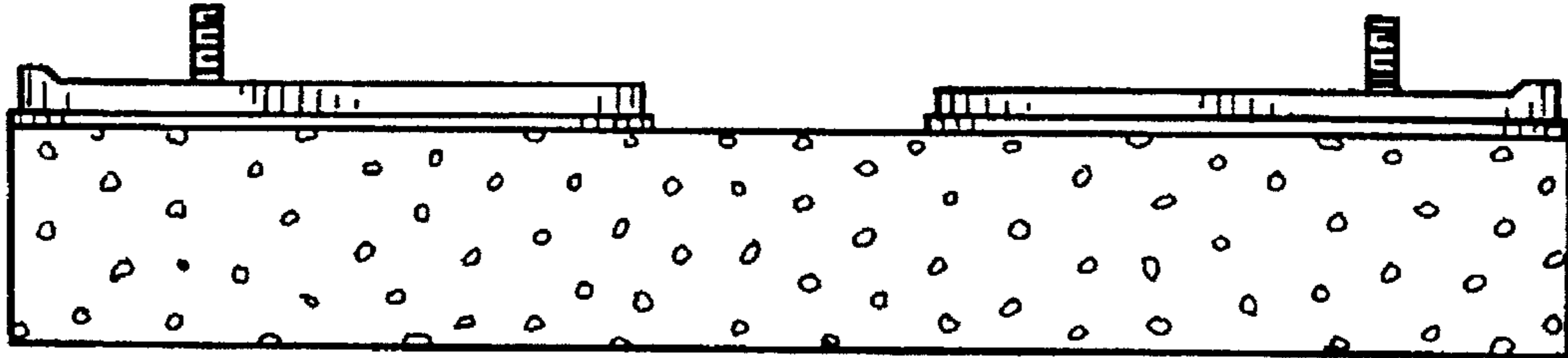


FIG. 3

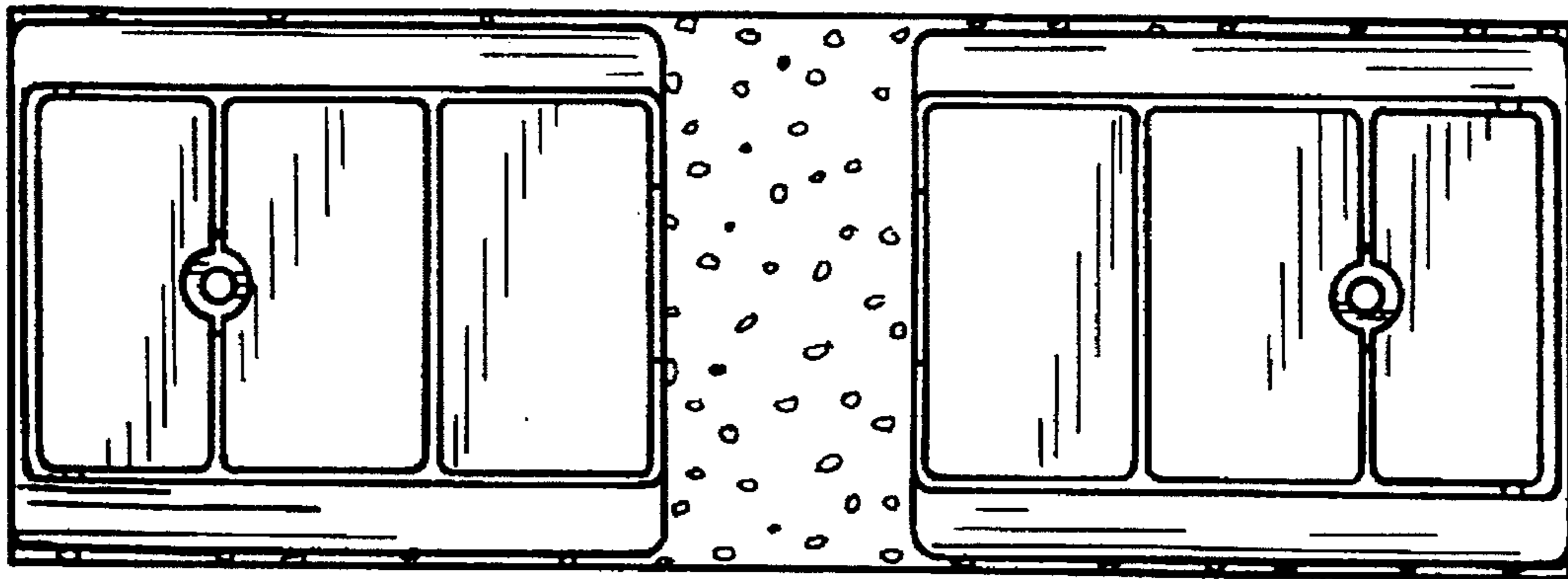
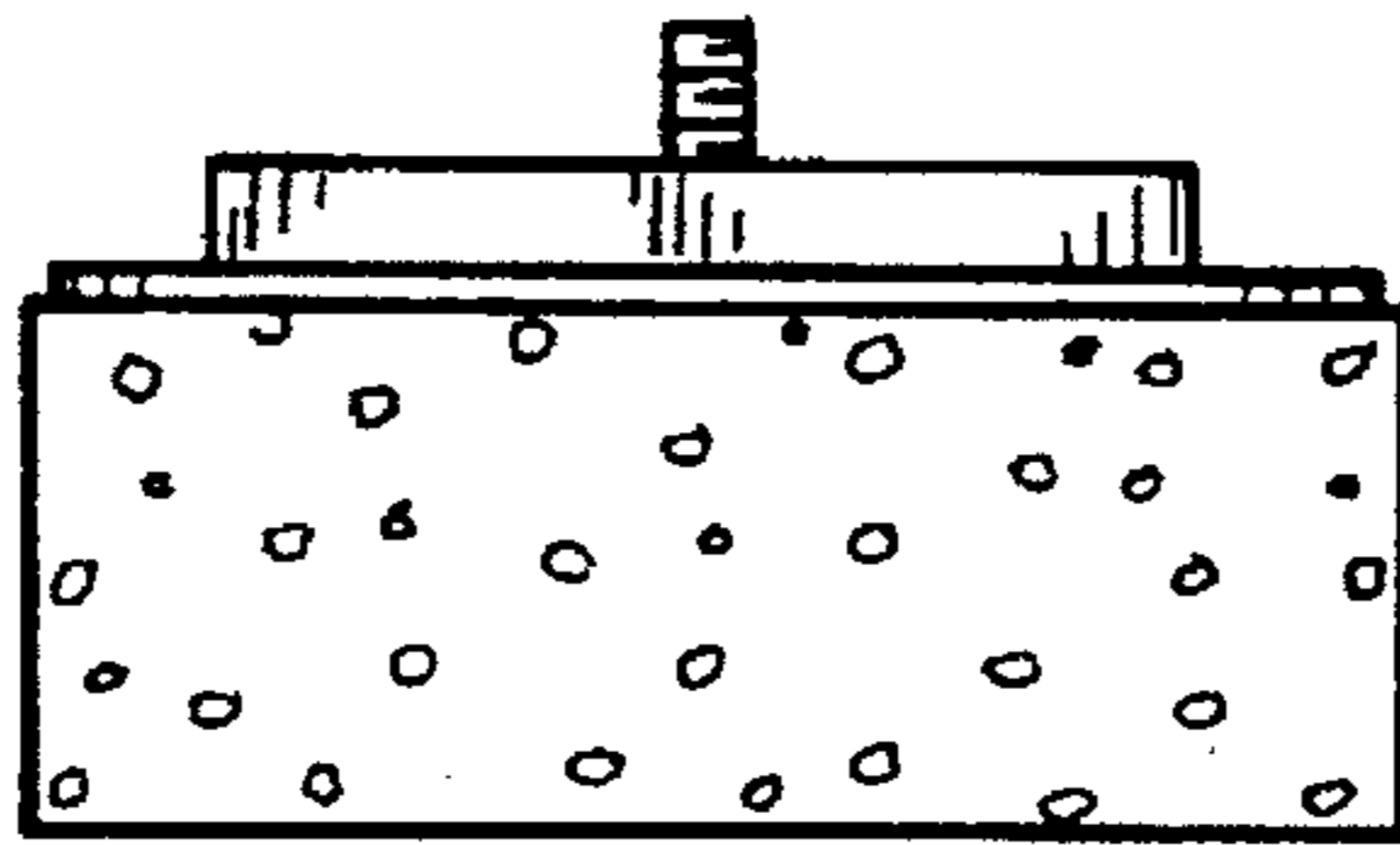


FIG. 4