



US00D381149S

# United States Patent [19]

Mayo

[11] Patent Number: **Des. 381,149**

[45] Date of Patent: **\*\*Jul. 15, 1997**

[54] ICE SCRAPER

[76] Inventor: **Henry Casabilanca Mayo**, 2634 N. Richmond St., Arlington, Va. 22207

[\*\*] Term: **14 Years**

[21] Appl. No.: **39,733**

[22] Filed: **Jun. 5, 1995**

[51] LOC (6) Cl. .... **07-05**

[52] U.S. Cl. .... **D32/49**

[58] Field of Search ..... D32/40, 42, 43, D32/46, 49; 15/236.01, 236.02, 236.04, 236.05, 236.06, 236.07, 236.08, 236.09; 30/169; D8/14

[56] **References Cited**

**U.S. PATENT DOCUMENTS**

- D. 122,685 9/1940 Jones ..... D32/49
- D. 154,526 7/1949 Woofter .
- D. 156,825 1/1950 Hake ..... D32/49
- D. 166,588 4/1952 Brody et al. .
- D. 187,462 3/1960 Elliott et al. .... D32/49
- D. 188,096 7/1960 Jorgensen ..... D32/49
- D. 219,303 11/1970 Golden ..... D32/49
- D. 271,626 11/1983 Bauer ..... D32/42
- D. 279,415 6/1985 Osrow et al. .... D32/49

- D. 291,839 9/1987 Phillips ..... D32/49
- D. 292,532 10/1987 Strongwater ..... D32/49
- D. 303,478 9/1989 Wert ..... D32/46 X
- D. 327,146 6/1992 Miller ..... D32/42
- D. 345,640 3/1994 Galati ..... D32/49
- 3,229,316 1/1966 Matheson .

*Primary Examiner*—Susan J. Lucas  
*Assistant Examiner*—Cynthia Ramirez

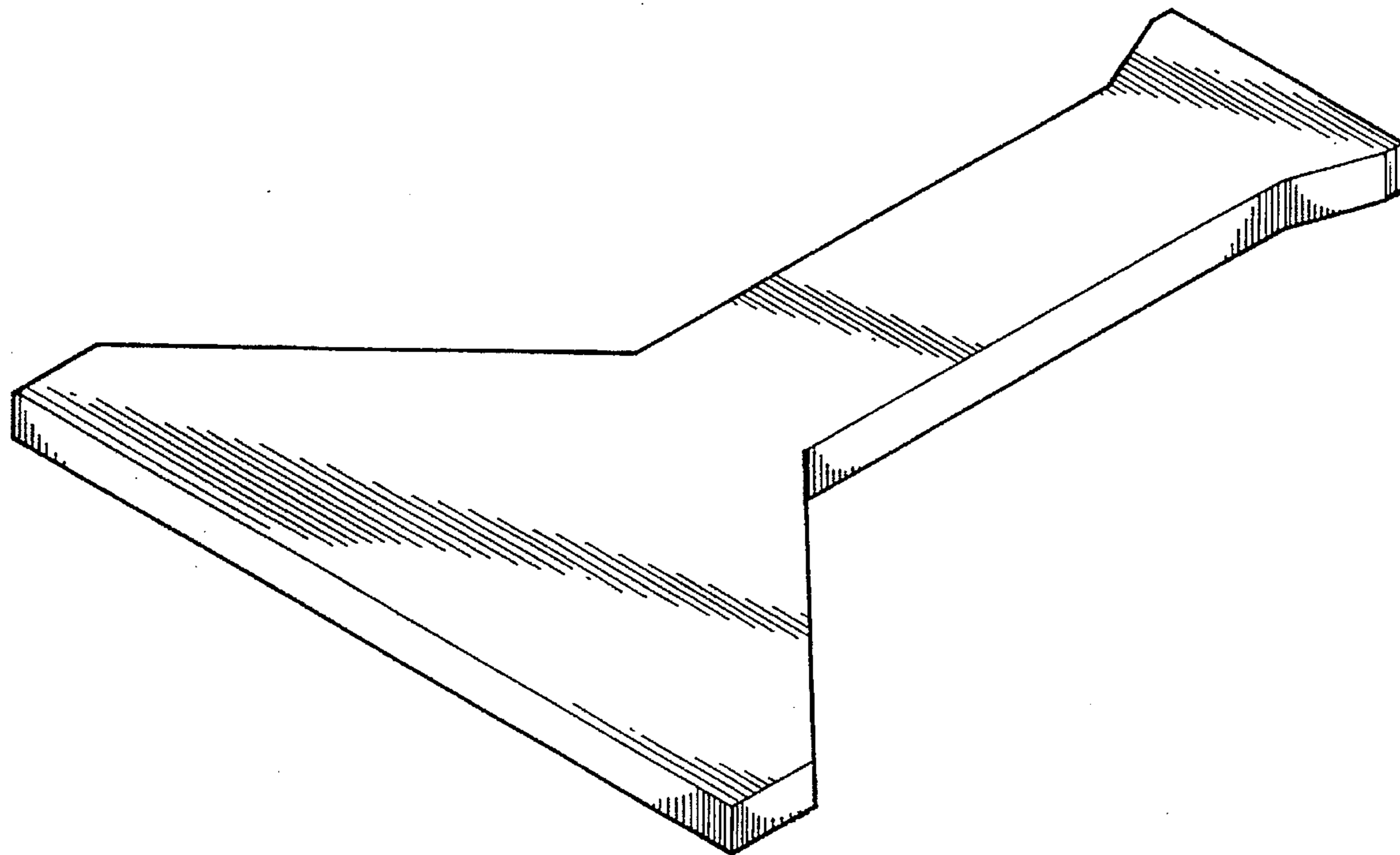
[57] **CLAIM**

The ornamental design for an ice scraper, as shown and described.

**DESCRIPTION**

FIG. 1 is a perspective view of an ice scraper showing my new design;  
 FIG. 2 is a top plan view thereof, the bottom being a mirror image;  
 FIG. 3 is a top plan view of a second embodiment of my design, the bottom being a mirror image;  
 FIG. 4 is a side elevational view of a third embodiment of my design, the third embodiment differing from the second embodiment only by the inclined scraping end; and,  
 FIG. 5 is a top plan view of a fourth embodiment, the bottom being a mirror image.

**1 Claim, 5 Drawing Sheets**



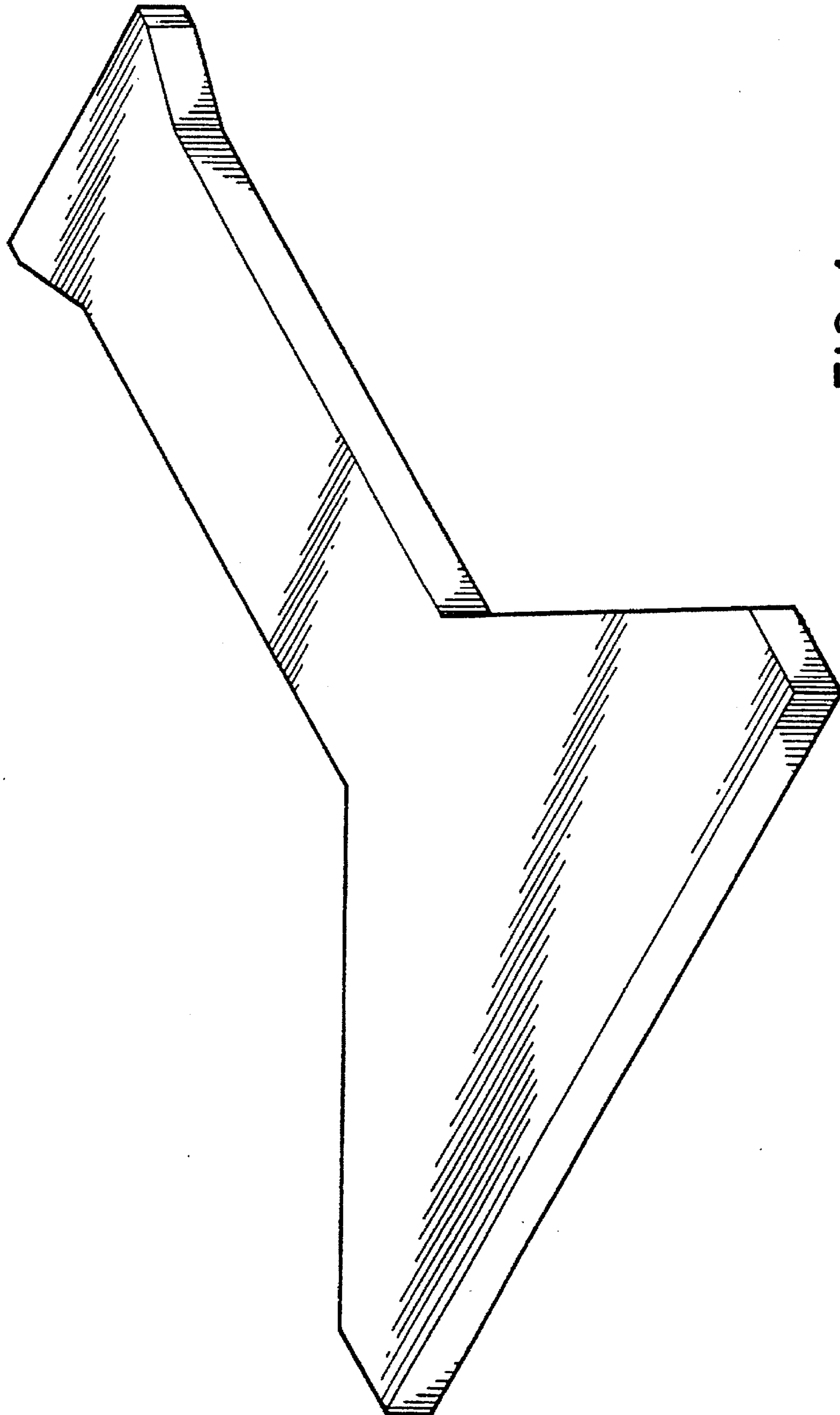


FIG. 1

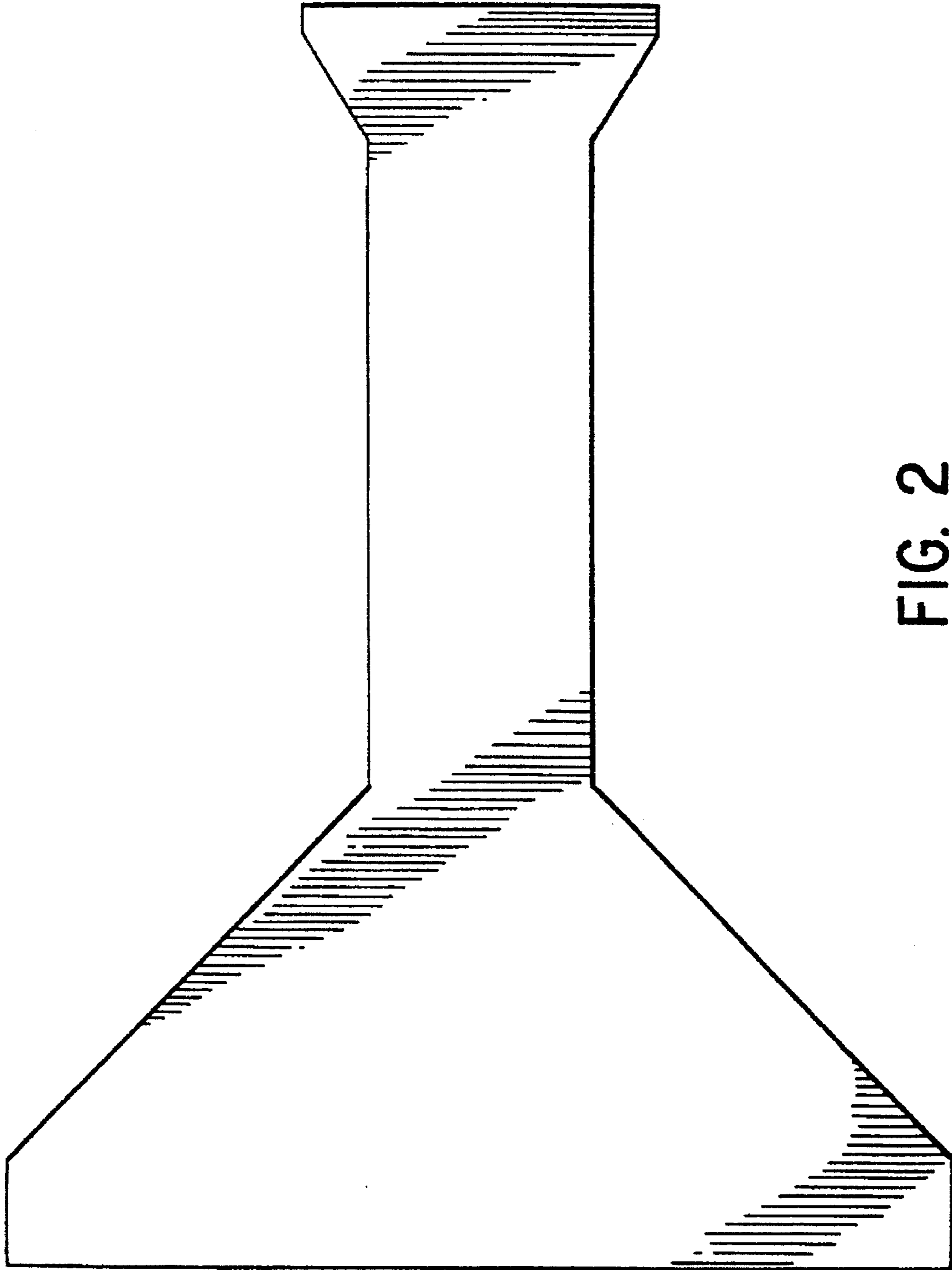


FIG. 2

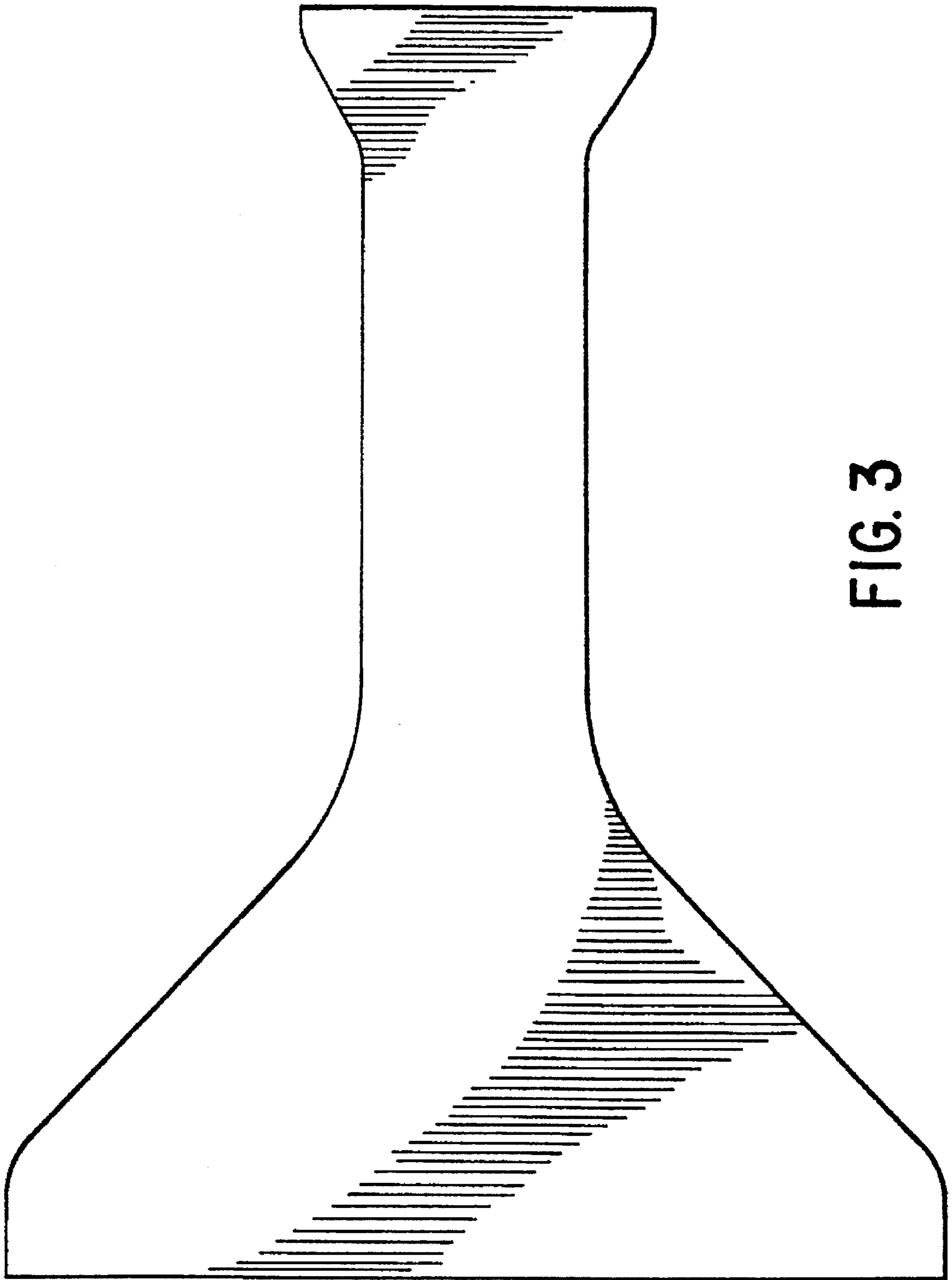


FIG. 3



FIG. 4

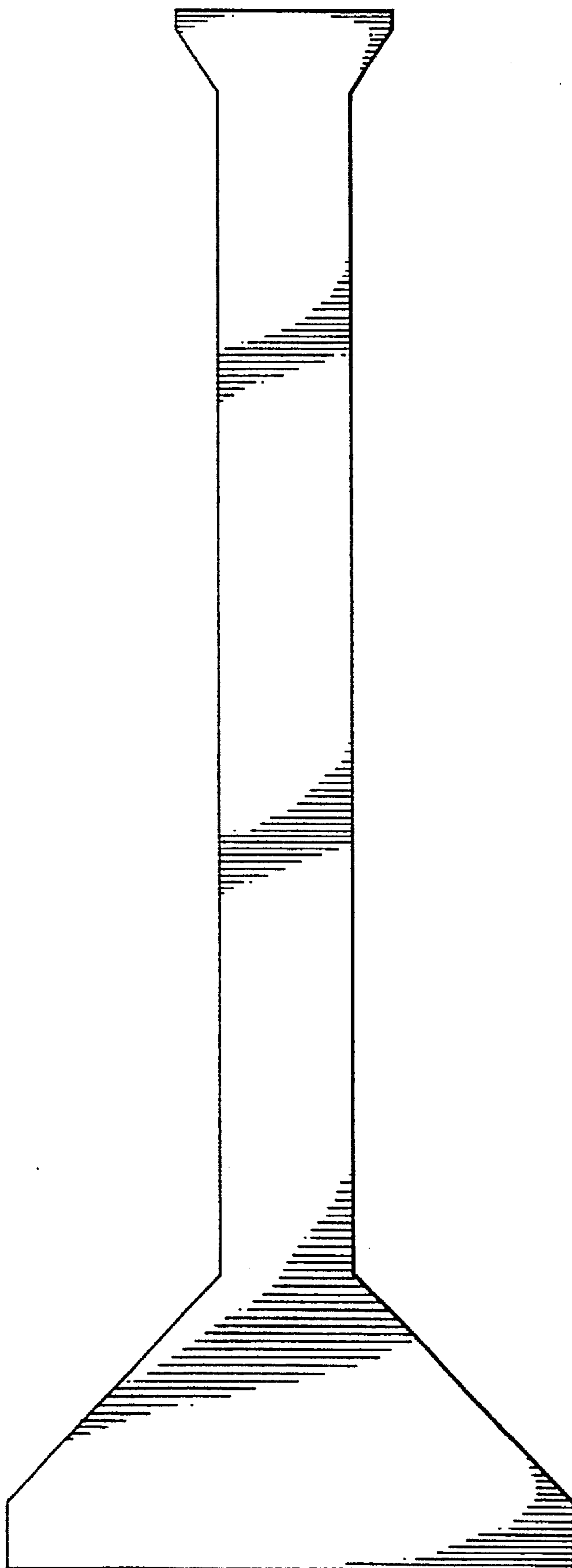


FIG. 5