



US00D381147S

# United States Patent [19]

[11] Patent Number: **Des. 381,147**

Tash

[45] Date of Patent: **\*\*Jul. 15, 1997**

[54] **TOILET PLUNGER**

D. 202,979 11/1965 Krusche ..... D32/35  
4,745,641 5/1988 Tash ..... 4/255.01

[76] Inventor: **George Tash**, 5777 Balcolm Canyon,  
Somis, Calif. 93021

*Primary Examiner*—Susan J. Lucas  
*Assistant Examiner*—Cynthia E. Ramirez  
*Attorney, Agent, or Firm*—John J. Posta, Jr.

[\*\*] Term: **14 Years**

[21] Appl. No.: **53,641**

[57] **CLAIM**

[22] Filed: **Apr. 26, 1996**

The ornamental design for a toilet plunger, as shown and described.

[51] LOC (6) Cl. .... **08-99**

**DESCRIPTION**

[52] U.S. Cl. .... **D32/35**

[58] Field of Search ..... D32/35; 15/406;  
4/255.01, 255.05, 255.06–255.12; D8/14

FIG. 1 is a front view of a toilet plunger showing my new design;

[56] **References Cited**

FIG. 2 is a perspective view of a toilet plunger;

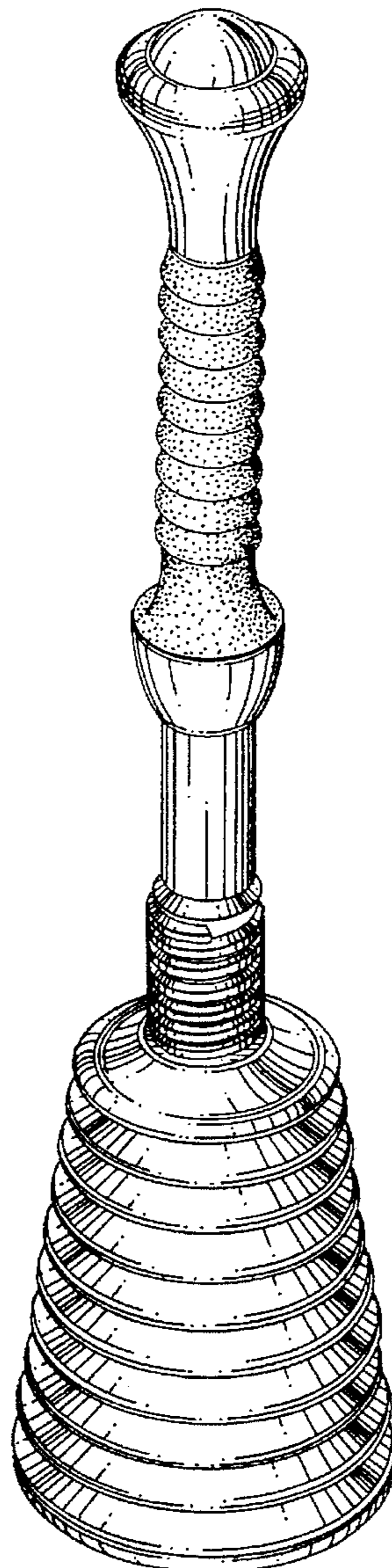
FIG. 3 is a top view of a toilet plunger; and,

FIG. 4 is a bottom view of a toilet plunger.

**U.S. PATENT DOCUMENTS**

D. 46,996 2/1915 Howell ..... D32/35  
D. 155,489 10/1949 Mesquita ..... D32/35

**1 Claim, 1 Drawing Sheet**



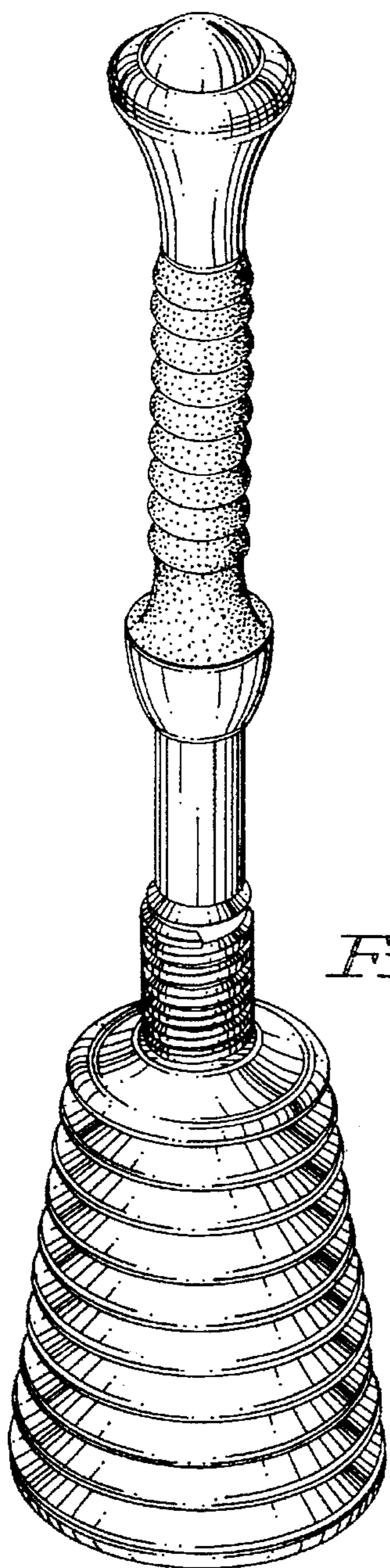


FIG. 2

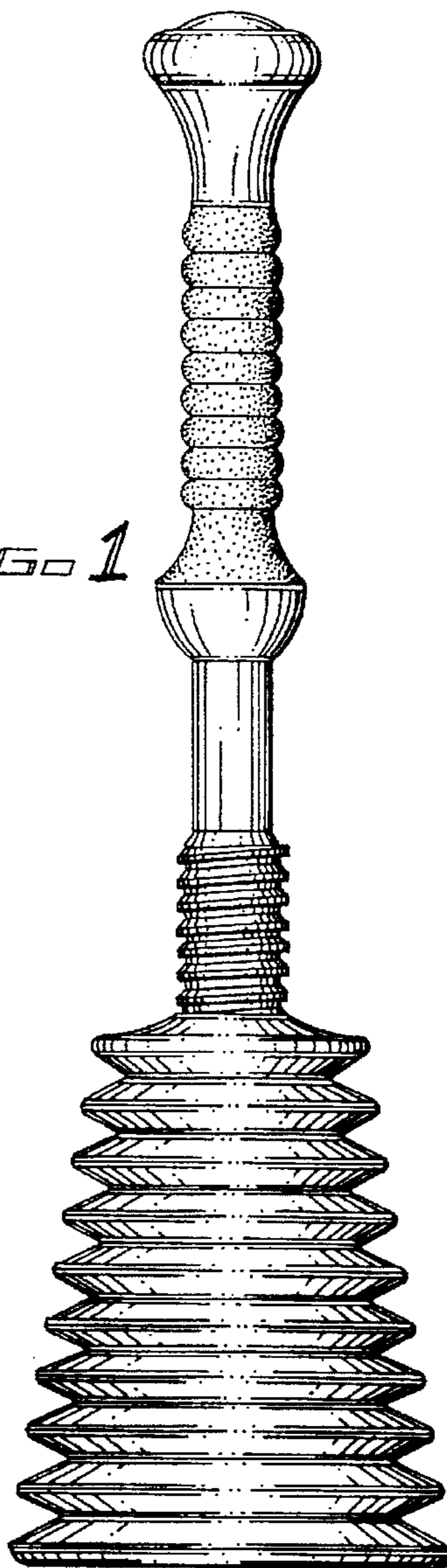


FIG. 1

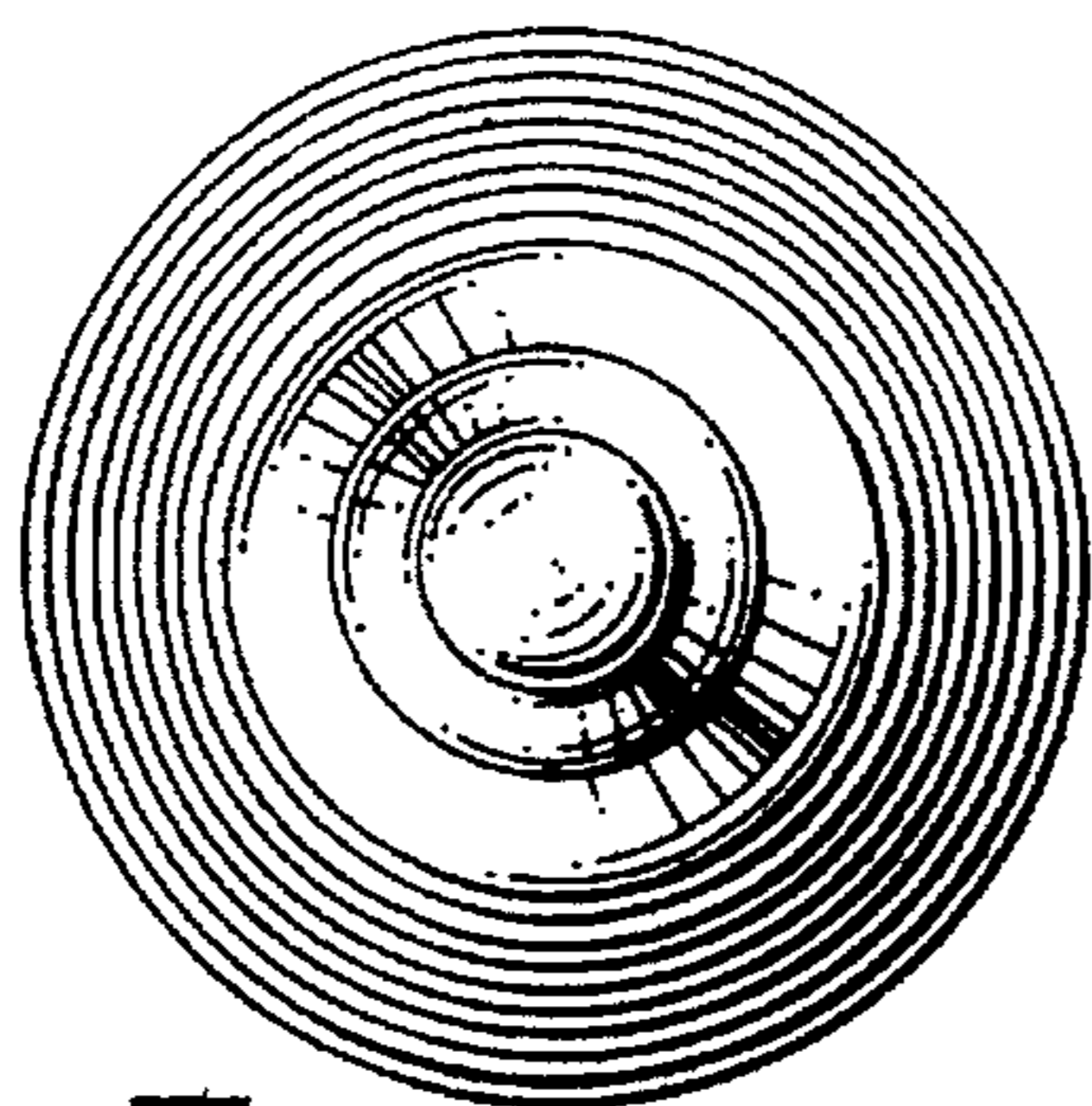


FIG. 3

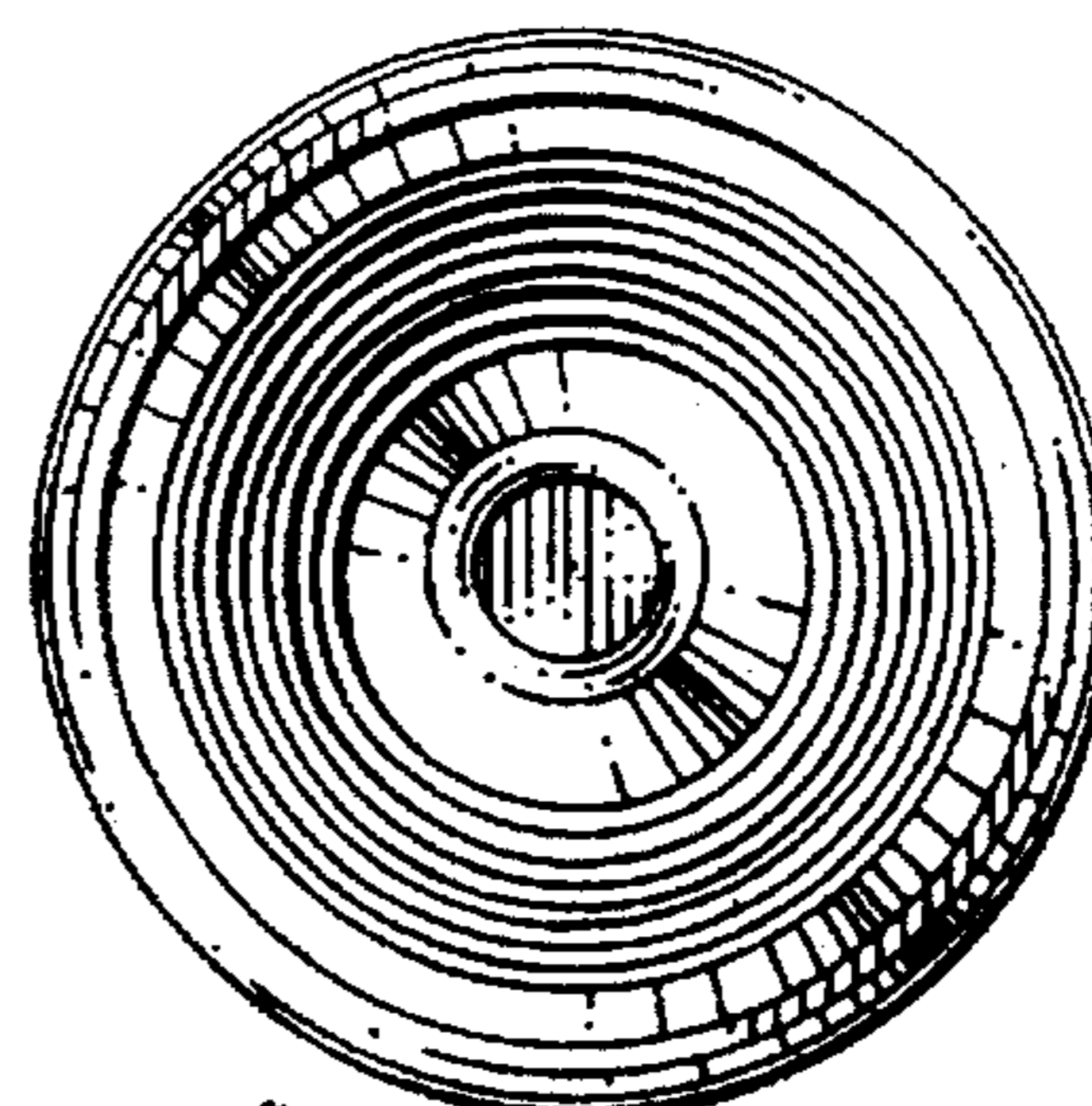


FIG. 4