



US00D381146S

United States Patent [19]
Tash

[11] **Patent Number:** **Des. 381,146**

[45] **Date of Patent:** ****Jul. 15, 1997**

[54] **TOILET PLUNGER**

D. 155,489 10/1949 Mesquita D32/35
D. 202,979 11/1965 Krusche D32/35
4,745,641 5/1988 Tash 4/255.11

[76] **Inventor:** **George Tash, 5777 Balcolm Canyon,
Somis, Calif. 93021**

[**] **Term:** **14 Years**

Primary Examiner—Susan J. Lucas
Assistant Examiner—Cynthia E. Ramirez
Attorney, Agent, or Firm—John J. Posta, Jr.

[21] **Appl. No.:** **53,541**

[57] **CLAIM**

[22] **Filed:** **Apr. 24, 1996**

The ornamental design for a toilet plunger, as shown and described.

[51] **LOC (6) Cl.** **08-99**

[52] **U.S. Cl.** **D32/35**

[58] **Field of Search** D32/35; 15/406;
4/255.05, 255.06, 255.07, 255.08, 255.09,
255.1, 255.11, 255.12; D8/14

DESCRIPTION

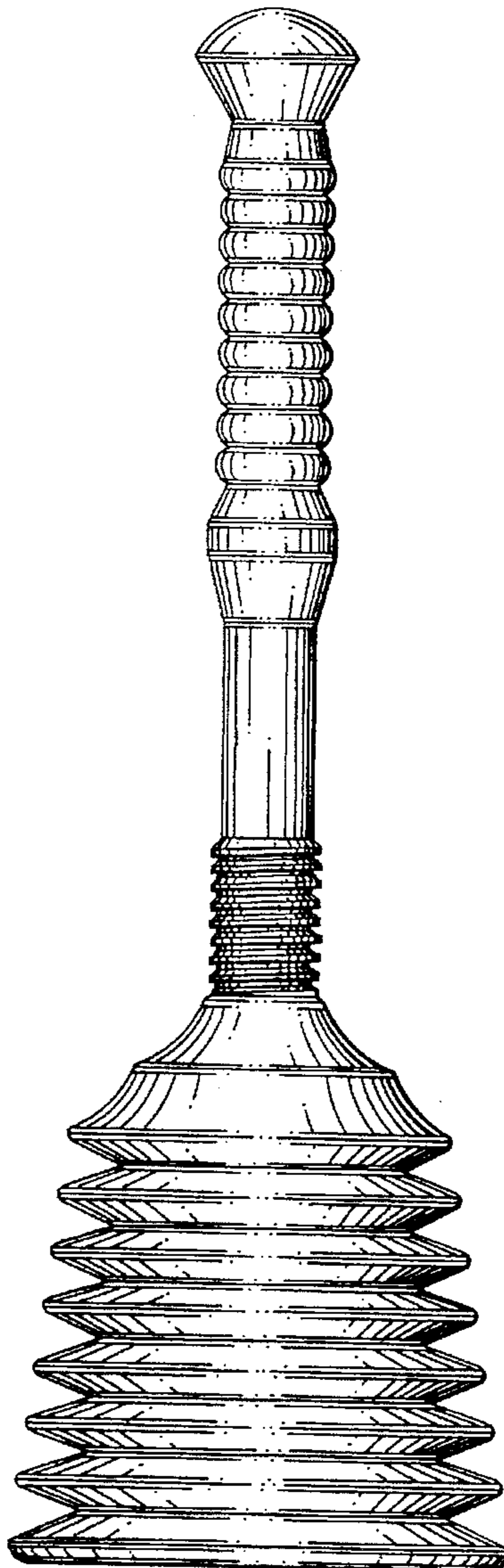
FIG. 1 is a perspective view of a toilet plunger;
FIG. 2 is a front view of a toilet plunger;
FIG. 3 is a top view of a toilet plunger; and,
FIG. 4 is a bottom view of a toilet plunger.

[56] **References Cited**

U.S. PATENT DOCUMENTS

D. 46,996 2/1915 Howell D32/35

1 Claim, 1 Drawing Sheet



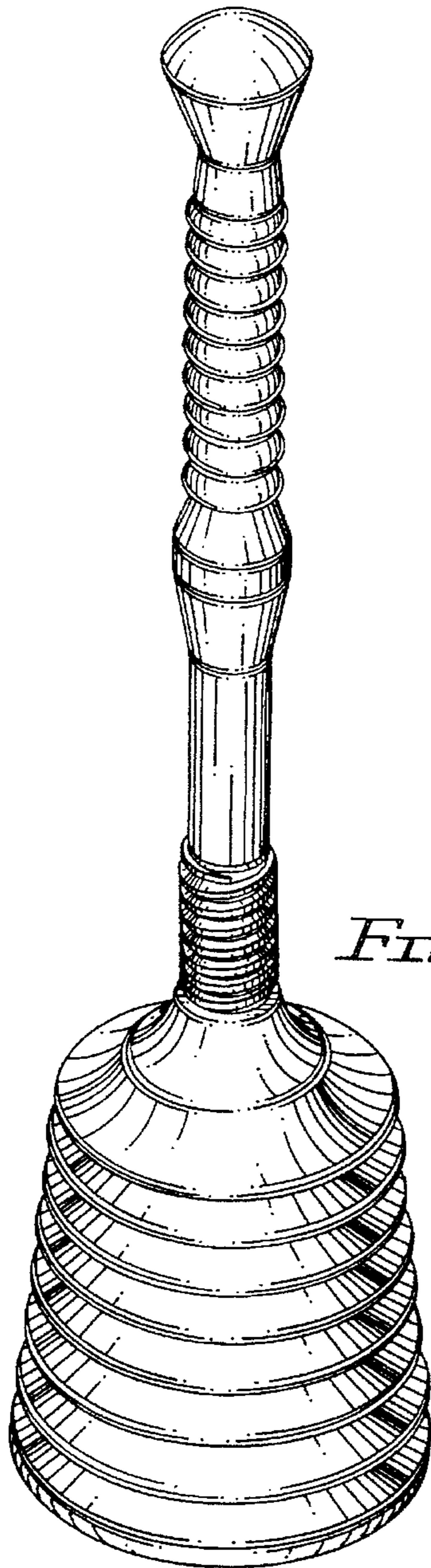


FIG. 2

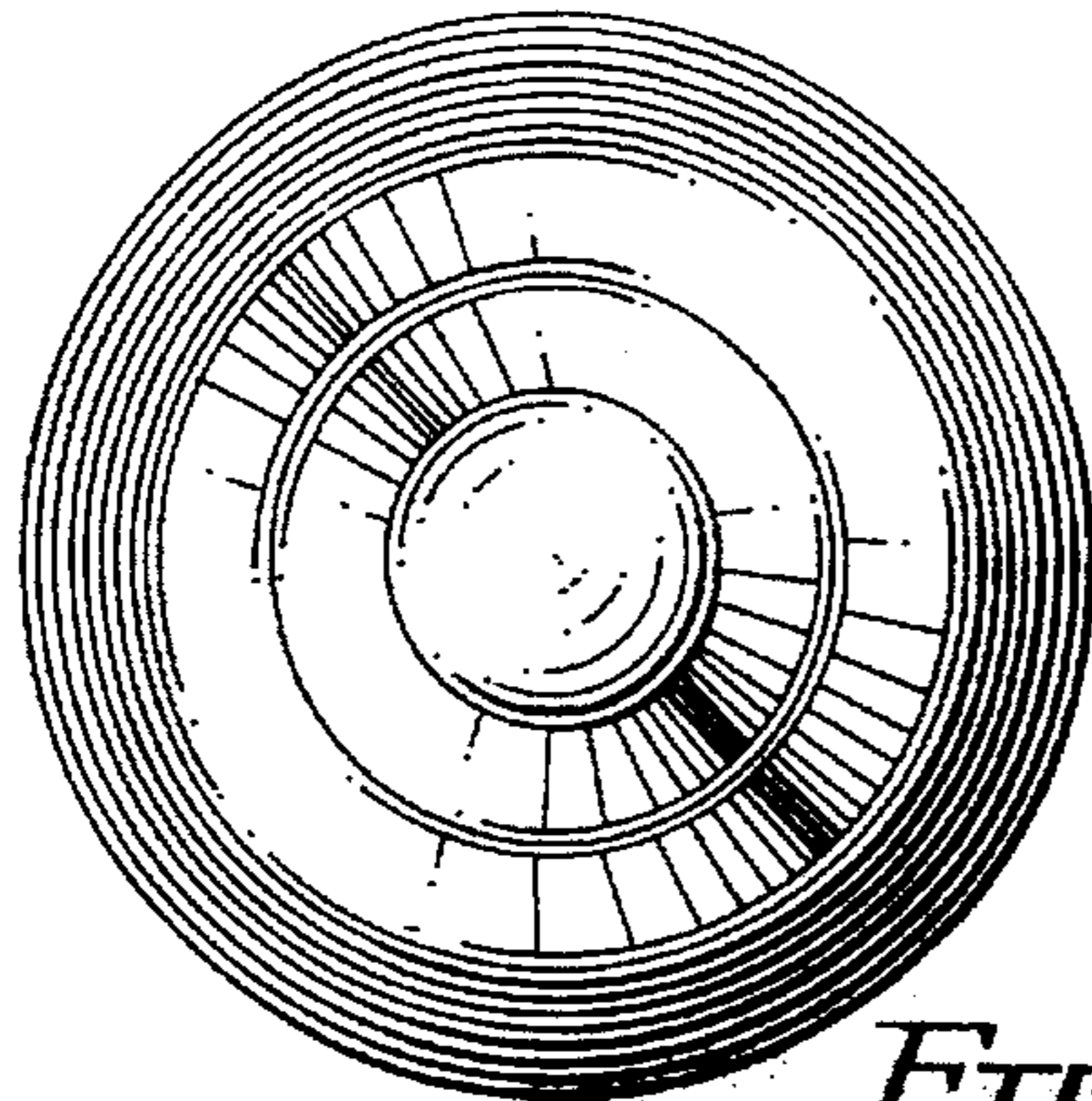
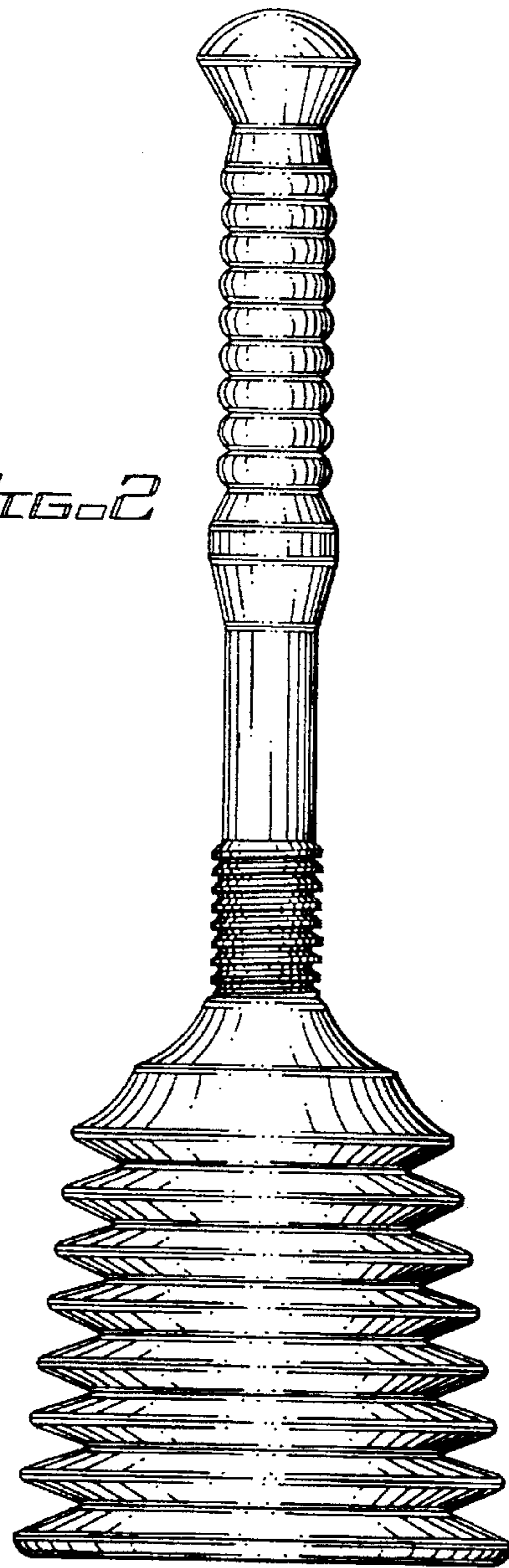


FIG. 3

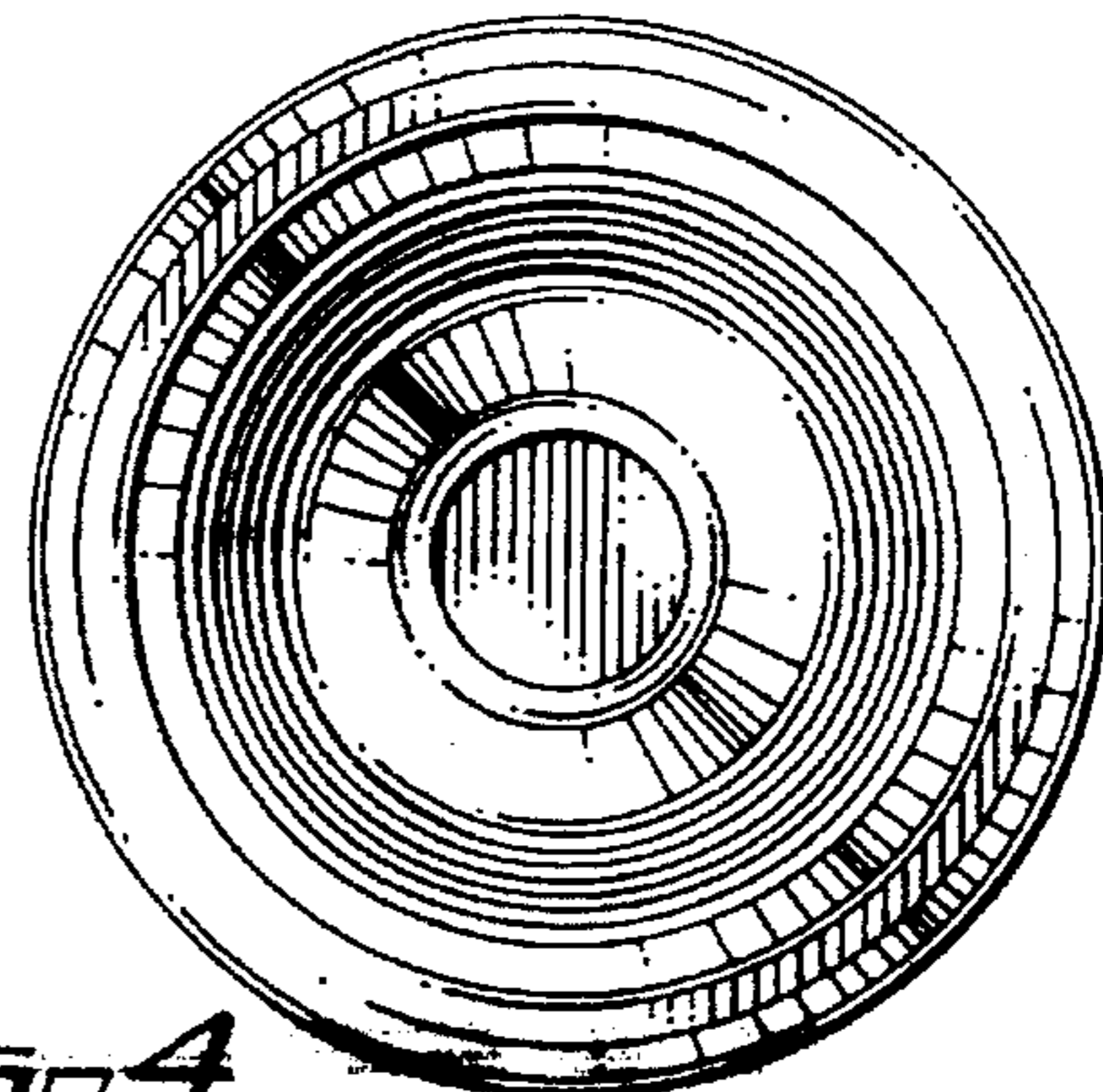


FIG. 4