



US00D381145S

**United States Patent** [19]  
**Jimison**

[11] **Patent Number: Des. 381,145**  
[45] **Date of Patent: \*\*Jul. 15, 1997**

[54] **FRUIT CLEANER**  
[76] **Inventor: James W. Jimison, 360 Fulton St., Palo Alto, Calif. 94301**  
[\*\*] **Term: 14 Years**  
[21] **Appl. No.: 37,145**  
[22] **Filed: Apr. 5, 1995**

2,968,825 1/1961 Wetherby .  
3,107,842 10/1963 Guilfoyle ..... 383/62  
3,189,253 6/1965 Mojonier ..... 383/62 X  
3,473,724 10/1969 Coverstone et al. .... 383/109  
4,944,051 7/1990 Porter .

*Primary Examiner*—Susan J. Lucas  
*Assistant Examiner*—Cynthia Ramirez  
*Attorney, Agent, or Firm*—Carol D. Titus; Leary, Titus & Aiello

**Related U.S. Application Data**

[63] **Continuation-in-part of Ser. No. 80,660, Jun. 18, 1993, abandoned.**  
[51] **LOC (6) Cl. .... 08-99**  
[52] **U.S. Cl. .... D32/35; D9/305**  
[58] **Field of Search .... 15/3.1, 208, 209.1, 15/210.1, 229.4; D32/35; 383/62, 109, 111, 91, 112; 280/654, 47.27**

[57] **CLAIM**

The ornamental design for a fruit cleaner, as shown and described.

**DESCRIPTION**

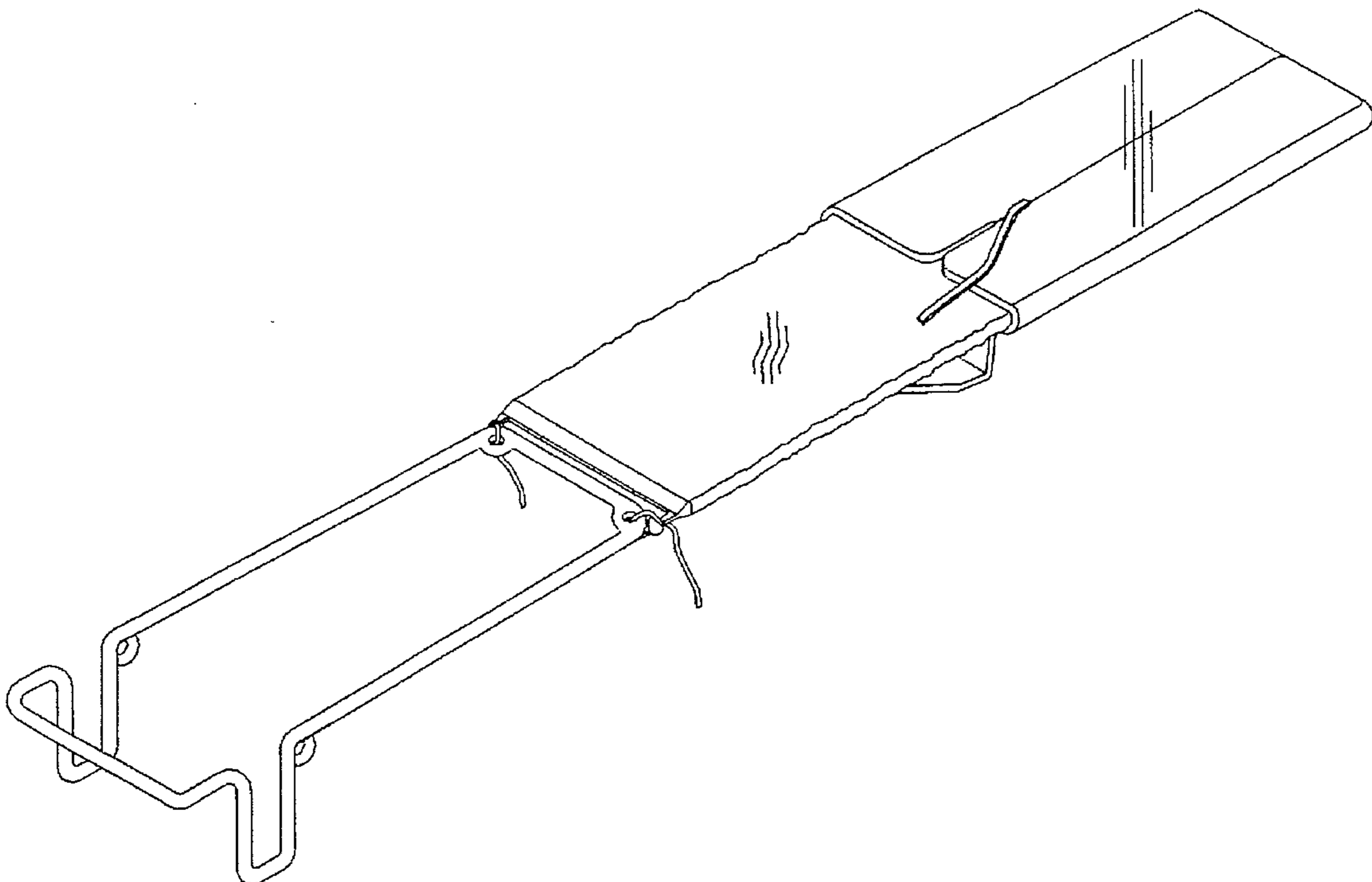
FIG. 1 is a top perspective view of a fruit cleaner showing my new design on an open position;  
FIG. 2 is a bottom perspective view thereof;  
FIG. 3 is a top perspective view thereof on an alternate position;  
FIG. 4 is a bottom perspective view thereof; and,  
FIG. 5 shows a top perspective view of the fruit cleaner, the bag shown as transparent to allow the fruit within the fruit cleaner to be seen.  
The fruit in FIG. 5 is shown in broken lines for illustrative purposes only and form no part of the claimed design.

[56] **References Cited**

**U.S. PATENT DOCUMENTS**

319,524 6/1885 Steel ..... 280/47.27  
850,764 4/1907 Laycock ..... 15/210.01 X  
2,209,275 7/1940 Lawrence ..... 15/210.1  
2,372,556 3/1945 David ..... 15/210.1 X  
2,530,746 11/1950 Wetherby ..... 15/104.94  
2,575,149 11/1951 Watson .

**1 Claim, 2 Drawing Sheets**



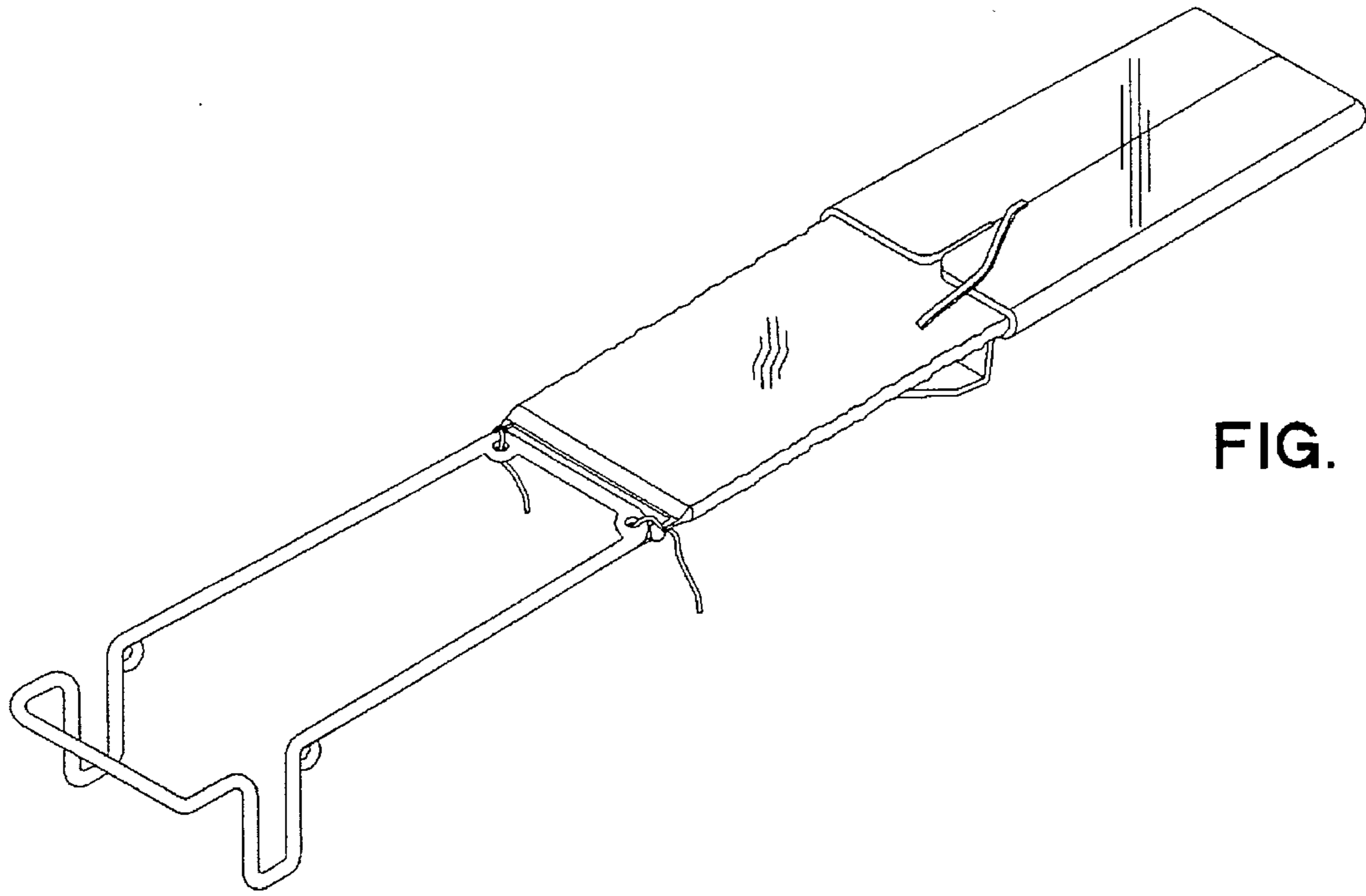


FIG. 1

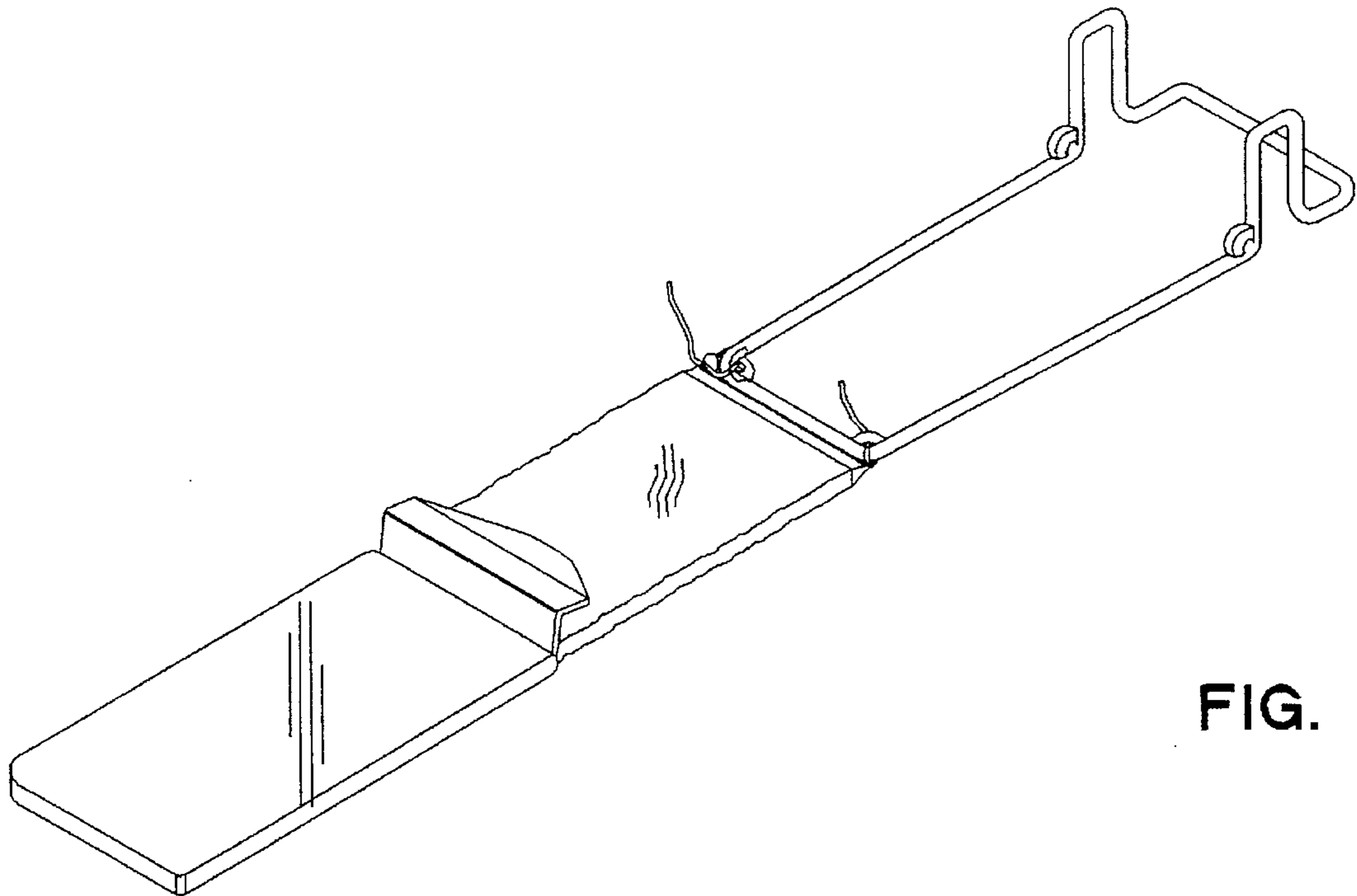


FIG. 2

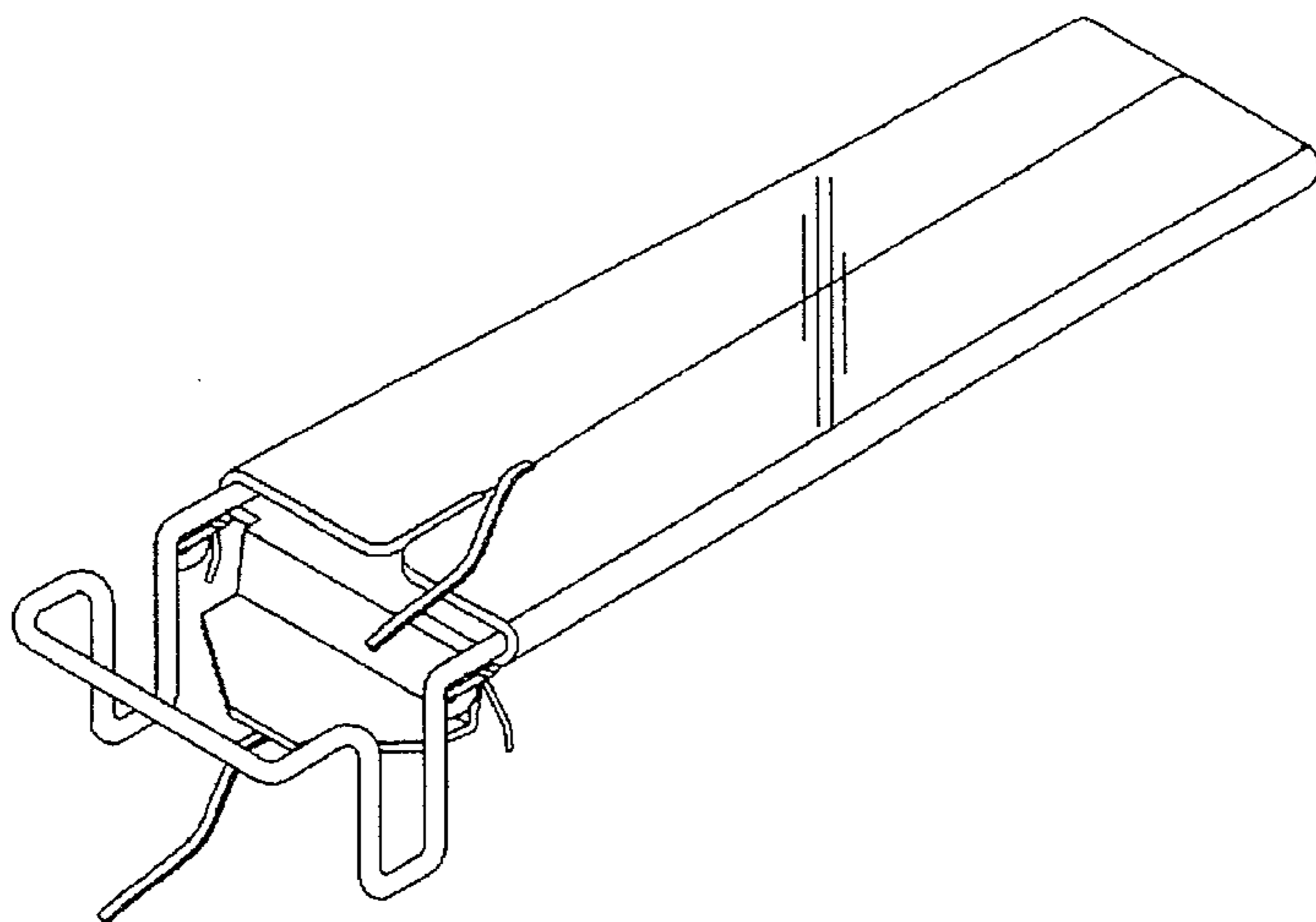


FIG. 3

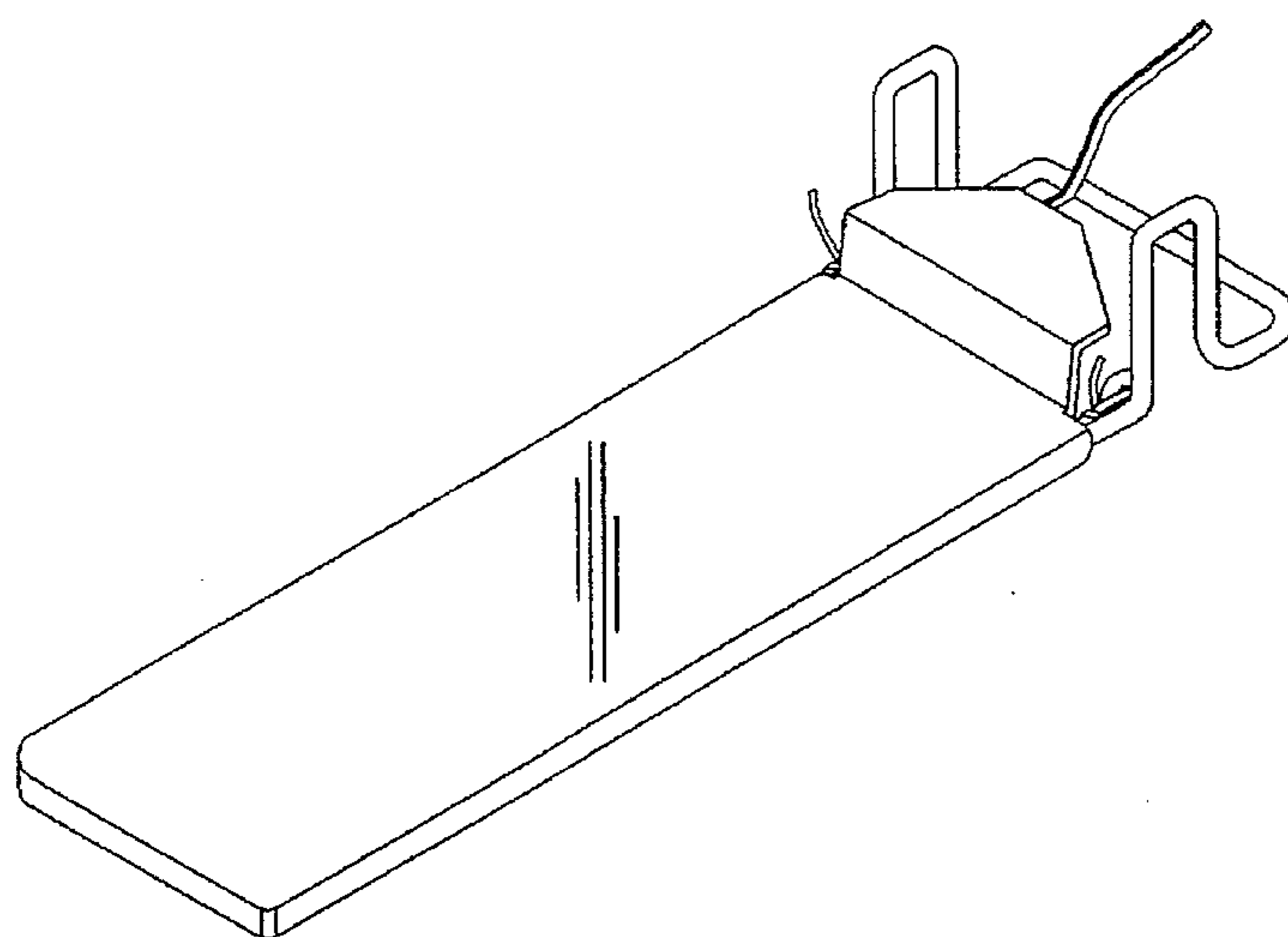


FIG. 4

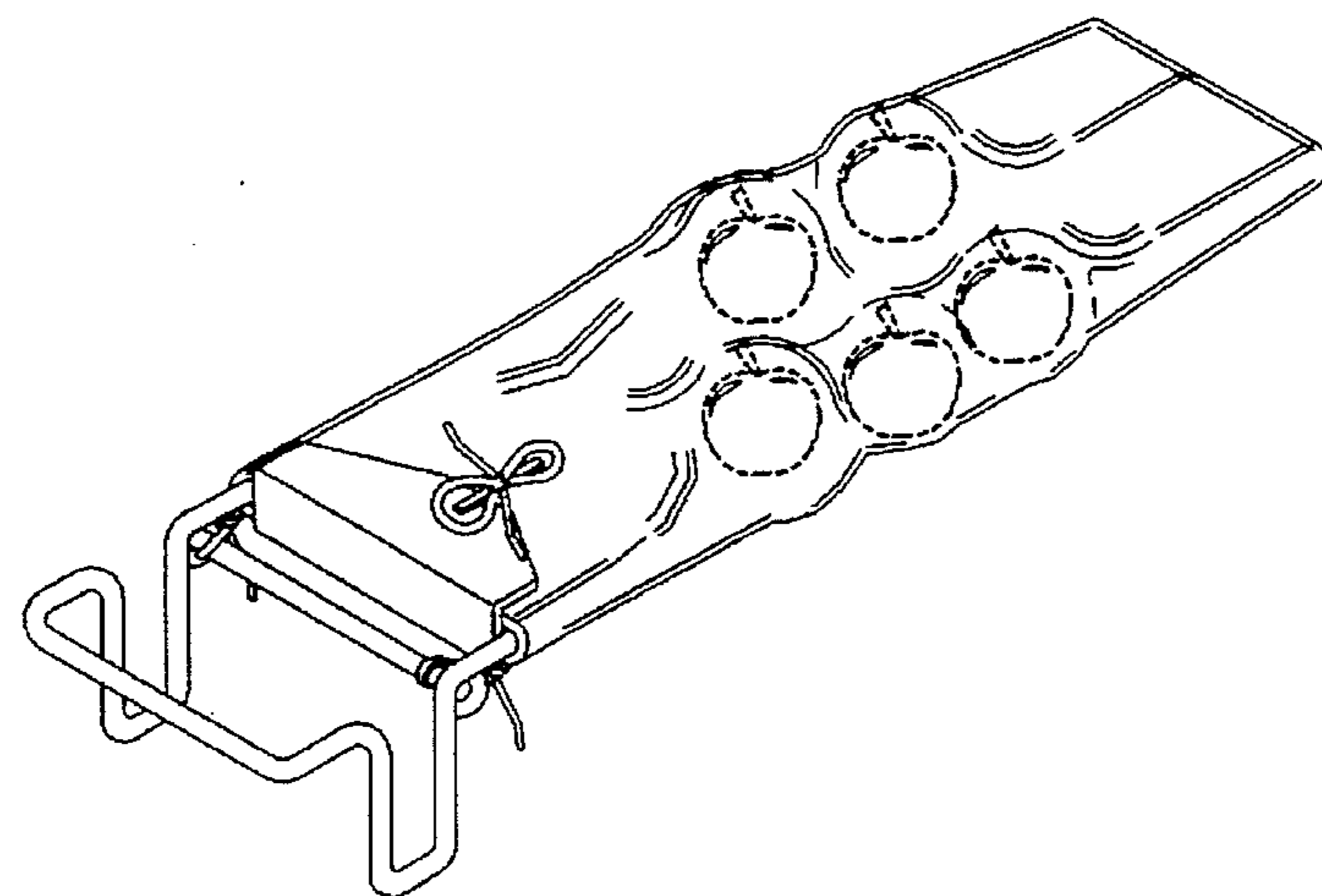


FIG. 5