



US00D381144S

United States Patent [19]

[11] Patent Number: **Des. 381,144**

Moine et al.

[45] Date of Patent: ****Jul. 15, 1997**

[54] **VACUUM CLEANER NOZZLE**

D. 204,868	5/1966	Bowers, Jr. et al.	D32/33
D. 216,155	11/1969	Domstedt et al.	D32/33
D. 295,092	4/1988	Mizuno et al.	D32/32

[75] Inventors: **David W. Moine**, North Canton;
Richard R. Tucker, Canton, both of Ohio

OTHER PUBLICATIONS

Washington Post, Feb. 3, 1983. Woodward & Lothrop ad; p. A7. "Powerful Eureka mighty mite vacuum cleaner".

[73] Assignee: **The Hoover Company**, North Canton, Ohio

Primary Examiner—Ruth McInroy
Attorney, Agent, or Firm—A. Burgess Lowe; Richardson B. Farley

[**] Term: **14 Years**

[21] Appl. No.: **52,113**

[57] CLAIM

[22] Filed: **Mar. 25, 1996**

The ornamental design of a vacuum cleaner nozzle, as shown and described.

[51] LOC (6) Cl. **15-05**

DESCRIPTION

[52] U.S. Cl. **D32/32**

FIG. 1 is a front elevational view of a vacuum cleaner nozzle showing our new design;
FIG. 2 is a top plan view thereof;
FIG. 3 is a left side elevational view thereof;
FIG. 4 is a right side elevational view thereof;
FIG. 5 is a rear view thereof; and,
FIG. 6 is a bottom plan view thereof.

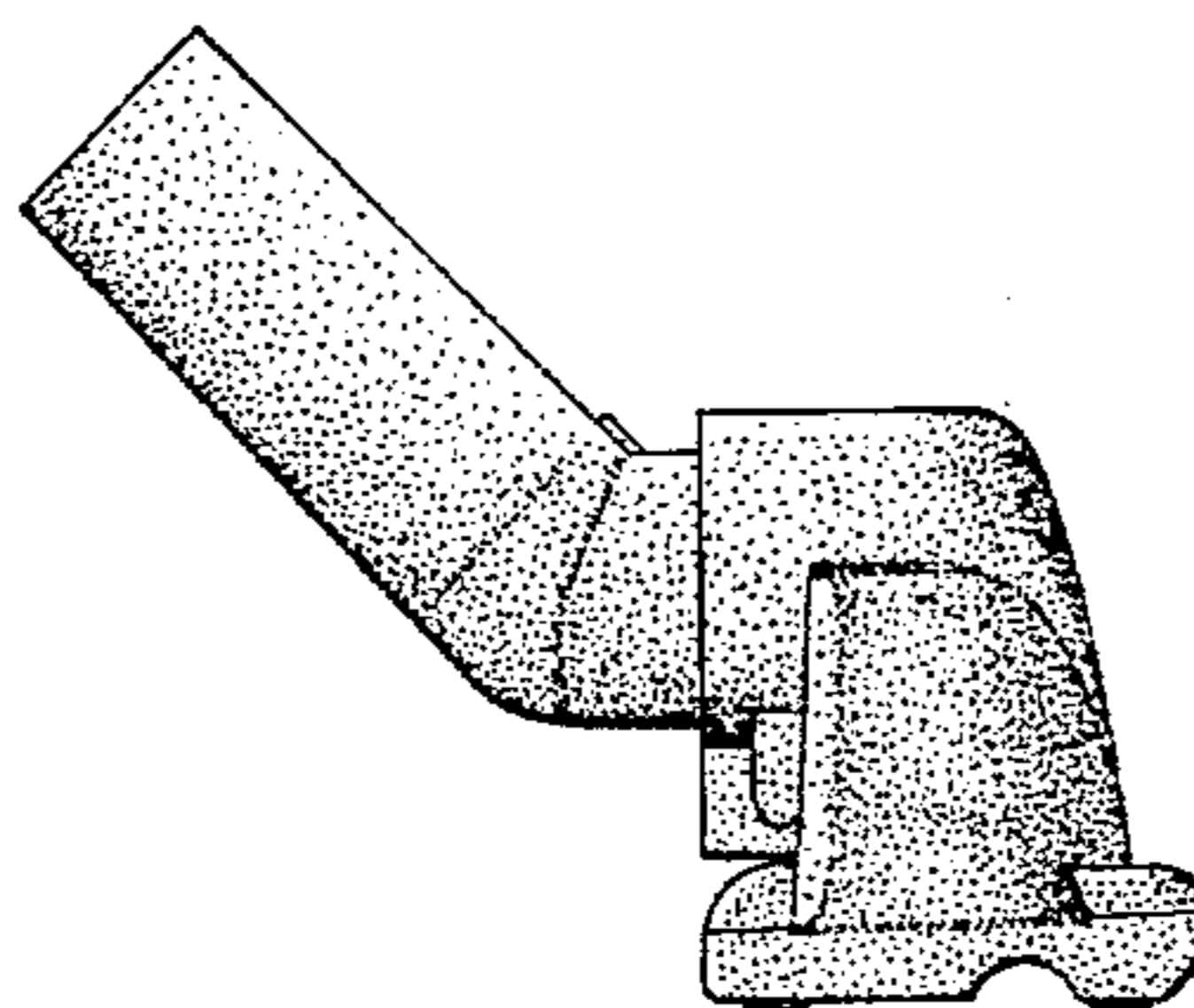
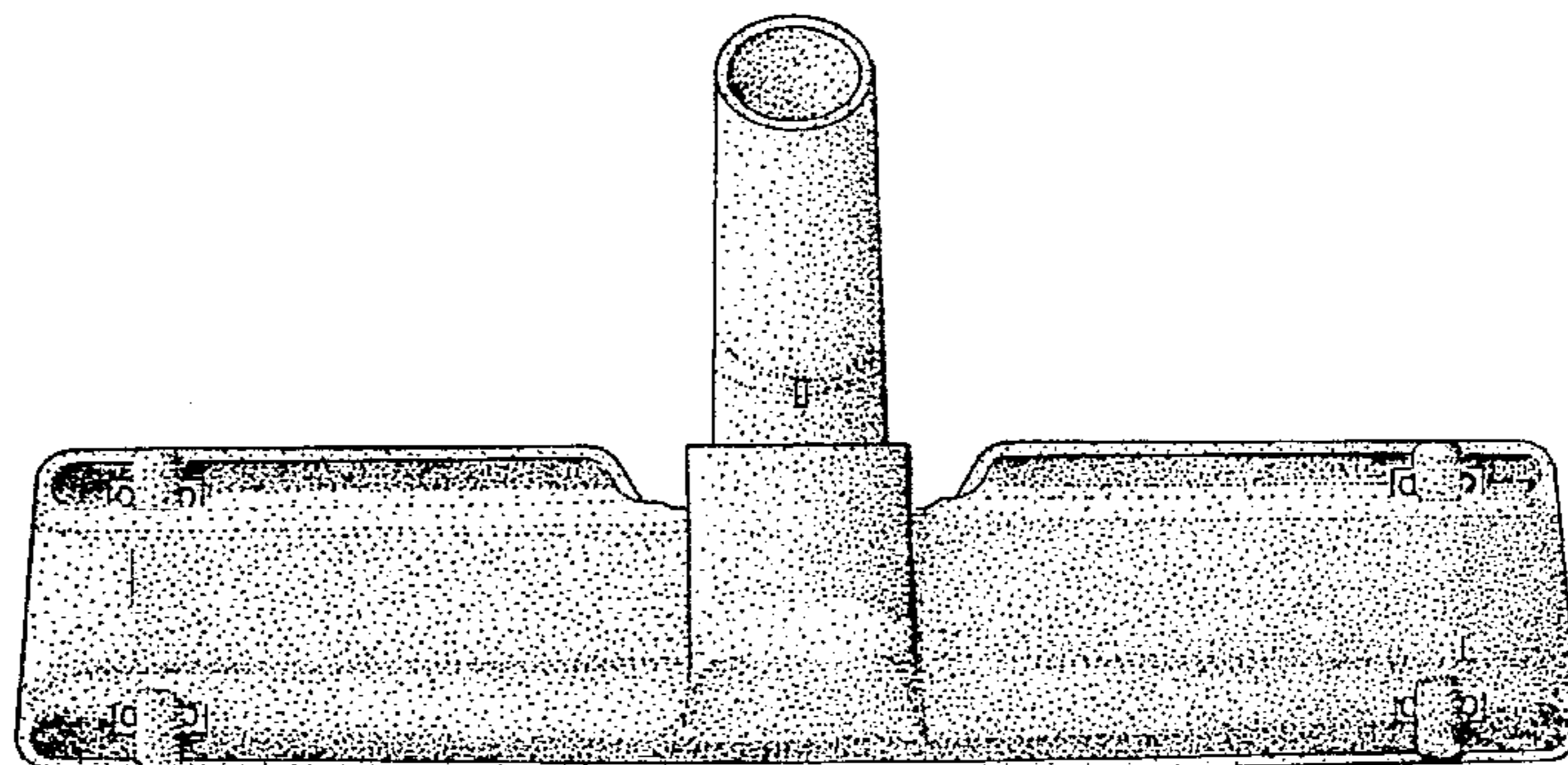
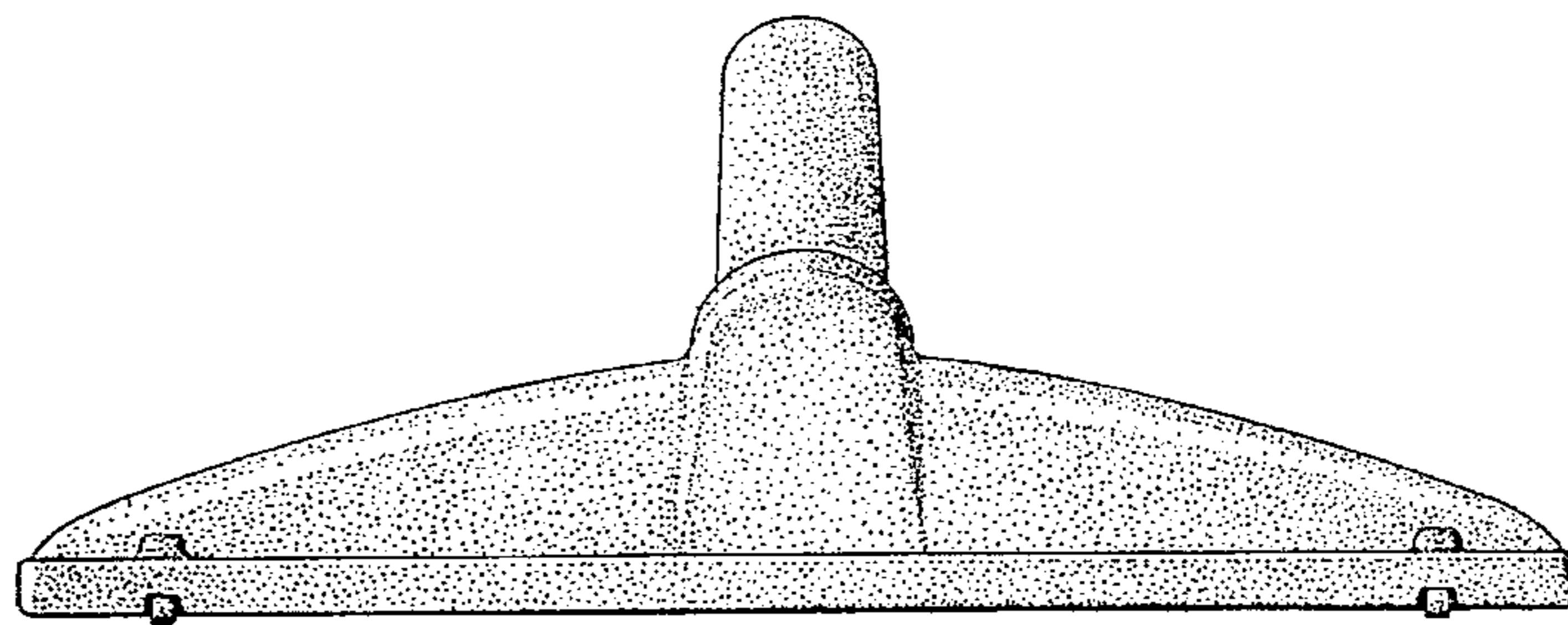
[58] Field of Search D32/21, 23, 33;
15/320, 321, 322, 415.1, 410, 416, 422,
327.1, 327.2

[56] References Cited

U.S. PATENT DOCUMENTS

D. 145,681	10/1946	Stevens	D32/32
D. 147,215	7/1947	Dreyfuss	D32/33
D. 161,681	1/1951	Dreyfuss	D32/33

1 Claim, 2 Drawing Sheets



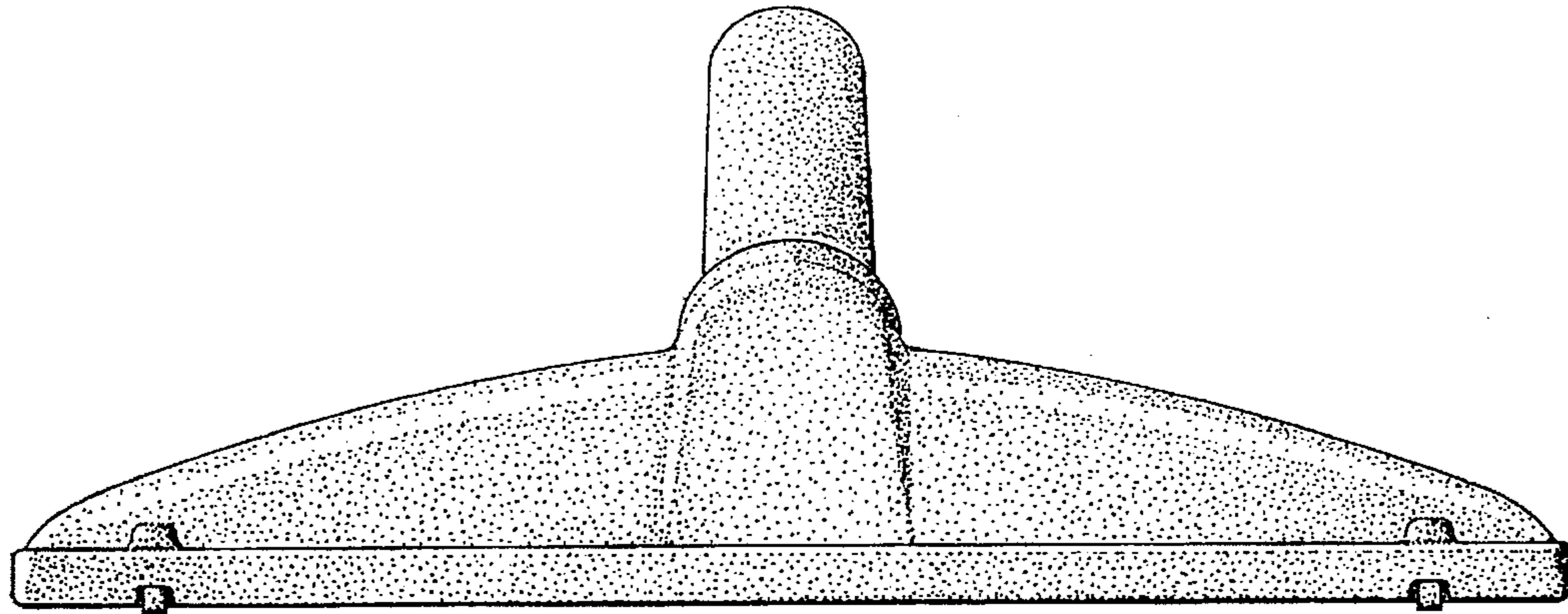
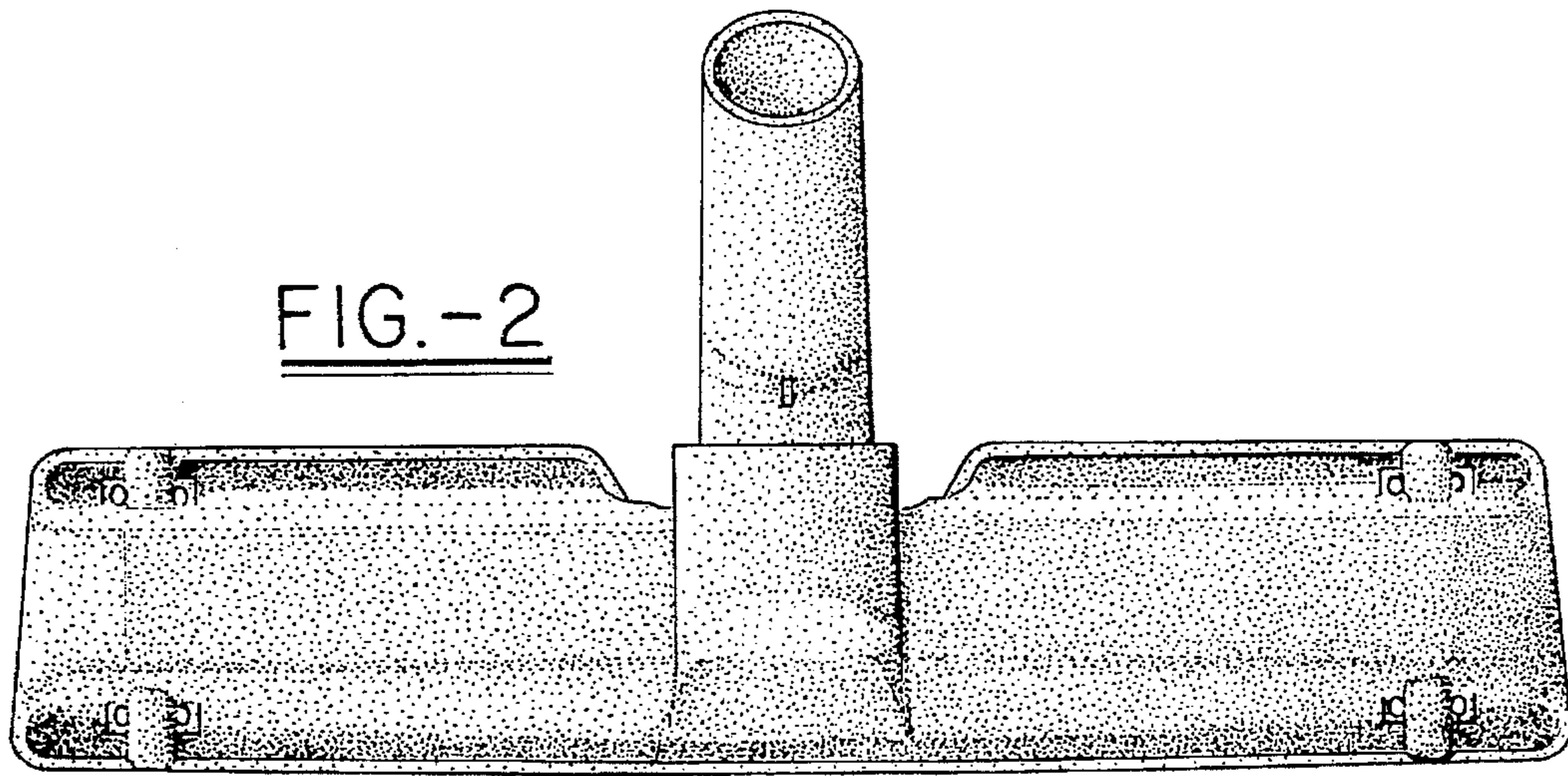


FIG.-1

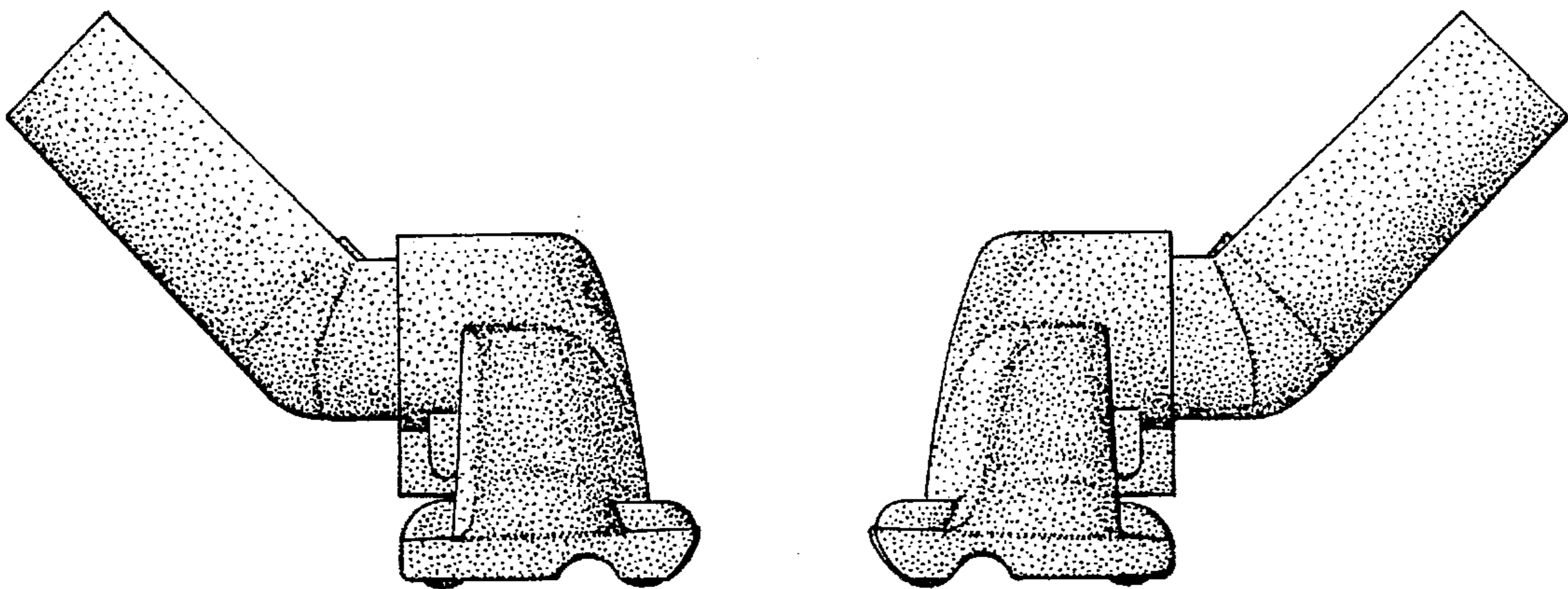


FIG.-3

FIG.-4

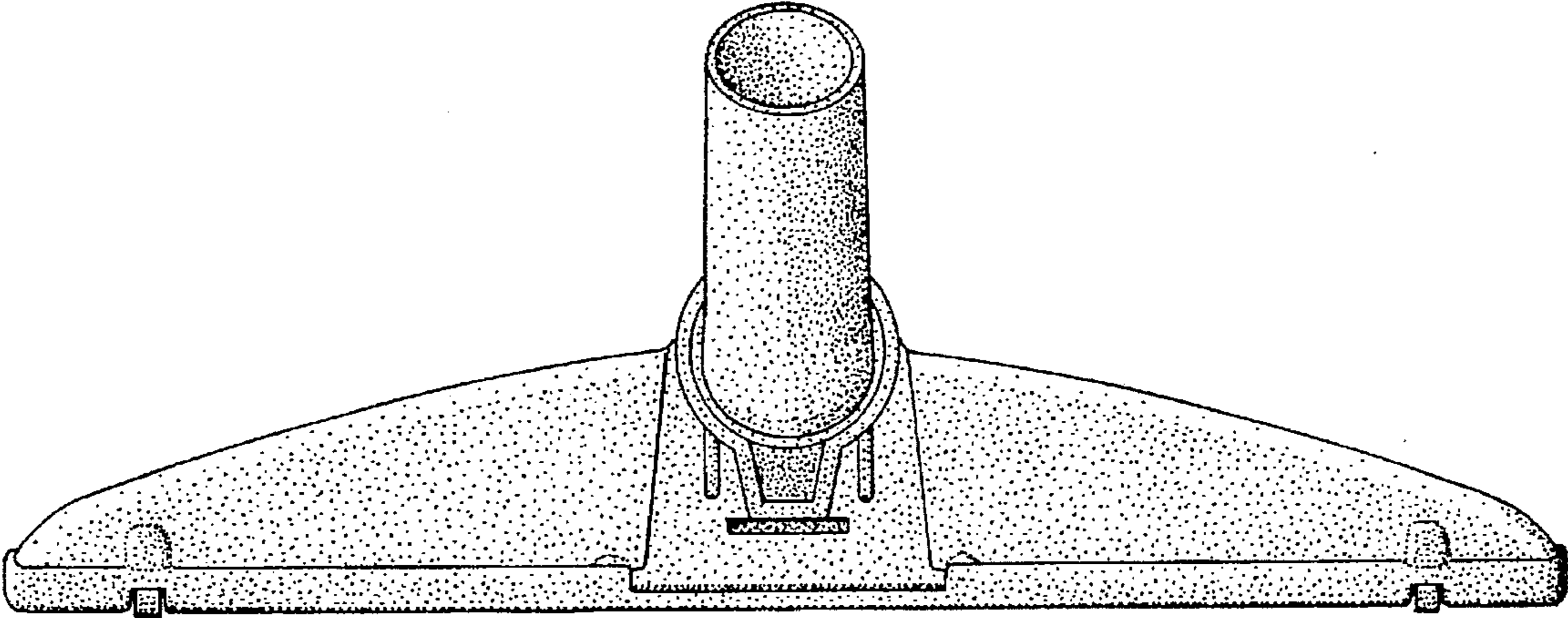


FIG.-5

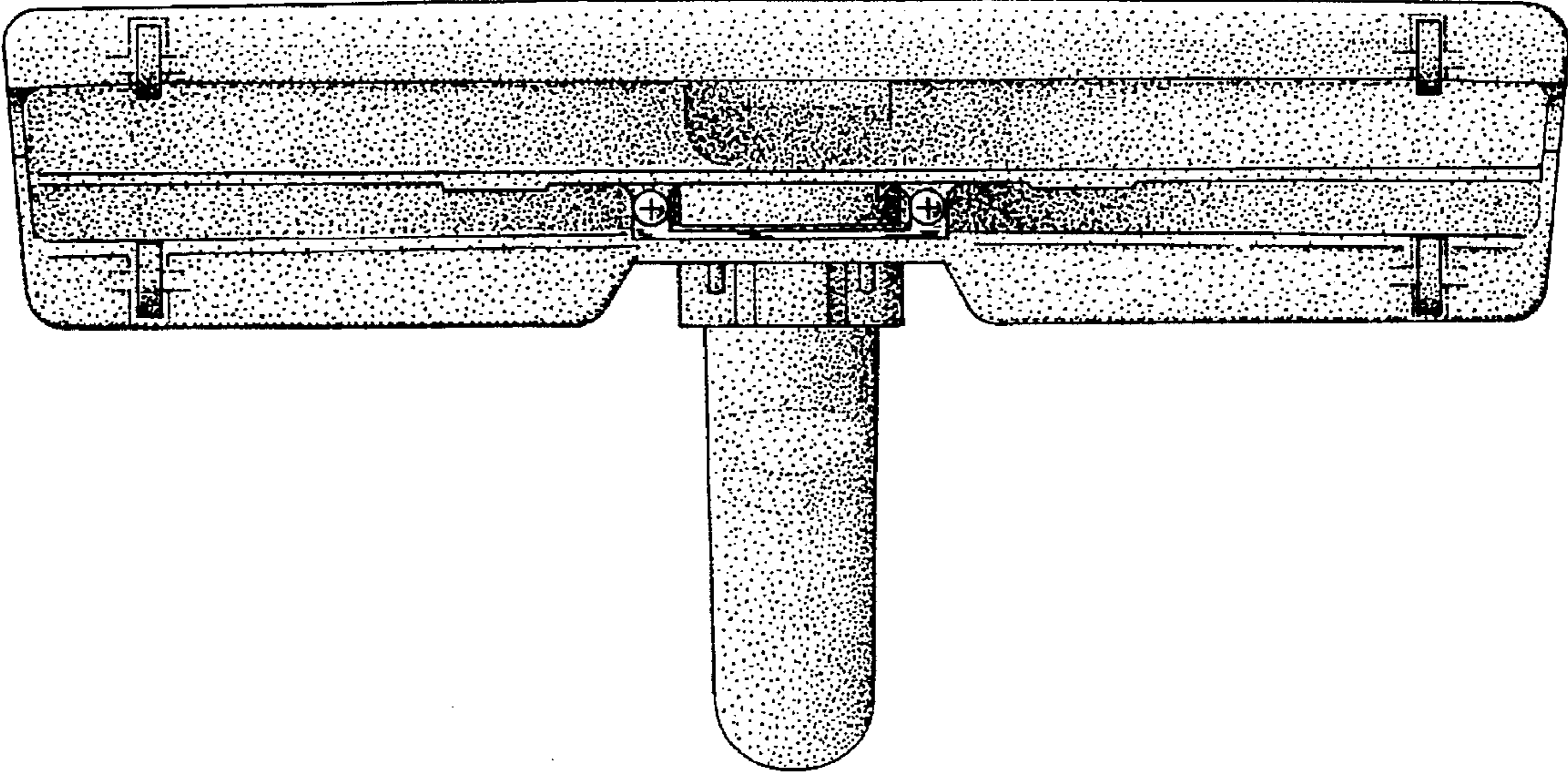


FIG.-6