



US00D381142S

# United States Patent [19]

McKnight et al.

[11] Patent Number: Des. 381,142

[45] Date of Patent: \*\*Jul. 15, 1997

[54] VACUUM CLEANER LATCH

### FOREIGN PATENT DOCUMENTS

[75] Inventors: **Darwin T. McKnight**, Louisville;  
**David W. Moine**, North Canton, both  
of Ohio

930934 7/1963 United Kingdom ..... 44/4 BE

*Primary Examiner*—Ruth McInroy  
*Attorney, Agent, or Firm*—A. Burgess Lowe; Bruce P. Wat-  
son

[73] Assignee: **The Hoover Company**, North Canton,  
Ohio

### [57] CLAIM

[\*\*] Term: **14 Years**

The ornamental design for a vacuum cleaner latch, as shown  
and described.

[21] Appl. No.: **5,070**

### DESCRIPTION

[22] Filed: **Feb. 22, 1993**

[51] LOC (6) Cl. .... **15-05**

[52] U.S. Cl. .... **D32/31**

[58] Field of Search ..... D32/31; D8/360,  
D8/308; 15/327.1, 327.2, 320, 353; 16/231;  
220/324, 315; 292/109

FIG. 1 is a top plan view of the first and second embodi-  
ments of our new ornamental design;  
FIG. 2 is a front elevational view of the first and second  
embodiments;  
FIG. 3 is a left side elevational view of the first embodiment;  
FIG. 4 is a right side elevational view of the first embodi-  
ment;  
FIG. 5 is a rear elevational view of the first embodiment;  
FIG. 6 is a bottom view of the first embodiment;  
FIG. 7 is a rear elevational view of the second embodiment;  
FIG. 8 is a cross-sectional view taken along line 8—8 of  
FIG. 7;  
FIG. 9 is a bottom view of the second embodiment;  
FIG. 10 is a cross-sectional view taken along line 10—10 of  
FIG. 9; and,  
FIG. 11 is a cross-sectional view taken along line 11—11 of  
FIG. 1.

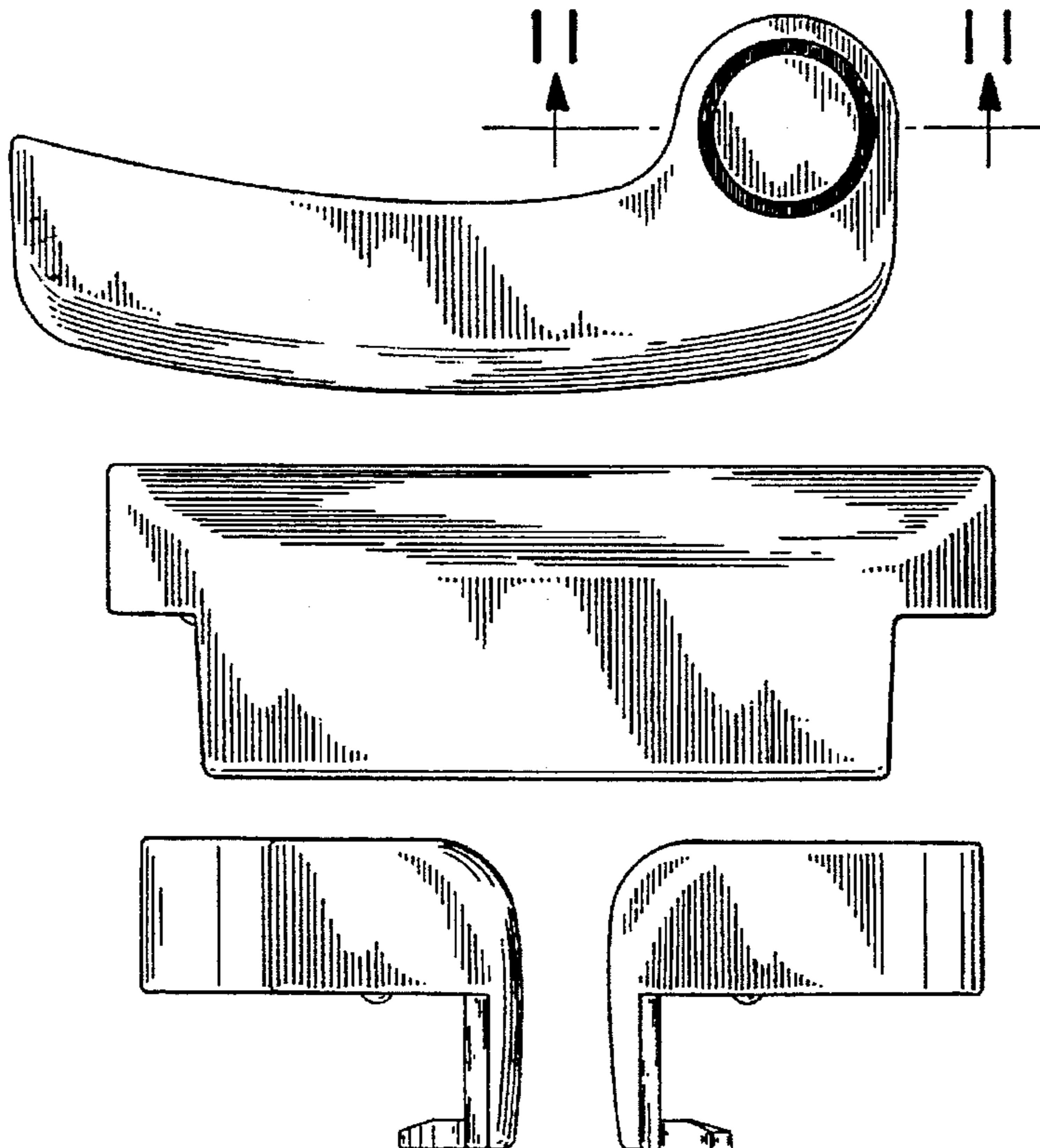
### [56] References Cited

#### U.S. PATENT DOCUMENTS

D. 197,400	1/1964	Patriquin .....	D8/308
D. 254,772	4/1980	Buck, Jr. ....	D8/308
1,127,074	2/1915	Moulton .	
1,691,988	11/1928	Olson .	
1,997,720	4/1935	Emmons .....	183/52
2,210,471	8/1940	Stevens et al. ....	220/80
3,023,473	3/1962	Cochran .....	24/243
3,181,905	5/1965	Bisbing .....	292/109
4,270,668	6/1981	Berfield .....	220/324
4,501,378	2/1985	Berfield .....	220/324
5,079,806	1/1992	Allen .....	24/3.05 R

The latch as illustrated and claimed is typically used for  
attaching the top cover to the bottom tank of a tank type  
utility vacuum cleaner.

**1 Claim, 2 Drawing Sheets**



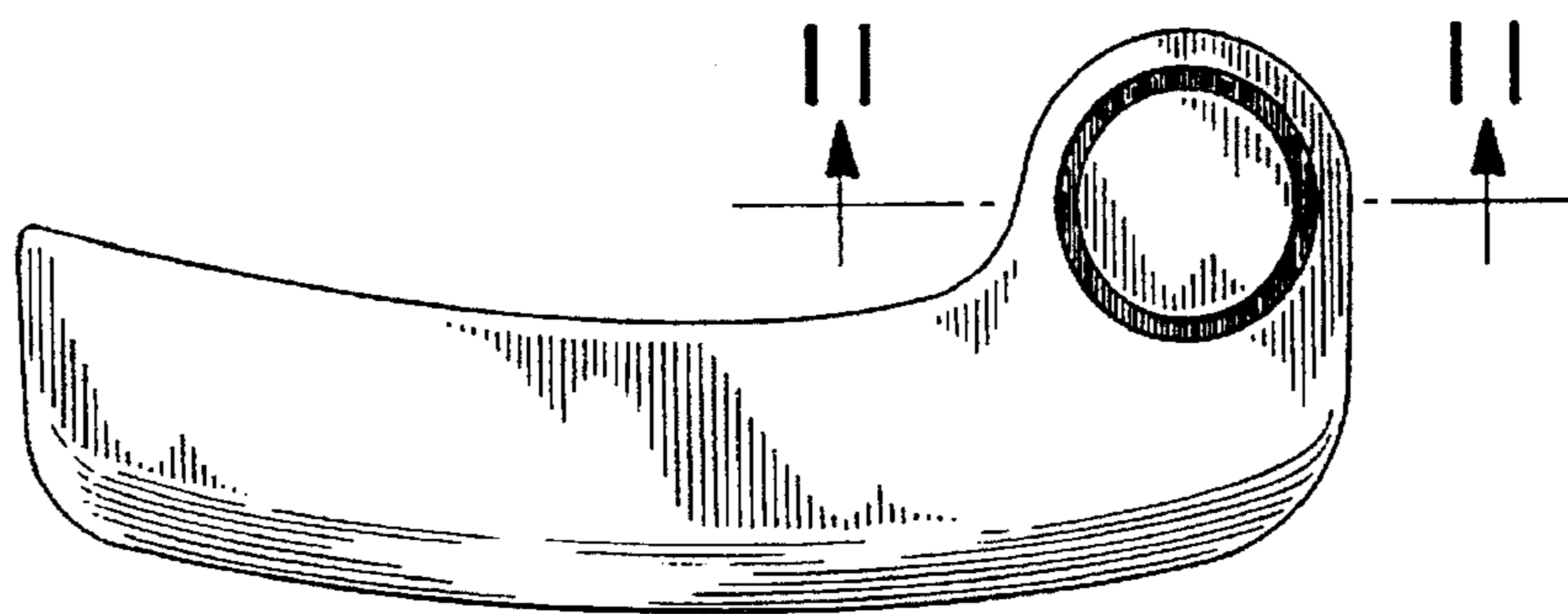


FIG. -1

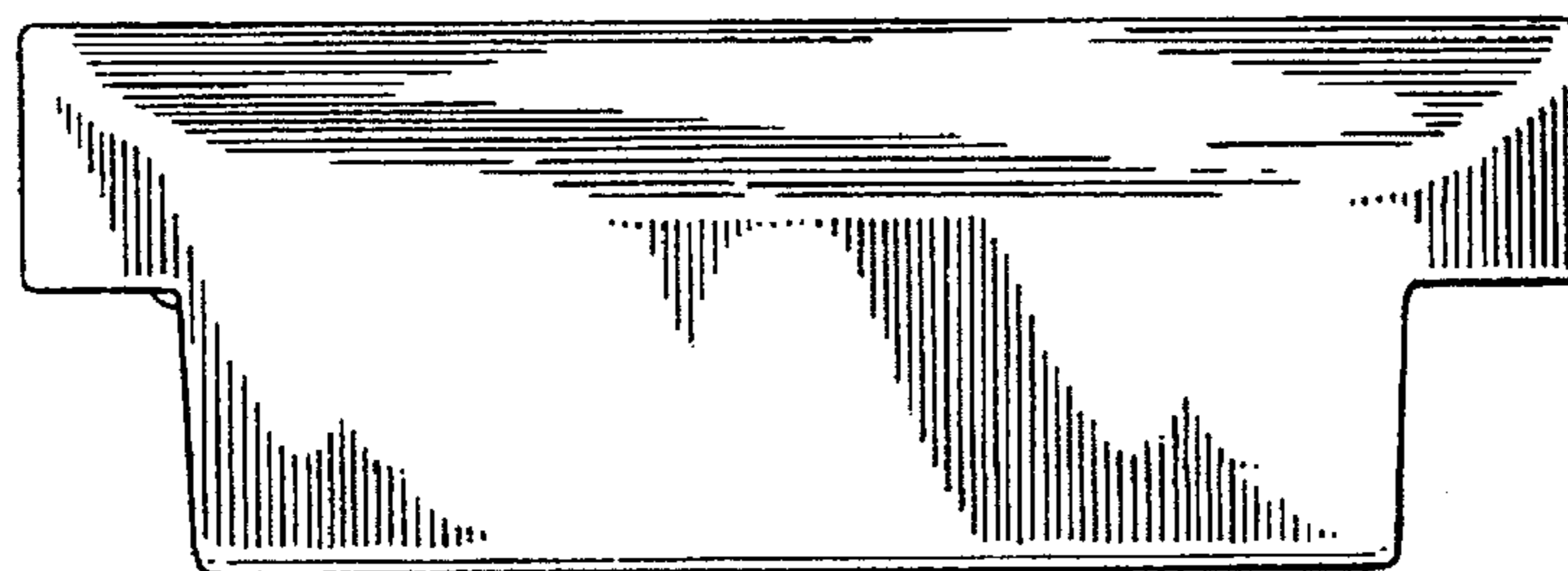


FIG. -2

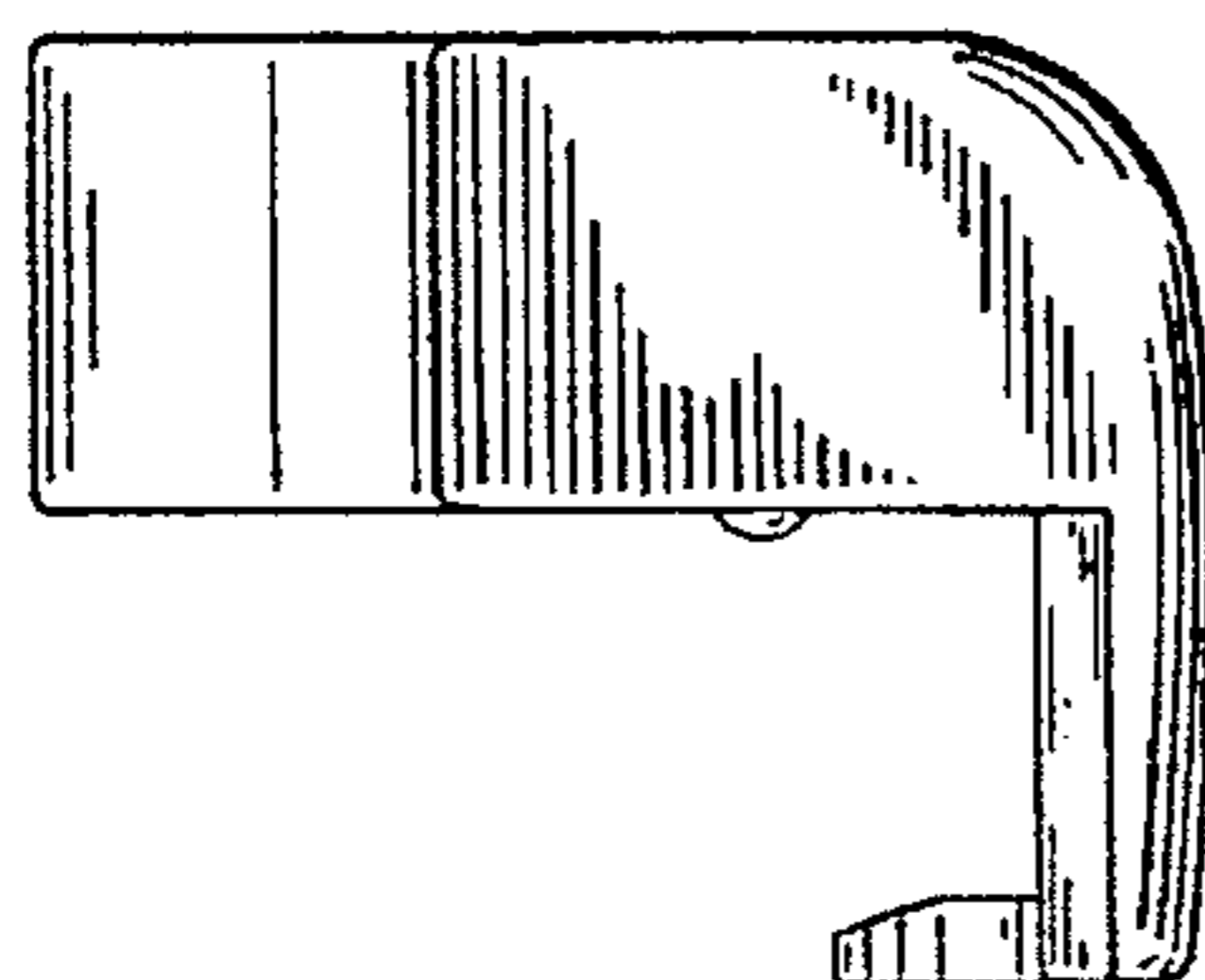


FIG. -3

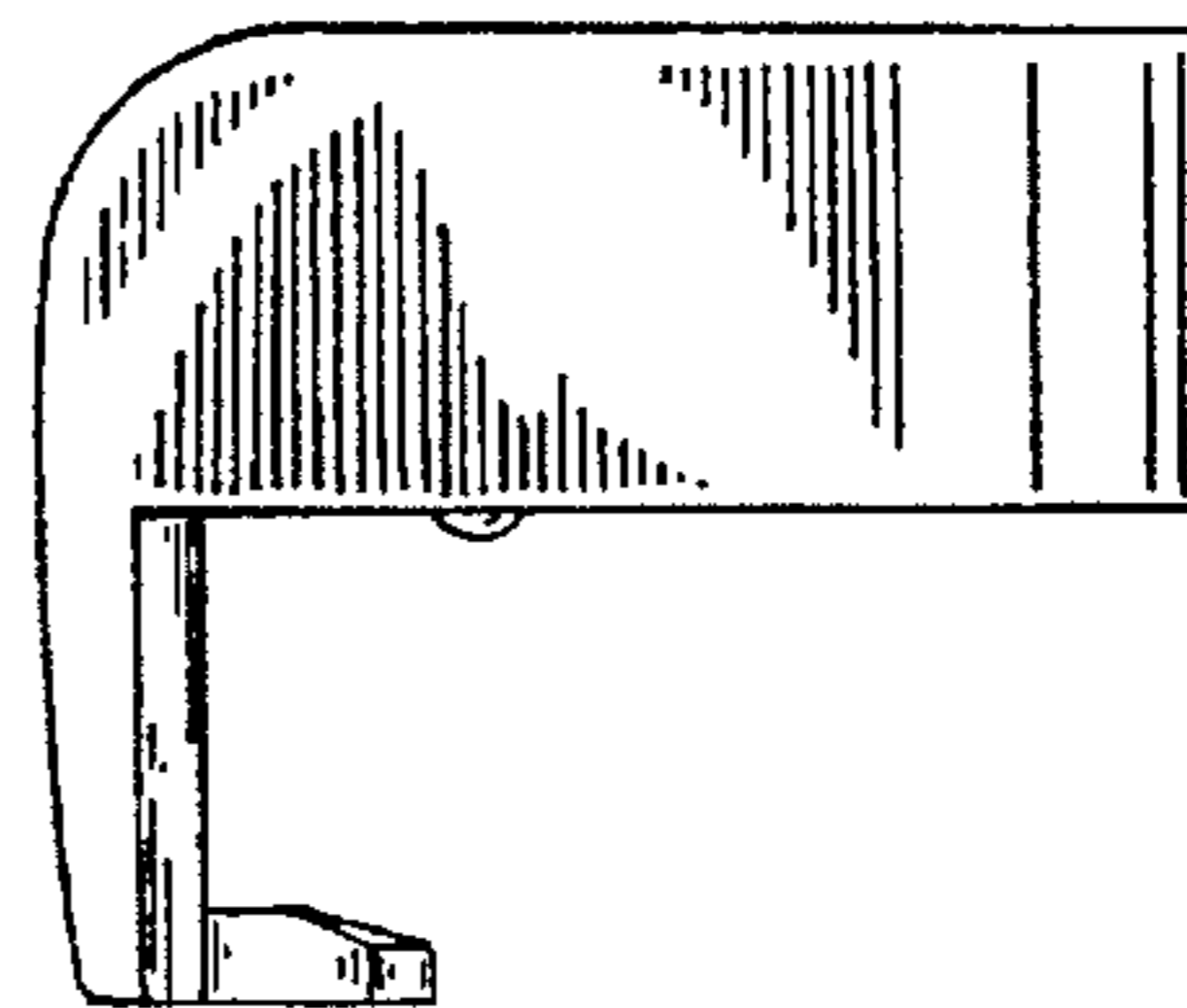


FIG. -4

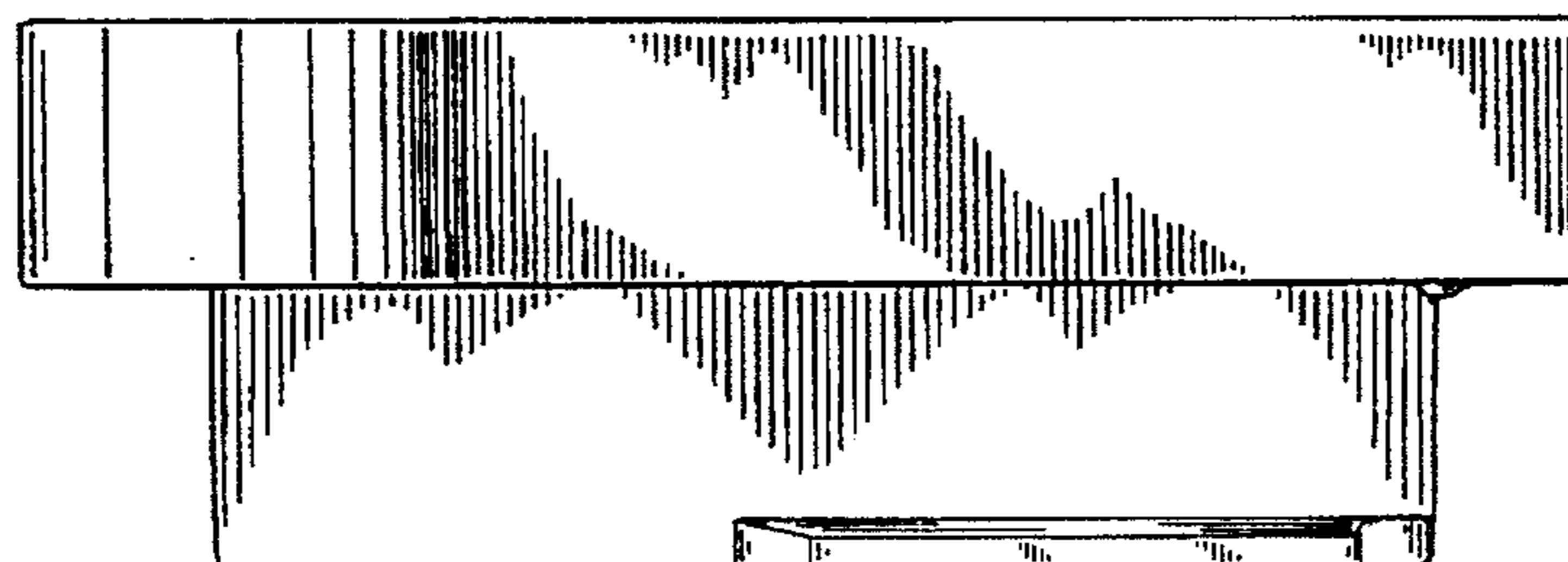


FIG. -5

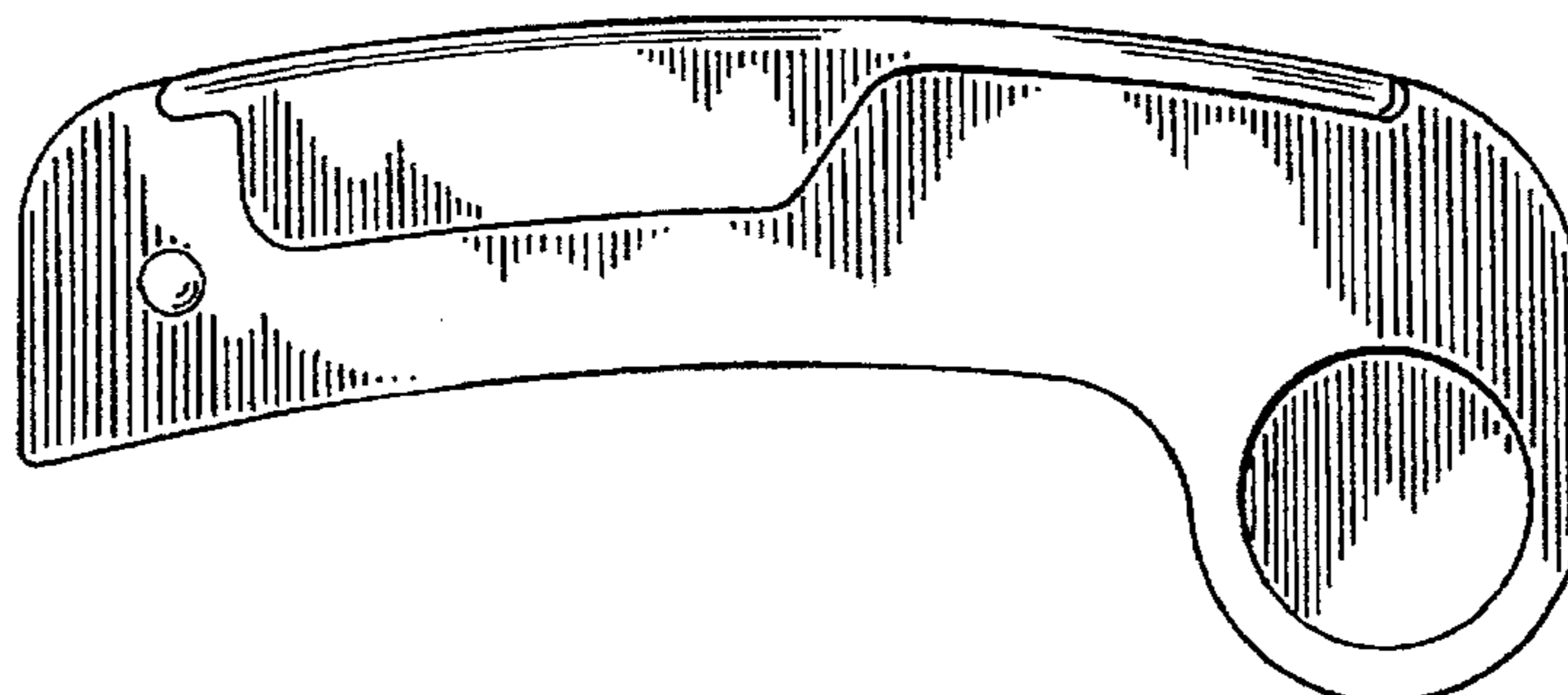


FIG. -6

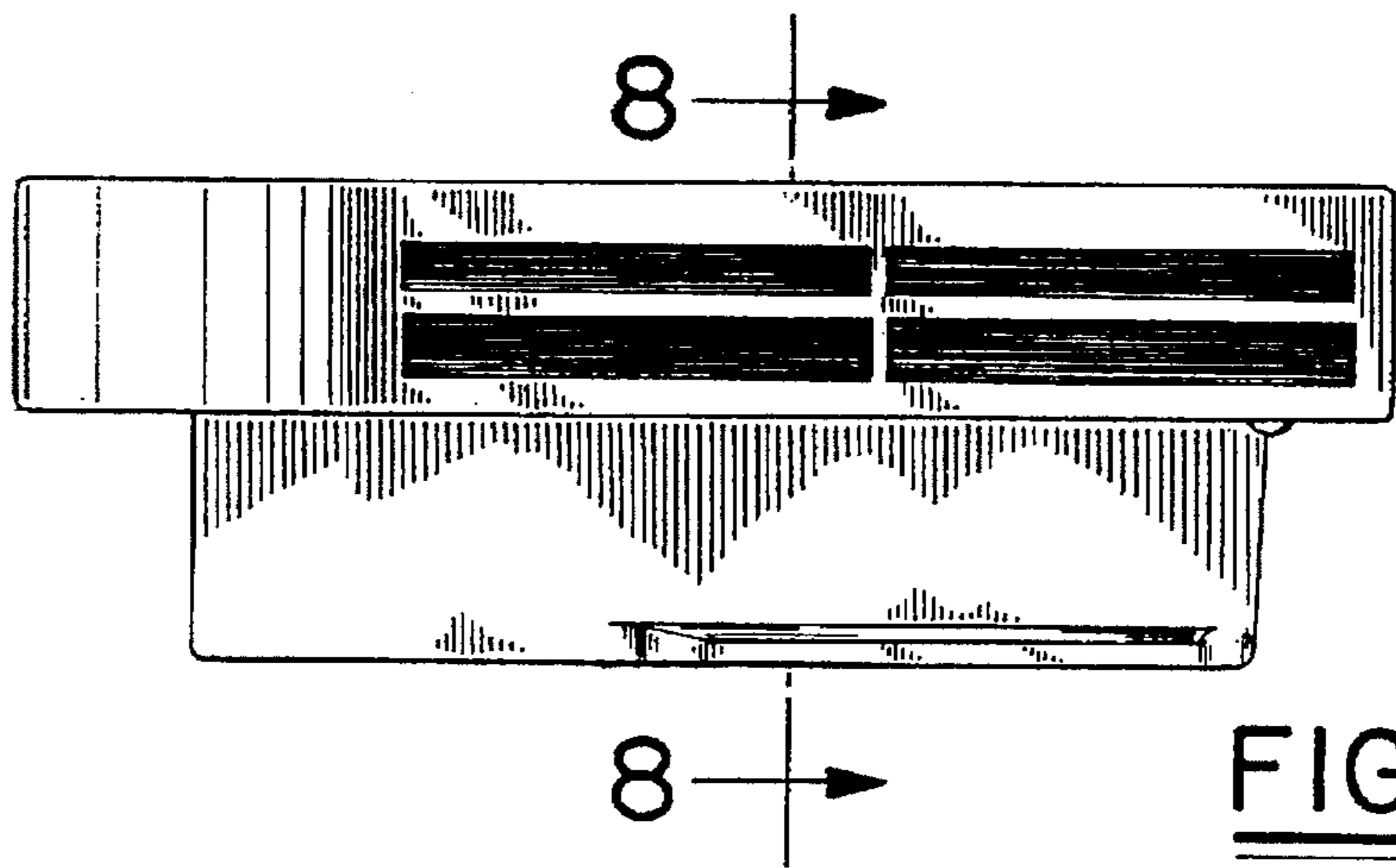


FIG.-7

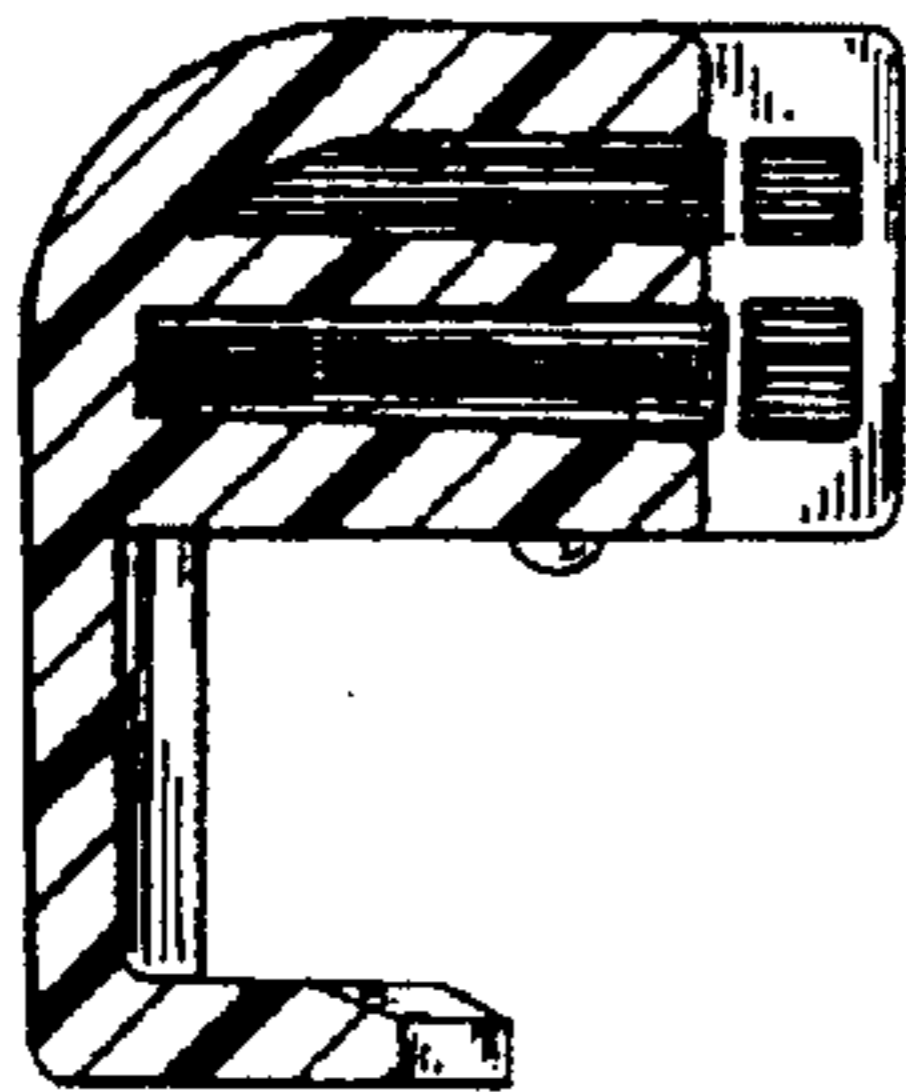


FIG.-8

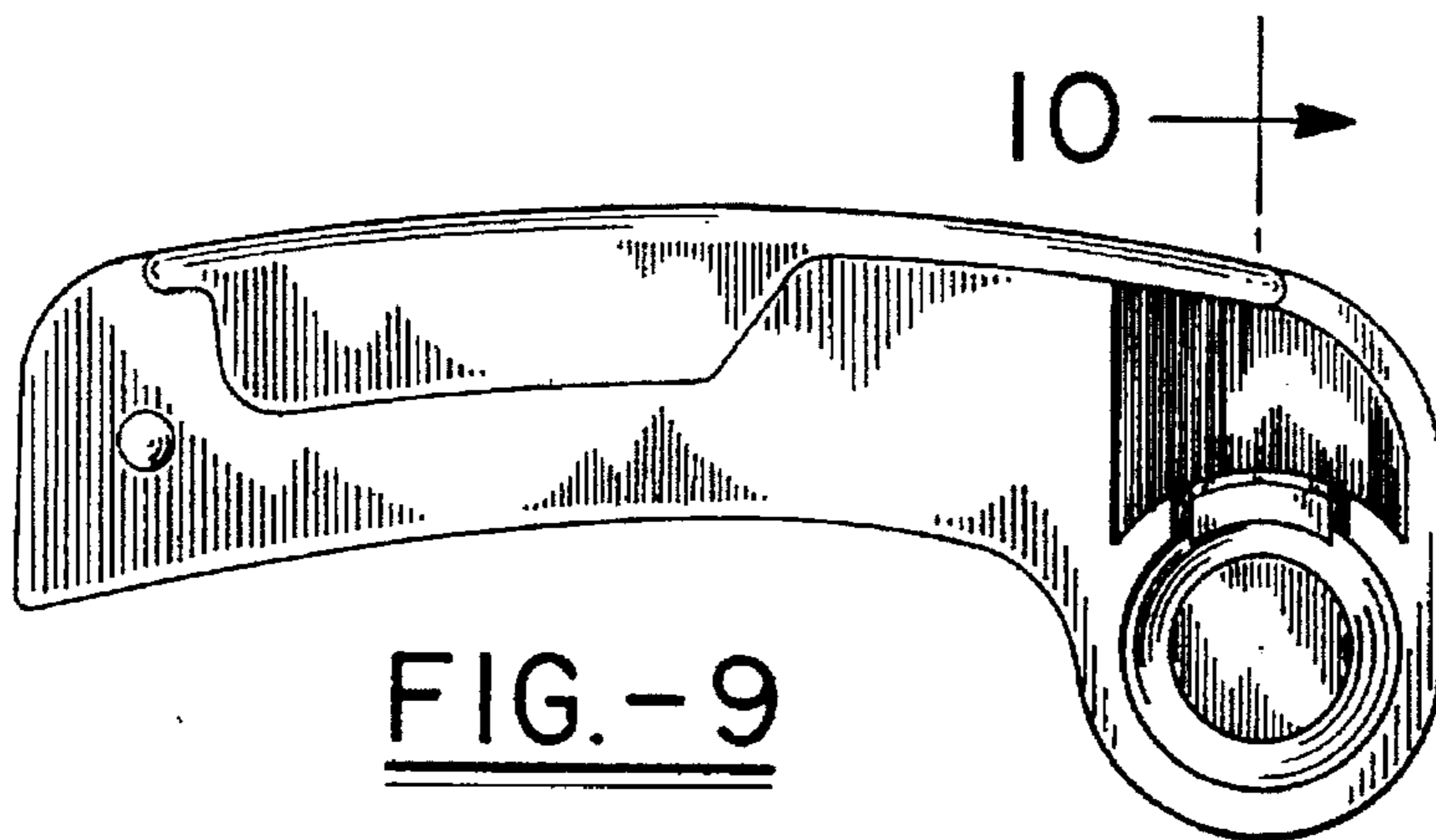


FIG.-9

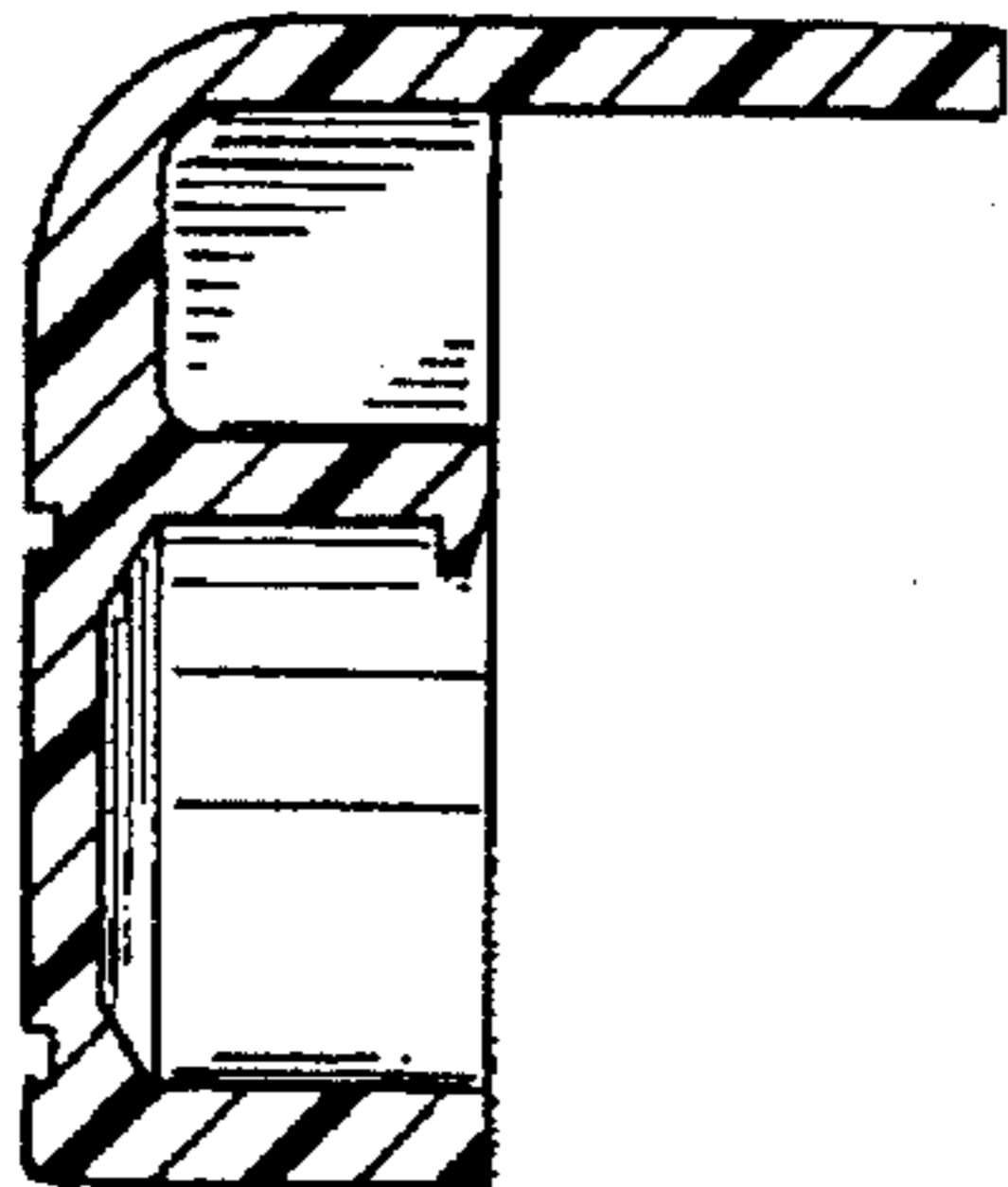


FIG.-10

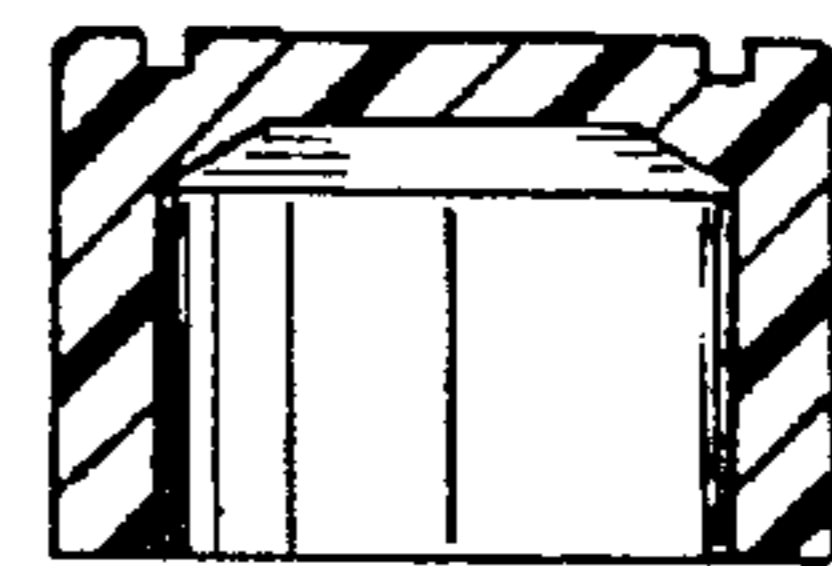


FIG.-11