



US00D381140S

United States Patent [19]

Pinkowski et al.

[11] Patent Number: **Des. 381,140**

[45] Date of Patent: ****Jul. 15, 1997**

[54] **AGITATOR FOR AUTOMATIC WASHER**

[75] Inventors: **Robert J. Pinkowski**, Baroda;
Raymond A. Kaczmarek, Livonia,
both of Mich.

[73] Assignee: **Whirlpool Corporation**, Benton
Harbor, Mich.

[**] Term: **14 Years**

[21] Appl. No.: **23,961**

[22] Filed: **Jun. 3, 1994**

[51] LOC (6) Cl. **15-05**

[52] U.S. Cl. **D32/26**

[58] Field of Search D32/25, 26; 68/23.6,
68/23.7, 53, 54, 131-134

[56] **References Cited**

U.S. PATENT DOCUMENTS

D. 196,194	9/1963	Krolzick	D49/1
D. 199,632	11/1964	Ohmann	D49/1
D. 205,044	6/1966	Tichenor	D49/1
D. 209,006	10/1967	Smith	D32/26
D. 209,007	10/1967	Smith	D32/26
D. 210,240	2/1968	Trembath	D49/1

D. 217,388	4/1970	Goodman et al.	D32/26
D. 237,004	9/1975	Blake et al.	D15/5
D. 267,672	1/1983	Ohmann et al.	D32/26
D. 314,263	1/1991	Mueller	D32/26
1,810,047	6/1931	Hersh	.	
4,048,820	9/1977	Pielmeier	68/133
4,164,130	8/1979	Hammer	68/133
4,170,882	10/1979	Brenner et al.	68/133
4,856,303	8/1989	Hood, Jr. et al.	68/133

Primary Examiner—Ruth McInroy
Attorney, Agent, or Firm—Thomas A. Schwyn; Joel A. Van Winkle; Mark A. Davis

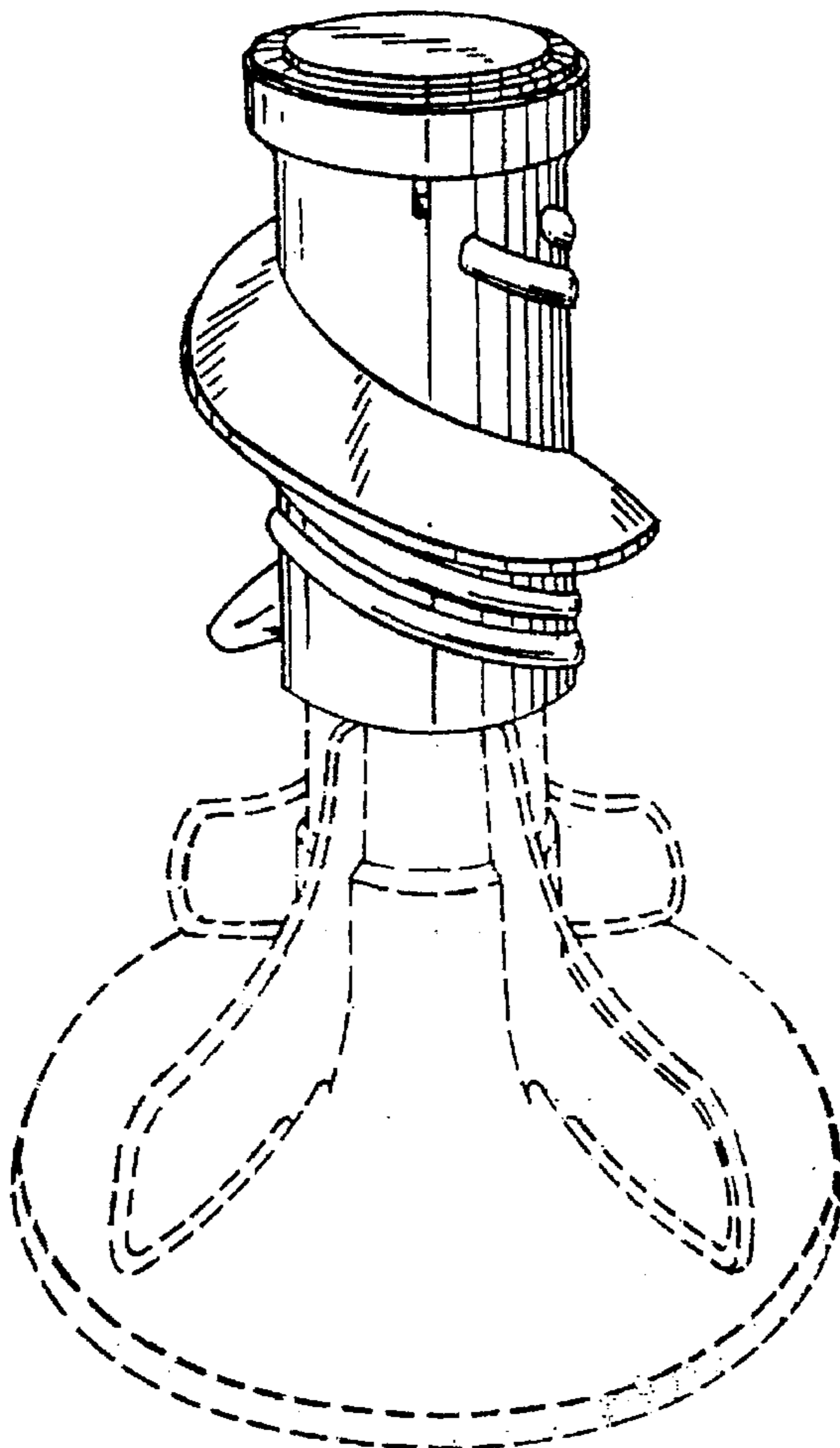
[57] **CLAIM**

The ornamental design for an agitator for automatic washer, as shown and described.

DESCRIPTION

FIG. 1 is a perspective view of an agitator for automatic washer showing our new design;
FIG. 2 is a side elevational view thereof;
FIG. 3 is a top plan view thereof;
FIG. 4 is a side elevational view rotated 45 degrees from FIG. 2; and,
FIG. 5 is a side elevational view rotated 90 degrees from FIG. 4.

1 Claim, 2 Drawing Sheets



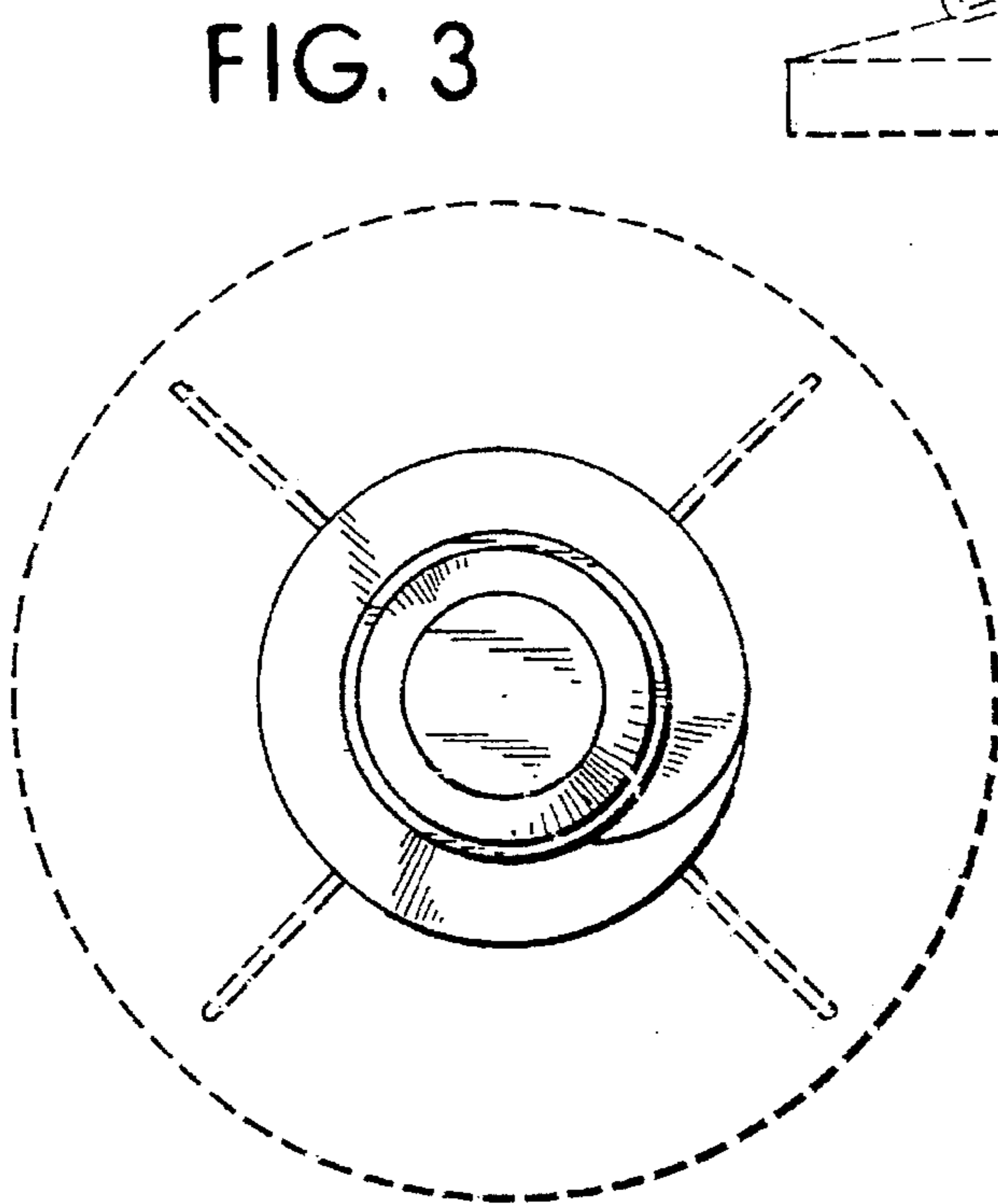
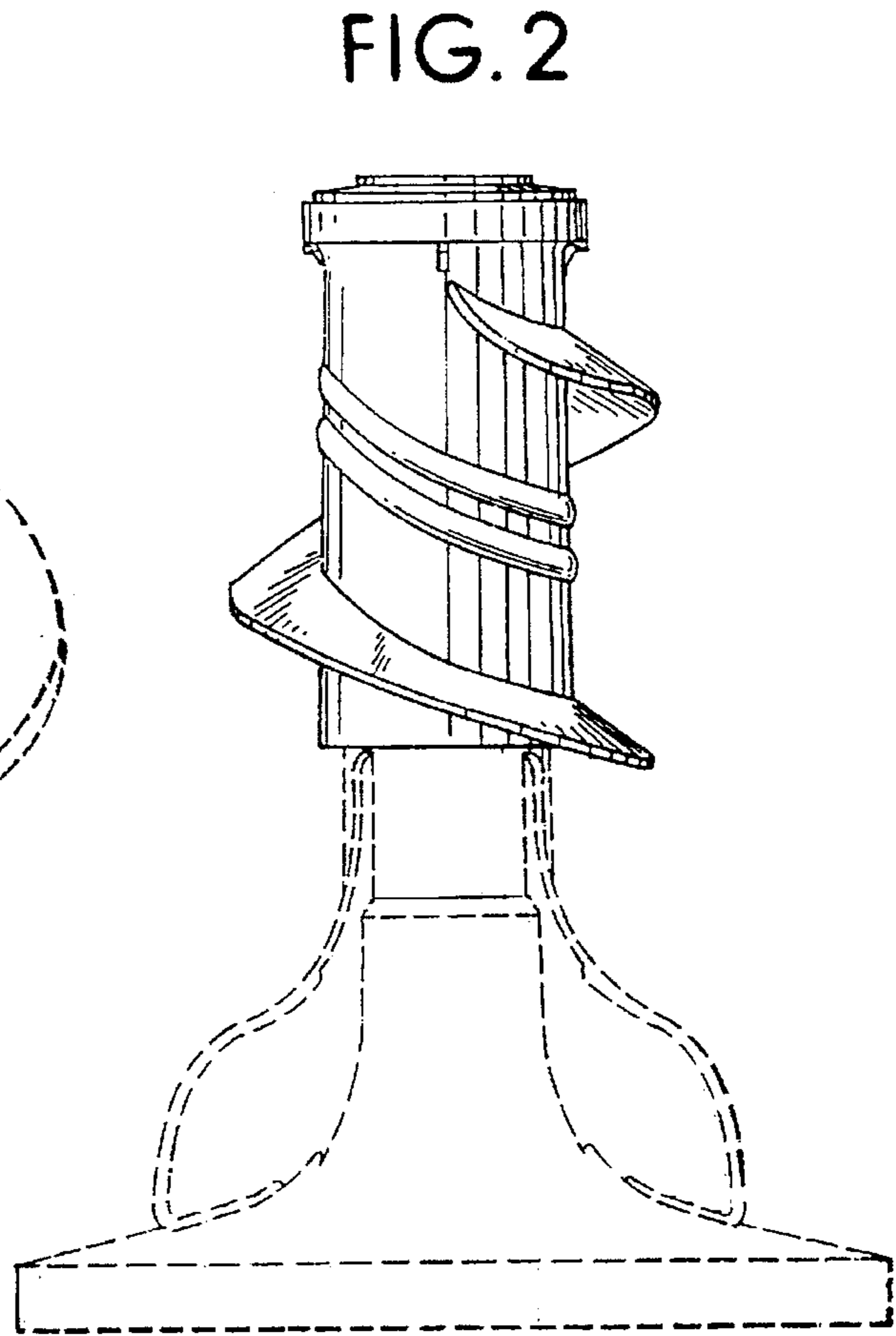
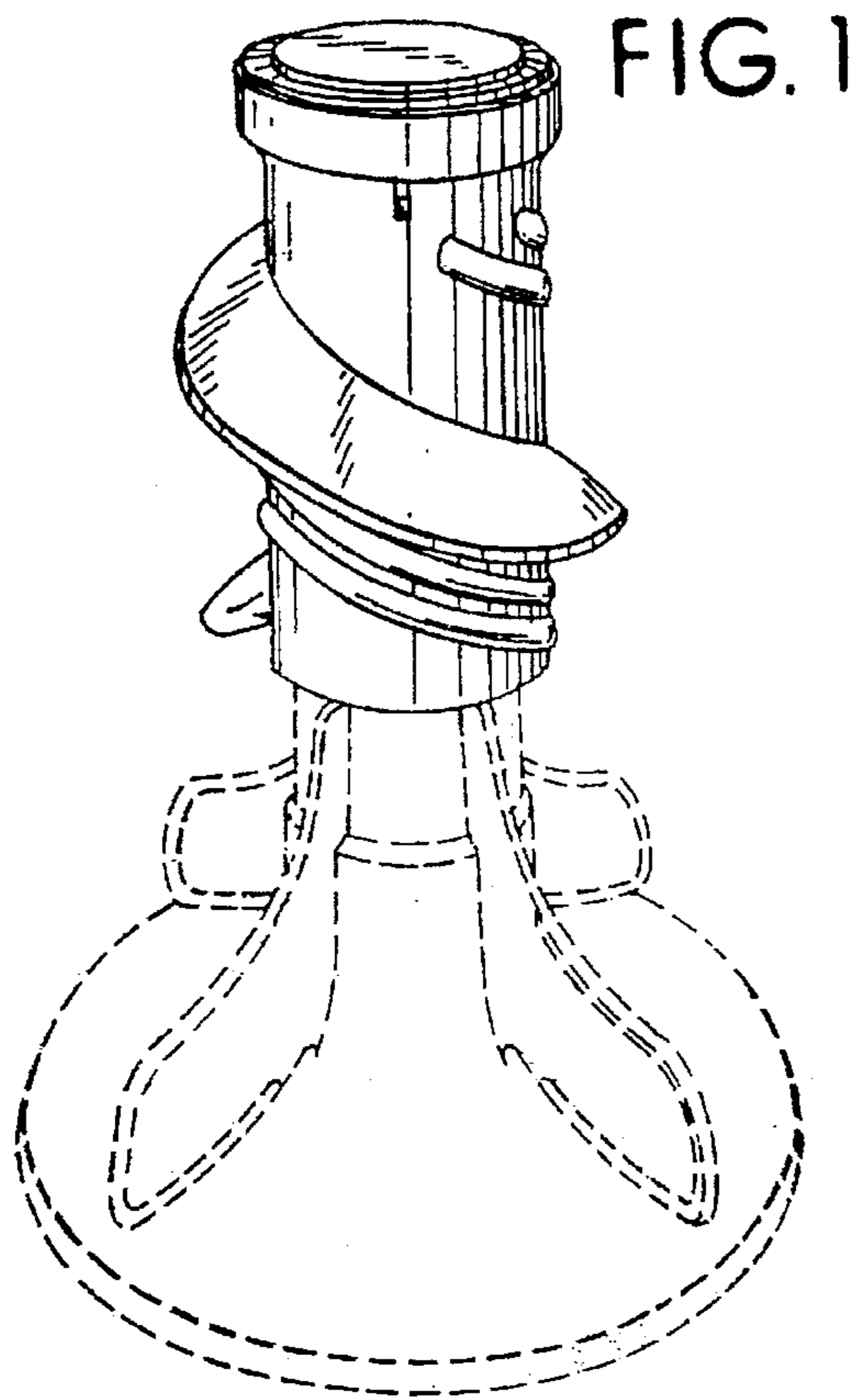


FIG. 4

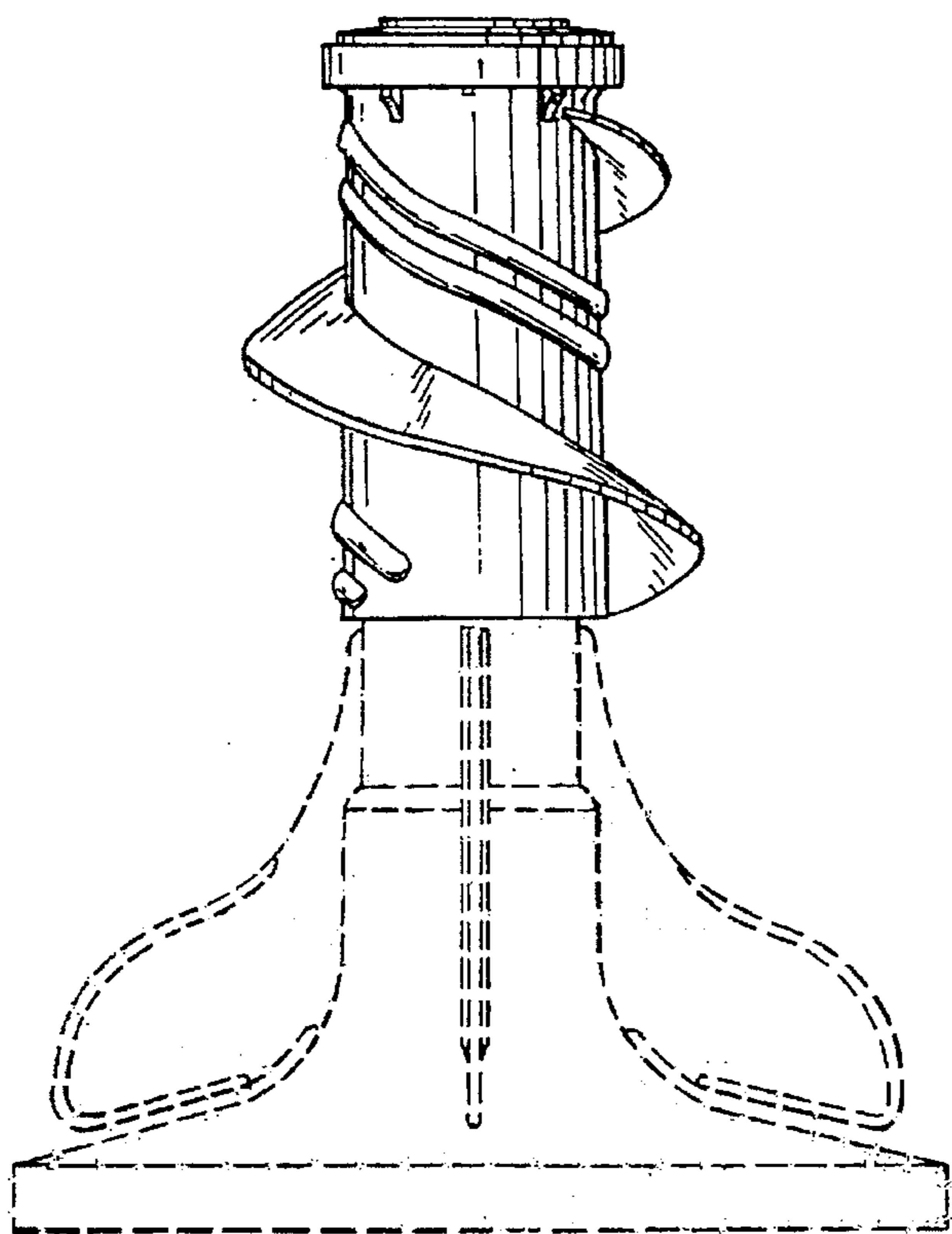


FIG. 5

