



US00D381138S

**United States Patent** [19]  
**Taylor**

[11] **Patent Number: Des. 381,138**

[45] **Date of Patent: \*\*Jul. 15, 1997**

[54] **VEHICULAR MOUNTED SHOE CLEANING BRUSH**

[76] **Inventor: Thomas Taylor, 1905 2nd St., Barnwell, S.C. 29812-1706**

[\*\*] **Term: 14 Years**

[21] **Appl. No.: 40,758**

[22] **Filed: Jun. 26, 1995**

[51] **LOC (6) Cl. .... 15-05**

[52] **U.S. Cl. .... D32/14.1**

[58] **Field of Search .... D32/4, 14.1, 25; 280/164 A, 166; 15/160, 53 AB, 216, 217; 51/334**

[56] **References Cited**

**U.S. PATENT DOCUMENTS**

- D. 112,188 11/1938 Baldwin ..... D32/14.1
- D. 212,778 11/1968 Smith et al. .... D32/4
- 3,740,072 6/1973 Veith ..... 280/164 A

- 3,871,139 3/1975 Rands ..... 51/334
- 4,510,639 4/1985 Roncaglione ..... 15/53 AB
- 5,042,839 8/1991 Ciari ..... 280/813
- 5,075,917 12/1991 Wheat et al. .... 15/161

*Primary Examiner*—Ted Shooman  
*Assistant Examiner*—Mitchell Siegel  
*Attorney, Agent, or Firm*—John D. Gugliotta

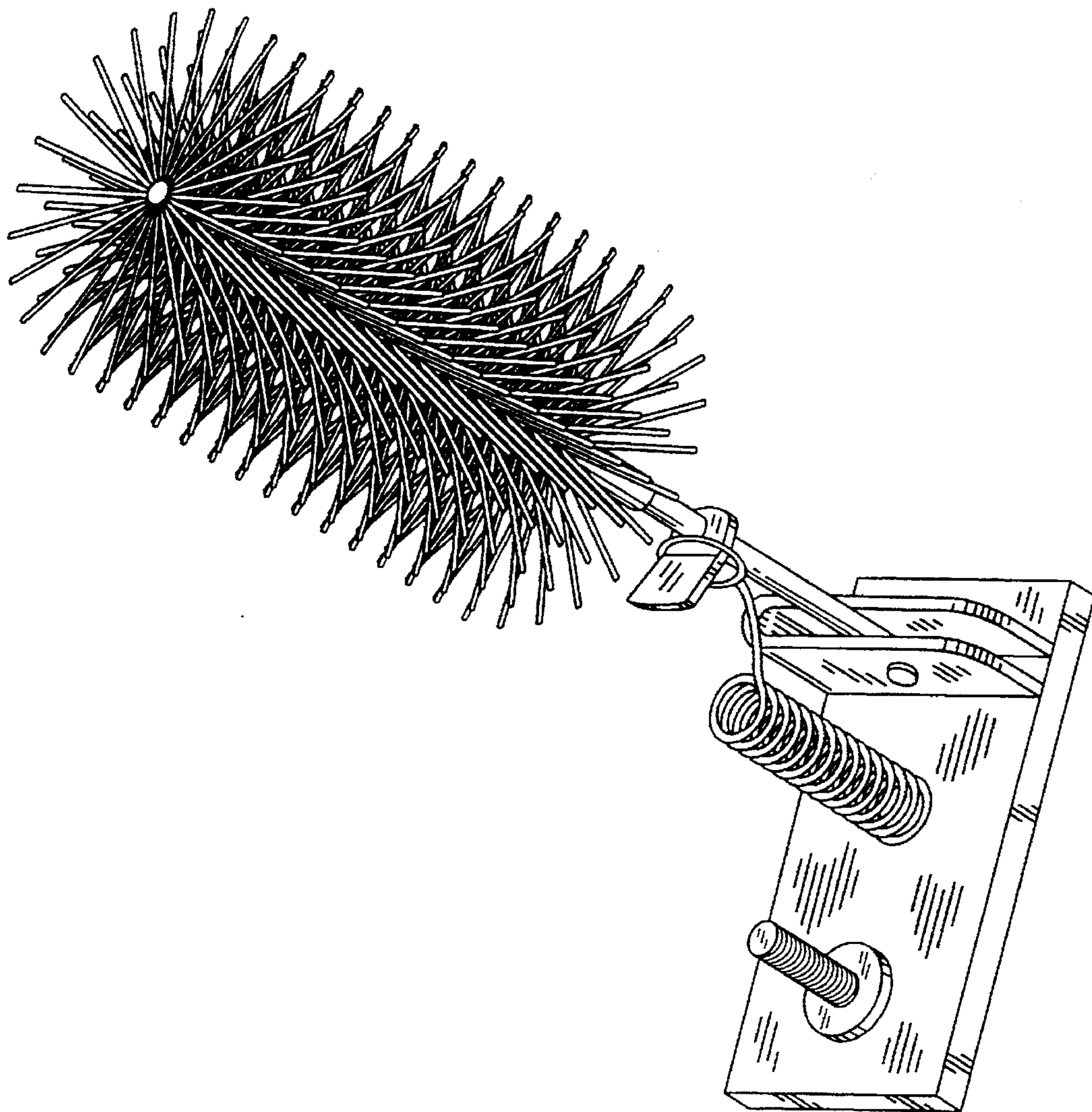
[57] **CLAIM**

The ornamental design for a vehicular mounted shoe cleaning brush, as shown and described.

**DESCRIPTION**

FIG. 1 is a perspective view of a vehicular mounted shoe cleaning brush showing my new design; FIG. 2 is a bottom plan view thereof; FIG. 3 is a top plan view thereof; FIG. 4 is a left side elevation thereof; FIG. 5 is a rear side elevation thereof; and, FIG. 6 is a front side elevation thereof.

**1 Claim, 4 Drawing Sheets**



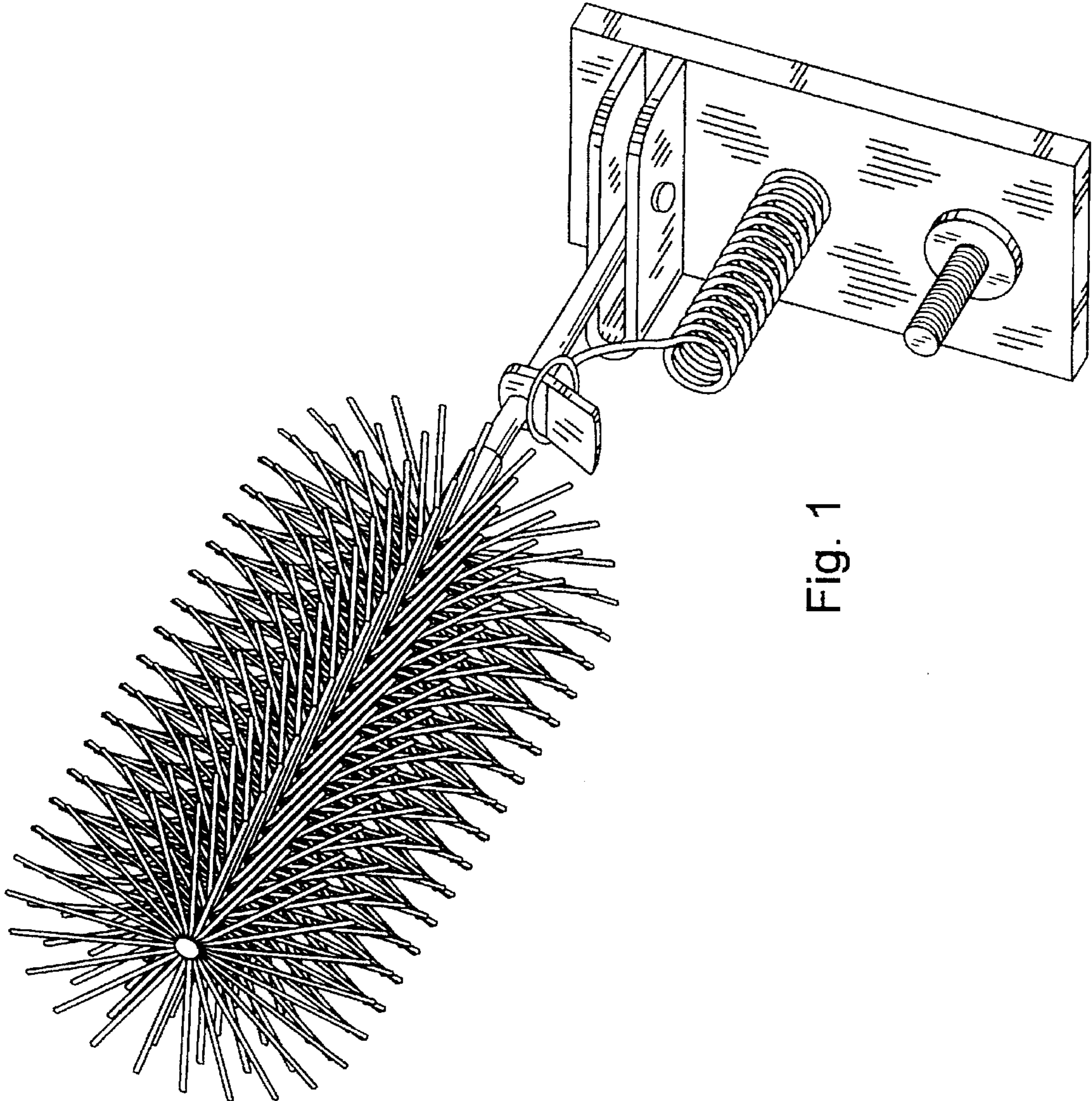


Fig. 1

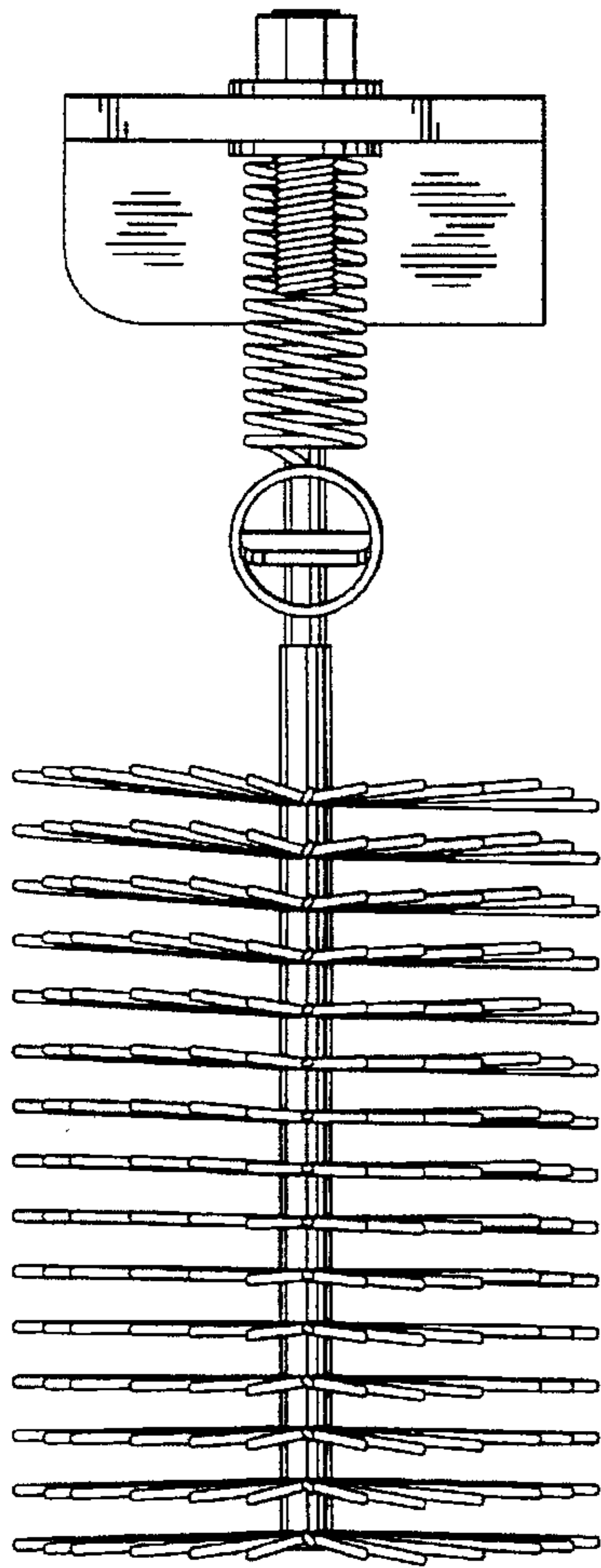


Fig. 2

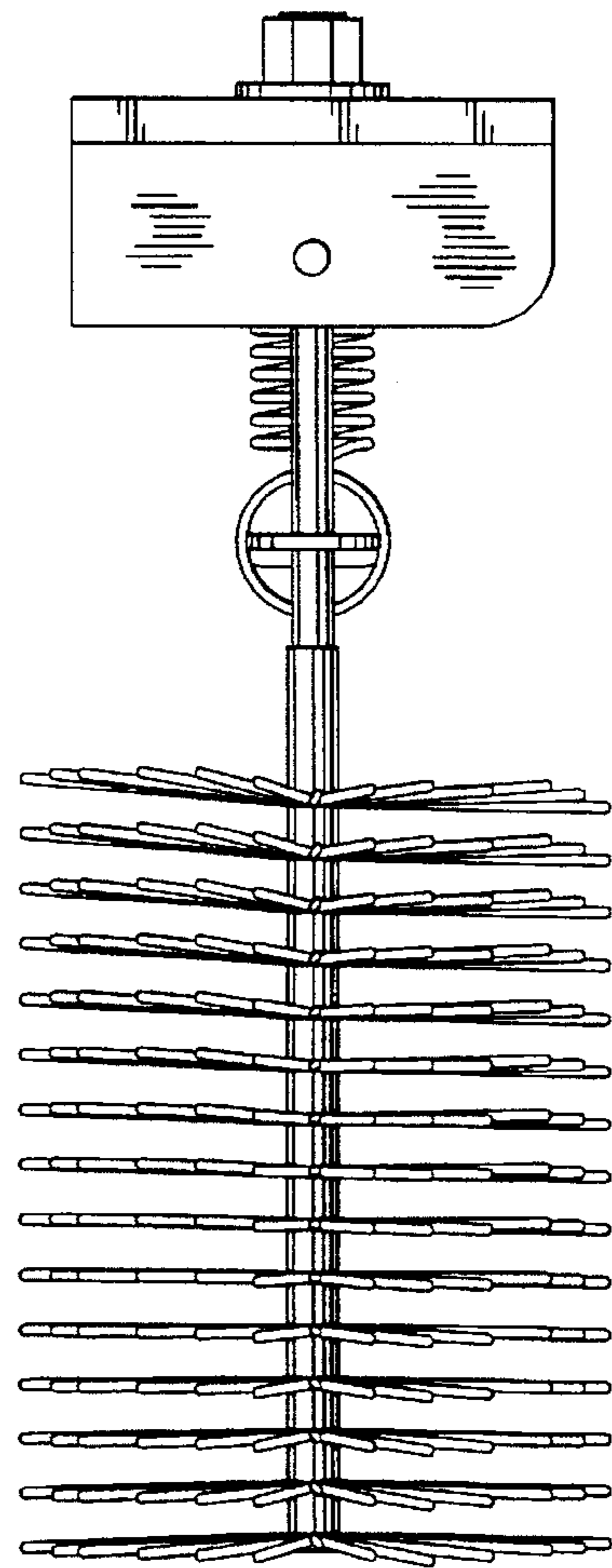


Fig. 3



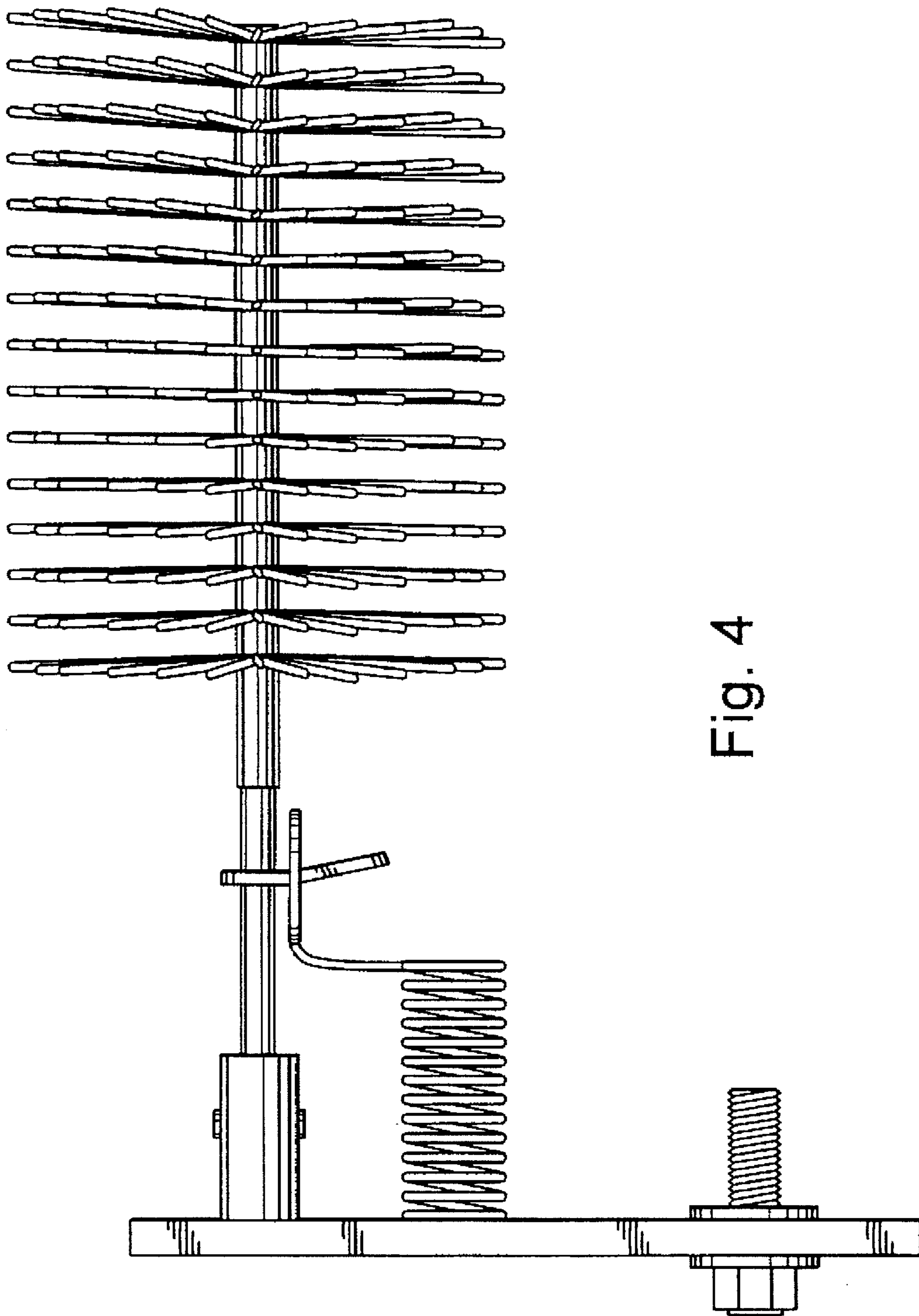


Fig. 4

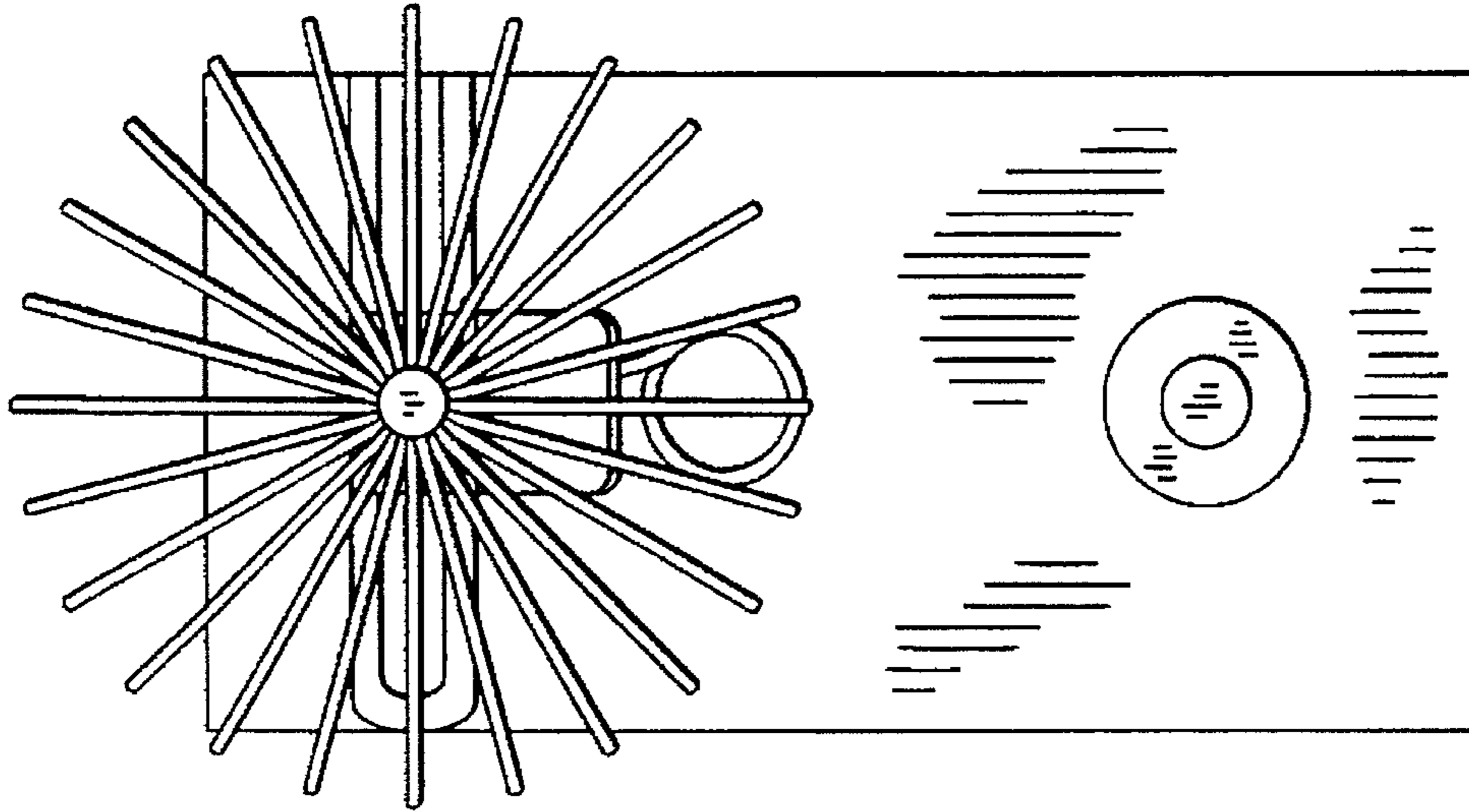


Fig. 6

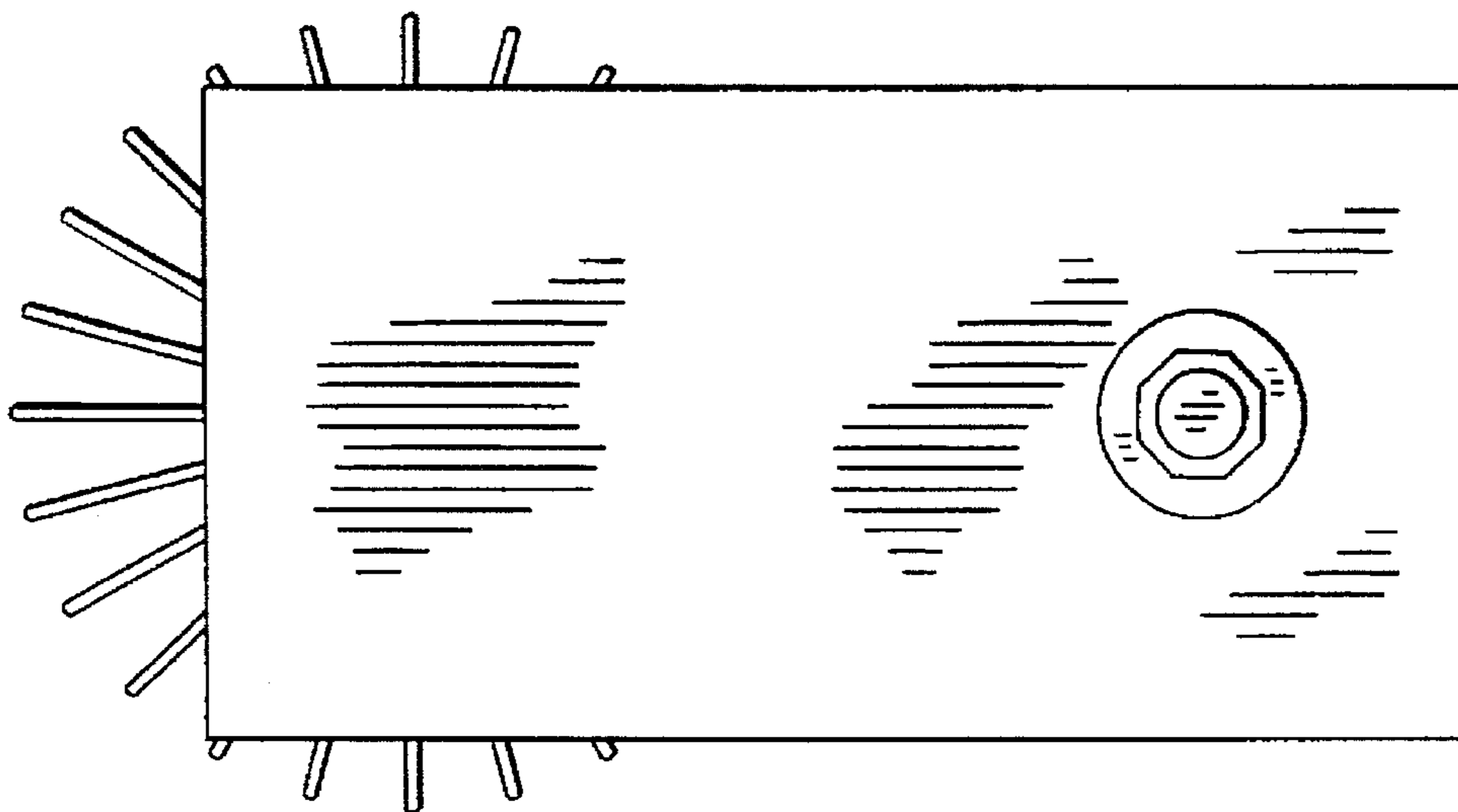


Fig. 5