



US00D381137S

**United States Patent** [19]  
**Jala**

[11] **Patent Number:** **Des. 381,137**

[45] **Date of Patent:** **\*\*Jul. 15, 1997**

[54] **WHEEL CLEANER FOR AUTOMOTIVE VEHICLES**

3,520,013 7/1970 Gougoulas ..... 15/53.1 X

[76] **Inventor:** **Jorma Jala**, 4100 Galt Ocean Dr., Unit 1402, Fort Lauderdale, Fla. 33308

*Primary Examiner*—Philip S. Hyder  
*Assistant Examiner*—Mitchell I. Siegel  
*Attorney, Agent, or Firm*—Charles E. Baxley, Esq.

[\*\*] **Term:** **14 Years**

[57] **CLAIM**

[21] **Appl. No.:** **53,333**

The ornamental design for a wheel cleaner for automotive vehicles, as shown and described.

[22] **Filed:** **Apr. 12, 1996**

**DESCRIPTION**

[51] **LOC (6) Cl.** ..... **15-05**

[52] **U.S. Cl.** ..... **D32/4**

[58] **Field of Search** ..... D32/4, 25; 15/28, 15/53.1, 53.2, 53.3, 53.4

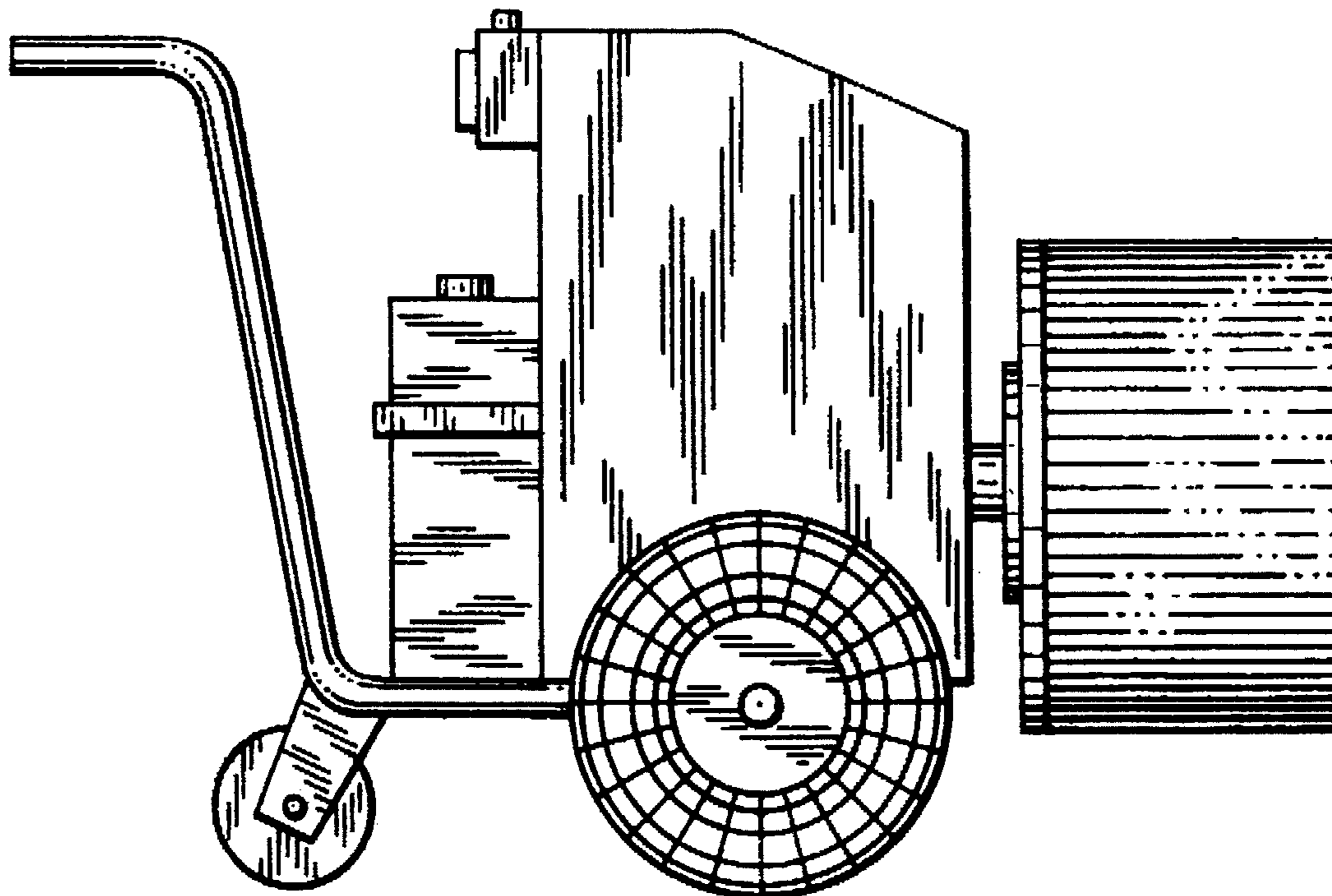
FIG. 1 is a right elevational view showing the design of my wheel cleaner for automotive vehicles, the left elevational view thereof being a mirror image of FIG. 1; FIG. 2 is a top planar view thereof; FIG. 3 is a rear elevational view thereof; FIG. 4 is a frontal elevational view thereof; and, FIG. 5 is a bottom planar view thereof.

[56] **References Cited**

**U.S. PATENT DOCUMENTS**

D. 340,786 10/1993 Jones ..... D32/1 X  
3,104,406 9/1963 Rhodes ..... 15/53.1

**1 Claim, 3 Drawing Sheets**



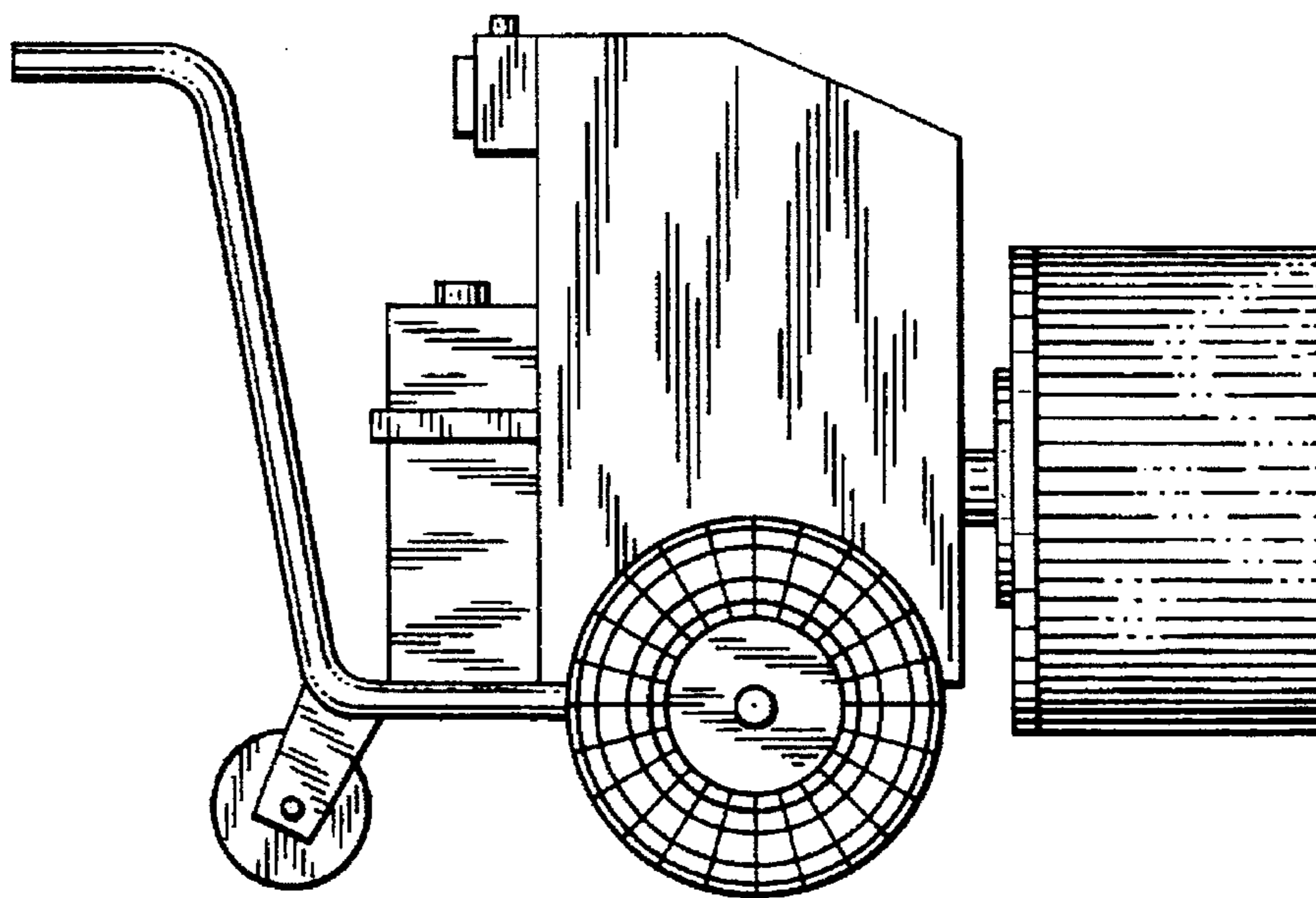


FIG. 1

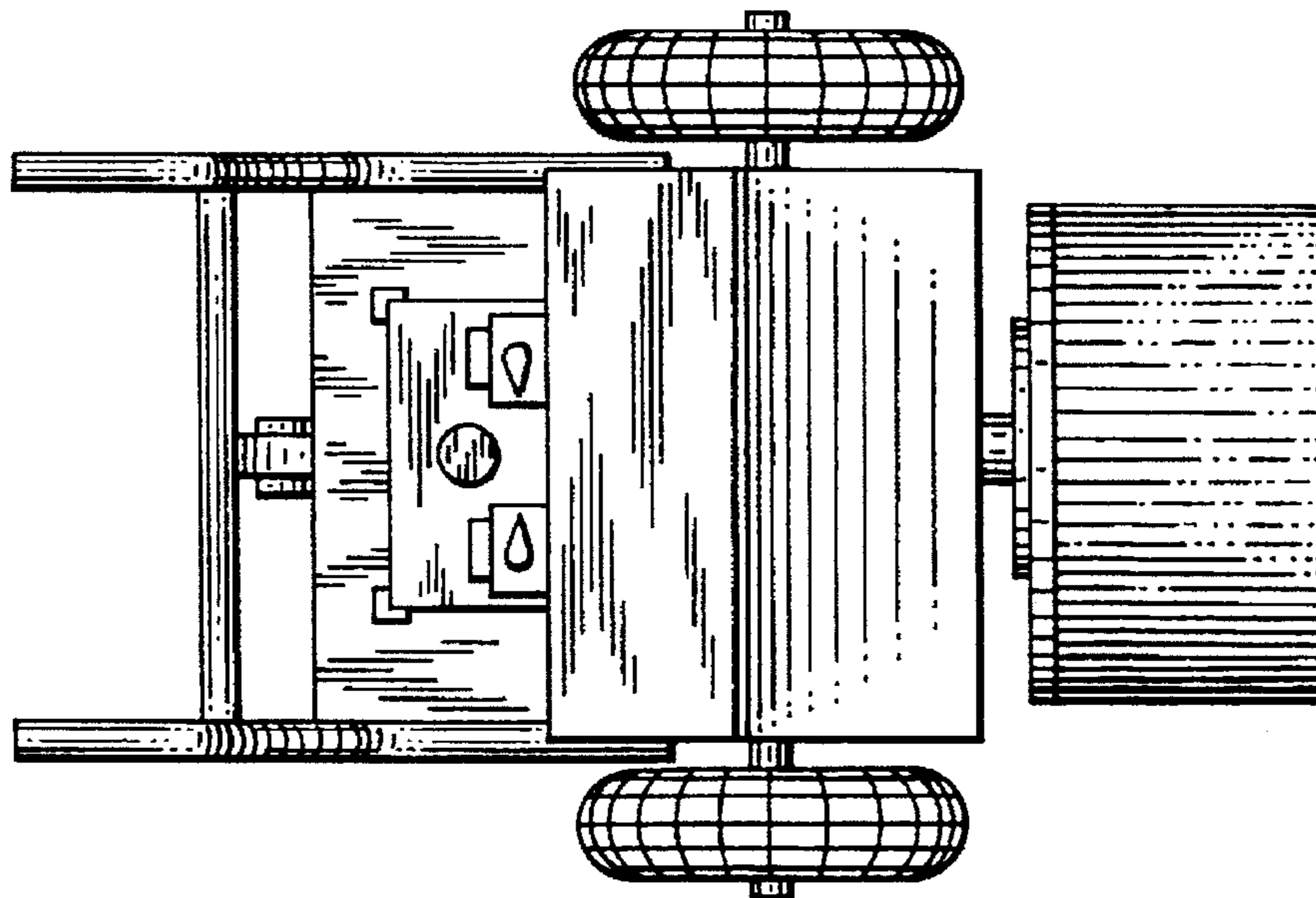


FIG. 2

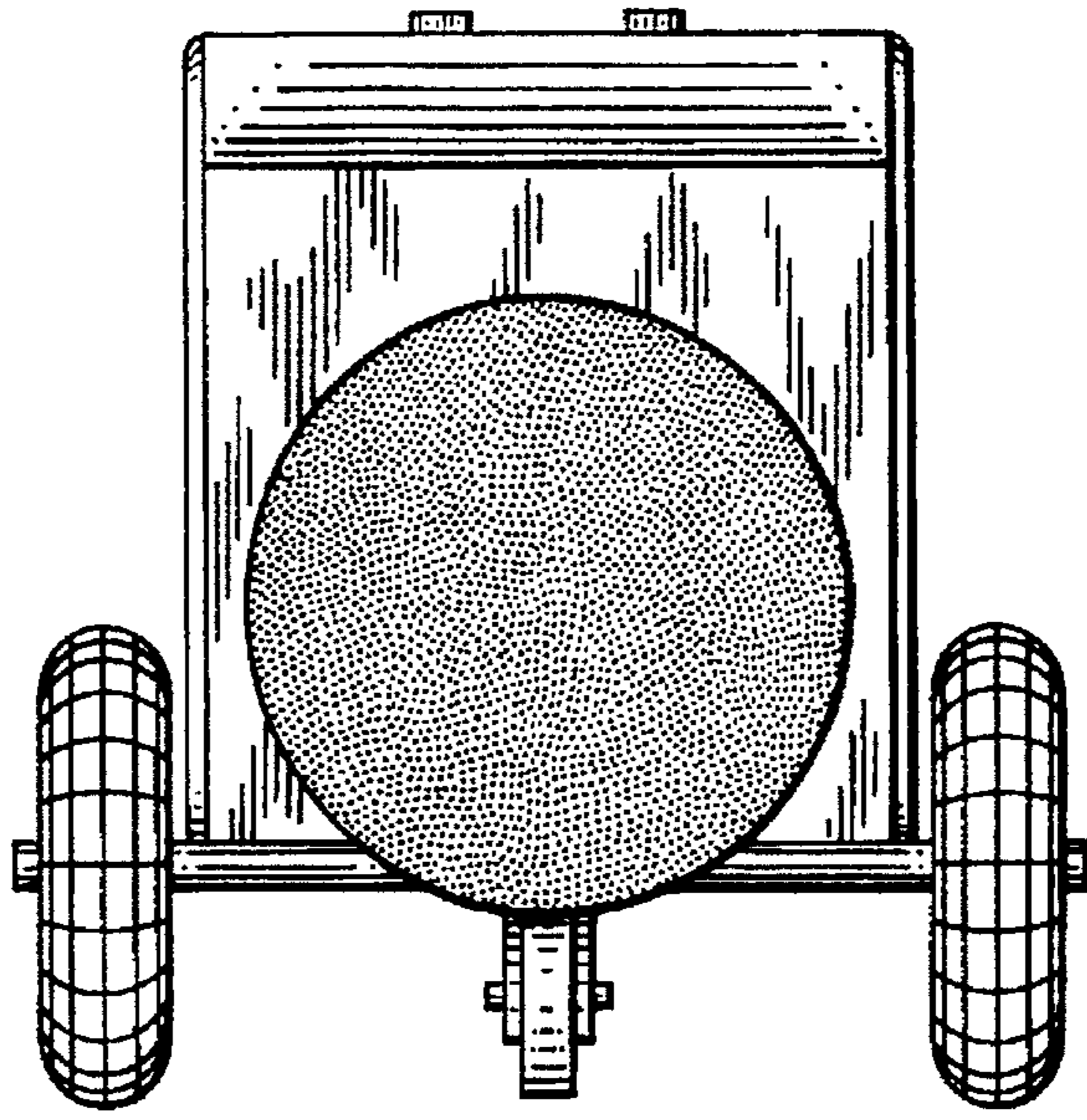


FIG. 3

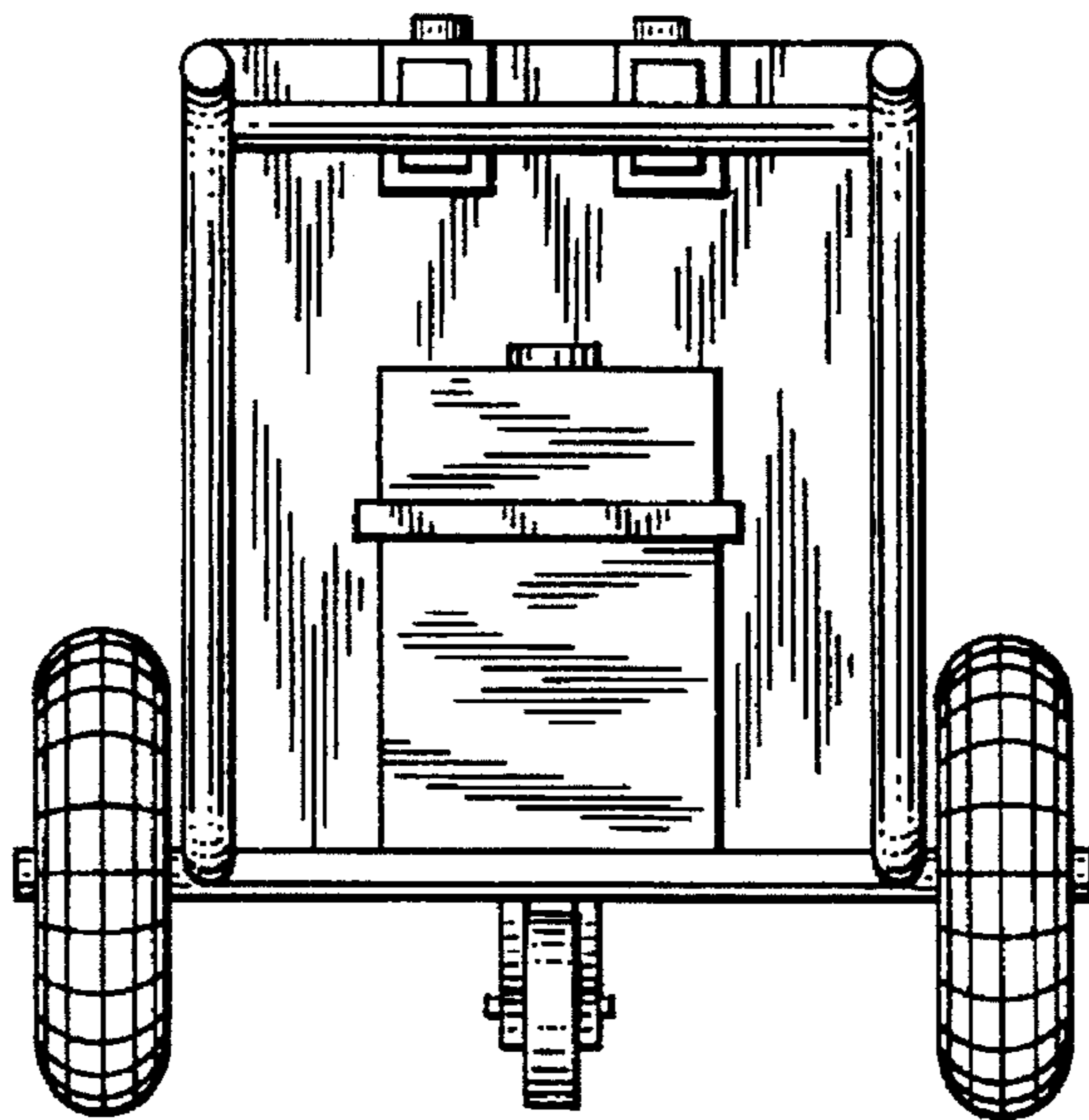


FIG. 4

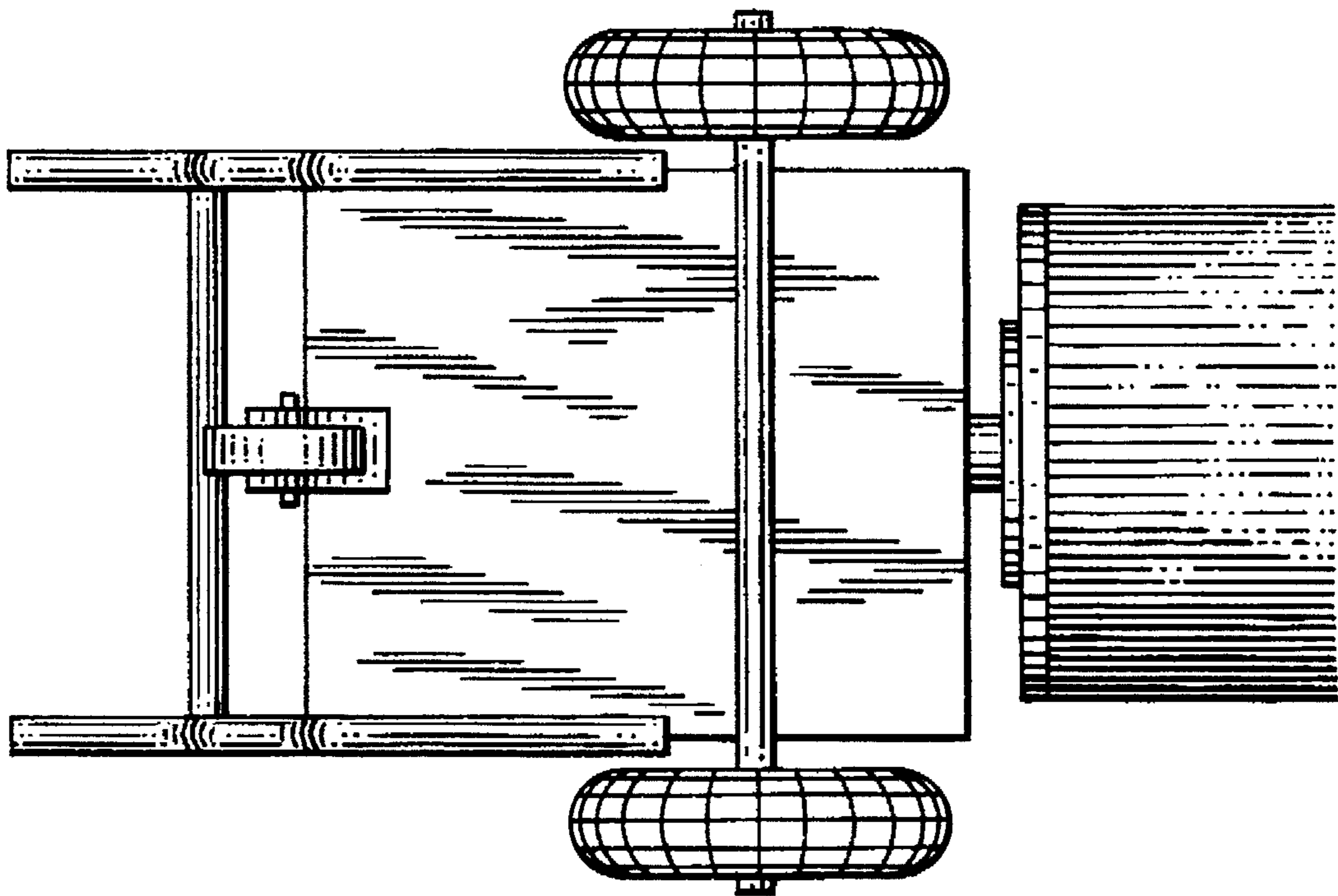


FIG. 5