



US00D381136S

# United States Patent [19] Savicki

[11] Patent Number: **Des. 381,136**

[45] Date of Patent: **\*\*Jul. 15, 1997**

[54] **LITTER BOX**  
[75] Inventor: **Alan Francis Savicki**, South Windsor,  
Conn.  
[73] Assignee: **First Brands Corporation**, Danbury,  
Conn.  
[\*\*] Term: **14 Years**

4,846,104 7/1989 Pierson, Jr. .... 119/166  
4,934,317 6/1990 Pourshalchi .... 119/165  
5,259,340 11/1993 Arbogasht .... 119/165  
5,402,751 4/1995 De La Chevrotiere .... 119/166  
5,507,252 4/1996 Ebert .... 119/166  
5,522,347 6/1996 Merino .... 119/165

*Primary Examiner*—Cathy Anne MacCormac  
*Attorney, Agent, or Firm*—Gary L. Wamer, Esq.

[21] Appl. No.: **50,714**  
[22] Filed: **Feb. 23, 1996**

[57] **CLAIM**  
The design for a litter box, as shown and described.

[51] **LOC (6) Cl.** ..... **30-99**  
[52] **U.S. Cl.** ..... **D30/161; 119/166**  
[58] **Field of Search** ..... 119/165-166;  
D30/108-109, 161

### DESCRIPTION

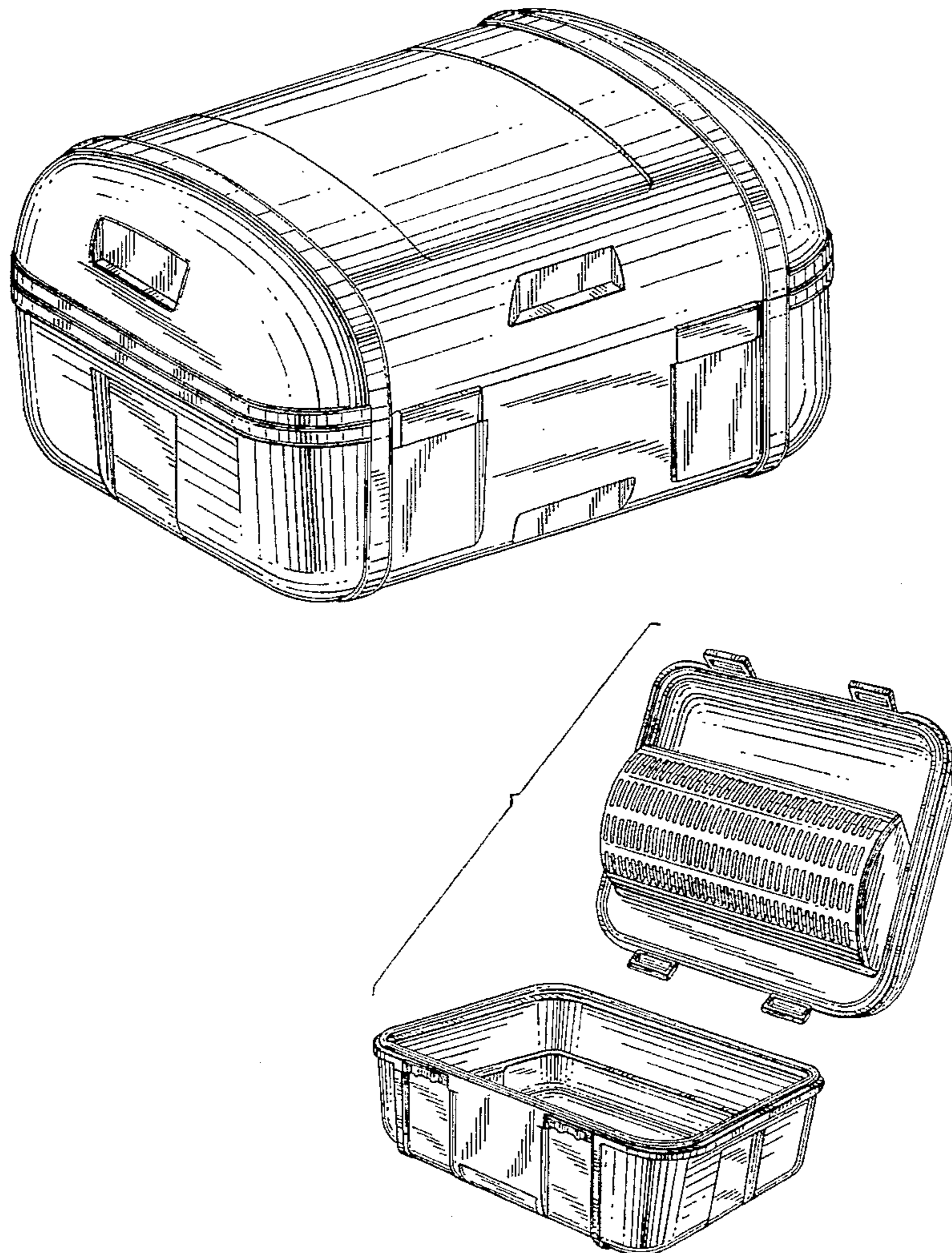
FIG. 1 is a front perspective view of a litter box showing my new design;  
FIG. 2 is a top plan view thereof;  
FIG. 3 is a front elevational view thereof;  
FIG. 4 is a an end elevational view thereof;  
FIG. 5 is a rear elevational view thereof;  
FIG. 6 is an opposite end elevational view thereof;  
FIG. 7 is a bottom plan view; and,  
FIG. 8 is an exploded front perspective view of part of the inside of the litter box.

### [56] References Cited

#### U.S. PATENT DOCUMENTS

D. 361,649 8/1995 De La Chevrotiere ..... D30/161  
D. 370,316 5/1996 Merino ..... D30/161  
3,613,639 10/1971 Lee ..... D30/108  
4,096,827 6/1978 Cotter ..... 119/166  
4,190,525 2/1980 Menzel ..... 119/166

**1 Claim, 6 Drawing Sheets**



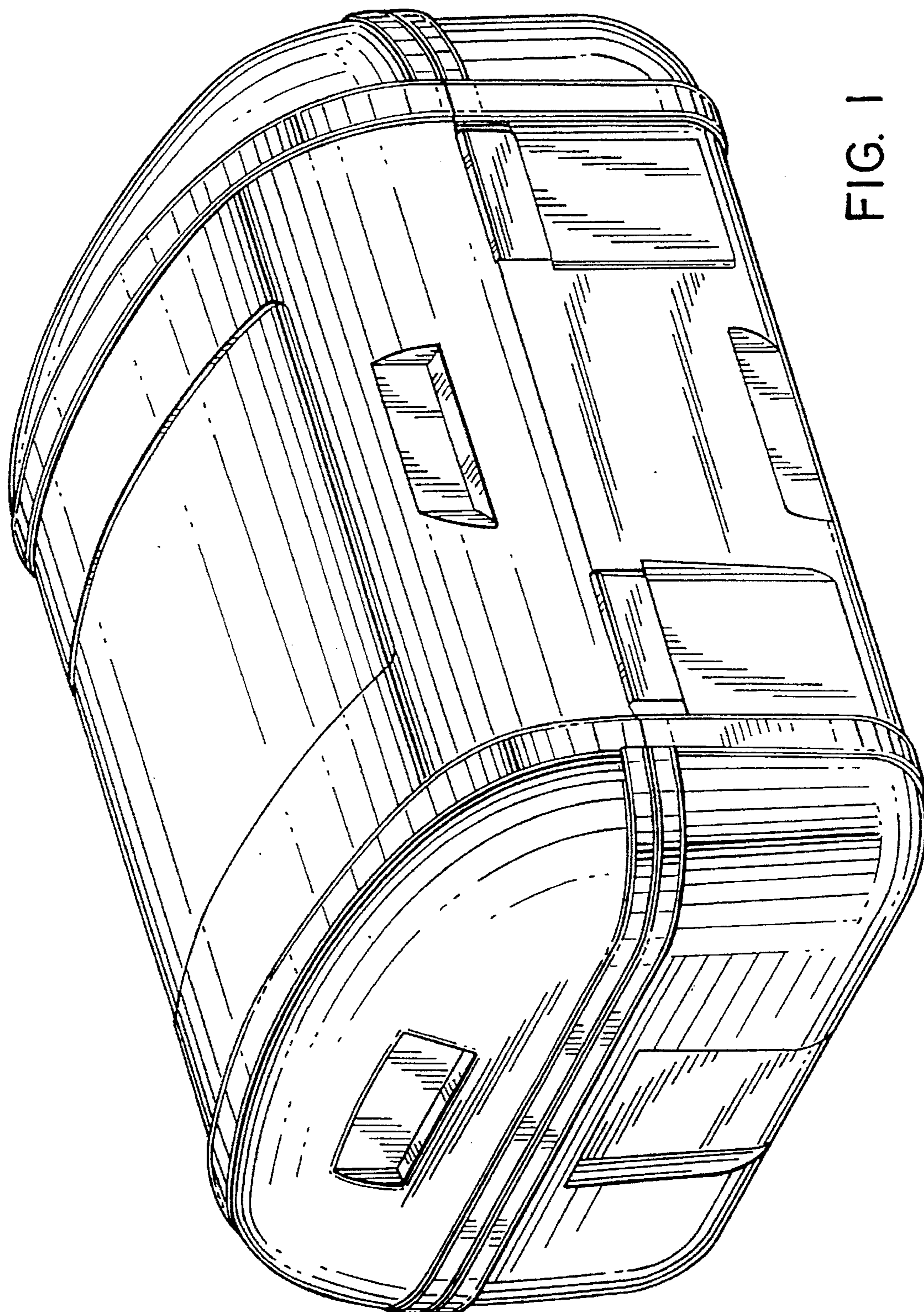
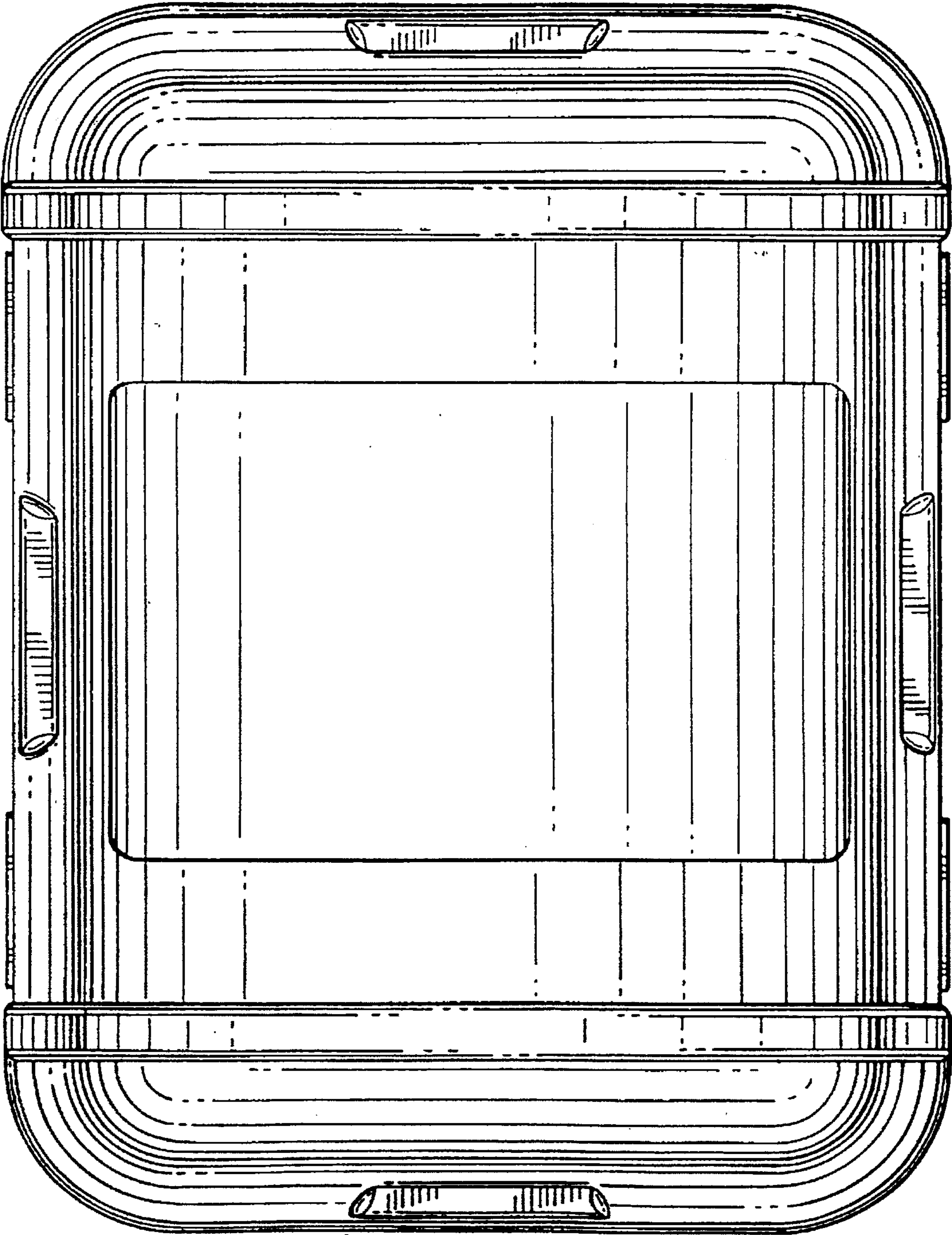


FIG. 1

FIG. 2



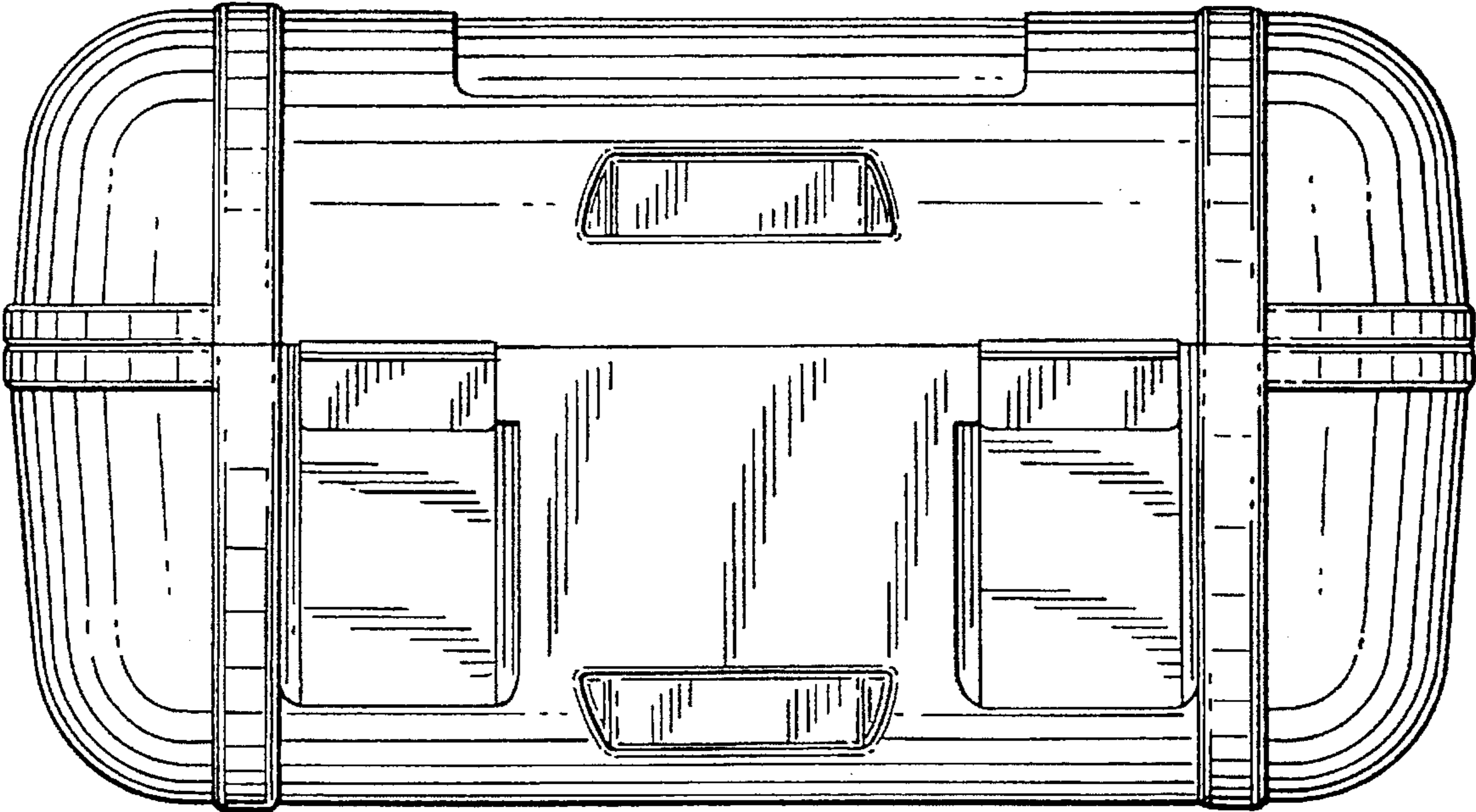


FIG. 3

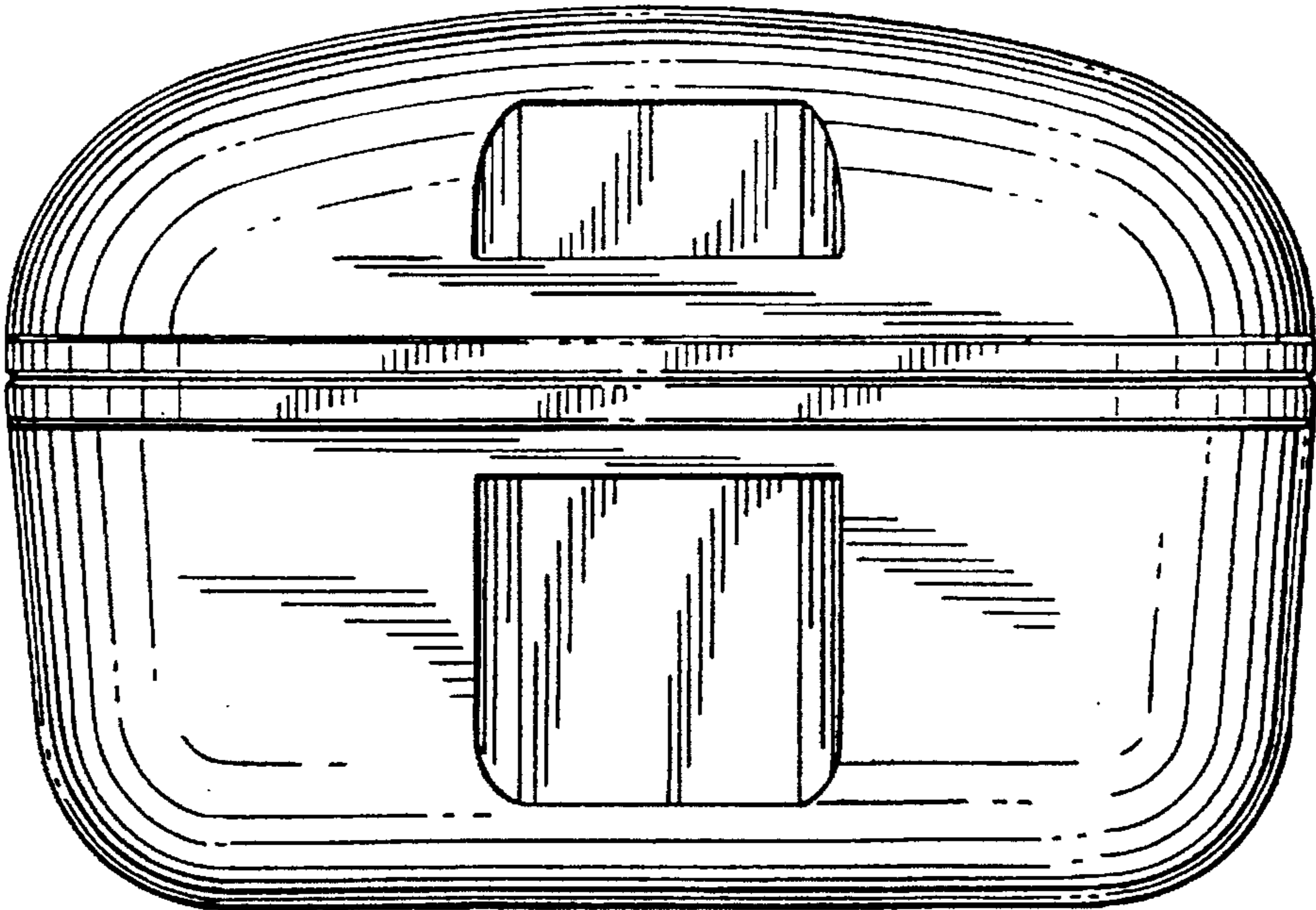


FIG. 4

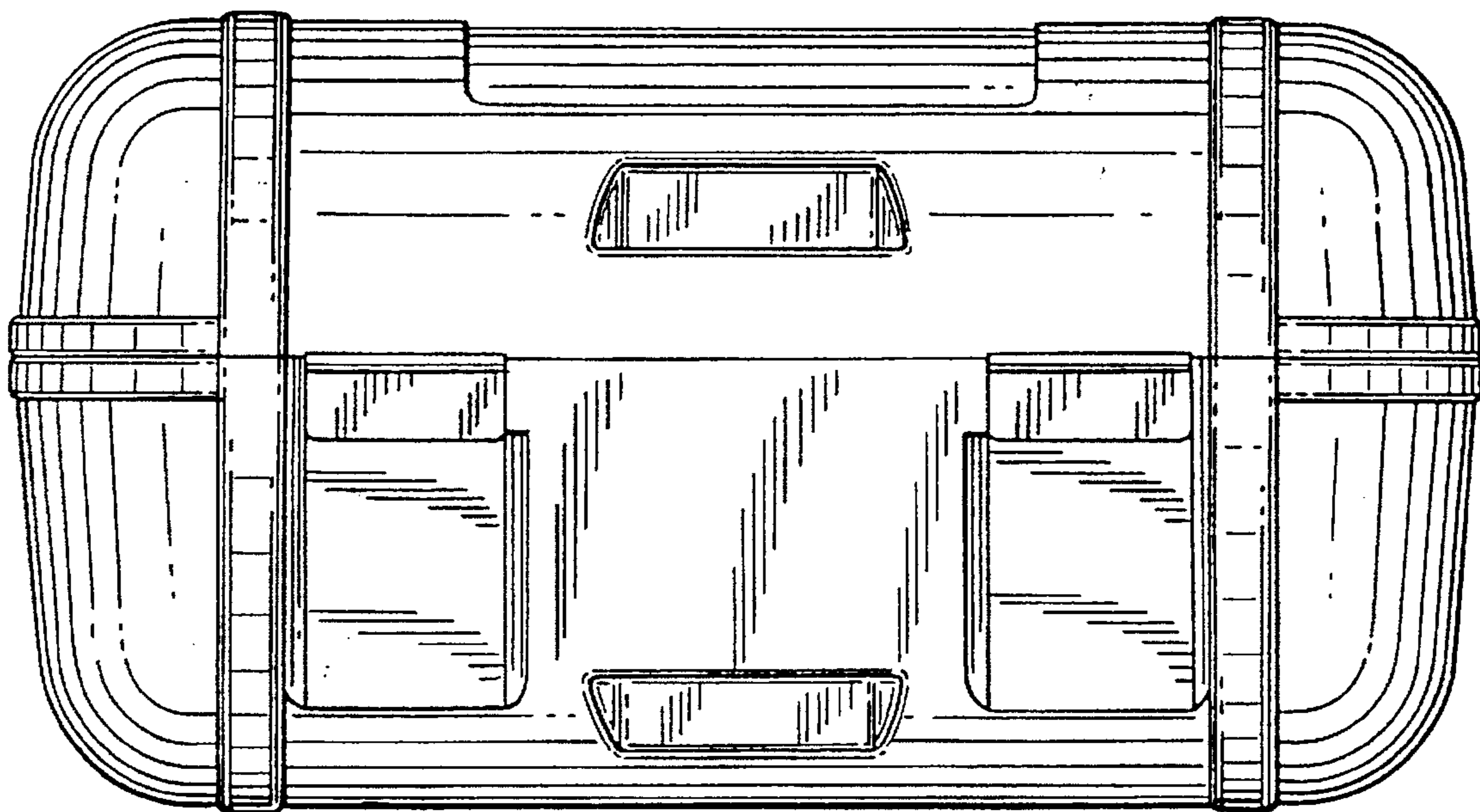


FIG. 5

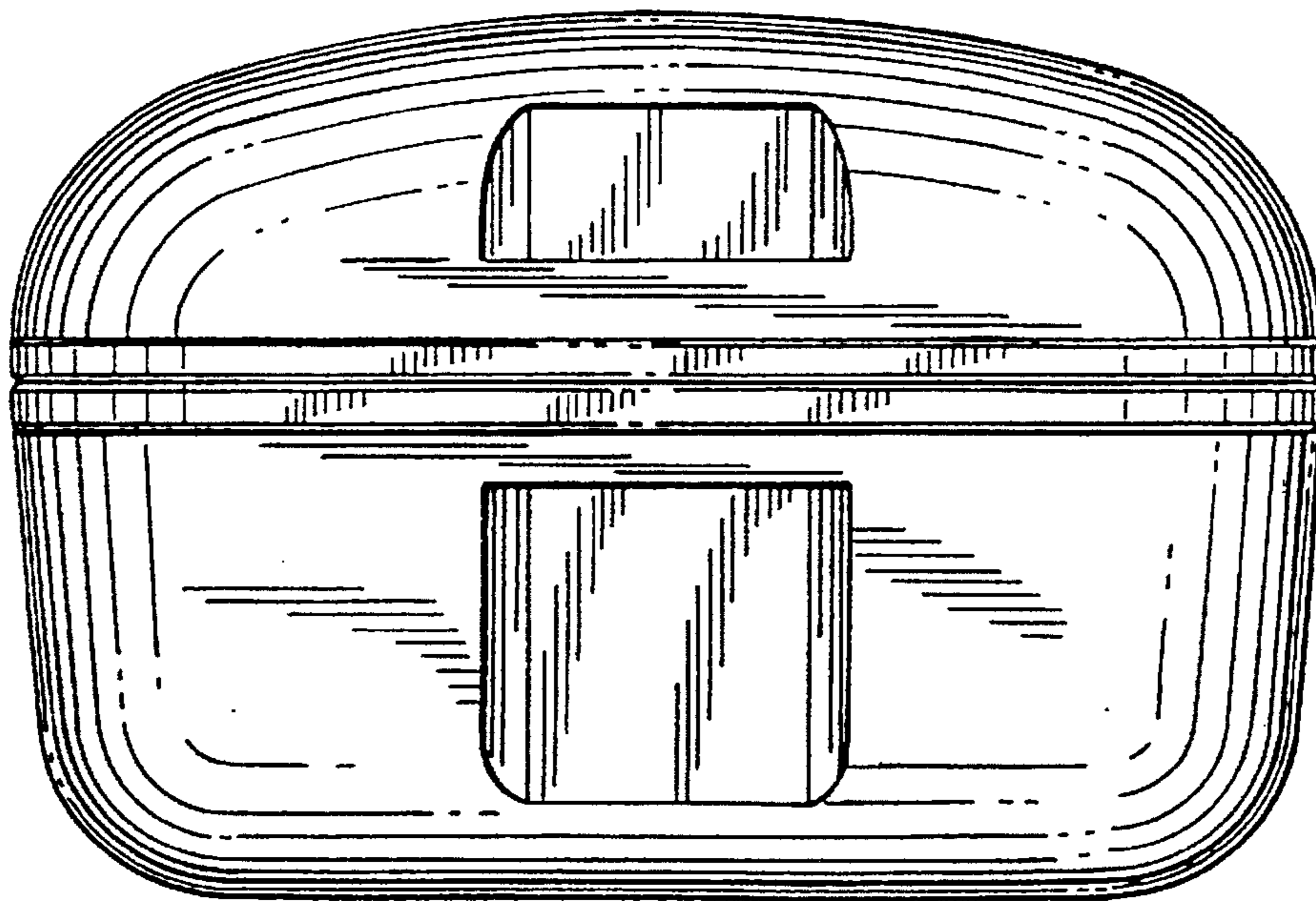


FIG. 6

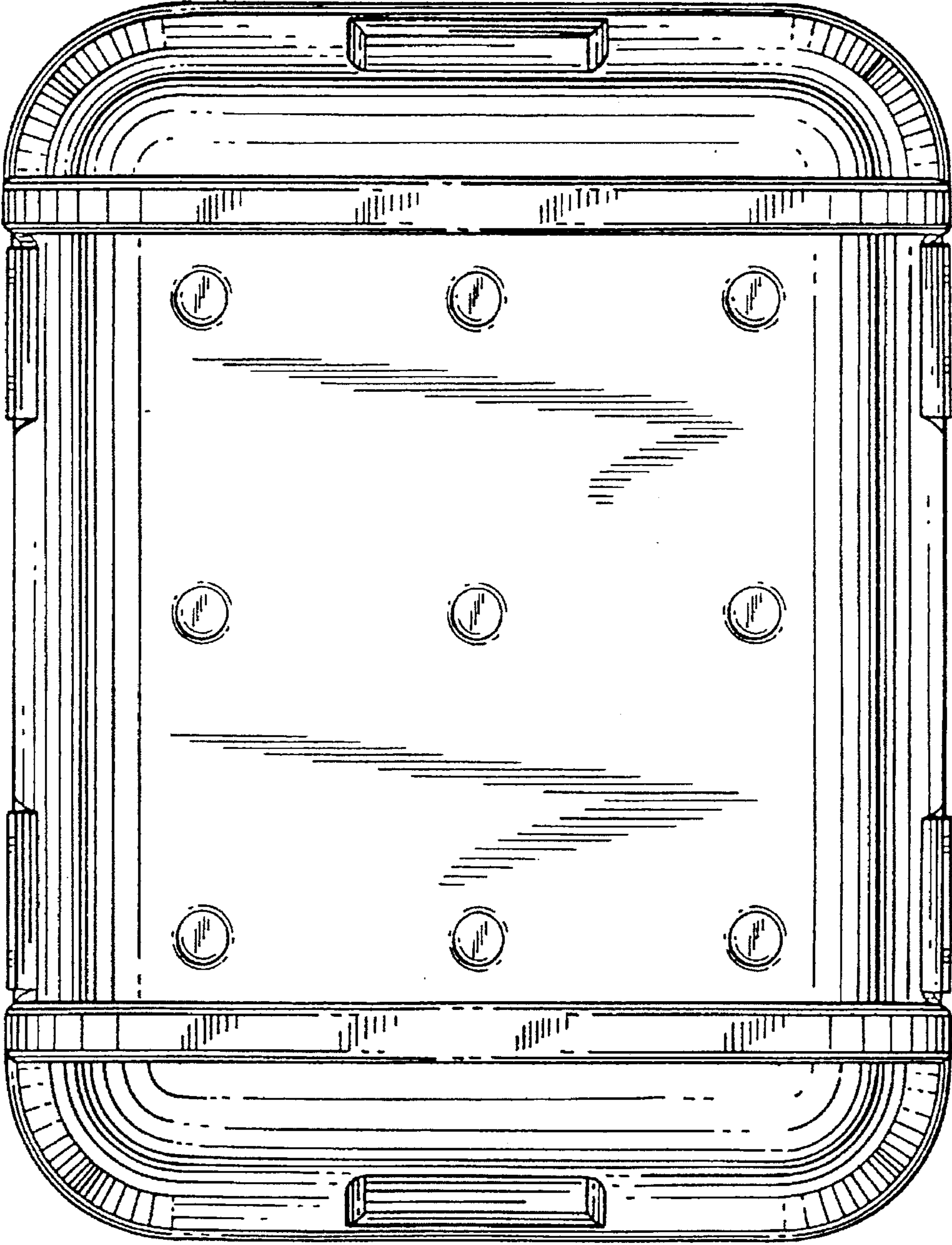


FIG. 7

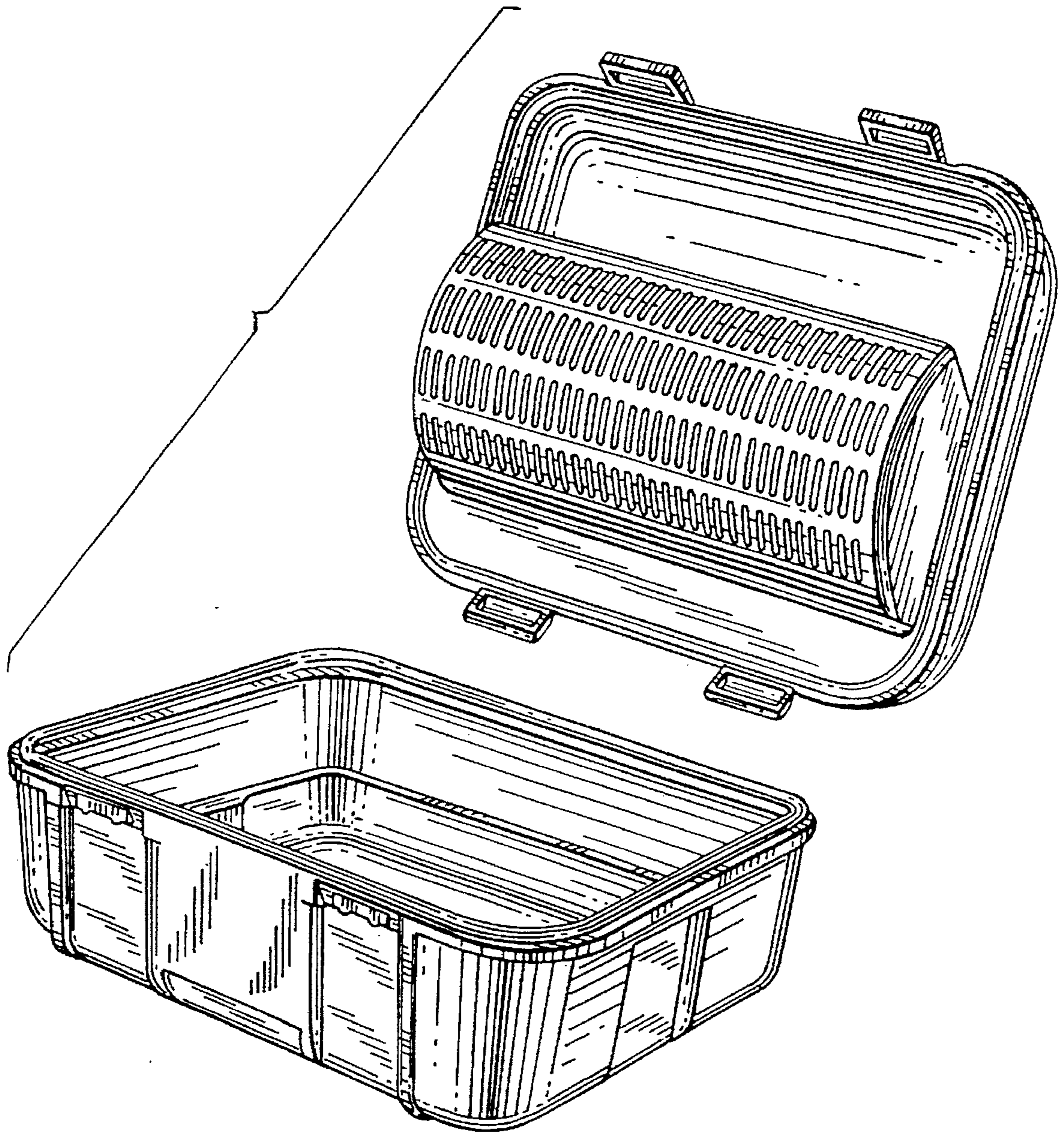


FIG. 8