



US00D381134S

**United States Patent** [19]  
**Alford et al.**

[11] **Patent Number: Des. 381,134**  
[45] **Date of Patent: \*\*Jul. 15, 1997**

[54] **HORSE GATE**  
[76] Inventors: **Pamela J. Alford**, Rte. 2, Box 1775;  
**Richard D. Jackson**, P.O. Box 119,  
both of Marble Hill, Mo. 63764  
[\*\*] Term: **14 Years**  
[21] Appl. No.: **45,250**  
[22] Filed: **Oct. 13, 1995**  
[51] LOC (6) Cl. .... **30-02**  
[52] U.S. Cl. .... **D30/119; D25/50**  
[58] Field of Search ..... **D25/50; 49/177,**  
**49/104, 191; D30/119; 119/16, 27**

383,705 5/1888 Cointe .  
928,798 7/1909 Rowe .  
967,754 8/1910 Gifford .  
1,132,438 3/1915 Carr .  
1,141,110 6/1915 Ellwood .  
1,189,410 7/1916 Van Every .  
1,200,879 10/1916 Harrison .  
1,218,077 3/1917 Goff ..... 49/191  
3,022,045 2/1962 Silvers .

*Primary Examiner*—Doris Clark  
*Attorney, Agent, or Firm*—Grace J. Fishel

[57] **CLAIM**

The ornamental design for a horse gate, as shown.

**DESCRIPTION**

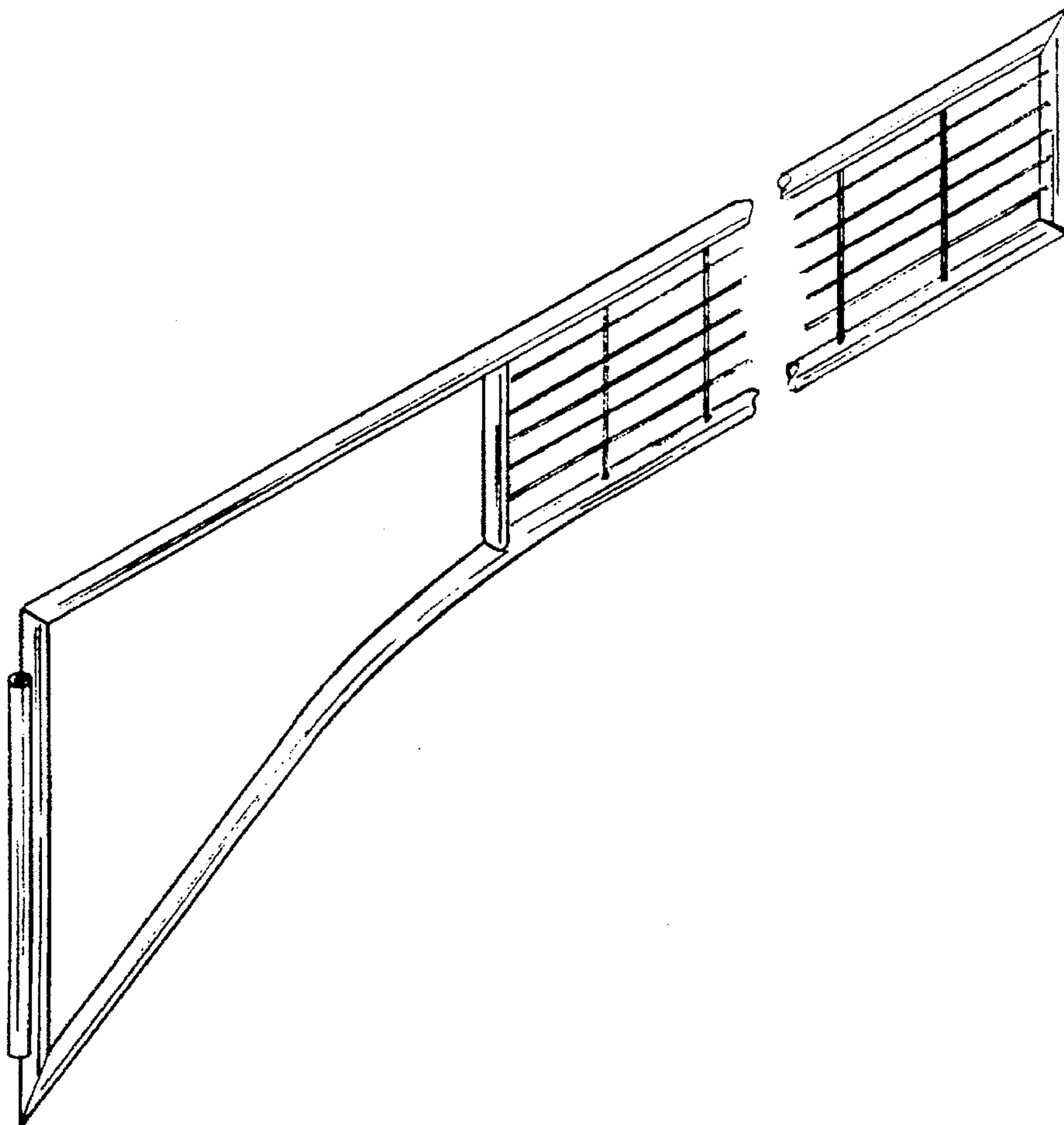
FIG. 1 is a perspective view of a horse gate showing our new design;  
FIG. 2 is a front view thereof;  
FIG. 3 is a top view thereof;  
FIG. 4 is a bottom view thereof;  
FIG. 5 is a rear view thereof;  
FIG. 6 is a right side view thereof as viewed in FIG. 2; and,  
FIG. 7 is a left side thereof as viewed in FIG. 2.  
The horse gate is broken in the center to indicate indeterminate length.

**1 Claim, 2 Drawing Sheets**

[56] **References Cited**

**U.S. PATENT DOCUMENTS**

- D. 237,722 11/1975 Kratky .
- D. 239,543 4/1976 Kratky .
- D. 242,547 11/1976 Monroe ..... D25/50
- D. 244,459 5/1977 Kratky ..... D25/50
- D. 273,903 5/1984 Wilcenski et al. .... D30/119
- D. 286,690 11/1986 Priefert ..... D30/2
- D. 300,949 5/1989 Johnson, Jr. .... D25/50
- D. 301,621 6/1989 Muntz et al. .... D25/50
- D. 330,609 10/1992 Moreau et al. .... D30/119
- D. 352,573 11/1994 Sampson et al. .... D30/119



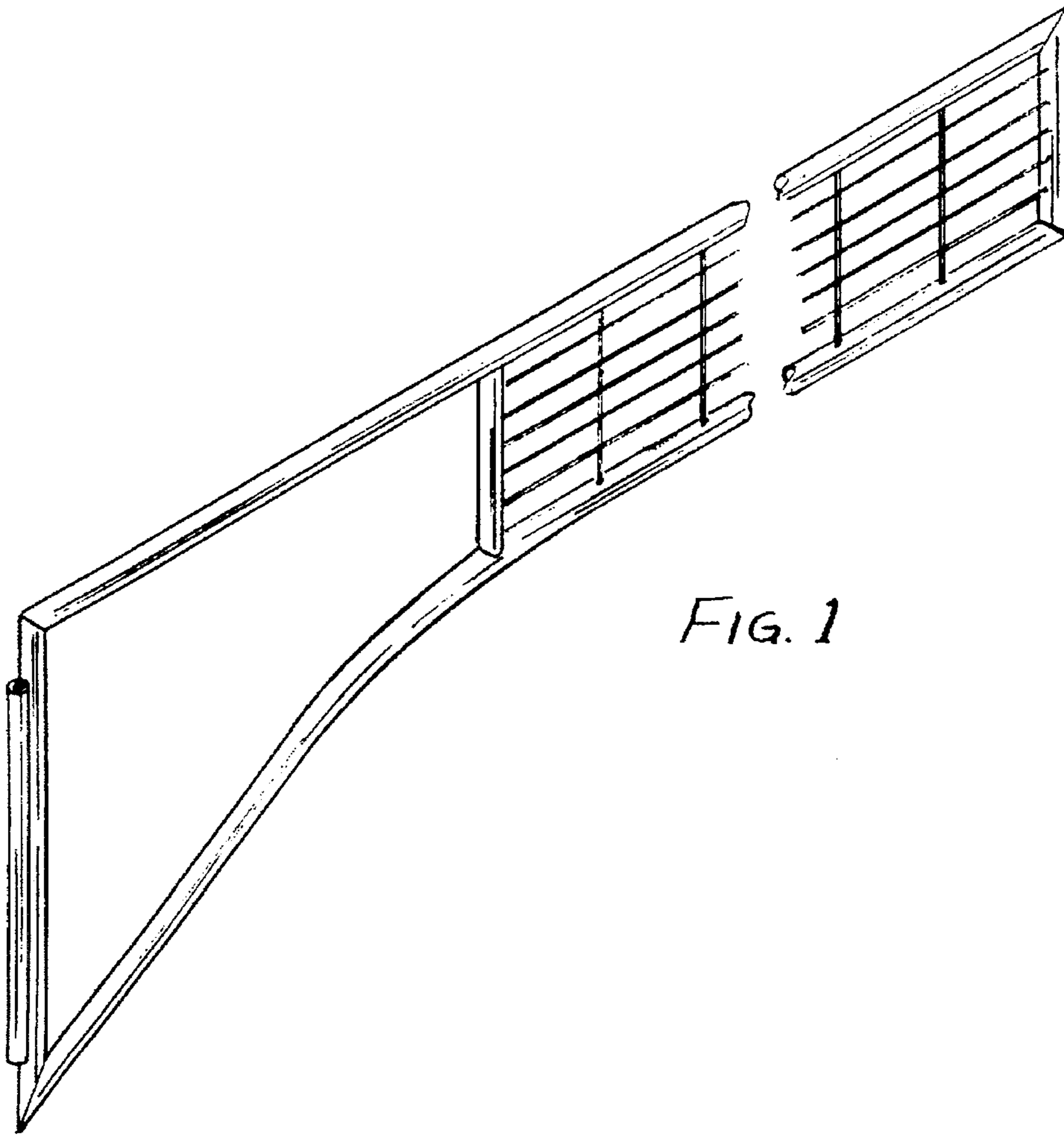


FIG. 1

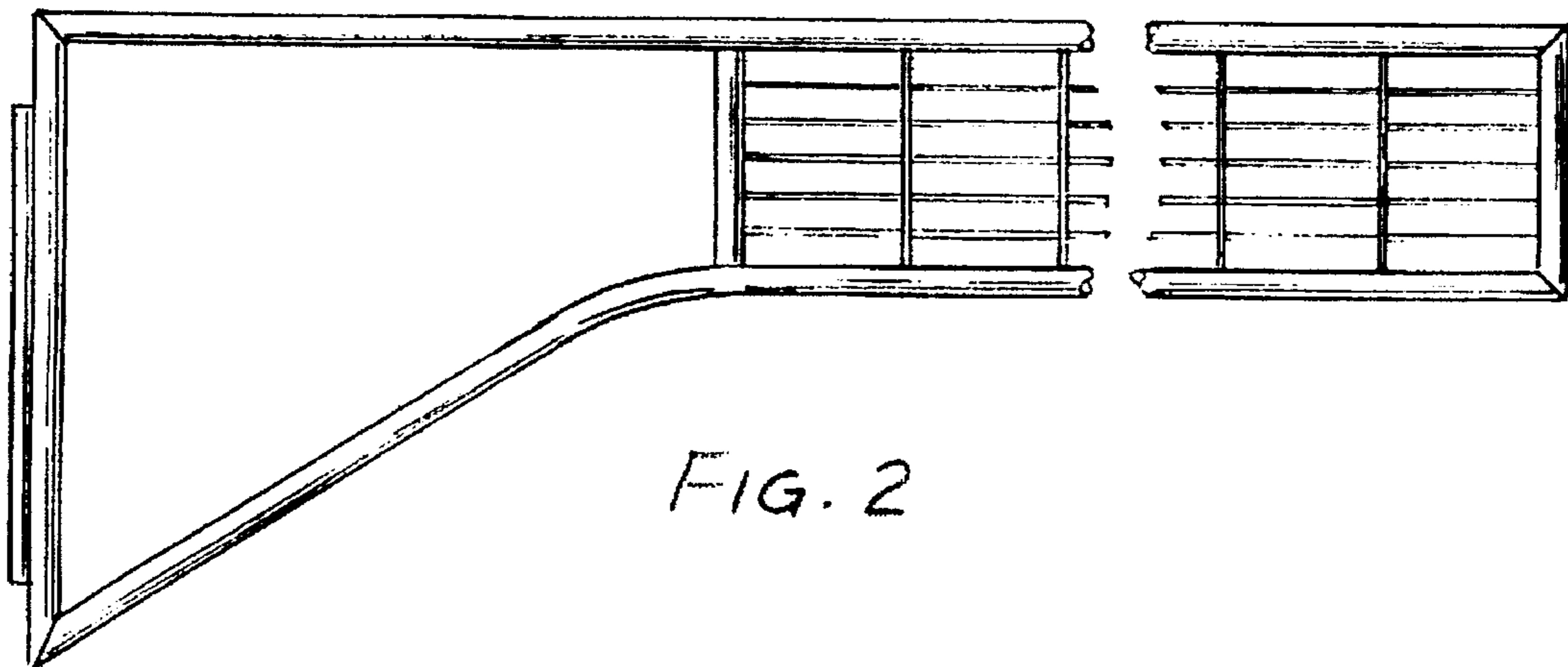


FIG. 2

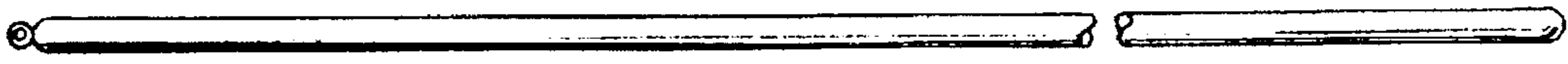


FIG. 3

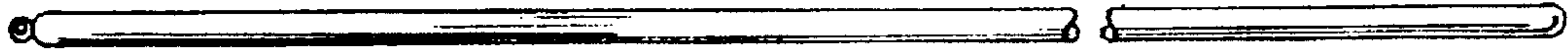


FIG. 4

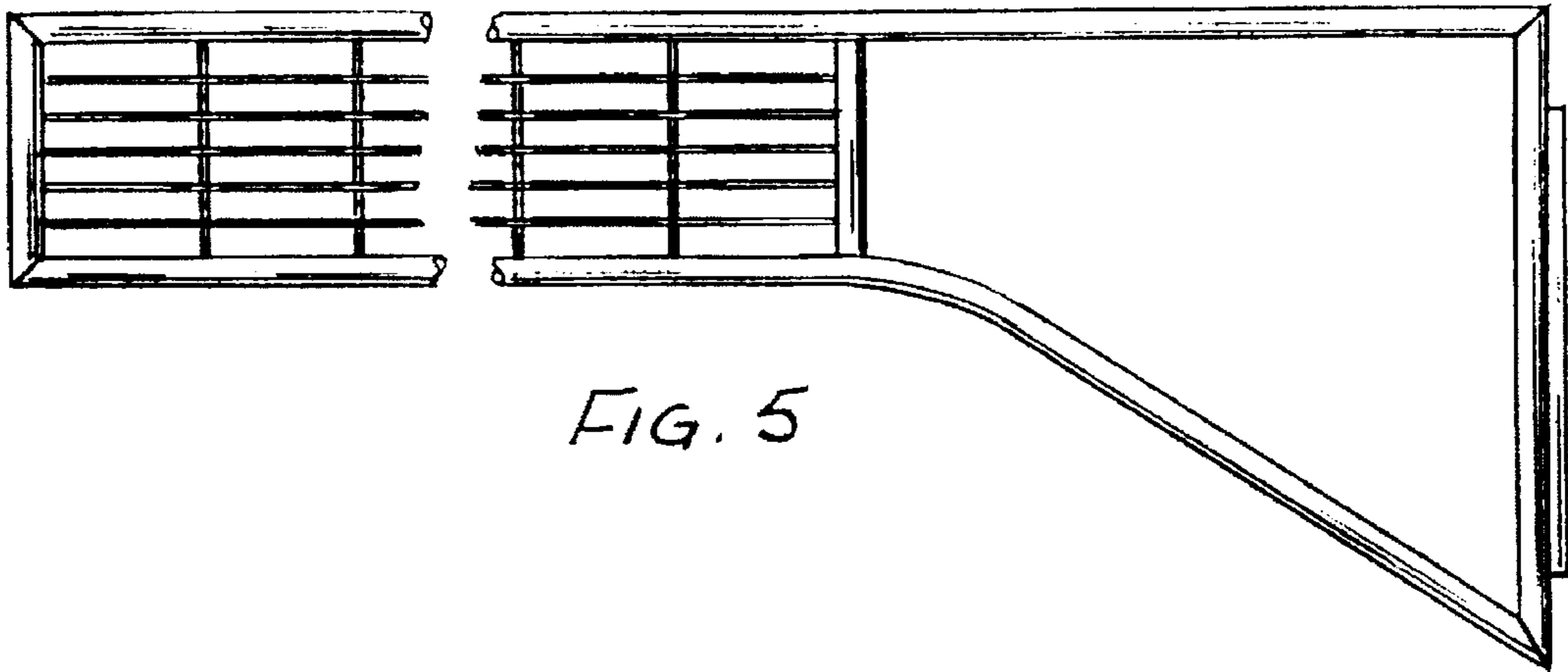


FIG. 5



FIG. 6



FIG. 7

UNITED STATES PATENT AND TRADEMARK OFFICE  
CERTIFICATE OF CORRECTION

PATENT NO. : **Des. 381,134**

Page 1 of 4

DATED : **July 15, 1997**

INVENTOR(S) : **Pamela J. Alford and Richard D. Jackson**

It is certified that error appears in the above-identified patent and that said Letters Patent is hereby corrected as shown below:

The title page, should be deleted to be replaced with the attached title page.

The drawing sheets, consisting of Figs. 1 - 7 should be deleted to be replaced with the drawing sheets, consisting of Figs. 1 - 7, as shown on the attached pages.

Signed and Sealed this

Sixth Day of January, 1998



BRUCE LEHMAN

Commissioner of Patents and Trademarks

Attest:

Attesting Officer



**United States Patent** [19]

Alford et al.

[11] **Patent Number:** **Des. 381,134**

[45] **Date of Patent:** **\*\*Jul. 15, 1997**

[54] **HORSE GATE**

[76] **Inventors:** Pamela J. Alford, Rte. 2, Box 1775;  
Richard D. Jackson, P.O. Box 119,  
both of Marble Hill, Mo. 63764

[\*\*] **Term:** 14 Years

[21] **Appl. No.:** 45,250

[22] **Filed:** Oct. 13, 1995

[51] **LOC (6) CL** ..... 30-02

[52] **U.S. CL** ..... D30/119; D25/50

[58] **Field of Search** ..... D25/50; 49/177,  
49/104, 191; D30/119; 119/16, 27

[56] **References Cited**

**U.S. PATENT DOCUMENTS**

D. 237,722	11/1975	Kratky .	
D. 239,543	4/1976	Kratky .	
D. 242,547	11/1976	Monroe .....	D25/50
D. 244,459	5/1977	Kratky .....	D25/50
D. 273,903	5/1984	Wilcenski et al. ....	D30/119
D. 286,690	11/1986	Priefert .....	D30/2
D. 300,949	5/1989	Johnson, Jr. ....	D25/50
D. 301,621	6/1989	Muntz et al. ....	D25/50
D. 330,609	10/1992	Moreau et al. ....	D30/119
D. 352,573	11/1994	Sampson et al. ....	D30/119

383,705	5/1888	Coiste .	
928,798	7/1909	Rowe .	
967,754	8/1910	Gifford .	
1,132,438	3/1915	Carr .	
1,141,110	6/1915	Ellwood .	
1,189,410	7/1916	Van Every .	
1,200,879	10/1916	Harrison .	
1,218,077	3/1917	Goff .....	49/191
3,022,045	2/1962	Silvers .	

*Primary Examiner*—Doris Clark  
*Attorney, Agent, or Firm*—Grace J. Fishel

[57] **CLAIM**

The ornamental design for a horse gate, as shown.

**DESCRIPTION**

FIG. 1 is a perspective view of a horse gate showing our new design;

FIG. 2 is a front view thereof;

FIG. 3 is a top view thereof;

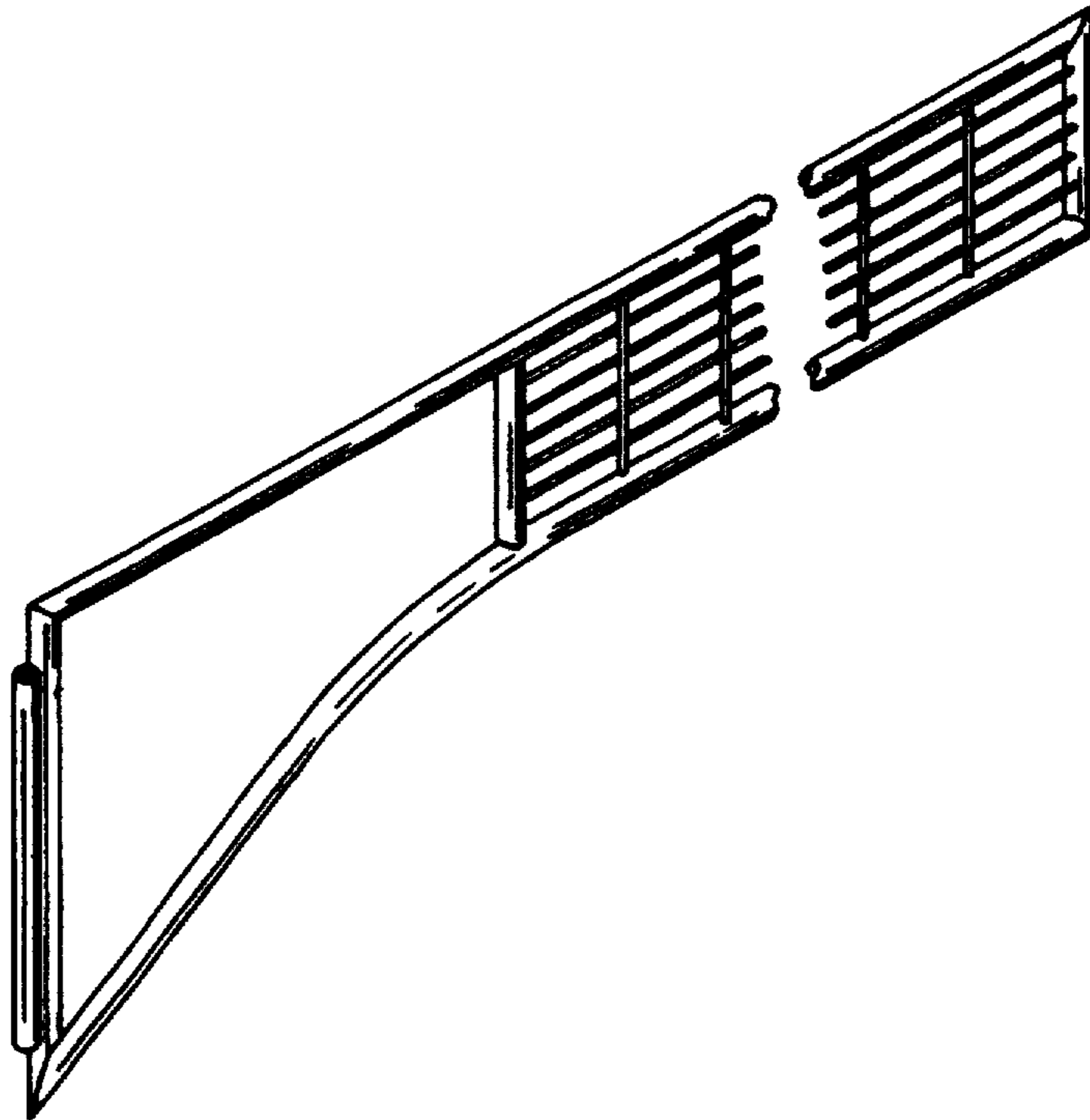
FIG. 4 is a bottom view thereof;

FIG. 5 is a rear view thereof;

FIG. 6 is a right side view thereof as viewed in FIG. 2; and,  
FIG. 7 is a left side view thereof as viewed in FIG. 2.

The horse gate is broken in the center to indicate indeterminate length.

1 Claim, 2 Drawing Sheets



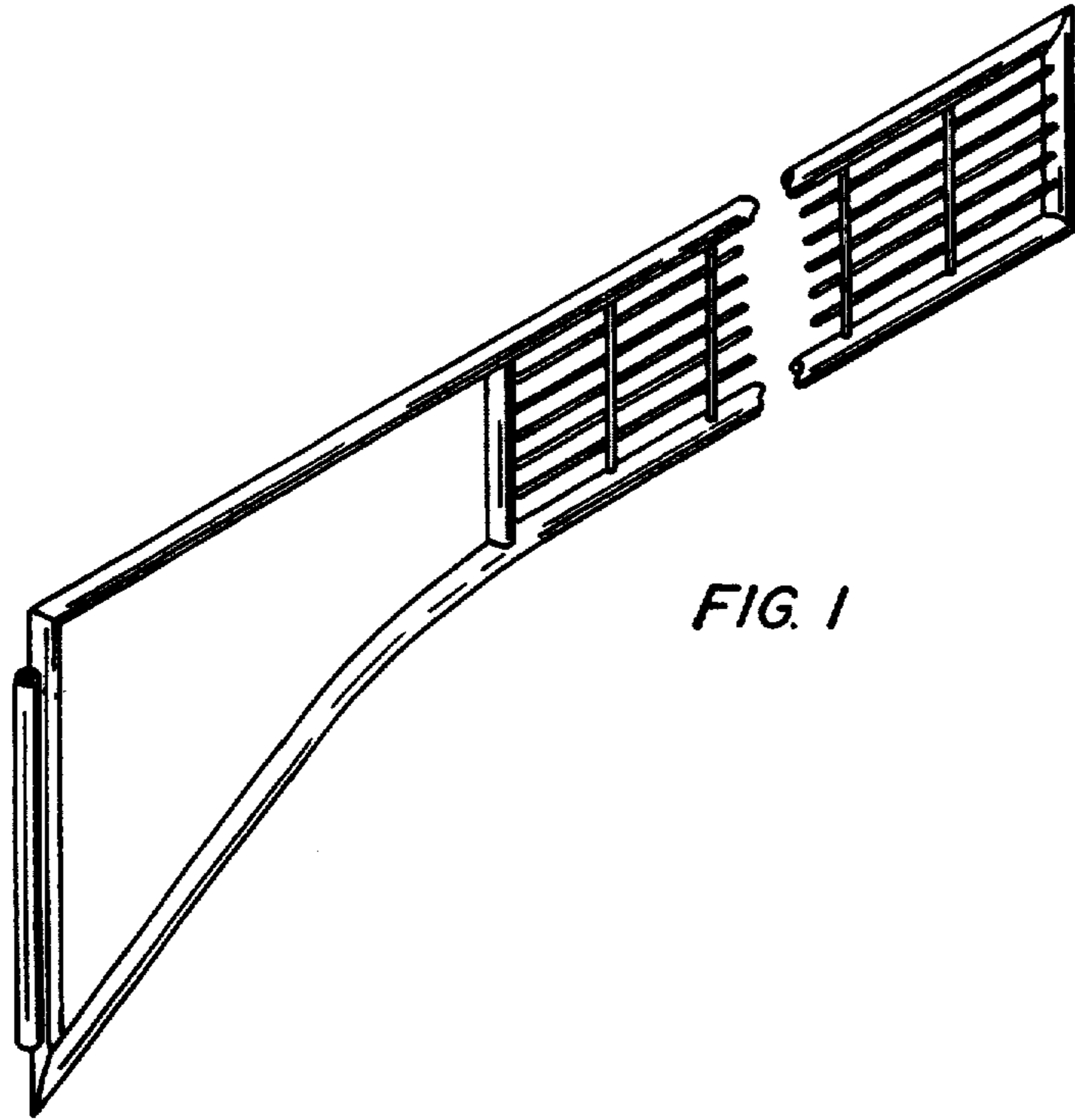


FIG. 1

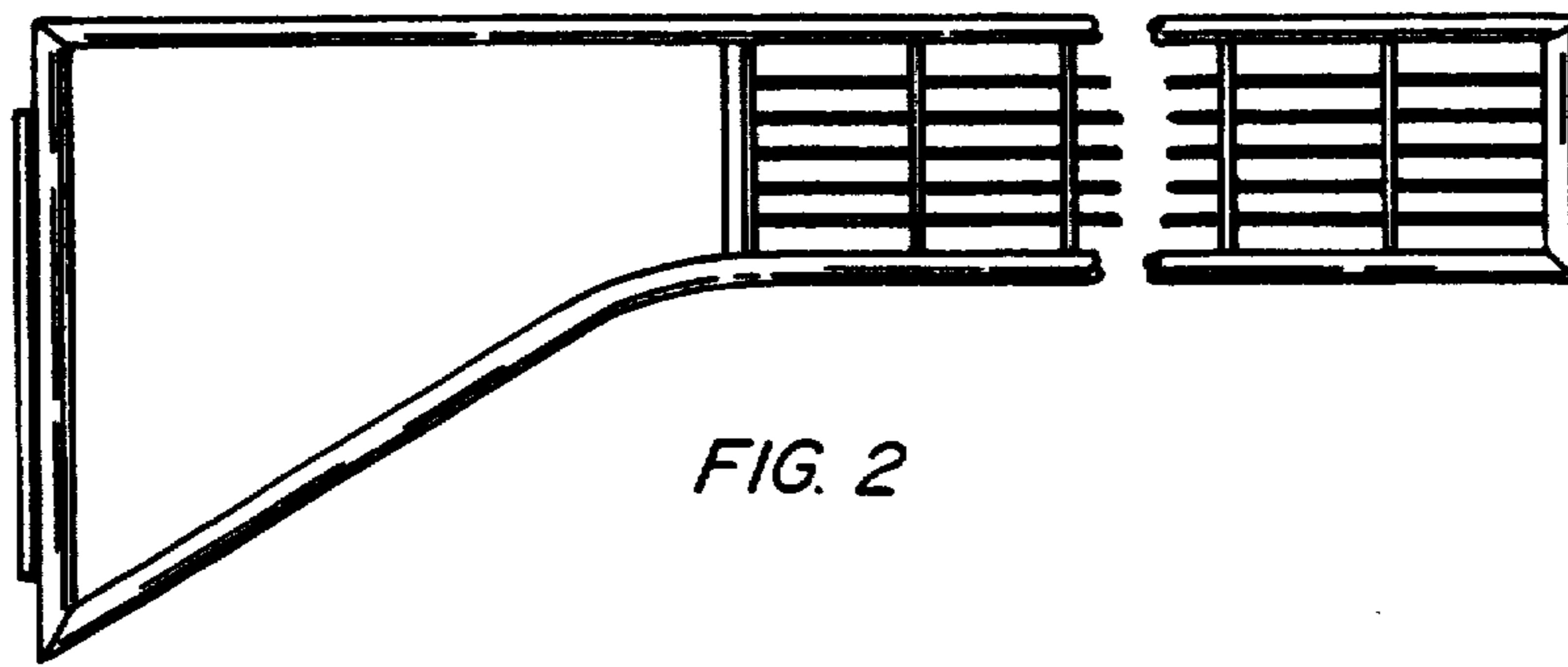


FIG. 2



FIG. 3



FIG. 4

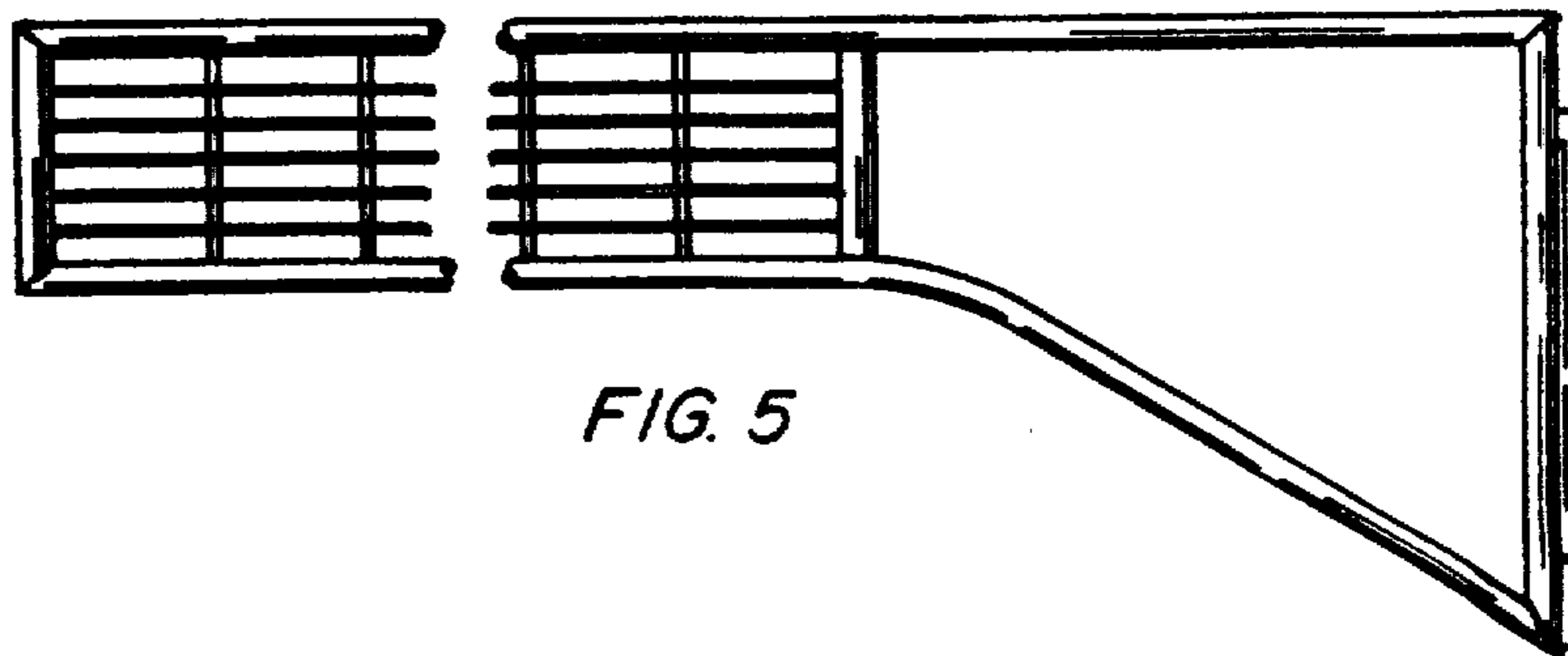


FIG. 5



FIG. 6



FIG. 7