



US00D381133S

United States Patent [19]
Schulte-Frankenfeld

[11] **Patent Number: Des. 381,133**

[45] **Date of Patent: **Jul. 15, 1997**

[54] **FIRE EXTINGUISHER**

[75] Inventor: **Manfred Schulte-Frankenfeld,**
Gutersloh, Germany

[73] Assignee: **Gloria-Werke H. Schulte-Frankenfeld**
GmbH & Co., Wadersloh, Germany

[**] Term: **14 Years**

[21] Appl. No.: **43,855**

[22] Filed: **Sep. 13, 1995**

[30] **Foreign Application Priority Data**

Apr. 4, 1995 [DE] Germany M 95 02 858.7

[51] **LOC (6) Cl. 29-01**

[52] **U.S. Cl. D29/125; D29/126**

[58] **Field of Search D29/125, 126;**
169/30, 71-89; 222/394

[56] **References Cited**

U.S. PATENT DOCUMENTS

4,124,076 11/1978 Howard 169/30

Primary Examiner—Kay H. Chin
Attorney, Agent, or Firm—Charles E. Baxley, Esq.

[57] **CLAIM**

The ornamental design for a fire extinguisher, as shown and described.

DESCRIPTION

FIG. 1 is a right front downward perspective view of a fire extinguisher according to my new design;

FIG. 2 is a right elevational view thereof;

FIG. 3 is a left elevational view thereof;

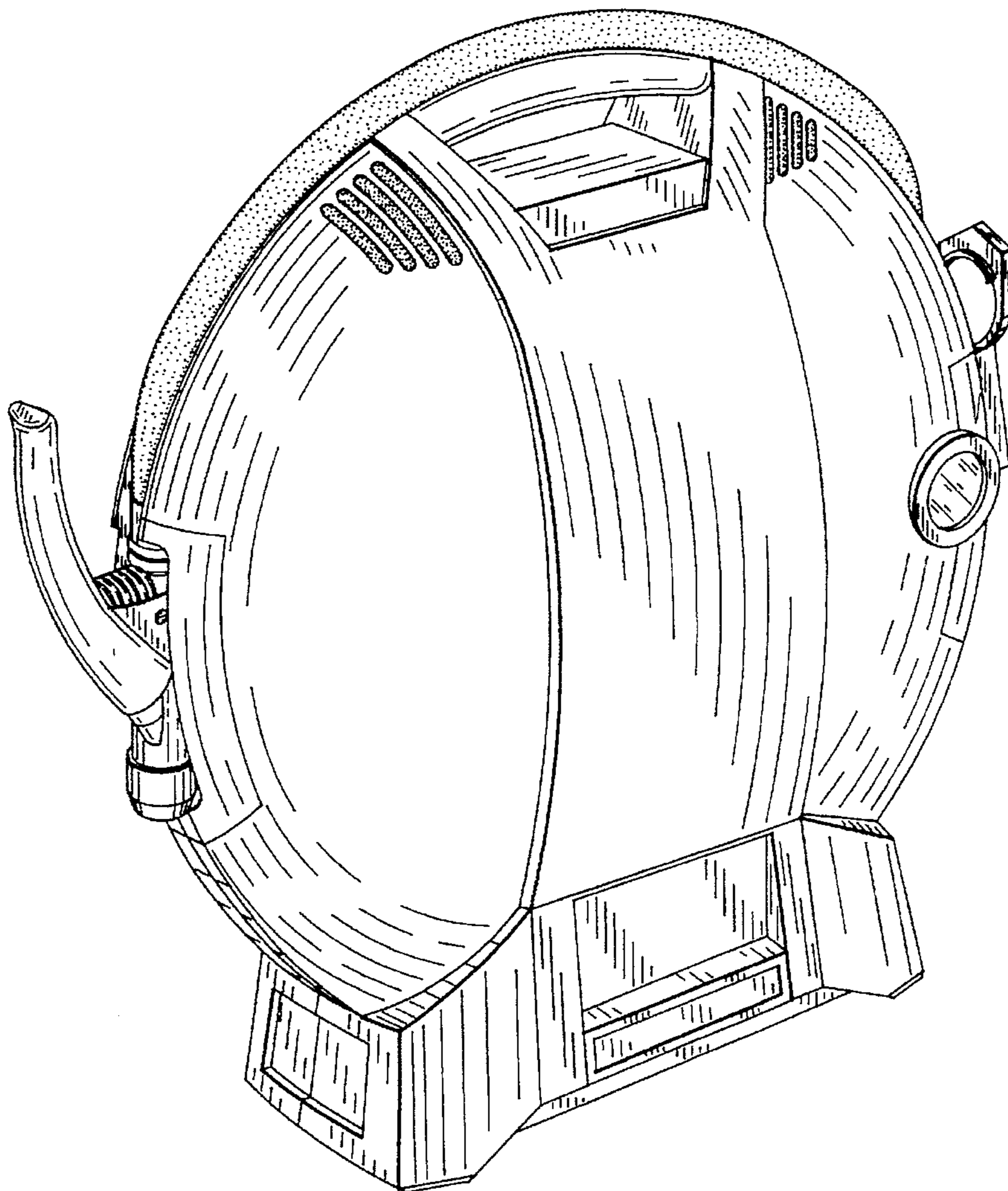
FIG. 4 is a front elevational view thereof;

FIG. 5 is a rear elevational view thereof;

FIG. 6 is a top plan view thereof; and,

FIG. 7 is a bottom elevational view thereof.

1 Claim, 6 Drawing Sheets



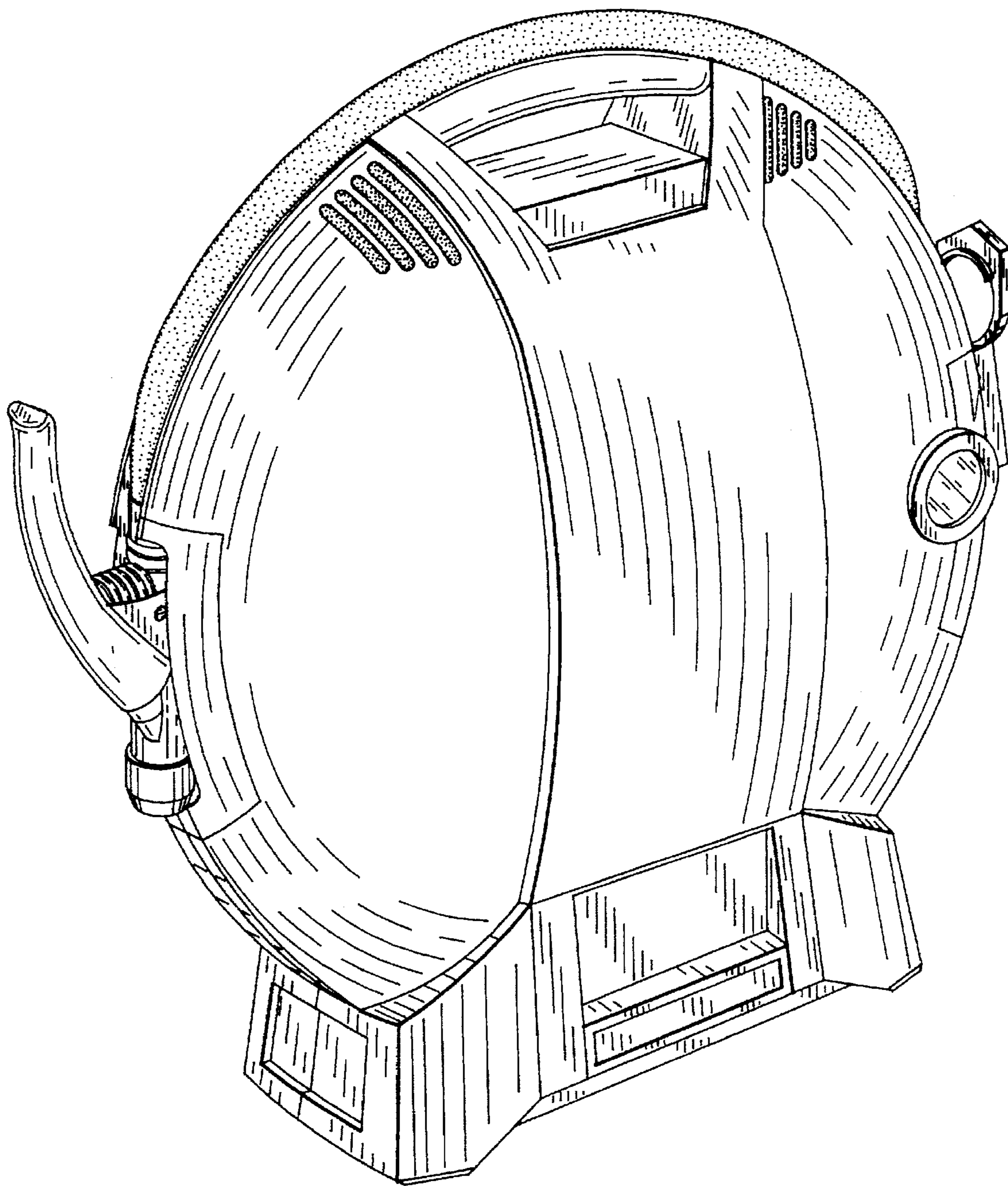


FIG. 1

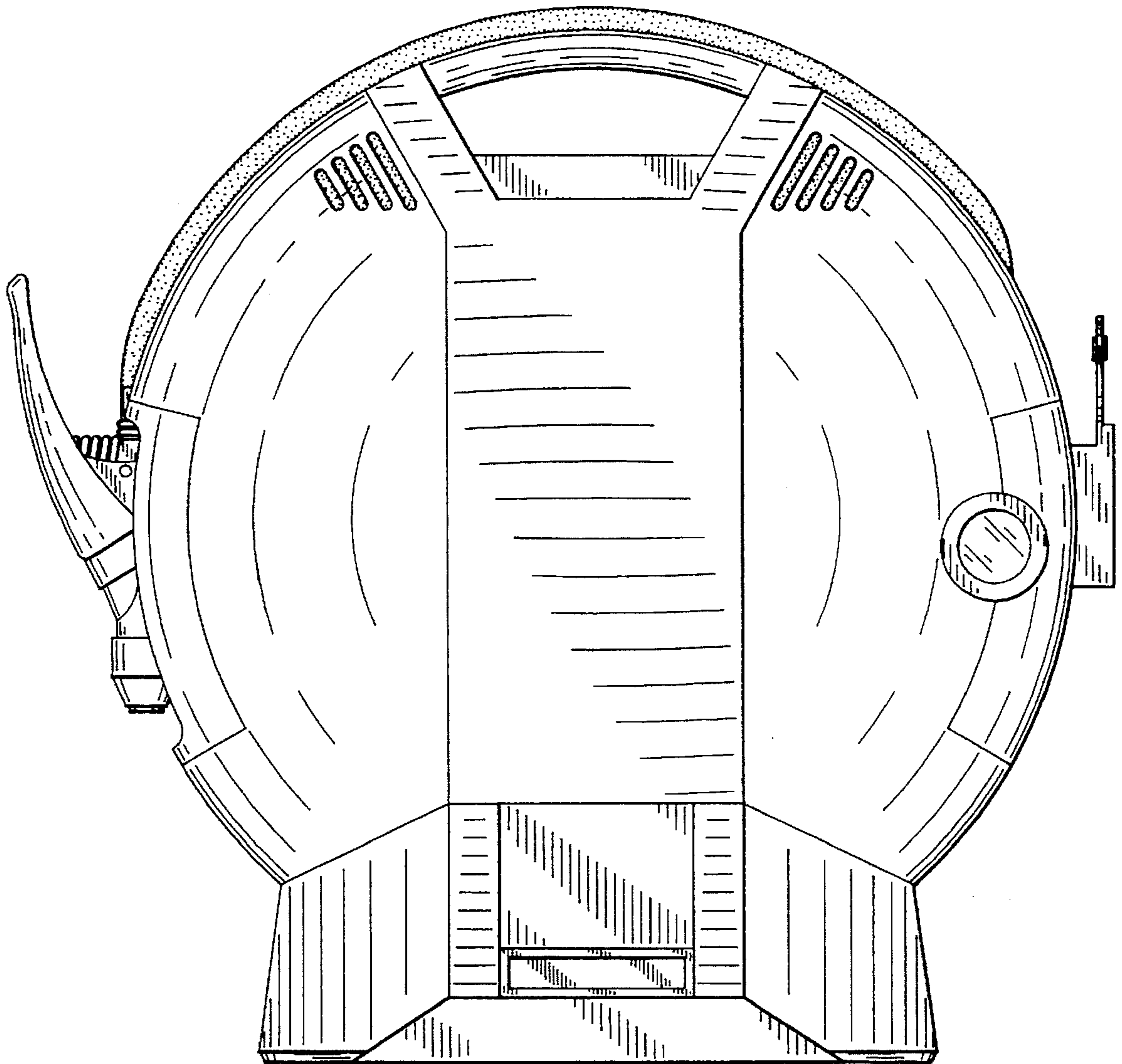


FIG. 2

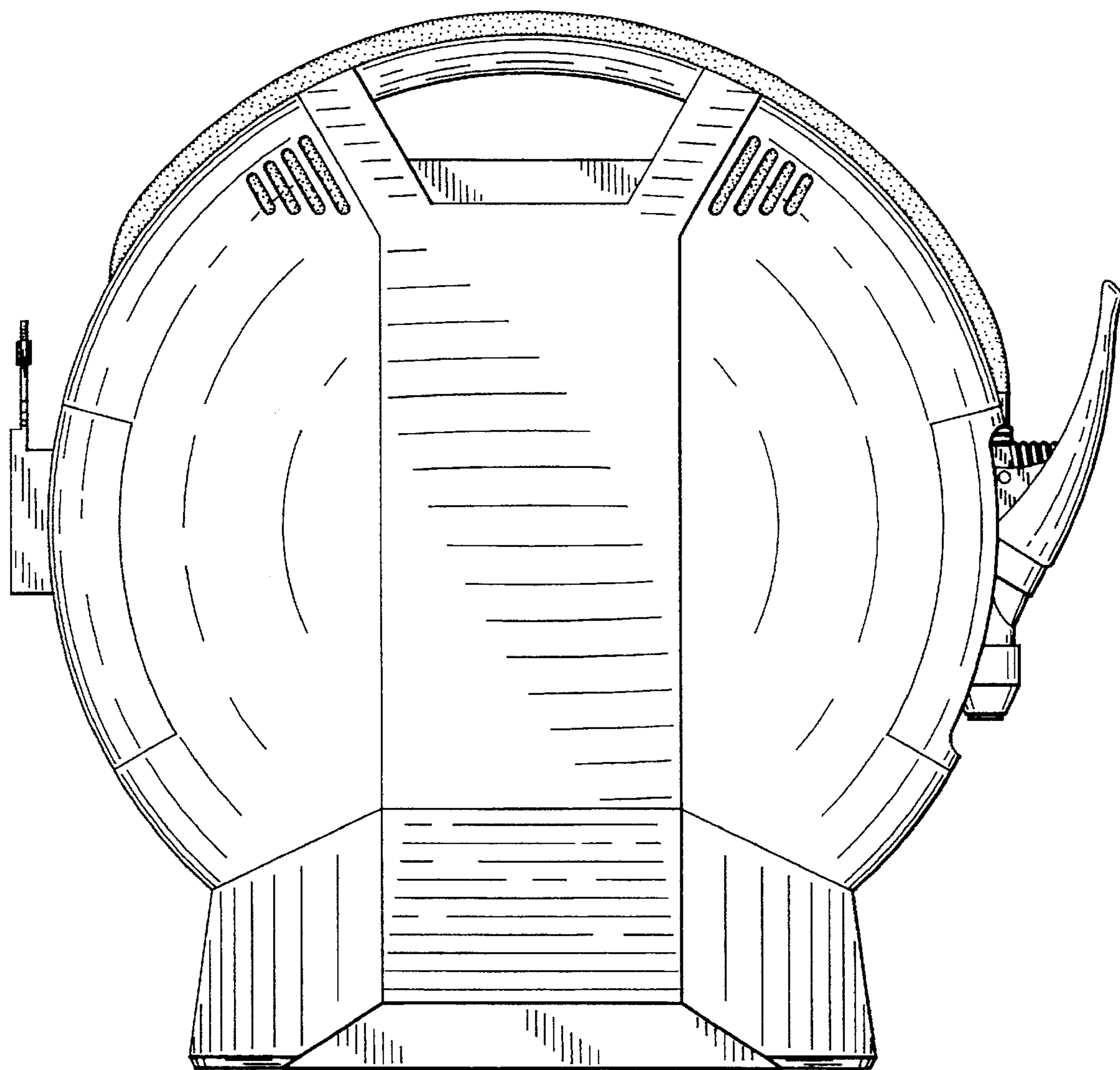


FIG. 3

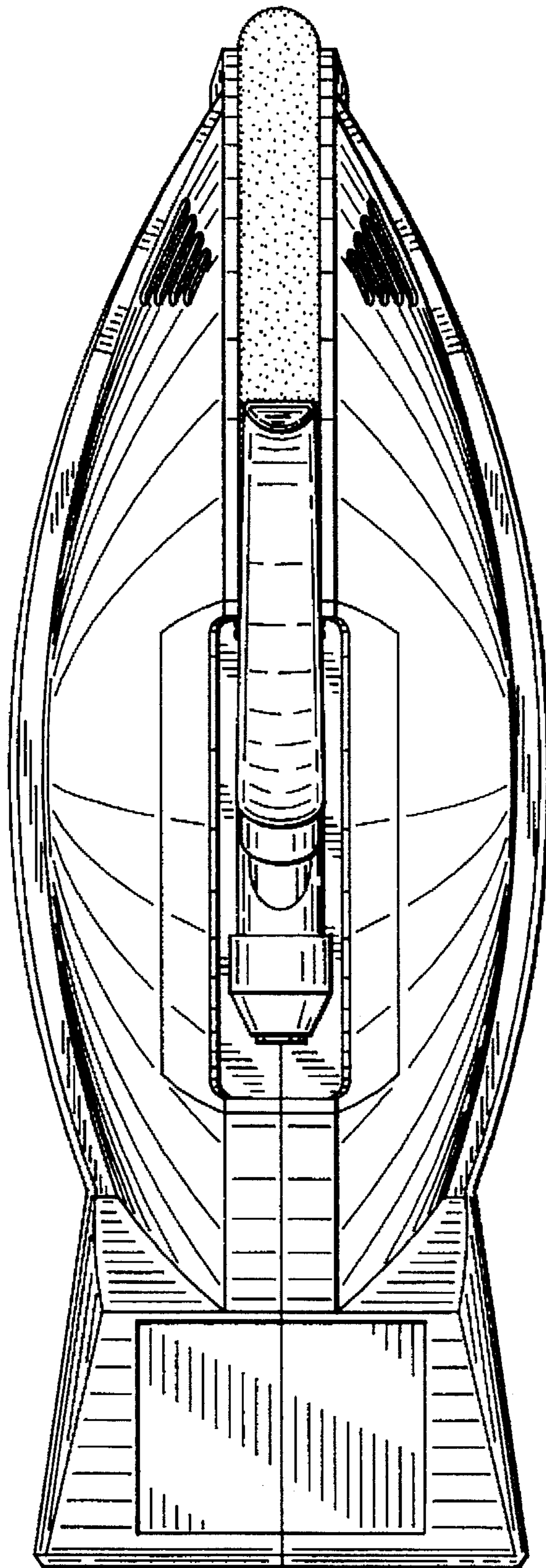


FIG. 4

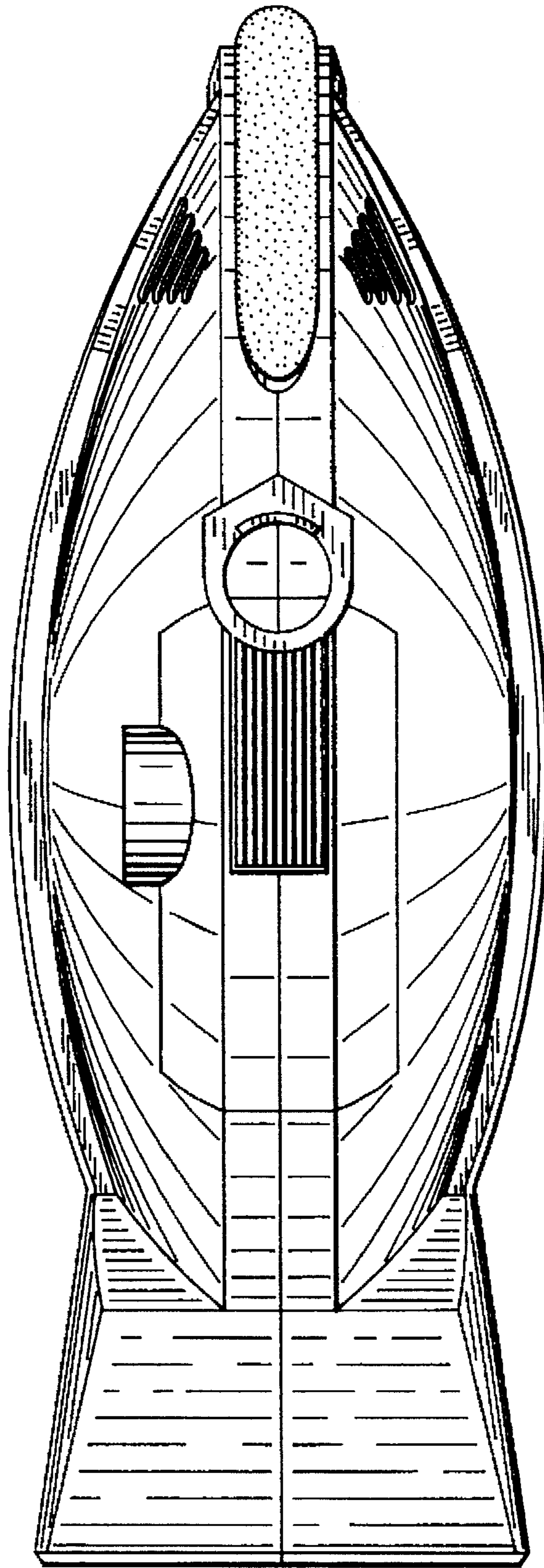


FIG. 5

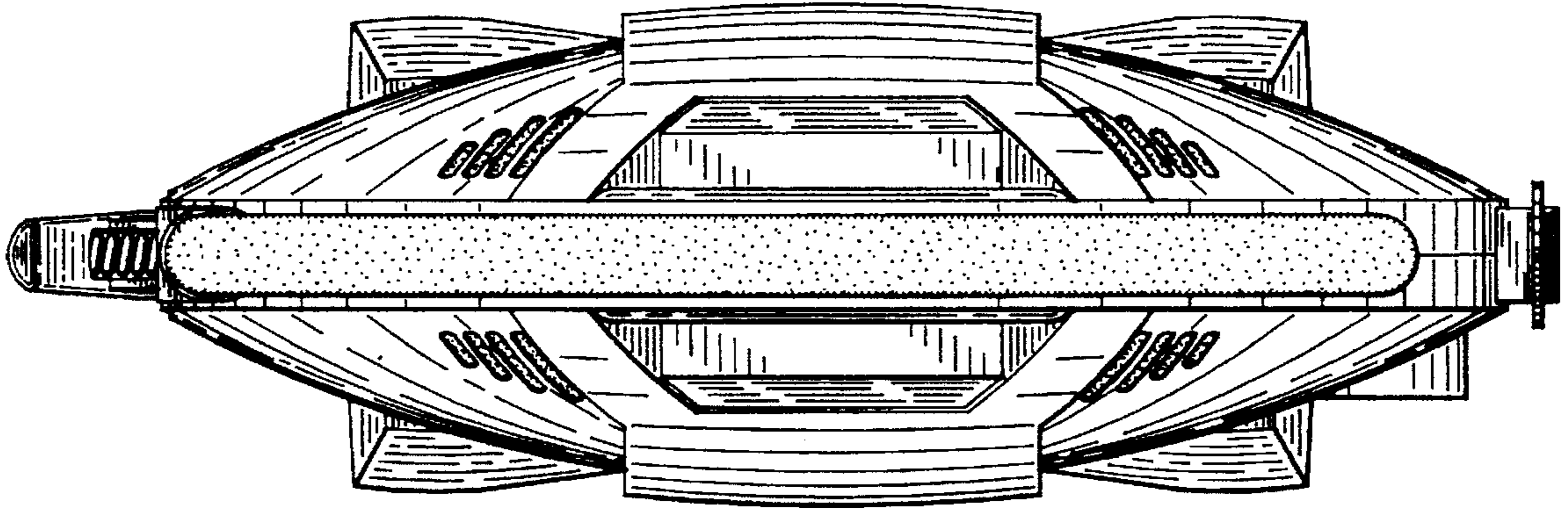


FIG. 6

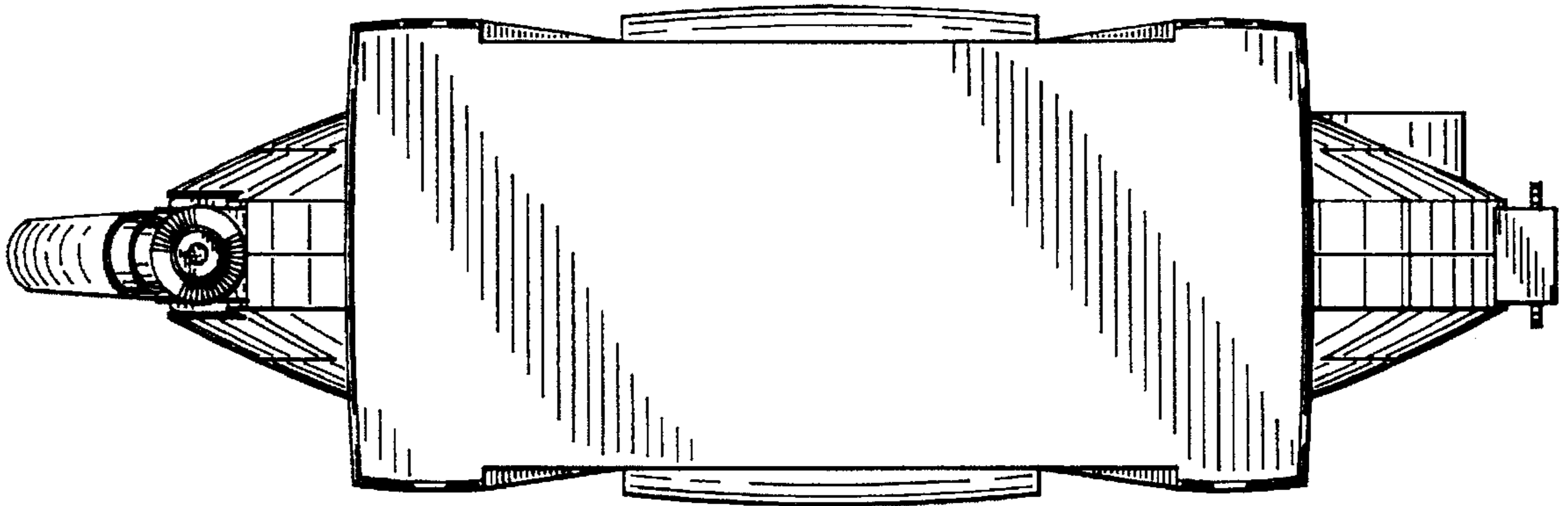


FIG. 7