



US00D381126S

# United States Patent [19] Quaresima

[11] Patent Number: Des. 381,126

[45] Date of Patent: \*\*Jul. 15, 1997

[54] ANTI-GLARE EYE SHIELD

[75] Inventor: **James S. Quaresima**, Hampton Bays, N.Y.

[73] Assignee: **Vi-Zor Corp.**, Hampton Bays, N.Y.

[\*\*] Term: **14 Years**

[21] Appl. No.: **45,949**

[22] Filed: **Nov. 3, 1995**

[51] LOC (6) Cl. .... **29-02**

[52] U.S. Cl. .... **D29/109**

[58] Field of Search ..... D29/109; 2/876, 2/2, 9, 12, 15

1,722,120 7/1929 Wickland .

2,187,810 1/1940 Rentz ..... 88/41

2,433,590 12/1947 Barr ..... 2/12

2,530,881 11/1950 Houston ..... 2/12

2,632,164 3/1953 Hanford ..... 2/12

2,933,734 4/1960 Glass ..... 2/9

3,225,459 12/1965 Wilstein ..... 35/12

3,308,478 3/1967 Tate ..... 2/12

3,330,051 7/1967 Pambello .

4,057,852 11/1977 Contant ..... 2/12

5,261,124 11/1993 Day ..... 2/10

Primary Examiner—Ruth McInroy  
Attorney, Agent, or Firm—Roylance, Abrams, Berdo & Goodman

### [57] CLAIM

The ornamental design for a anti-glare eye shield, as shown and described.

### [56] References Cited

#### U.S. PATENT DOCUMENTS

D. 136,539 10/1943 Jones ..... D29/109

D. 164,304 8/1951 Houston ..... D57/1

D. 167,193 7/1952 Bruce ..... D57/1

D. 168,736 2/1953 Cooper et al. .... D57/1

D. 169,130 3/1953 Dieroff ..... D54/1

D. 176,309 12/1955 Clark ..... D57/1

D. 204,023 3/1966 Potts ..... D57/1

D. 268,593 4/1983 Harper ..... D29/109

D. 299,767 2/1989 Hsin ..... D29/109

D. 302,608 8/1989 LaPierre ..... D29/109

D. 302,609 8/1989 Wheeler ..... D29/18

1,255,430 1/1918 King .

### DESCRIPTION

FIG. 1 is a bottom and front perspective view of an anti-glare eye shield showing my new design;

FIG. 2 is a left side elevational view thereof;

FIG. 3 is a right side elevational view thereof;

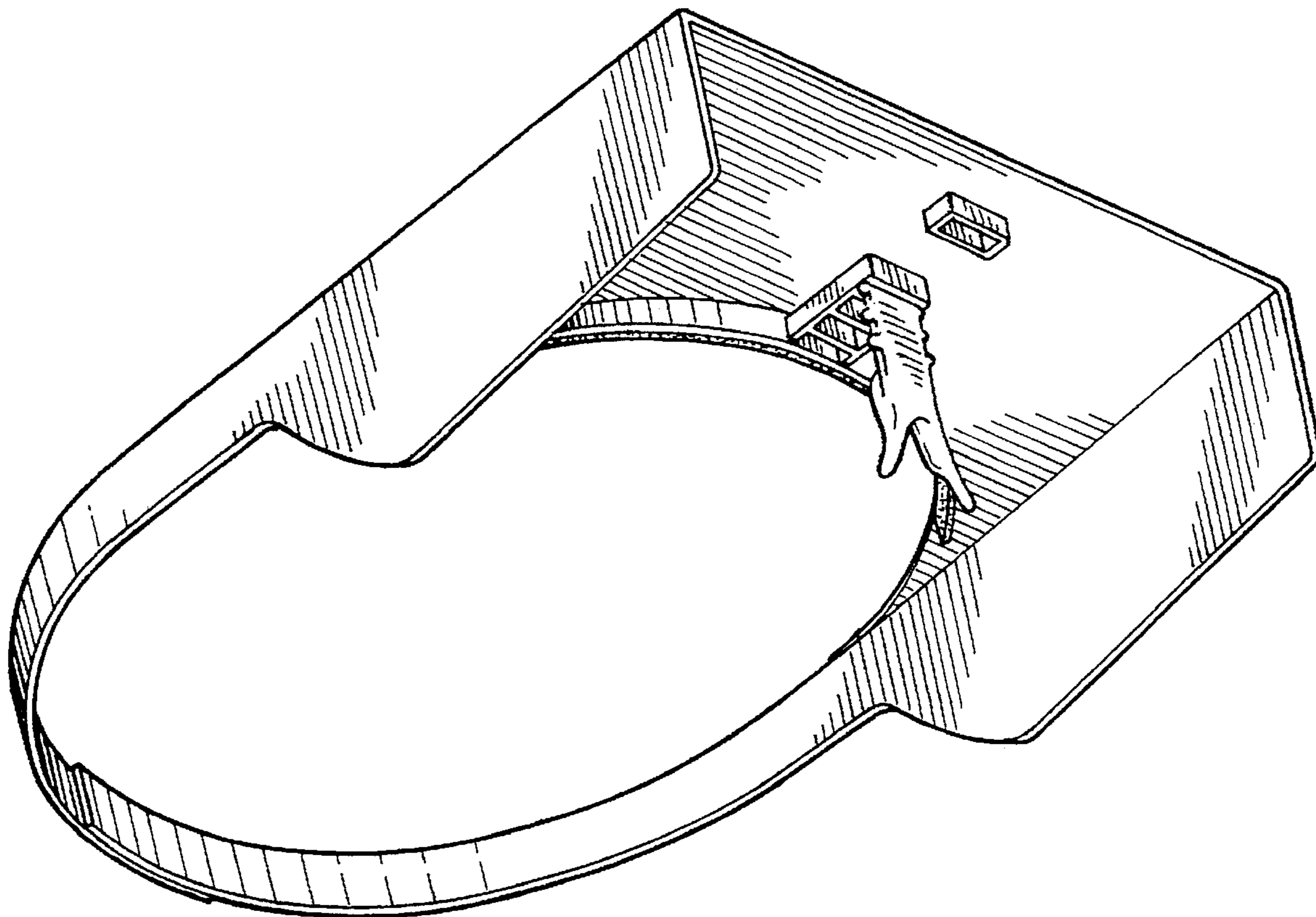
FIG. 4 is a top plan view thereof;

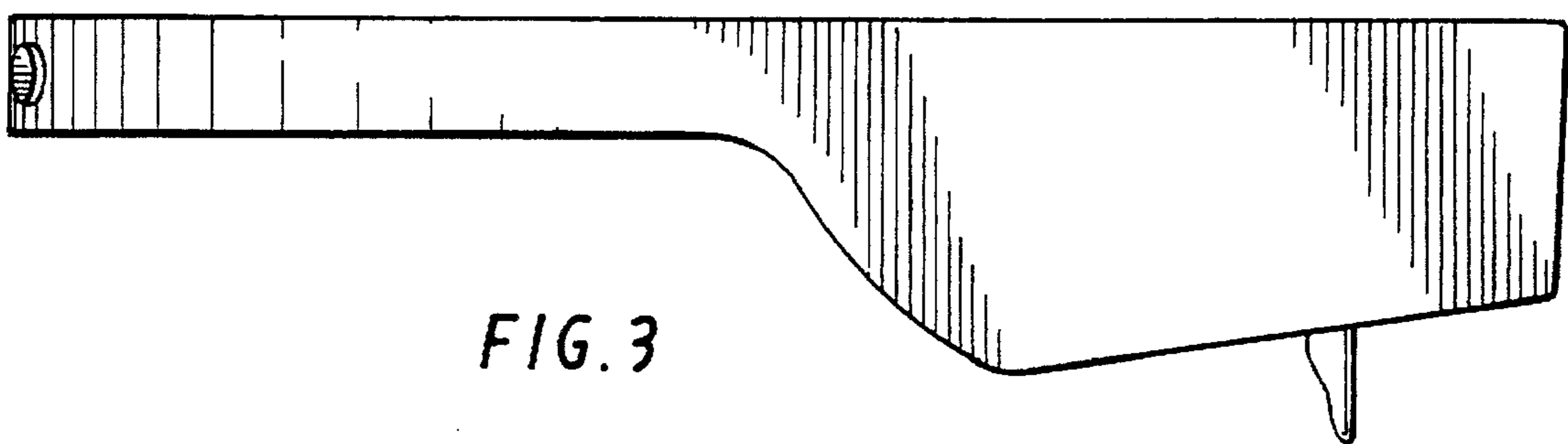
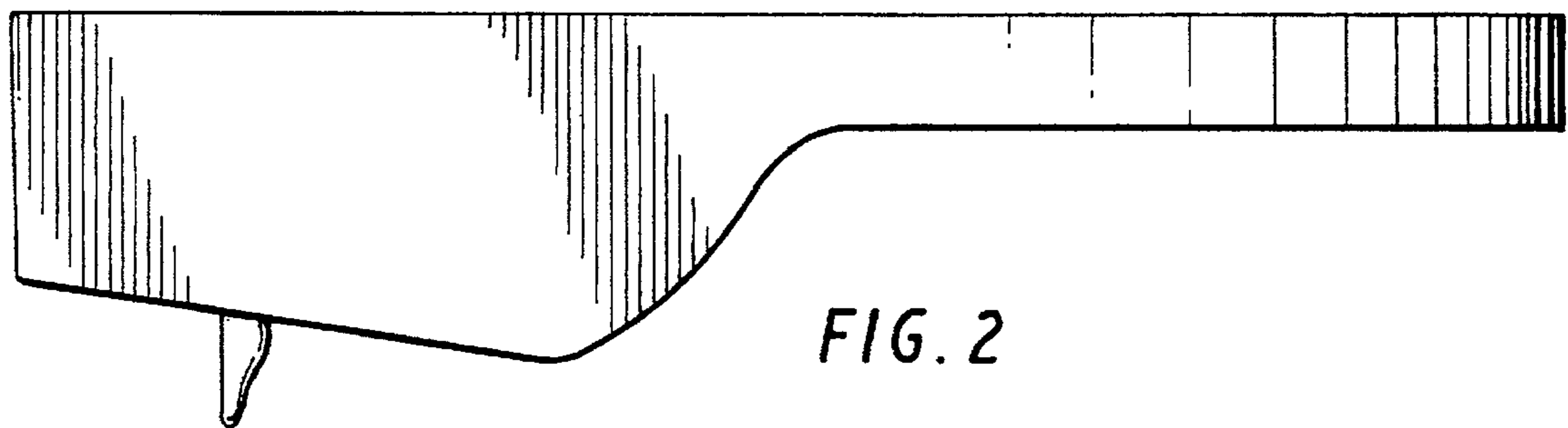
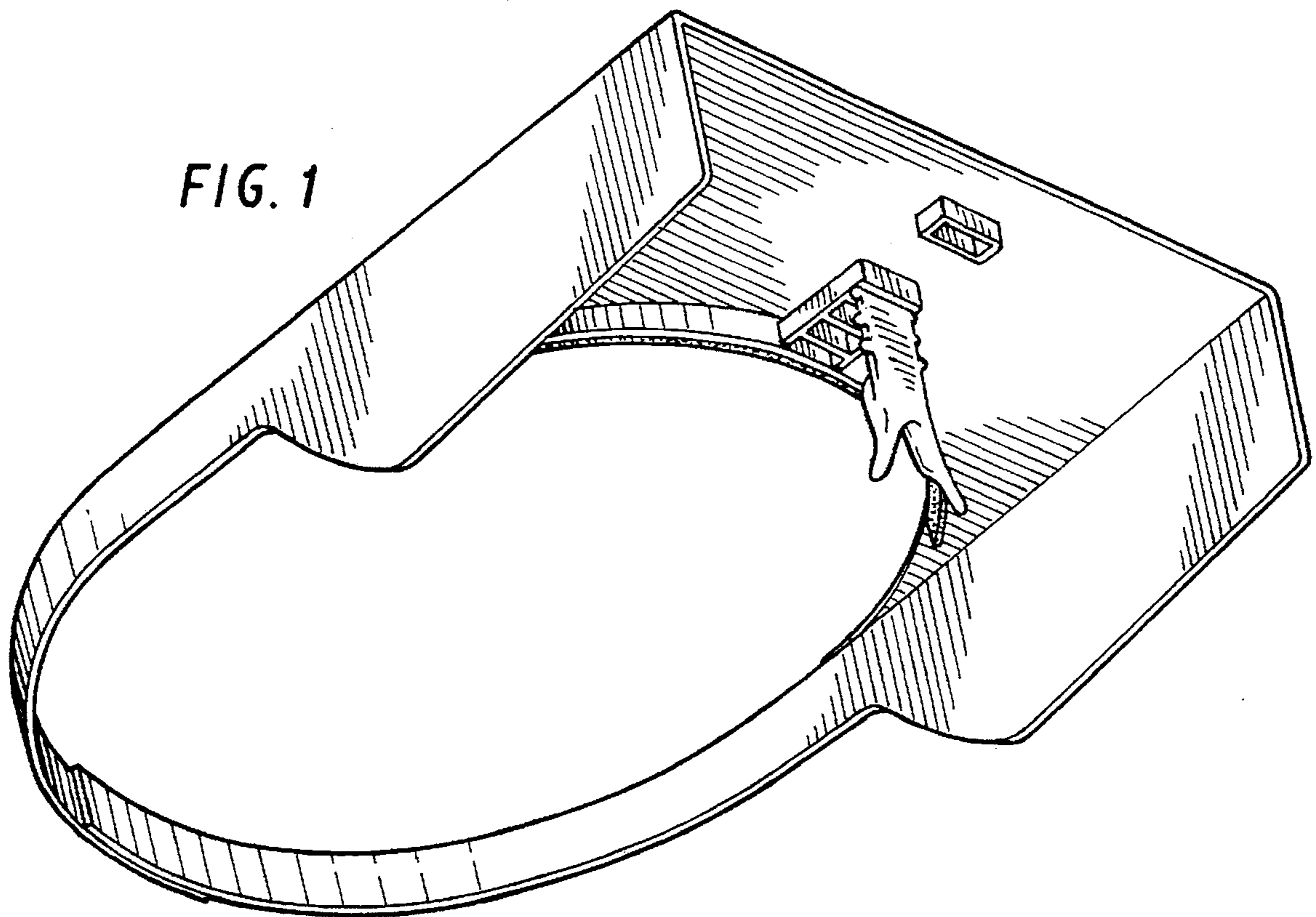
FIG. 5 is a front side elevational view thereof;

FIG. 6 is a bottom plan view thereof; and,

FIG. 7 is a rear side elevational view thereof.

1 Claim, 3 Drawing Sheets





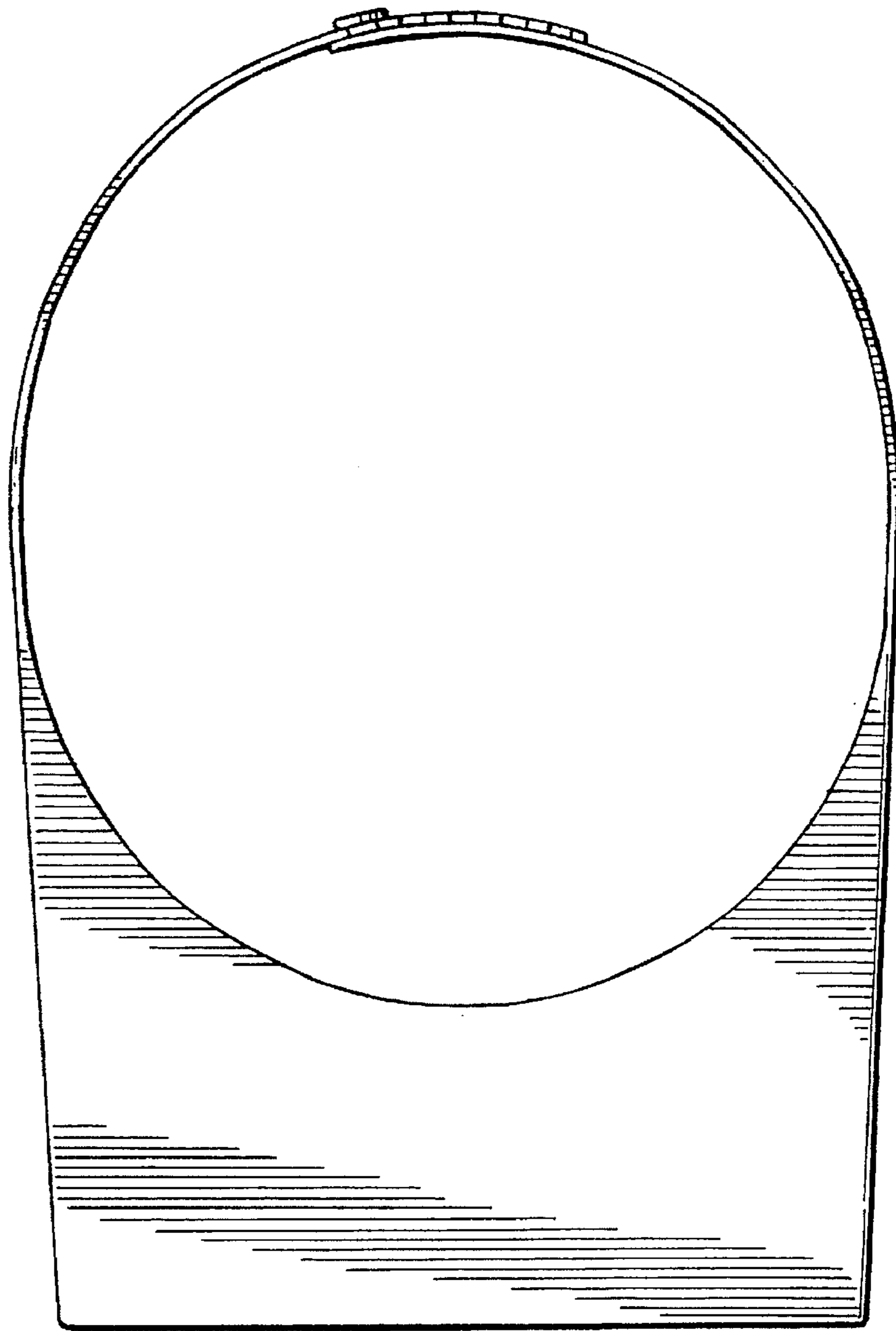


FIG. 4

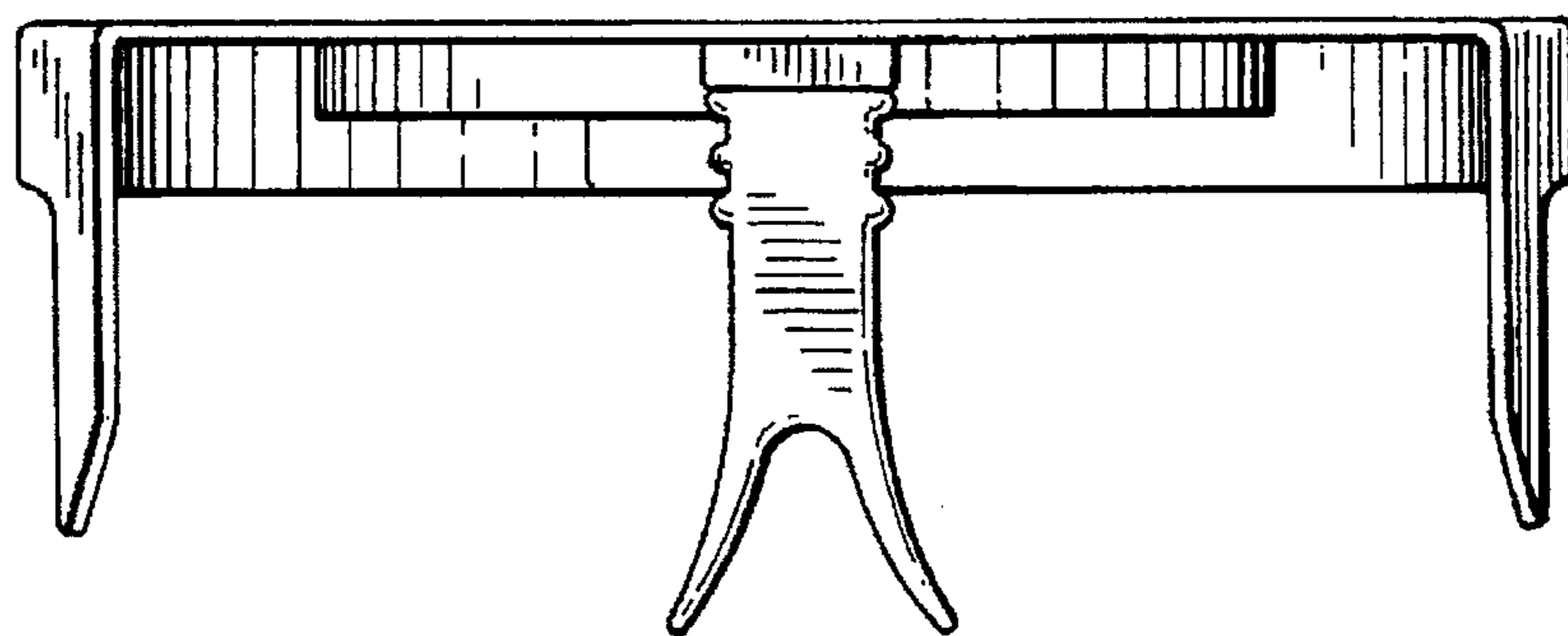


FIG. 5

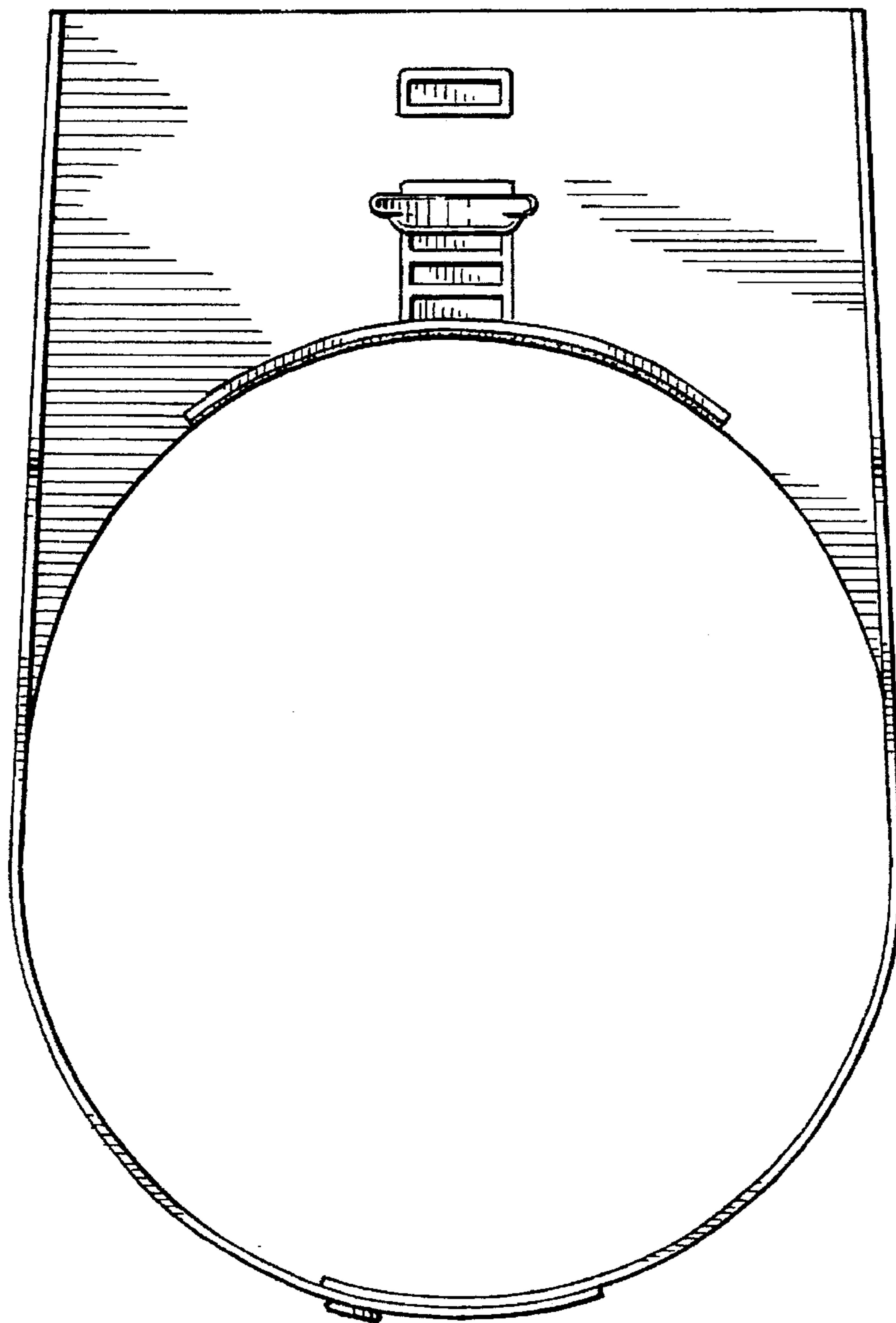


FIG. 6

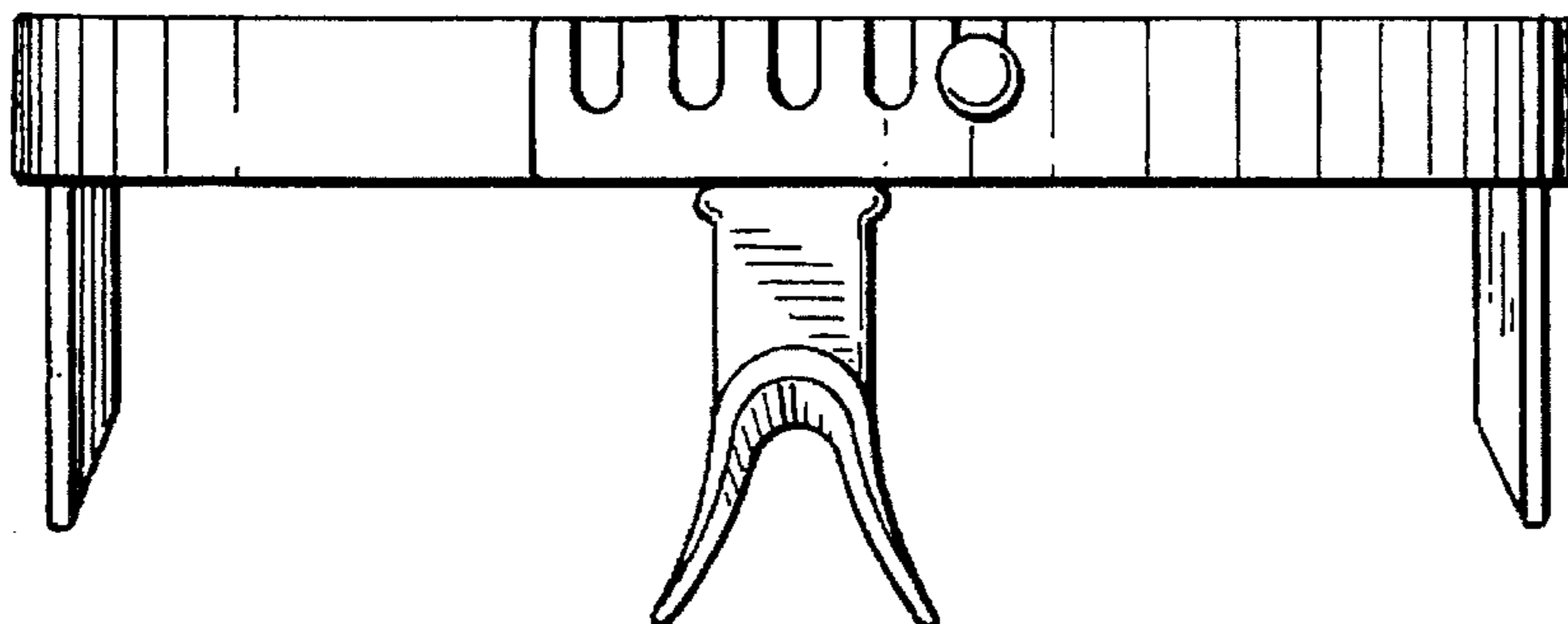


FIG. 7