



US00D381123S

**United States Patent** [19]  
**Giedd**

[11] **Patent Number:** **Des. 381,123**  
[45] **Date of Patent:** **\*\*Jul. 15, 1997**

[54] **HAIR COLORING EASEL**

[76] **Inventor:** **Dennis Giedd**, 395 S. Topanga Canyon Blvd., Topanga, Calif. 90290

[\*\*] **Term:** **14 Years**

[21] **Appl. No.:** **51,824**

[22] **Filed:** **Mar. 19, 1996**

**Related U.S. Application Data**

[62] Division of Ser. No. 32,596, Dec. 26, 1994.

[51] **LOC (6) Cl.** ..... **28-03**

[52] **U.S. Cl.** ..... **D28/73; D19/35; D6/466; D6/476**

[58] **Field of Search** ..... D28/9, 20, 73, D28/99; D6/457-465, 475-476; D19/35, 36, 75, 77; 211/13, 60.1, 70.6, 71, 74, 128, 133

[56] **References Cited**

**U.S. PATENT DOCUMENTS**

D. 32,980 7/1900 Hutchinson ..... D6/476 X  
102,398 4/1870 Hibbs ..... 211/74 X

D. 141,487 6/1945 Burin ..... D6/457  
D. 146,059 12/1946 McCalla ..... D28/9  
D. 172,113 5/1954 Smith ..... D28/76  
D. 234,381 2/1975 Berger ..... D6/469  
D. 300,790 4/1989 Beckwith ..... D6/462  
D. 342,585 12/1993 Fischbach et al. .... D28/73 X  
1,643,735 9/1927 Baker ..... 211/74 X  
5,031,778 7/1991 Edgecombe ..... 211/74 X

*Primary Examiner*—Ted Shooman  
*Assistant Examiner*—C. Tuttle  
*Attorney, Agent, or Firm*—Sughrue, Mion, Zinn, Macpeak & Seas

[57] **CLAIM**

The ornamental design for a hair coloring easel, as shown and described.

**DESCRIPTION**

FIG. 1 is a perspective view of the top, front and right side of a hair coloring easel showing my new design; FIG. 2 is a left side elevational view thereof, the side opposite being a mirror image of the side shown; and, FIG. 3 is a rear elevational view thereof. The bottom surface of the easel forms no part of the claimed design.

**1 Claim, 2 Drawing Sheets**

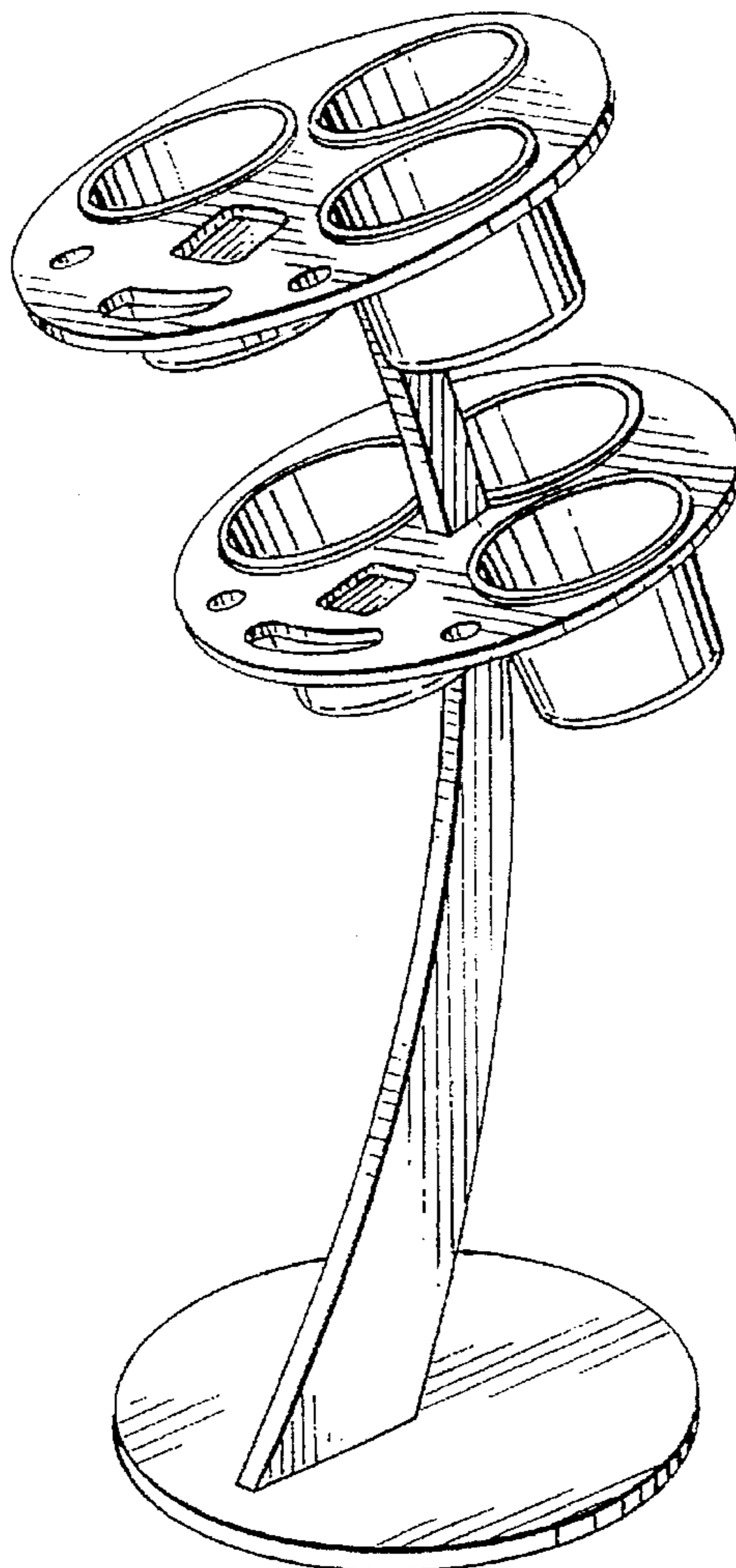


FIG. 1

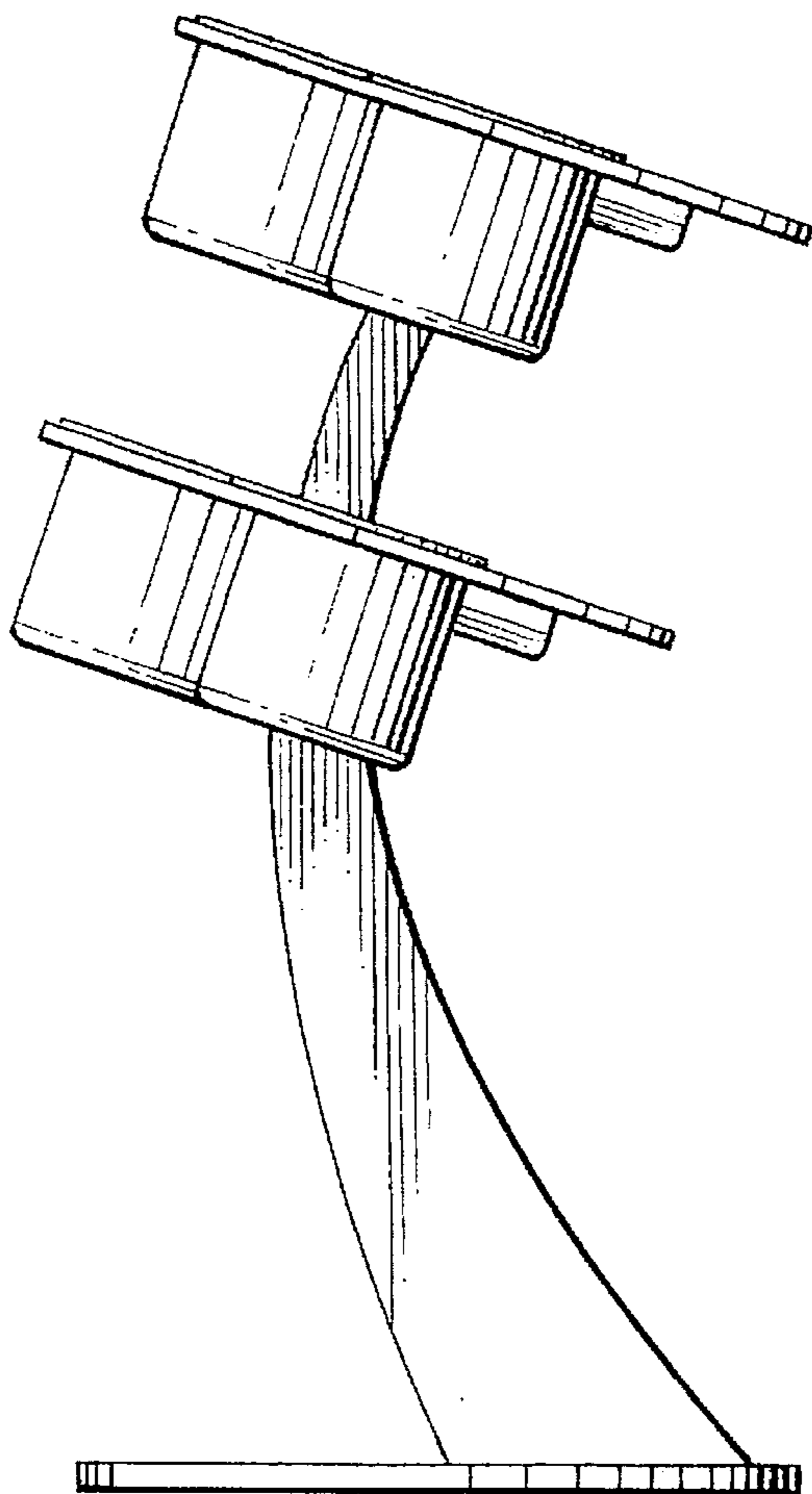
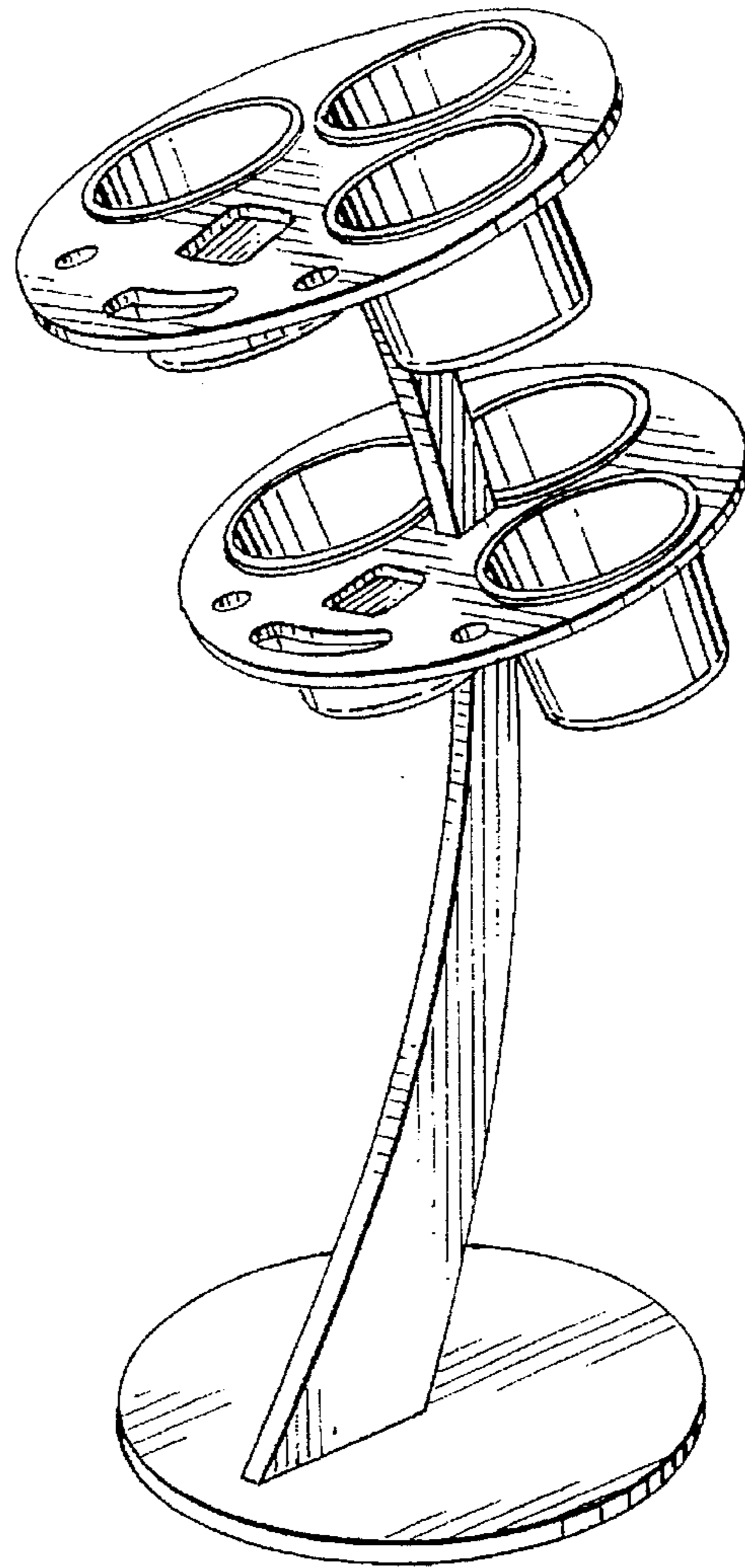


FIG. 2

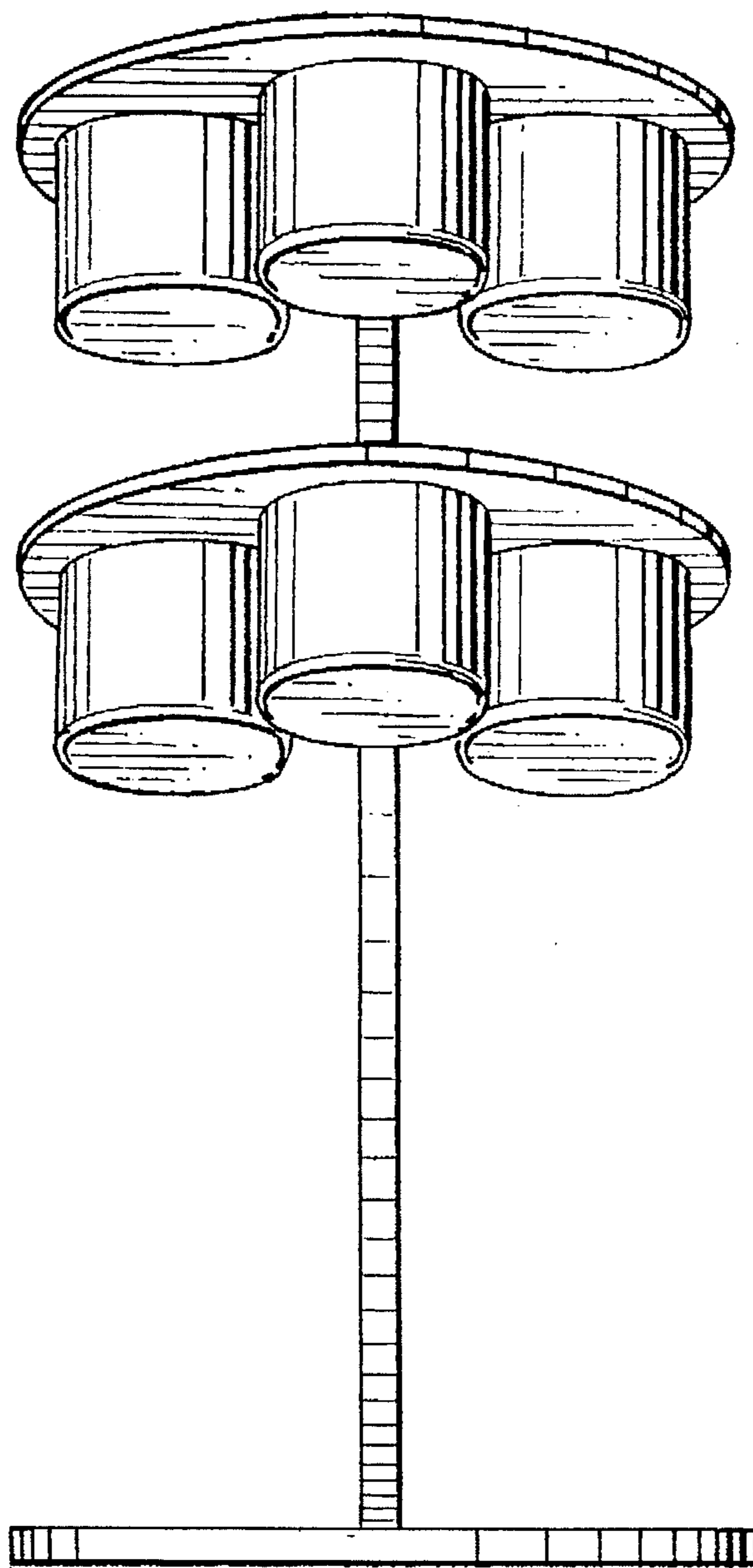


FIG. 3