

US00D381122S

United States Patent [19]

Ando

[11] Patent Number: Des. 381,122

[45] Date of Patent: **Jul. 15, 1997

[54] **STRING-HOLDER FOR TEETH CLEANER**

2,870,773 1/1959 Parks, Jr. 132/326
4,657,033 4/1987 Dalton 132/323

[76] Inventor: **Kyosuke Ando**, Green Heights 6-7-501,
550 Nagasawa, Yokosuka,
Kanagawa-ken, Japan

Primary Examiner—Kay H. Chin
Attorney, Agent, or Firm—Saidman DesignLaw Group

[**] Term: **14 Years**

[57] **CLAIM**

[21] Appl. No.: **47,250**

The ornamental design for a string holder for teeth cleaner,
as shown and described.

[22] Filed: **Nov. 30, 1995**

DESCRIPTION

[30] **Foreign Application Priority Data**

Jul. 5, 1995 [JP] Japan 7-19137

[51] **LOC (6) Cl.** **28-03**

[52] **U.S. Cl.** **D28/64**

[58] **Field of Search** D28/64; 132/321-327

FIG. 1 is a perspective view of a string-holder for teeth cleaner showing my new design;
FIG. 2 is a top plan view thereof;
FIG. 3 is a front elevational view thereof;
FIG. 4 is a rear elevational view thereof;
FIG. 5 is a bottom plan view thereof; and,
FIG. 6 is a left end elevational view thereof, the right end elevational view being a mirror image thereof.

[56] **References Cited**

U.S. PATENT DOCUMENTS

1,640,607 8/1927 Kitley 132/325

1 Claim, 3 Drawing Sheets

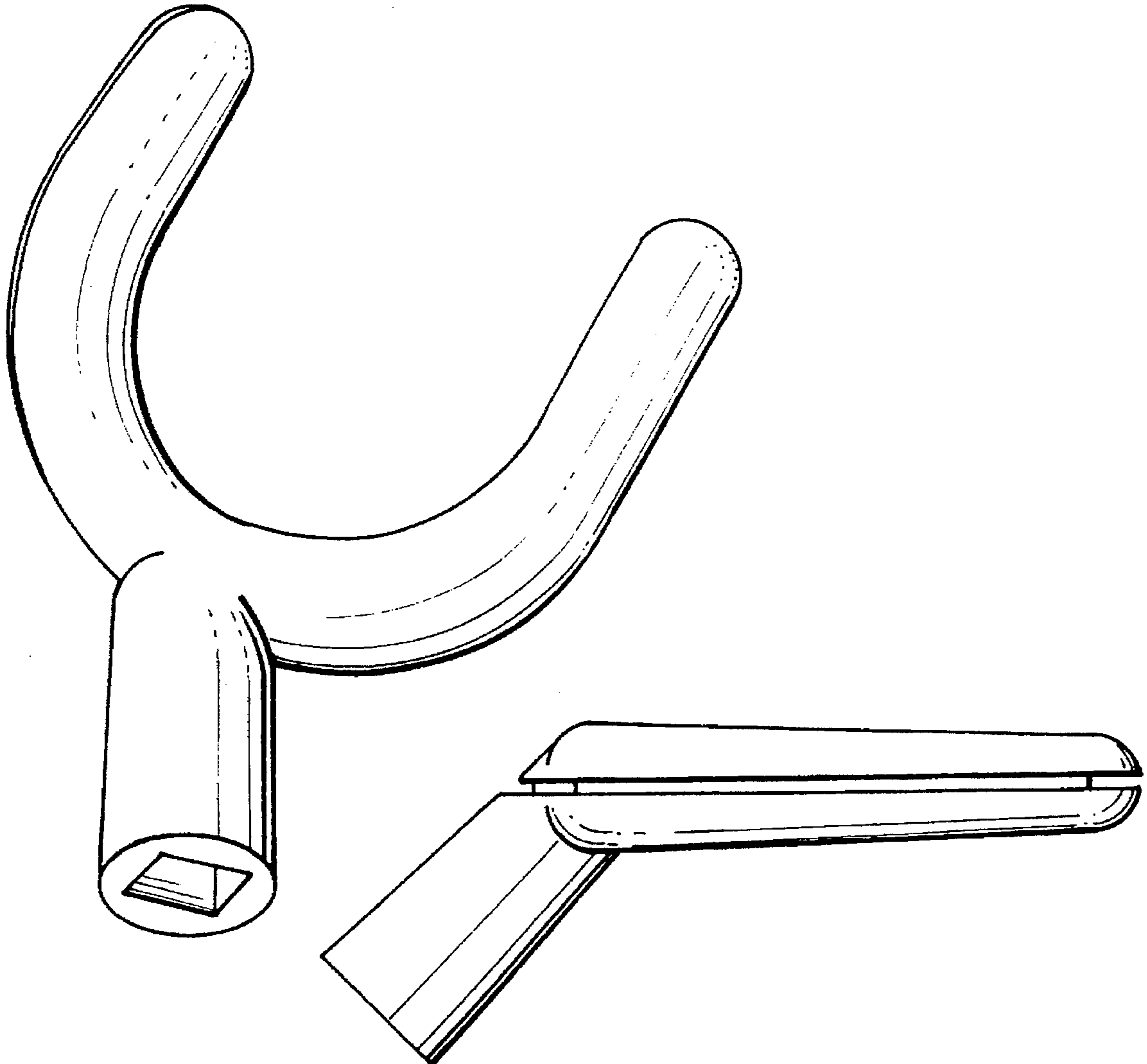


FIG. 1

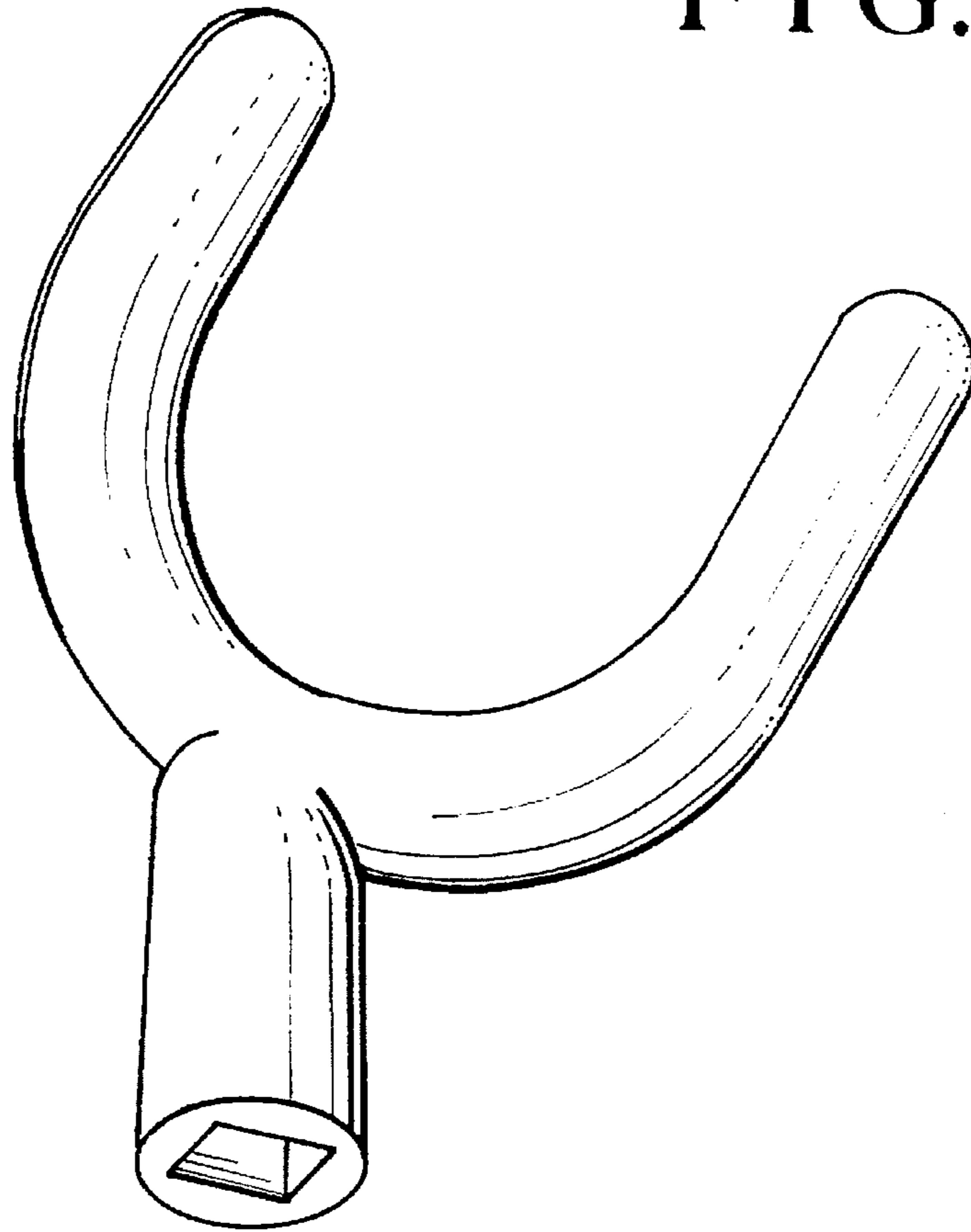


FIG. 2

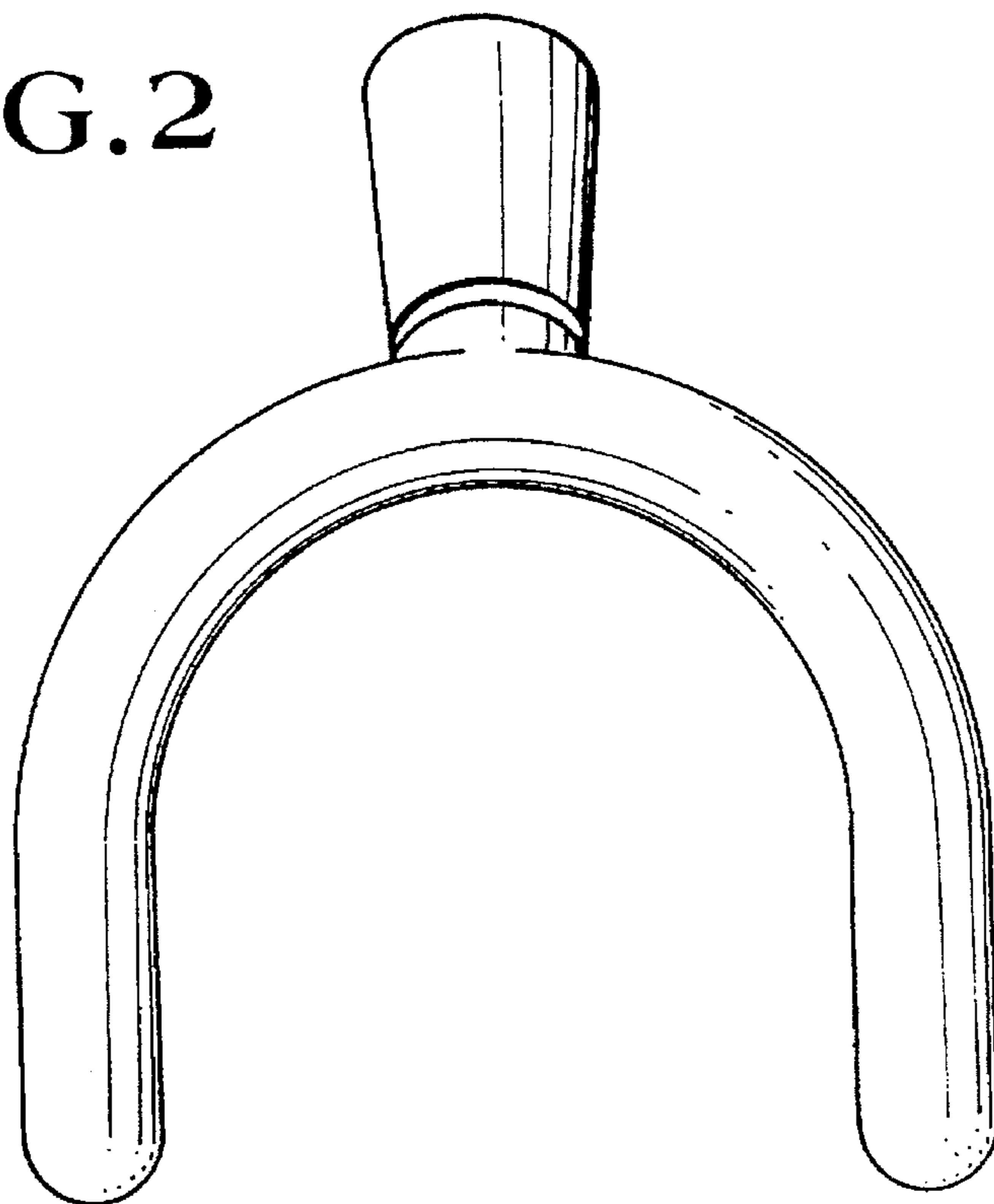


FIG. 3

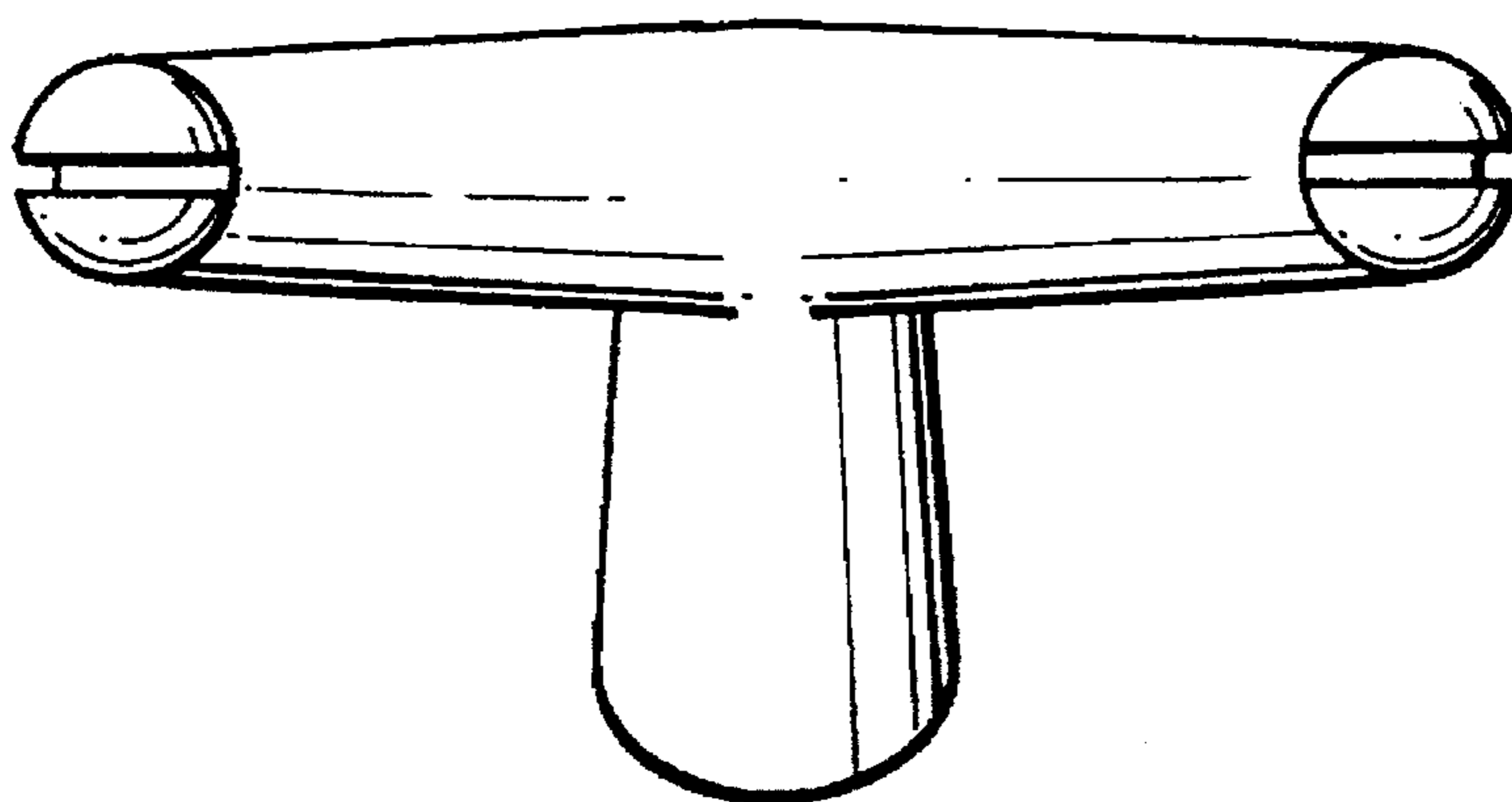


FIG. 4

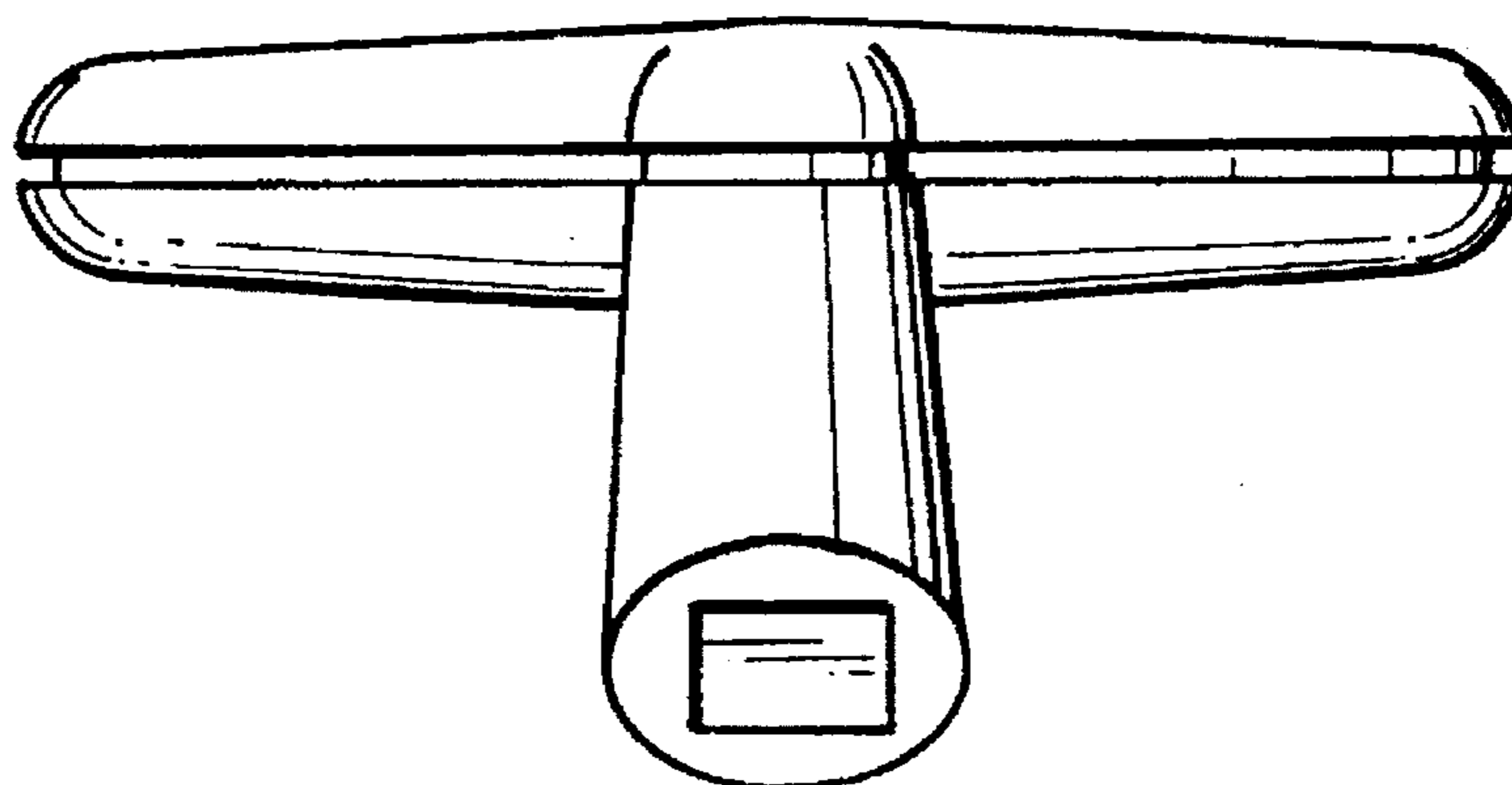


FIG.5

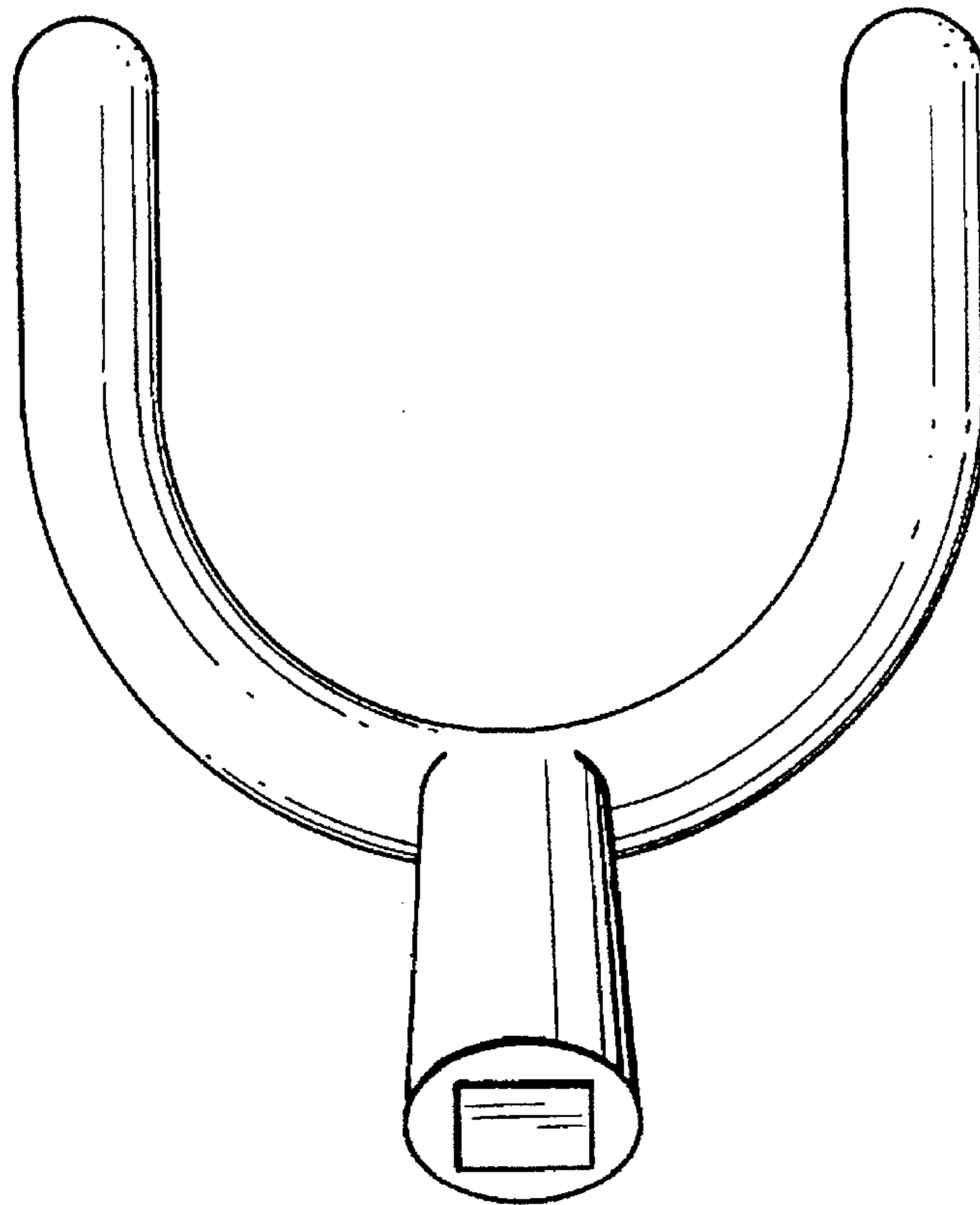


FIG.6

