



US00D381115S

United States Patent [19]

[11] Patent Number: Des. 381,115

Dicicco

[45] Date of Patent: **Jul. 15, 1997

[54] SMOKE FILTERING ASH TRAY

4,612,943 9/1986 Meinkowsky 131/329

[76] Inventor: **Brian Dicicco**, 1400 N. Elm Ave., Apt. 6, Denton, Tex. 76201

Primary Examiner—Susan J. Lucas
Assistant Examiner—Jennifer A. Regester
Attorney, Agent, or Firm—Harold H. Dutton, Jr.; W. Charles L. Jamison; Diane F. Liebman

[**] Term: 14 Years

[57] CLAIM

[21] Appl. No.: 49,513

The ornamental design for a smoke filtering ash tray, as shown.

[22] Filed: Jan. 25, 1996

DESCRIPTION

[51] LOC (6) Cl. 27-03

[52] U.S. Cl. D27/125

[58] Field of Search D27/102, 103, D27/110, 125, 127, 137; 131/231, 329, 330, 202, 232, 234; 55/358.8, 471, 472

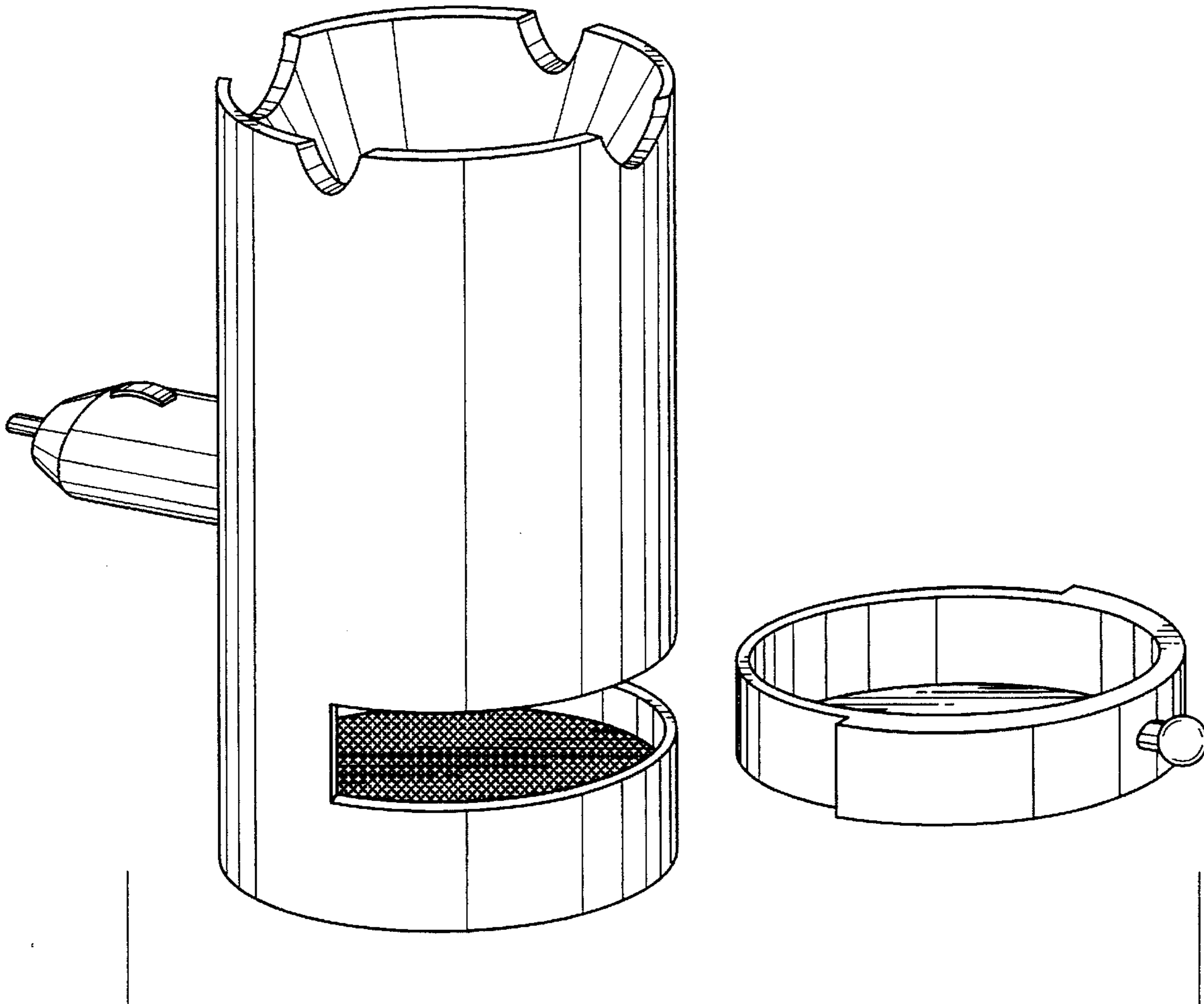
FIG. 1 is an exploded perspective view of a smoke filtering ash tray showing my new design; FIG. 2 is a front view thereof; FIG. 3 is a rear view thereof; FIG. 4 is a left side view thereof; FIG. 5 is a right side view thereof; FIG. 6 is a top view thereof; FIG. 7 is a bottom view thereof; and, FIG. 8 is a cross-sectional view thereof with the top portion partially removed to illustrate the inner surface of the cup area.

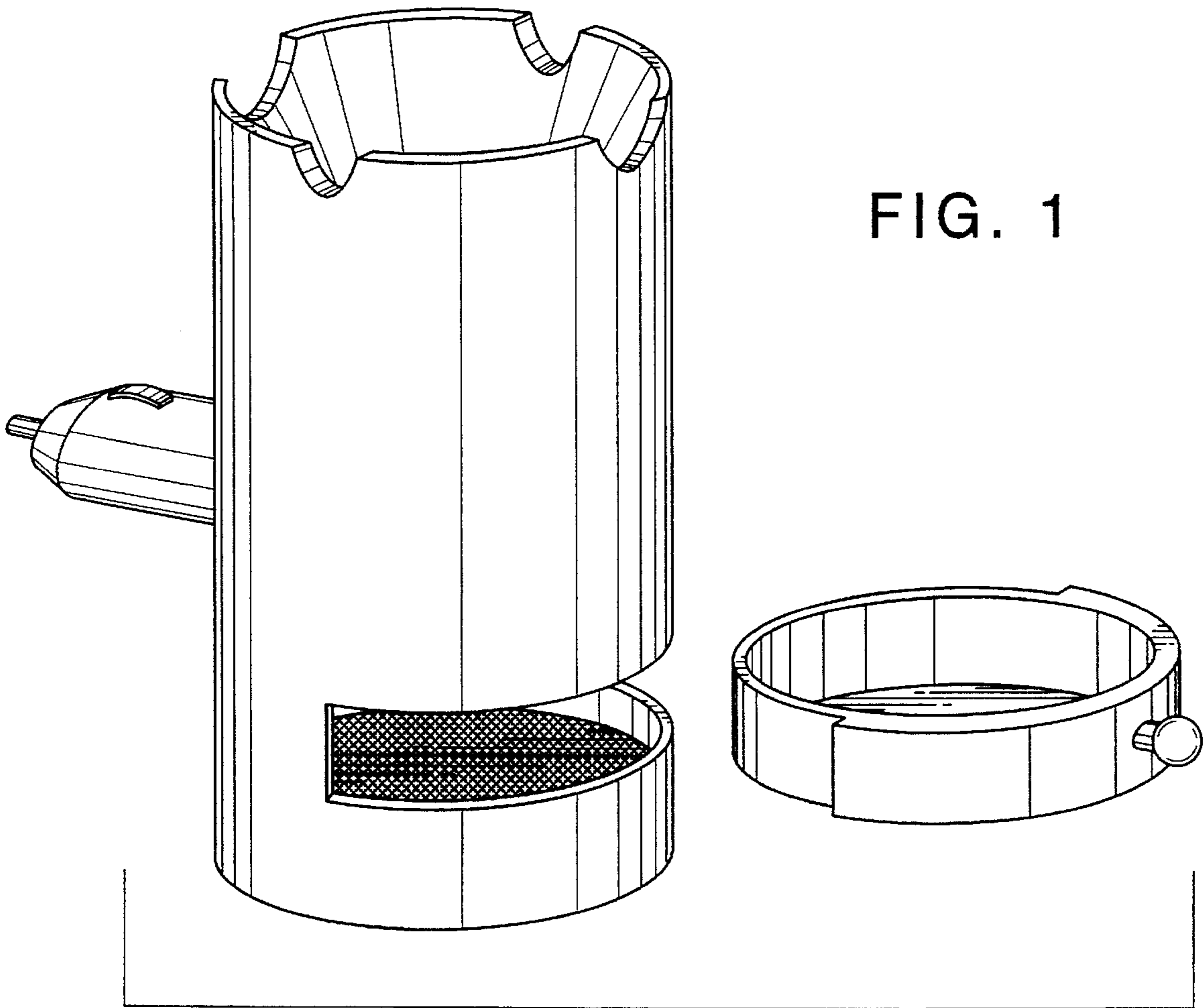
[56] References Cited

U.S. PATENT DOCUMENTS

D. 266,879	11/1982	Pastirik	D27/133
1,695,346	12/1928	Reese	131/231
3,958,965	5/1976	Raczkowski	55/385.8
3,966,442	6/1976	Waters	131/231 X
4,148,618	4/1979	Christenson et al.	55/385.8 X
4,154,251	5/1979	Doyel	131/231

1 Claim, 5 Drawing Sheets





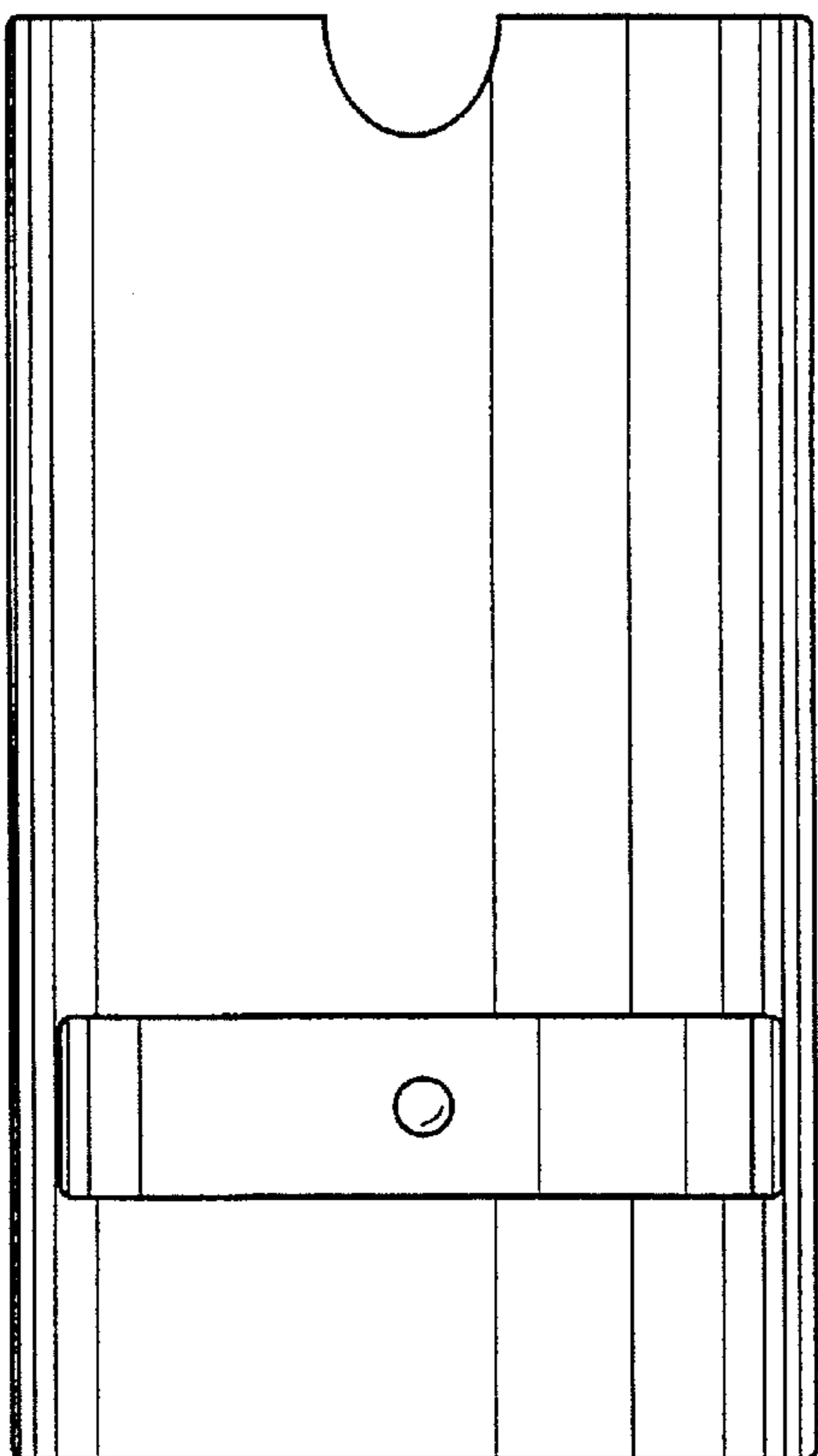


FIG. 2

FIG. 3

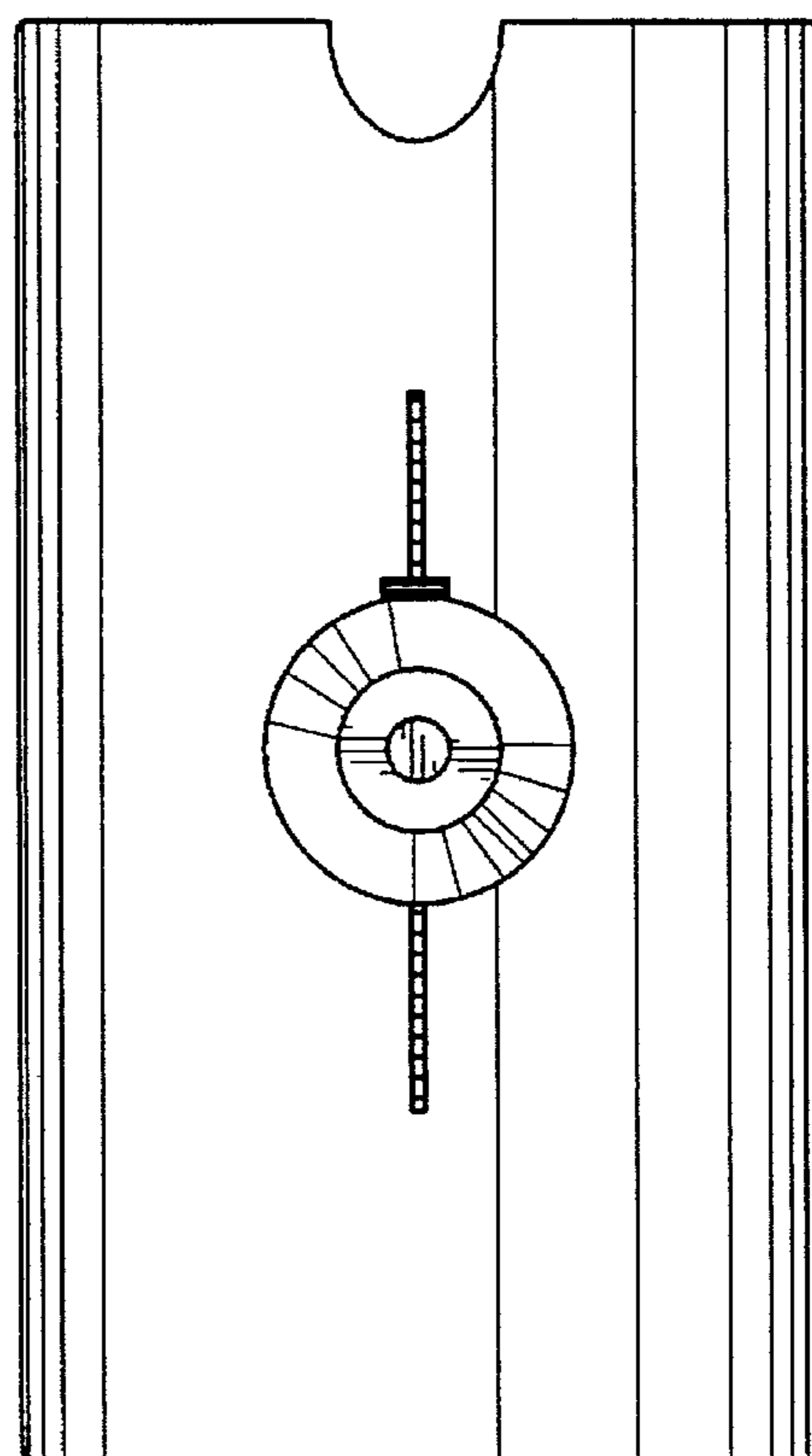


FIG. 4

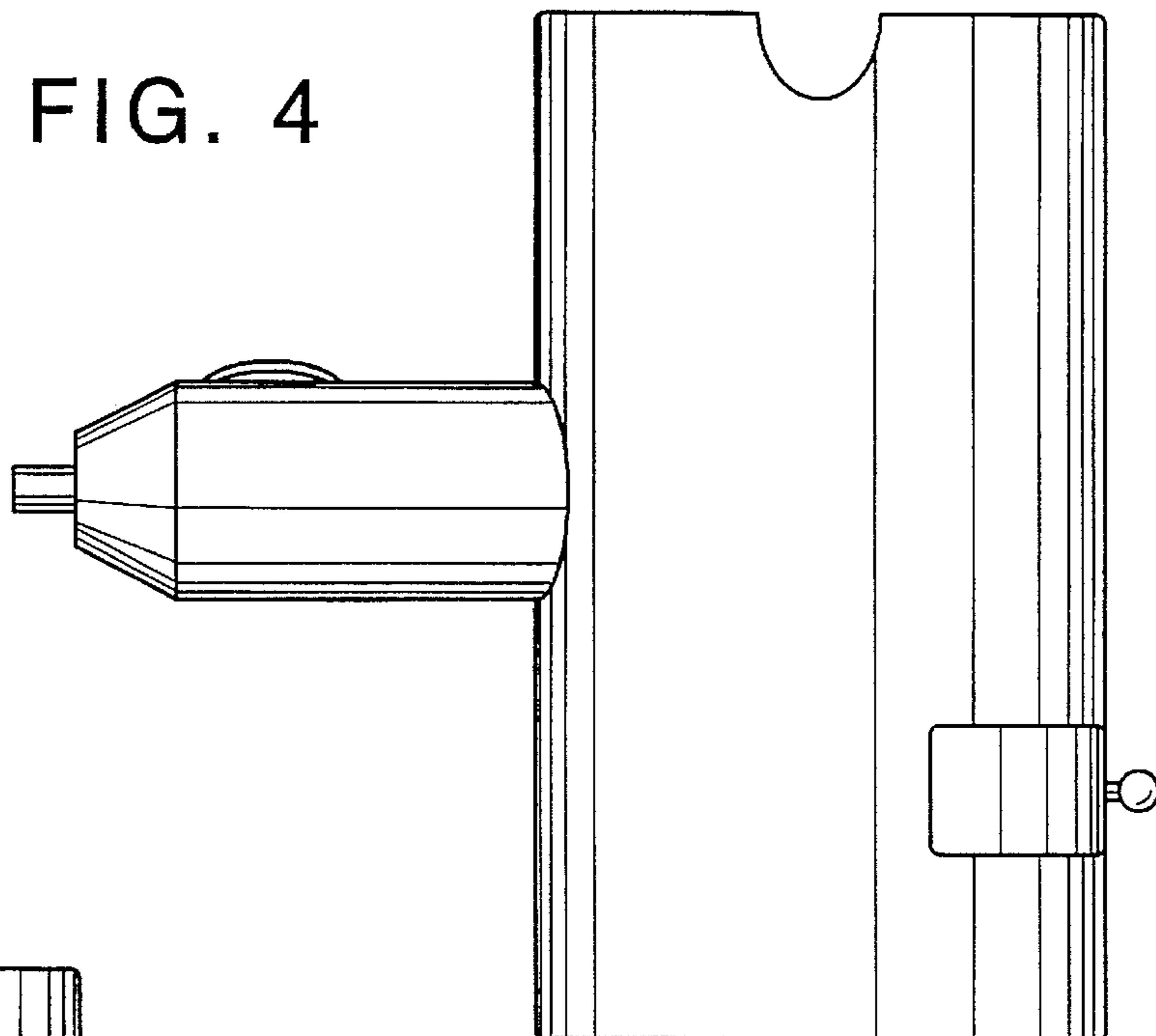
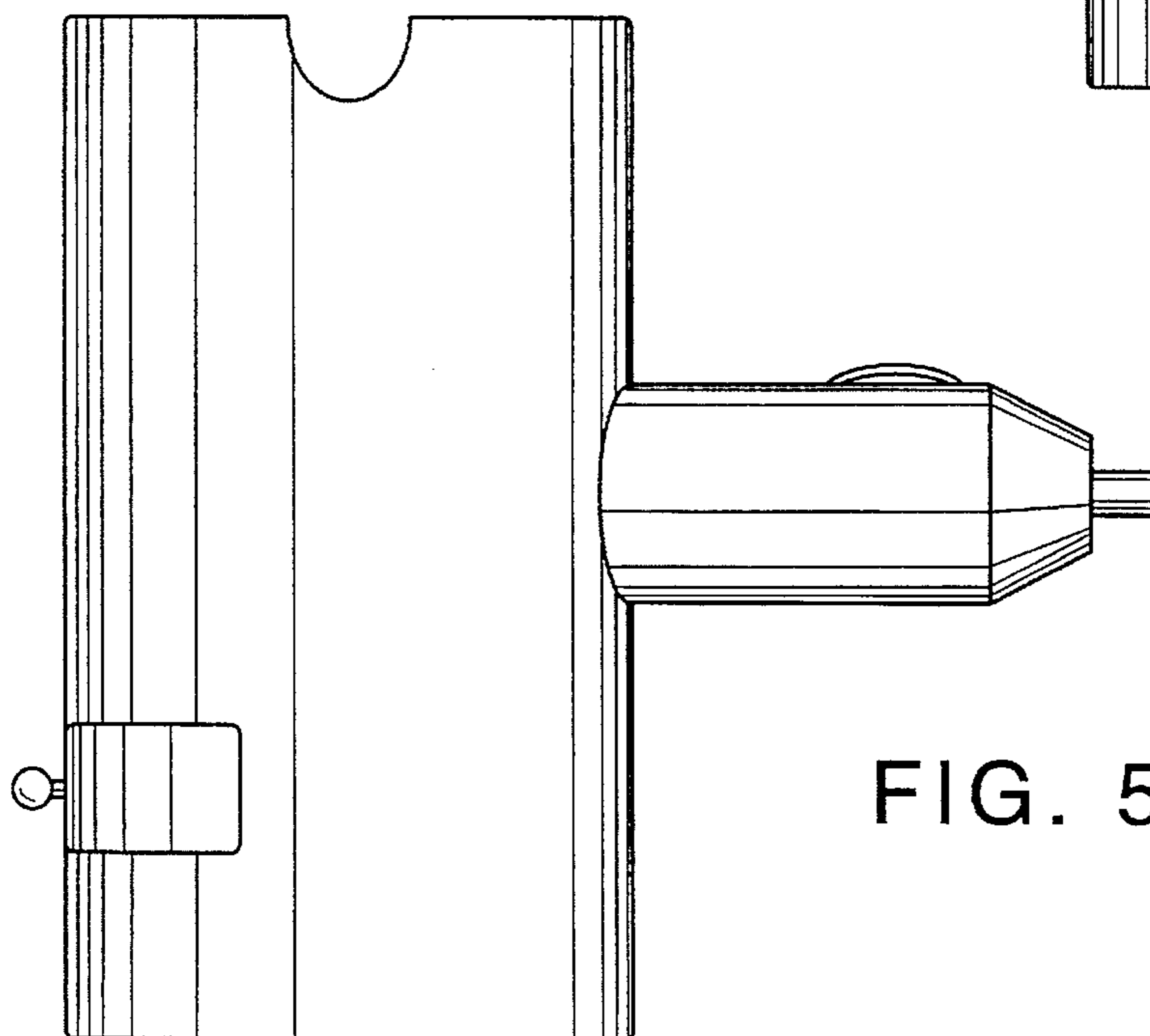


FIG. 5



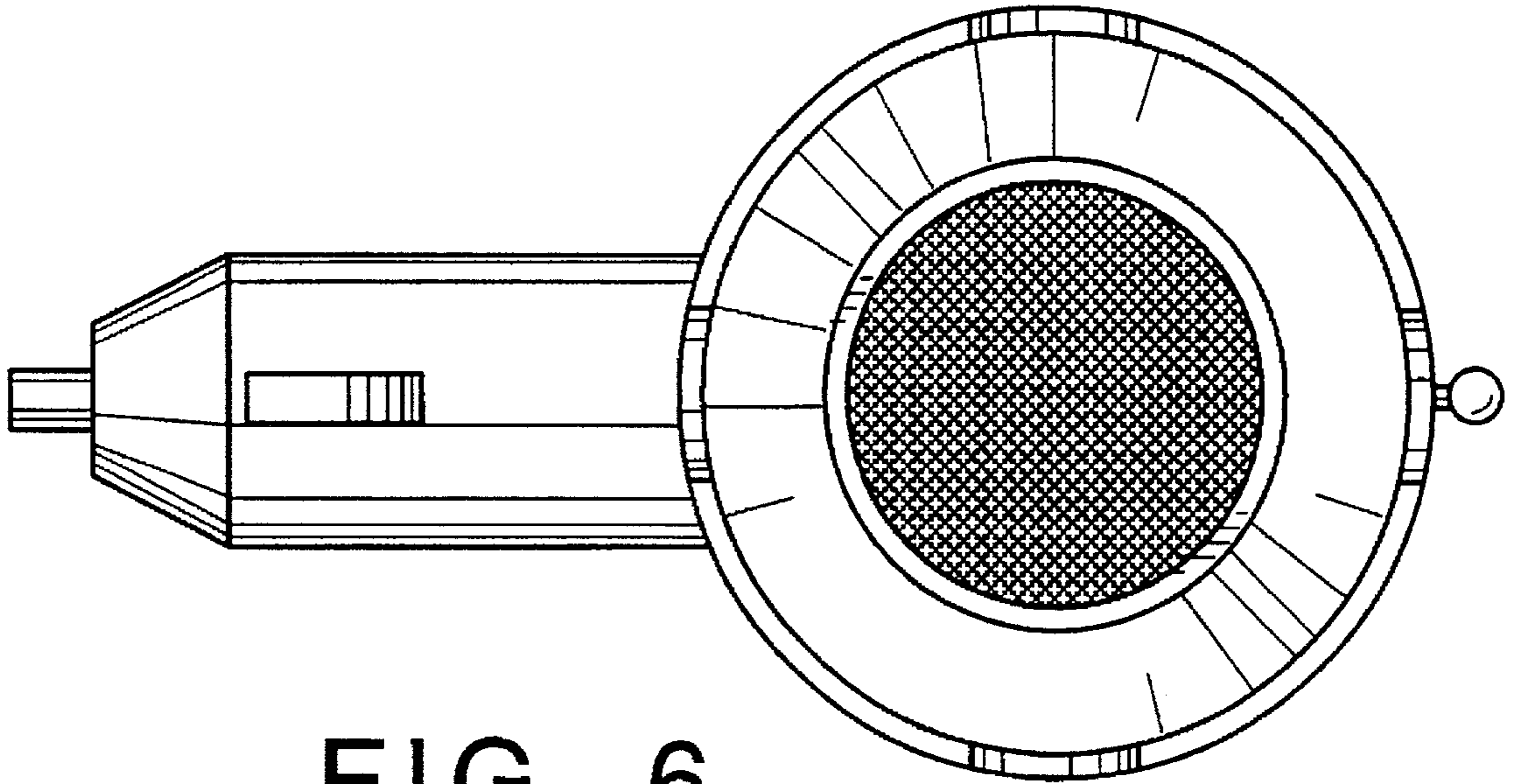


FIG. 6

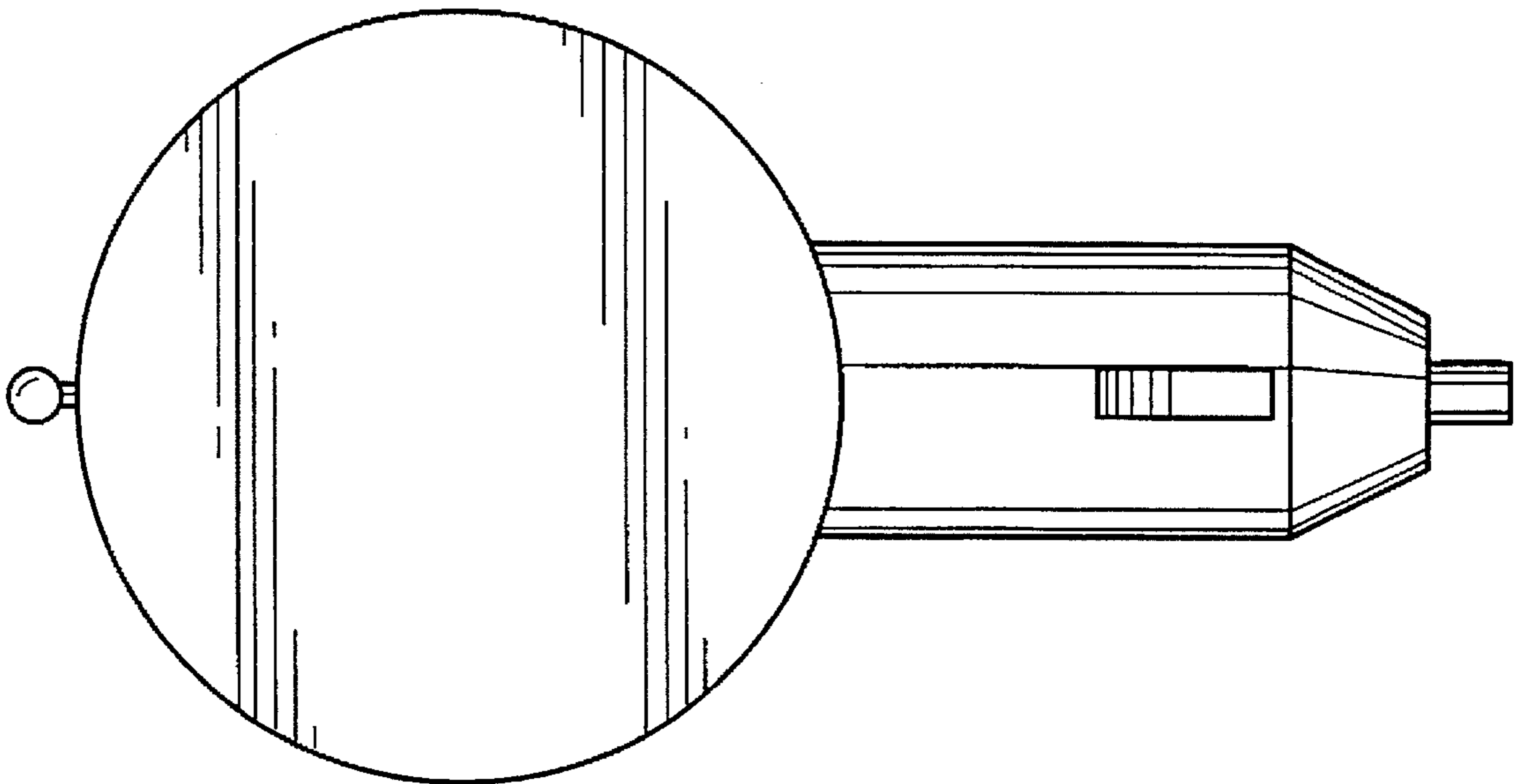


FIG. 7

