



US00D381114S

United States Patent [19]

[11] Patent Number: **Des. 381,114**

Xu

[45] Date of Patent: ****Jul. 15, 1997**

[54] **WORKLIGHT COMPRISING TWIN HALOGEN FLOODLIGHTS AND AN ADJUSTABLE STAND**

OTHER PUBLICATIONS

Regent Lighting Corp. Catalog, Dated prior to 1994, p. 25.
Regent Lighting Corp., Burlington, NC prior to Dec. 1995.
Regent Lighting Corp. Catalog 900-0229, Published 1994,
Excerpt from p. 28, Regent Lighting Corp., Burlington, NC.

[75] Inventor: **Zhiwei David Xu**, Greensboro, N.C.

Primary Examiner—Marcus A. Jackson

[73] Assignee: **Regent Lighting Corporation**,
Burlington, N.C.

[**] Term: **14 Years**

[57] CLAIM

[21] Appl. No.: **48,029**

The ornamental design for a worklight comprising twin halogen floodlights and an adjustable stand, as shown and described.

[22] Filed: **Dec. 18, 1995**

DESCRIPTION

Related U.S. Application Data

[63] Continuation of Ser. No. 32,625, Dec. 22, 1994, abandoned.

FIG. 1 is an isometric view of a worklight comprising twin halogen floodlights and an adjustable stand, the worklight embodying the design of the present invention.

[51] LOC (6) Cl. **26-99**

[52] U.S. Cl. **D26/140; D26/63**

FIG. 2 is an enlarged front elevational view of one of the two floodlights with a fragmentary portion of the light bar with the cord broken away for convenience of illustration only; FIG. 3 is an enlarged top plan view of one of the two floodlights with a fragmentary portion of the light bar;

[58] Field of Search D26/63, 93, 140,
D26/138; 248/121, 122, 125, 168, 169,
170, 171; 362/61, 72, 80, 250, 427

FIG. 4 is an enlarged rear elevational view of one of the two floodlights with a fragmentary portion of the stand and the light bar; and,

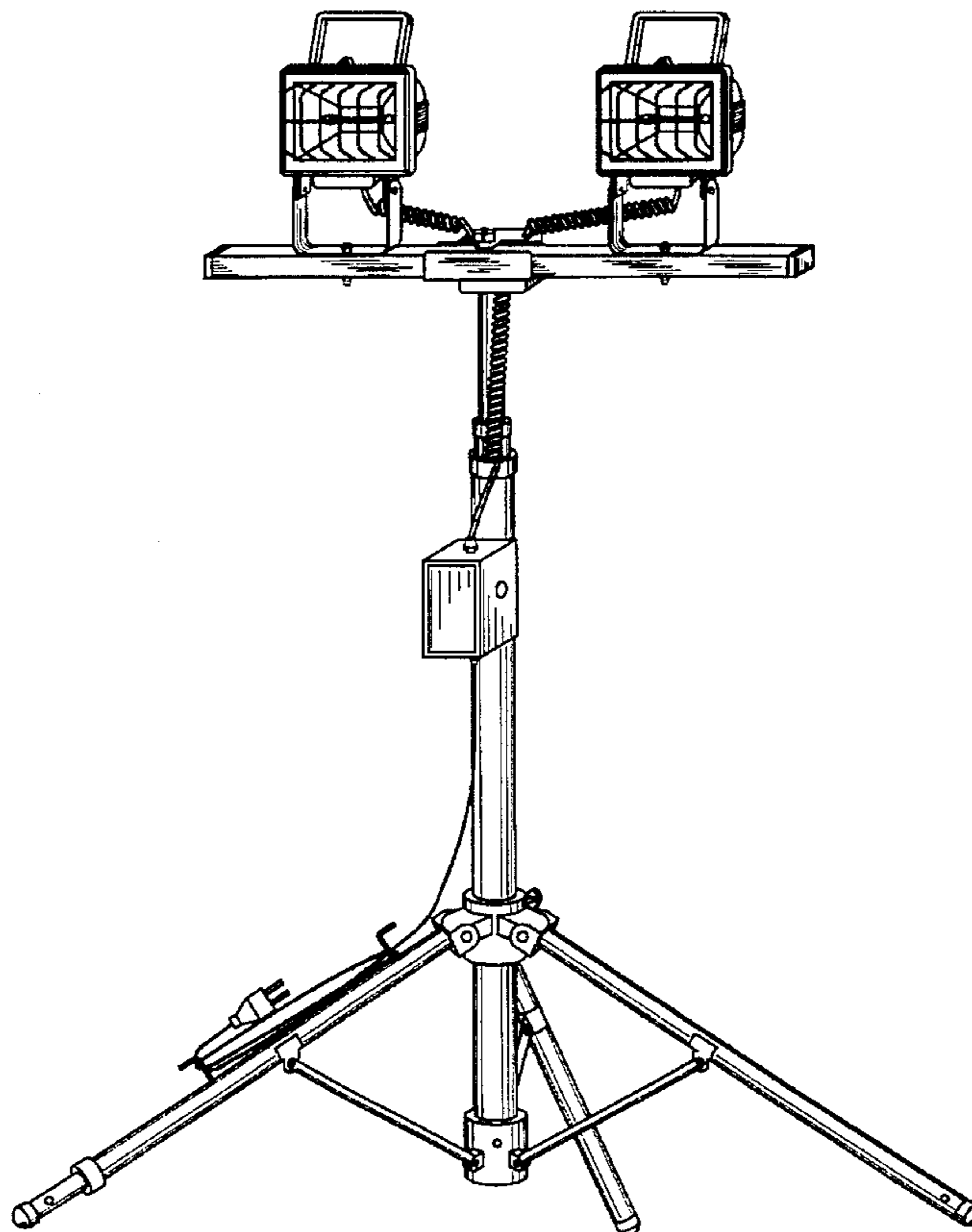
[56] References Cited

U.S. PATENT DOCUMENTS

D. 211,390	6/1968	Woods	D26/140
D. 215,474	10/1969	Moore	D26/140
D. 324,584	3/1992	Beavers et al.	D26/140
D. 345,026	3/1994	Pottebaum	D26/140
4,988,064	1/1991	Hoshino	248/170
5,306,871	4/1994	Shih-Wang-Lai	362/431 X

FIG. 5 is an enlarged side elevational view of one of the two floodlights and the light bar with fragmentary portions of the stand.

1 Claim, 5 Drawing Sheets



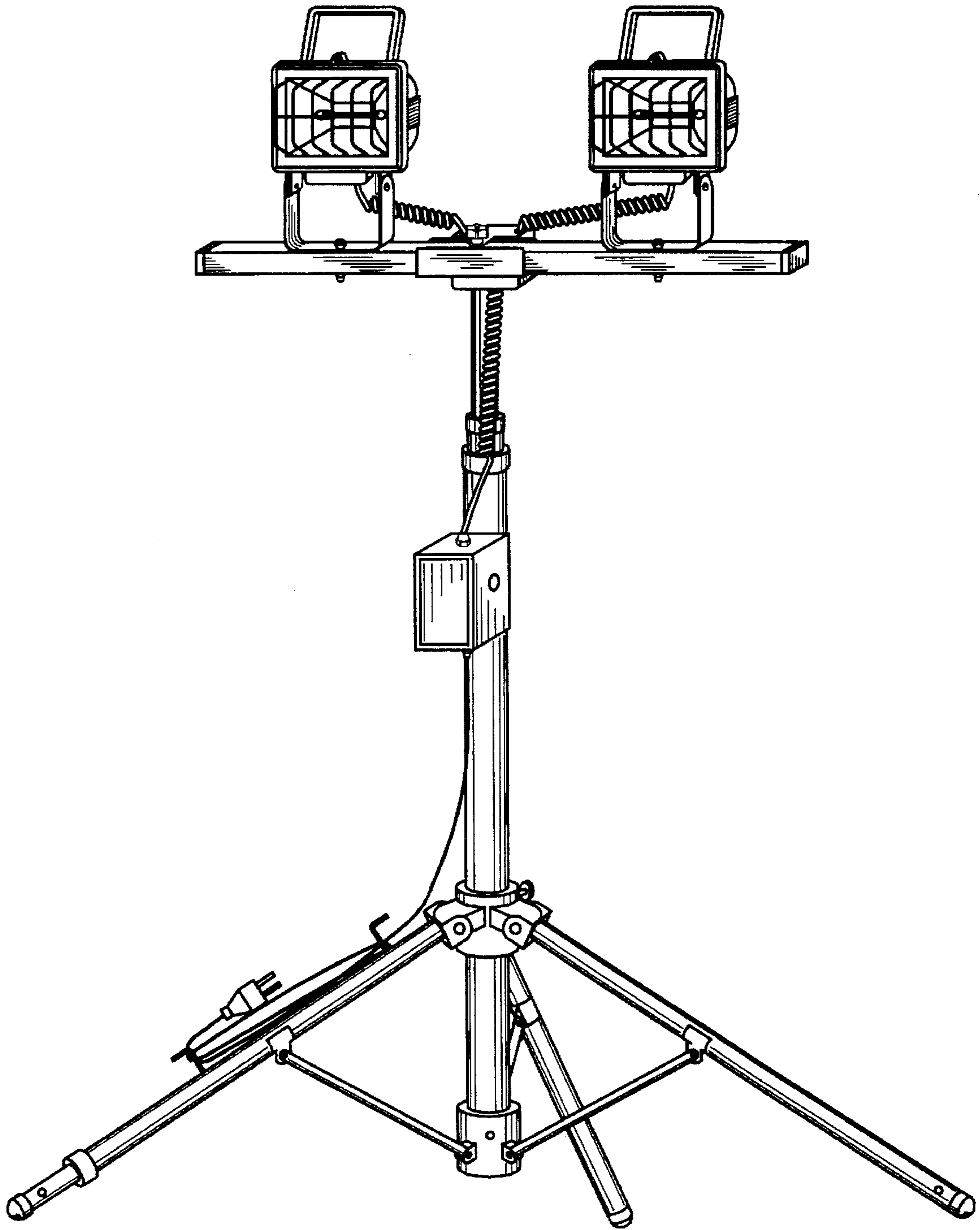


Fig. 1

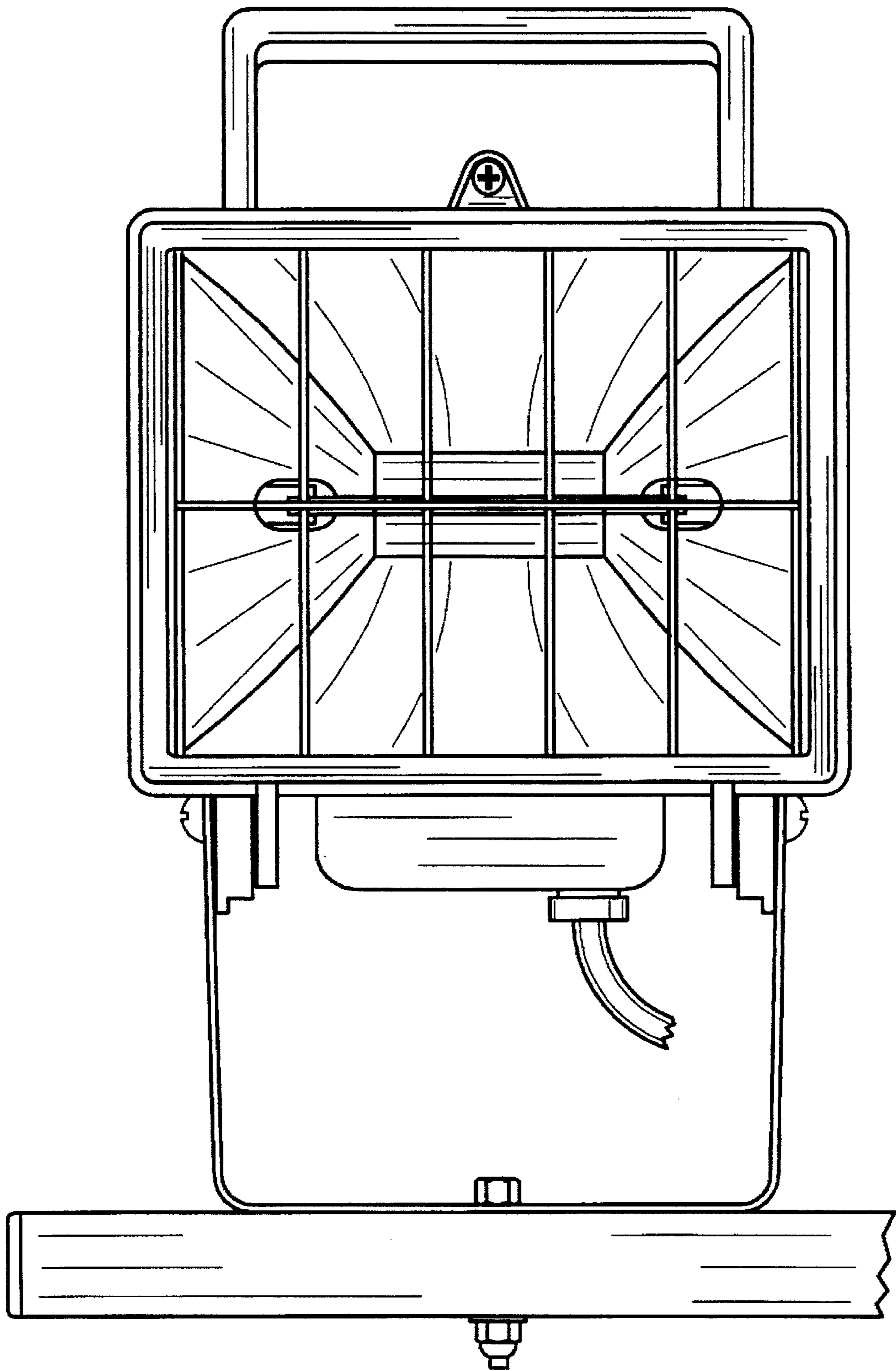


Fig. 2

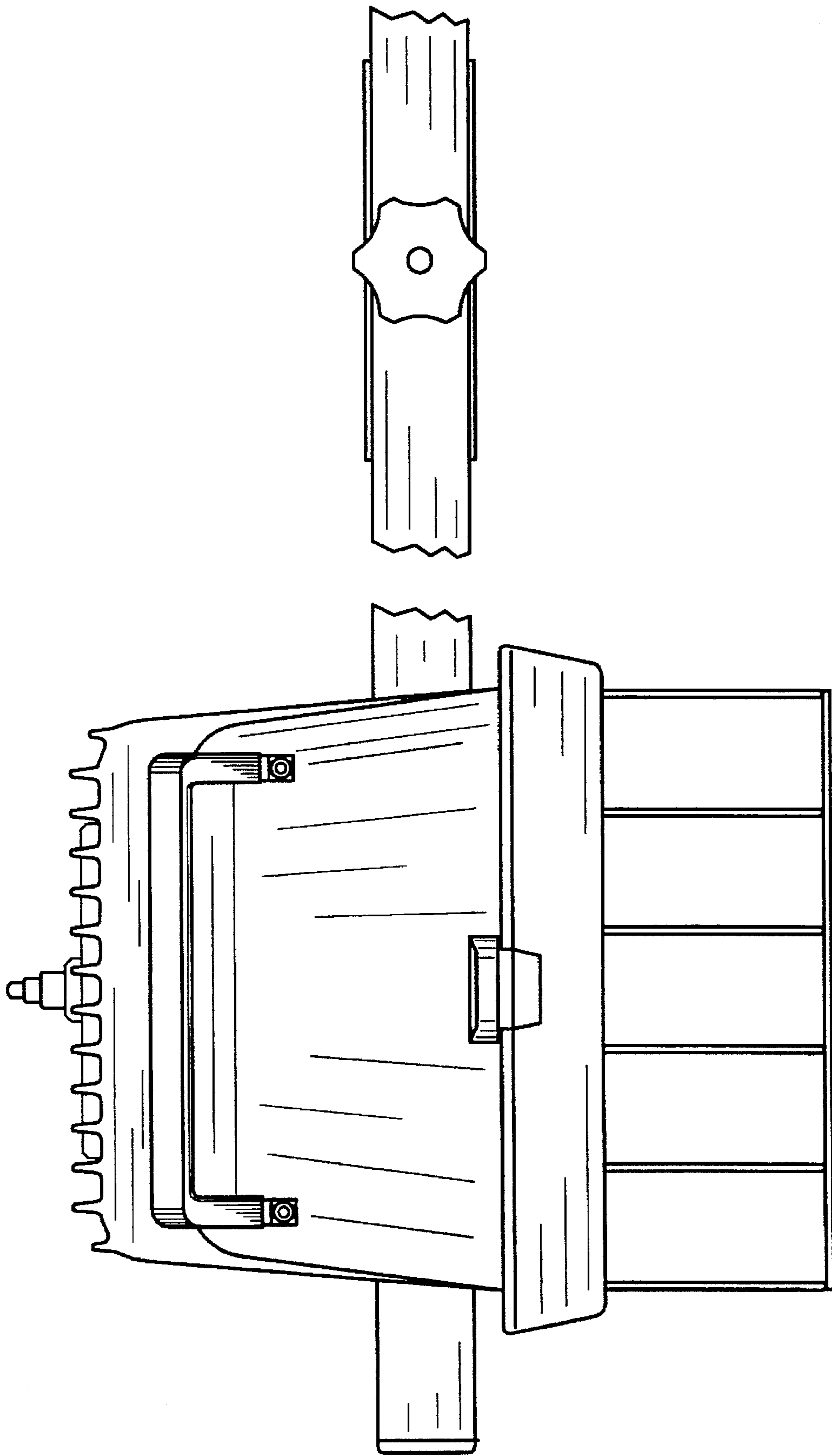


Fig. 3

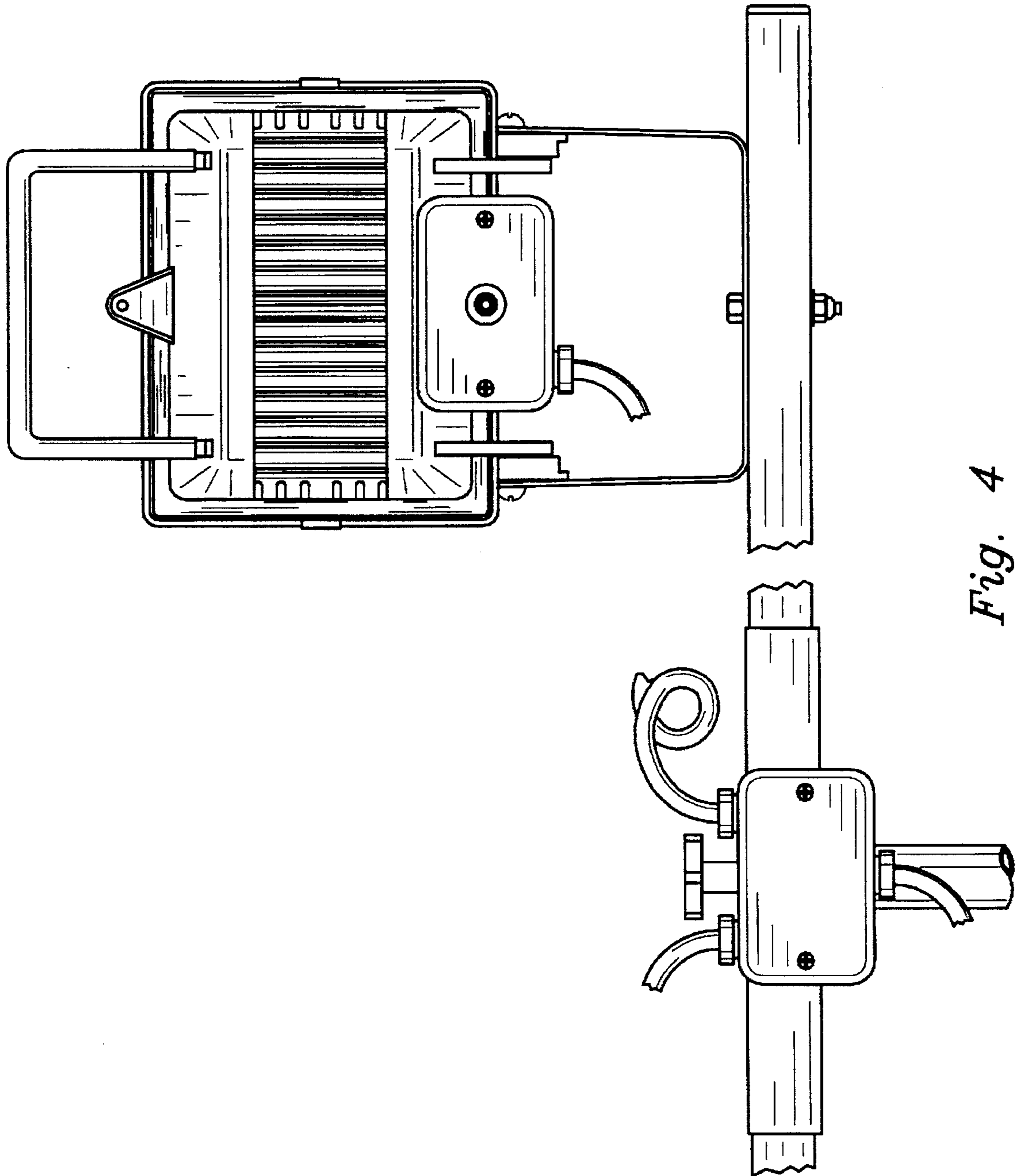


Fig. 4

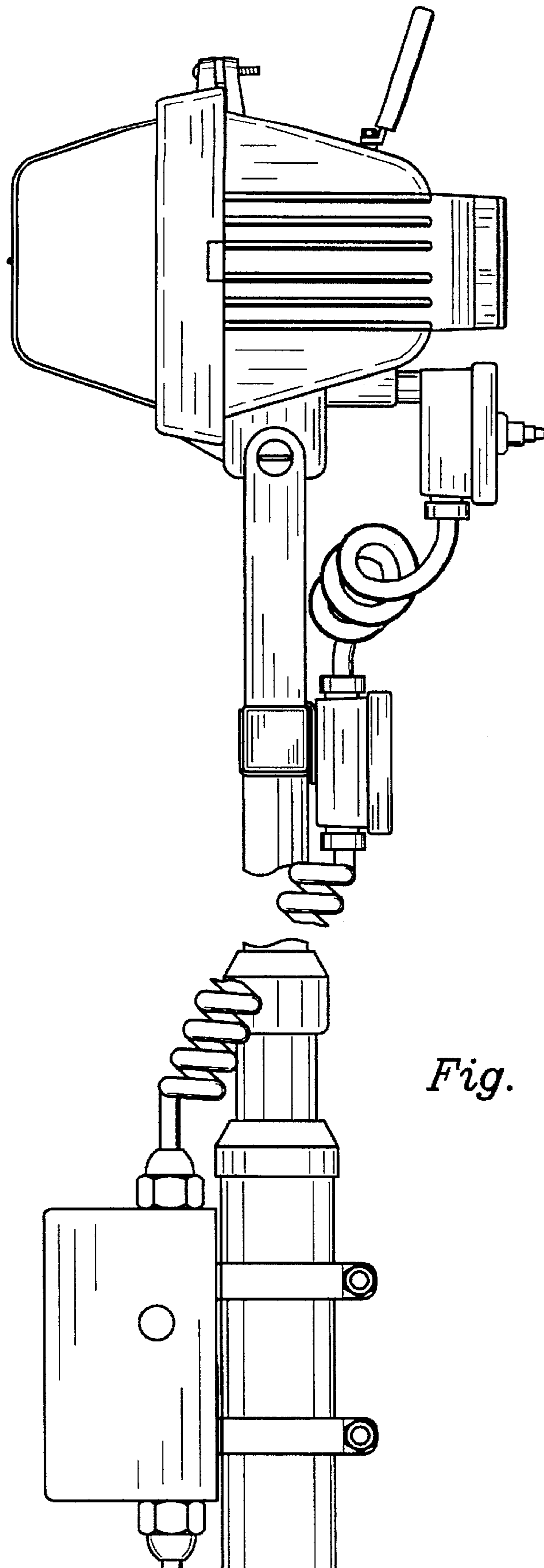


Fig. 5