



US00D381111S

# United States Patent [19]

Lecluze

[11] Patent Number: **Des. 381,111**

[45] Date of Patent: **\*\*Jul. 15, 1997**

[54] TRIM FOR EMBEDDED LIGHT FIXTURE

D. 370,550 6/1996 Lecluze ..... D26/74 X

[76] Inventor: **Michel Lecluze**, 1009, rue du Parc Industriel, St-Jean-Chrysostome, Québec, Canada, G6Z 1C5

*Primary Examiner*—Susan J. Lucas  
*Attorney, Agent, or Firm*—Jean H. Dubuc

[\*\*] Term: **14 Years**

[57] **CLAIM**

The ornamental design for a trim for embedded light fixture, as shown and described.

[21] Appl. No.: **54,036**

[22] Filed: **May 6, 1996**

**DESCRIPTION**

[51] LOC (6) Cl. .... **26-99**

[52] U.S. Cl. .... **D26/118; D26/74**

[58] Field of Search ..... D26/74, 113, 118, D26/152; 362/147, 148, 277, 269, 364, 365, 366, 346, 341

FIG. 1 is a bottom perspective view of a trim for embedded light fixture showing my new design;

FIG. 2 is a side view thereof;

FIG. 3 is a side view thereof as seen from the left of FIG. 2;

FIG. 4 is a bottom plan view thereof; and,

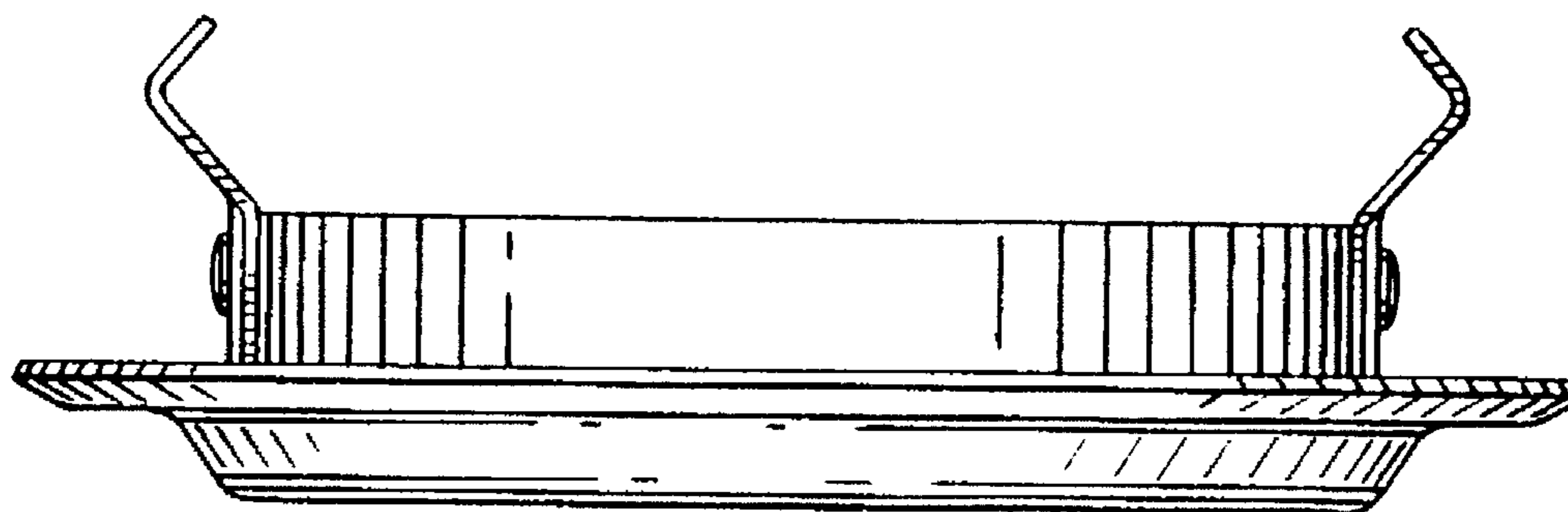
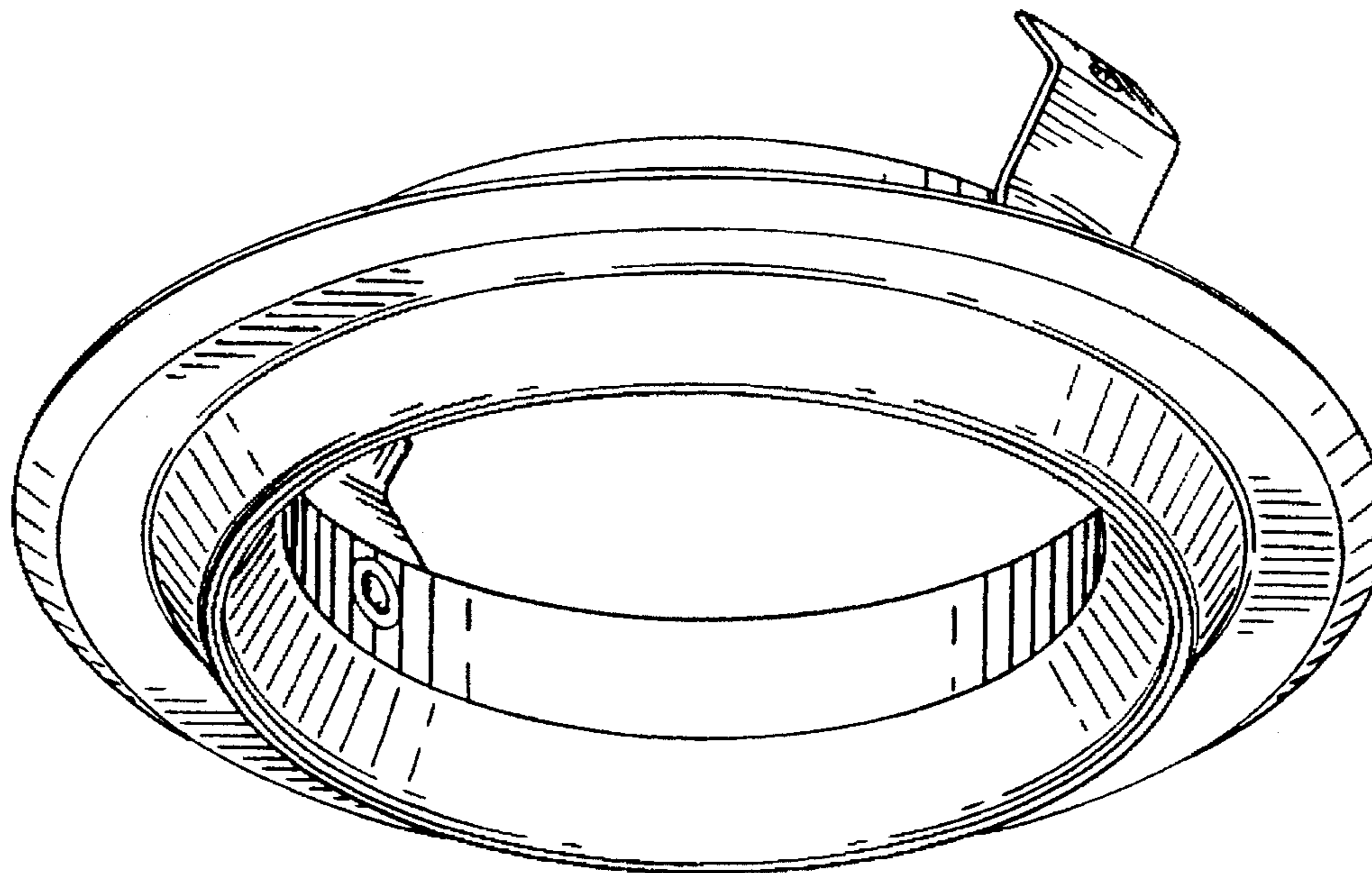
FIG. 5 is a top plan view thereof.

[56] **References Cited**

**U.S. PATENT DOCUMENTS**

D. 353,910 12/1994 Hayman et al. .... D26/118

**1 Claim, 2 Drawing Sheets**



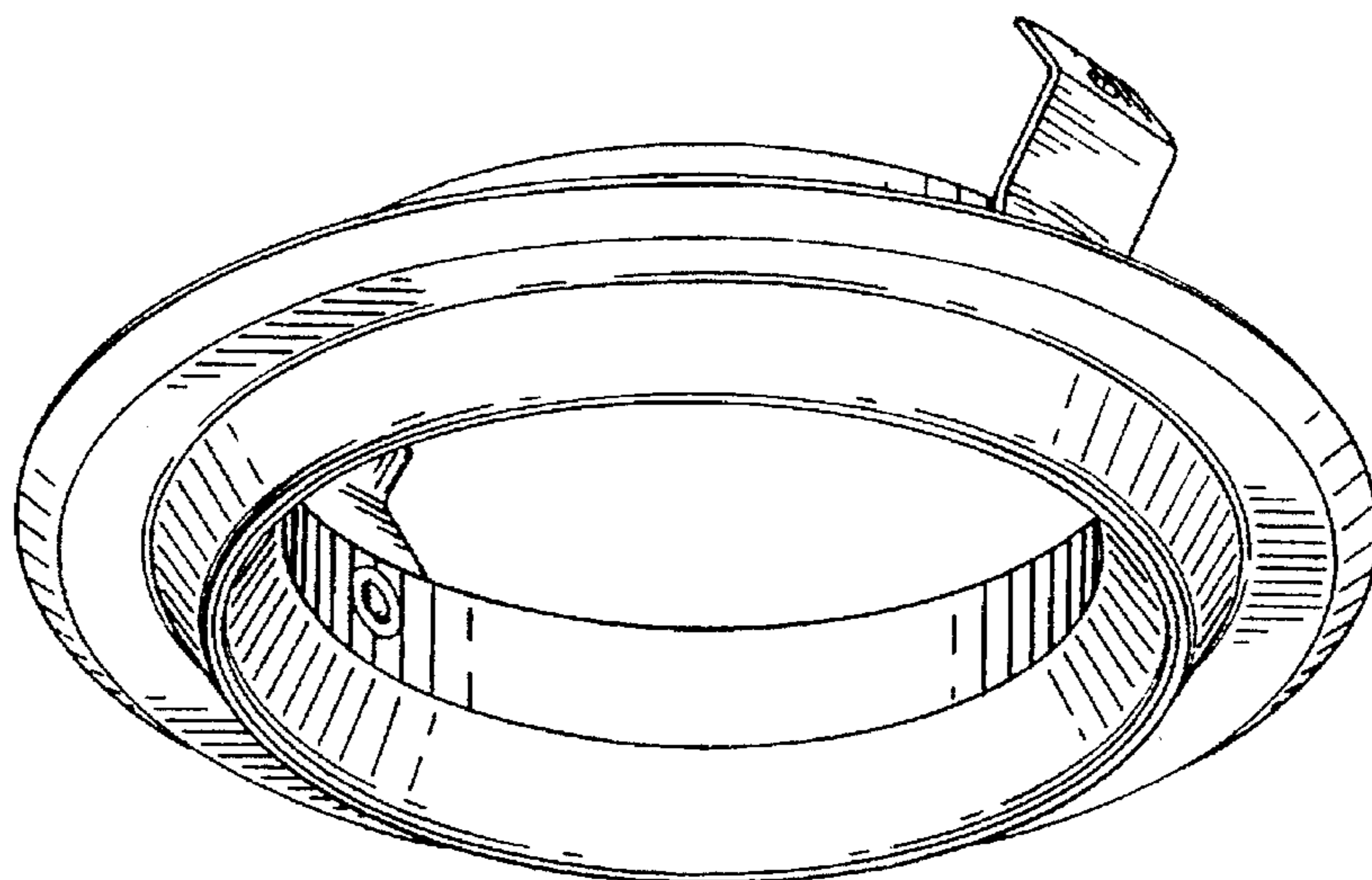


FIG. 1

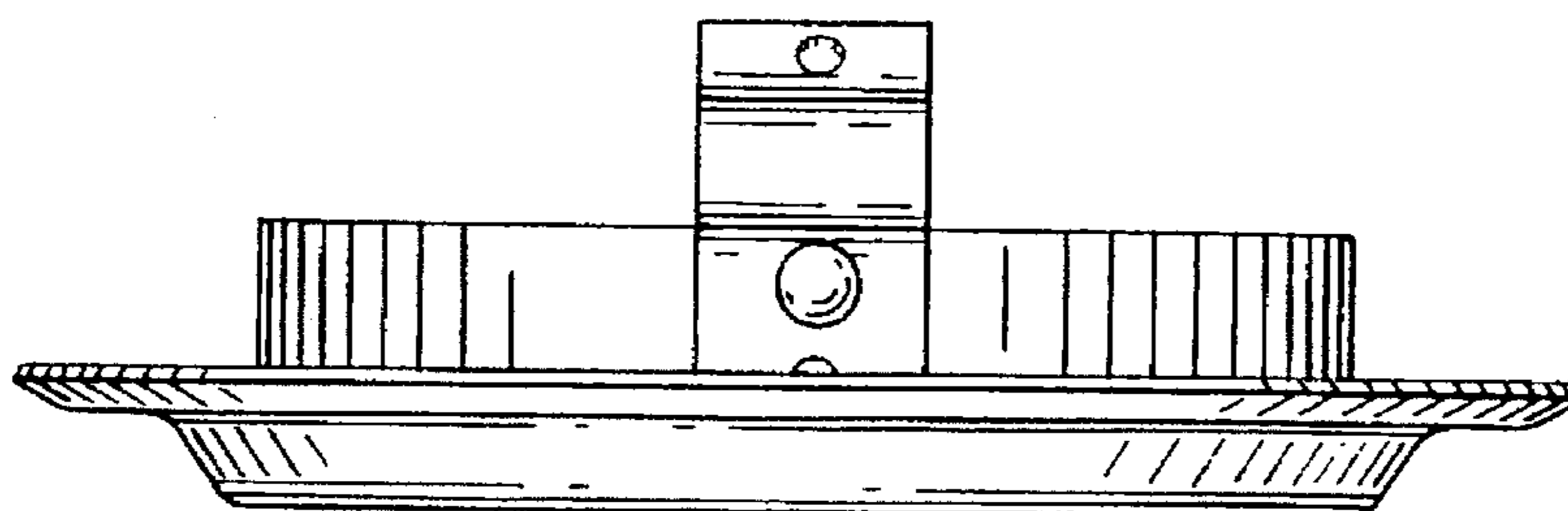


FIG. 2

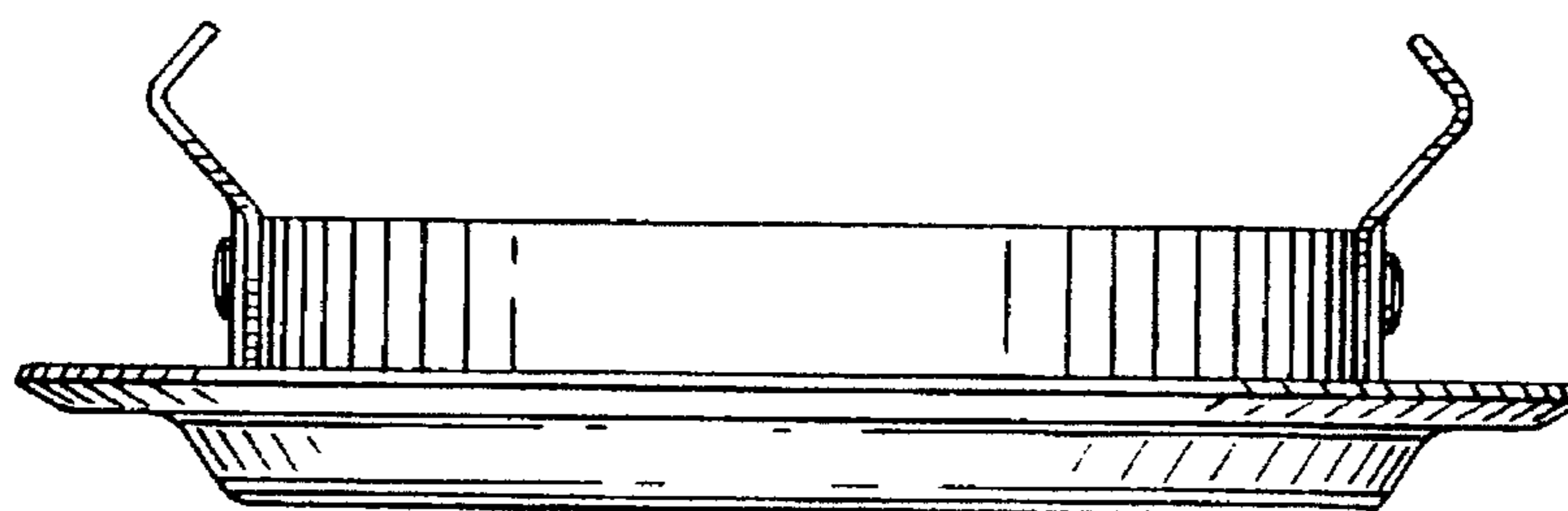


FIG. 3

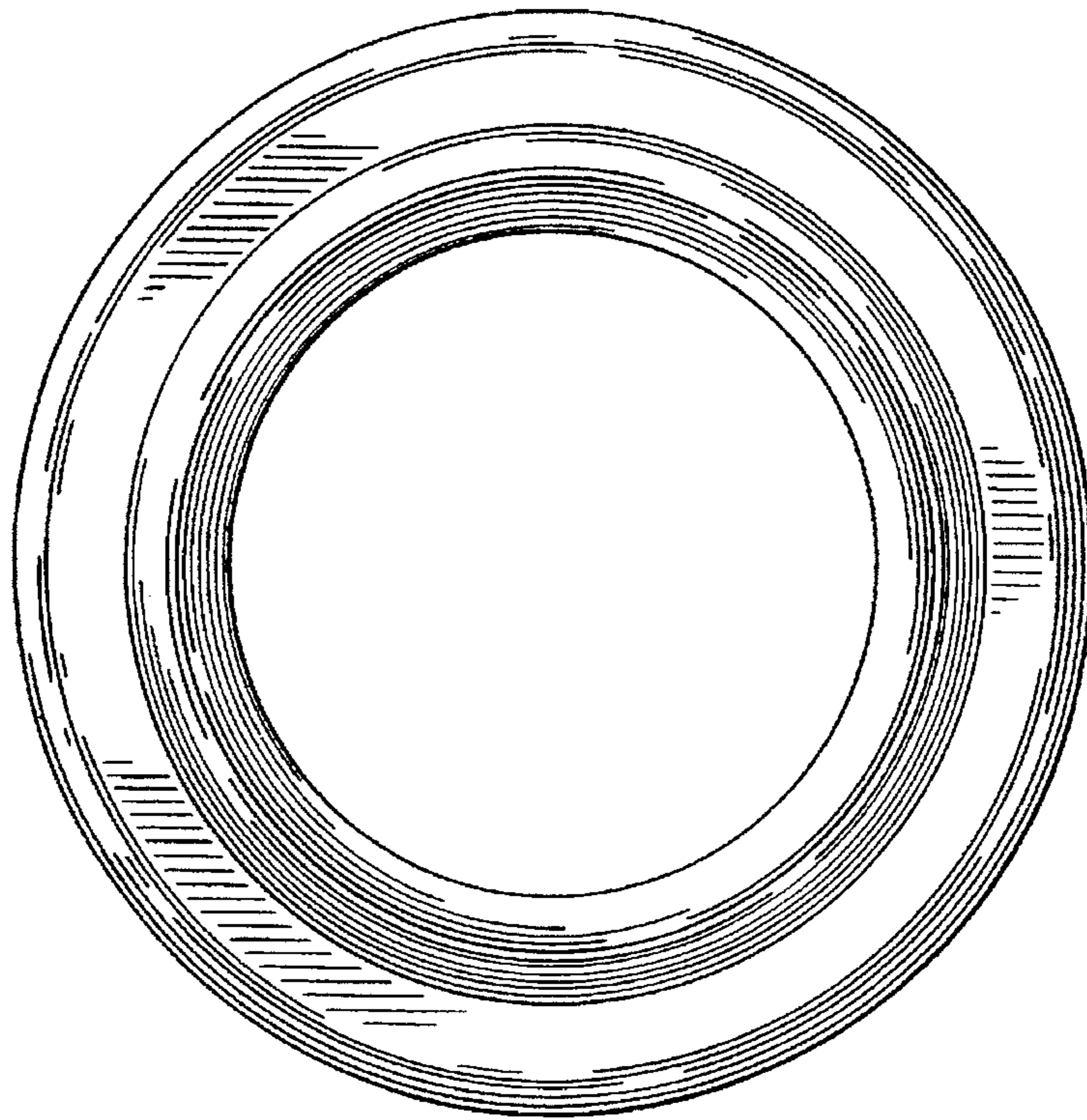


FIG. 4

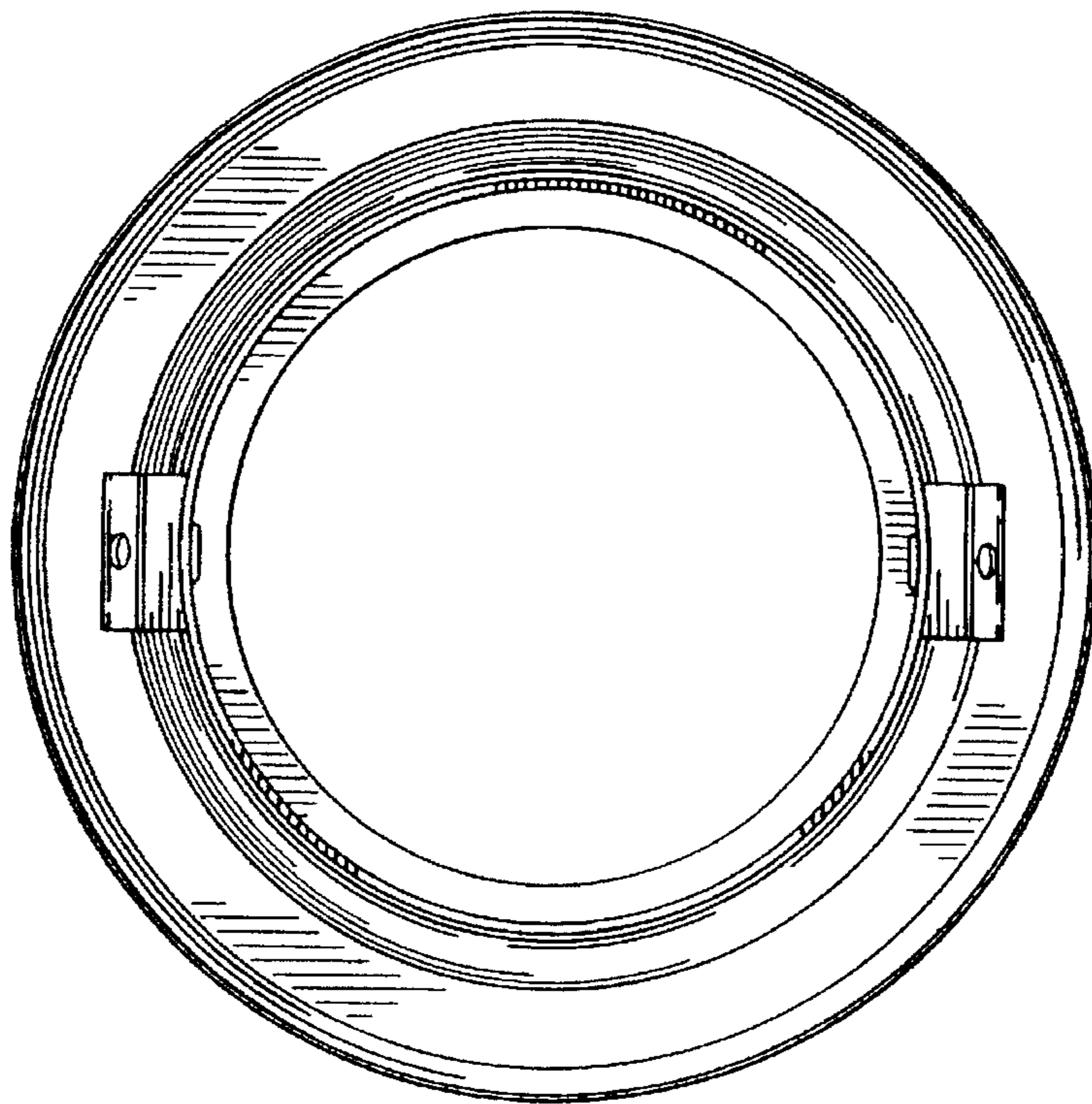


FIG. 5