



US00D381109S

# United States Patent [19]

[11] Patent Number: **Des. 381,109**

Wang

[45] Date of Patent: **\*\*Jul. 15, 1997**

[54] LAMP

### OTHER PUBLICATIONS

[76] Inventor: **Kuang-Ting Wang**, 2F., No. 23-3, Alley 160, Lane Yi Pen, Du Hsing Rd., Panchiao City, Taipei Hsien, Taiwan

Domus, Nov. 1978, ADS-p. 29, "Sirrah" Table Lamp. Home Lighting & accessories, Dec. 1992, p. 162, Table Lamp (2nd From Left).

[\*\*] Term: **14 Years**

*Primary Examiner*—Susan J. Lucas  
*Attorney, Agent, or Firm*—Pro-Techtor International

[21] Appl. No.: **48,844**

### [57] CLAIM

[22] Filed: **Jan. 11, 1996**

The ornamental design for a lamp, as shown and described.

[51] LOC (6) Cl. .... **26-05**

### DESCRIPTION

[52] U.S. Cl. .... **D26/107**

FIG. 1 is a perspective view of a lamp showing my new design;

[58] Field of Search ..... D26/93, 102-112;

362/410-414

FIG. 2 is a front elevational view thereof;

FIG. 3 is a rear elevational view thereof;

FIG. 4 is a top plan view thereof;

FIG. 5 is a bottom plan view thereof;

FIG. 6 is a left side elevational view thereof; and,

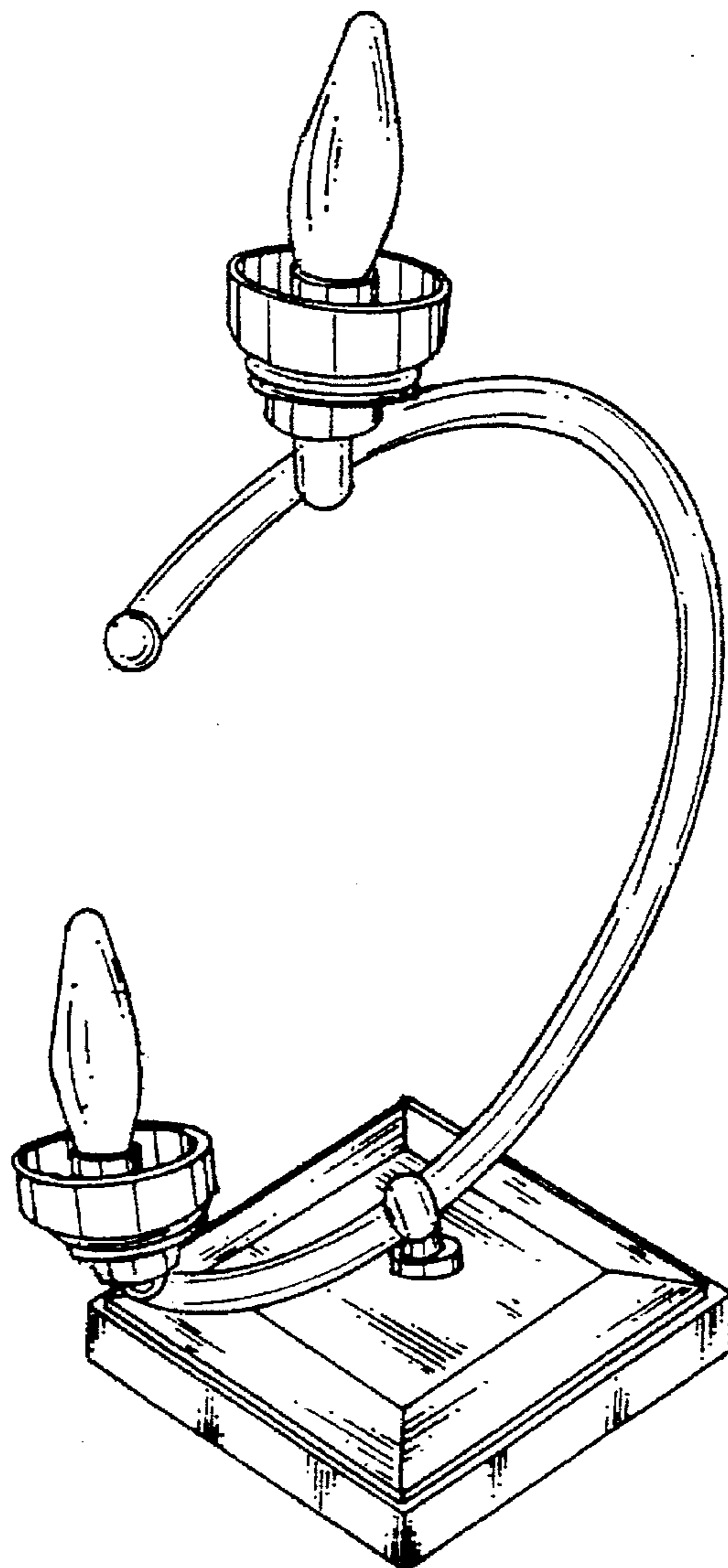
FIG. 7 is a right side elevational view thereof.

### [56] References Cited

#### U.S. PATENT DOCUMENTS

D. 94,409	1/1935	Chapman	.....	D26/107
D. 95,667	5/1935	Dickerson	.....	D26/107
D. 103,363	2/1937	Schwartz	.....	D26/107

**1 Claim, 6 Drawing Sheets**



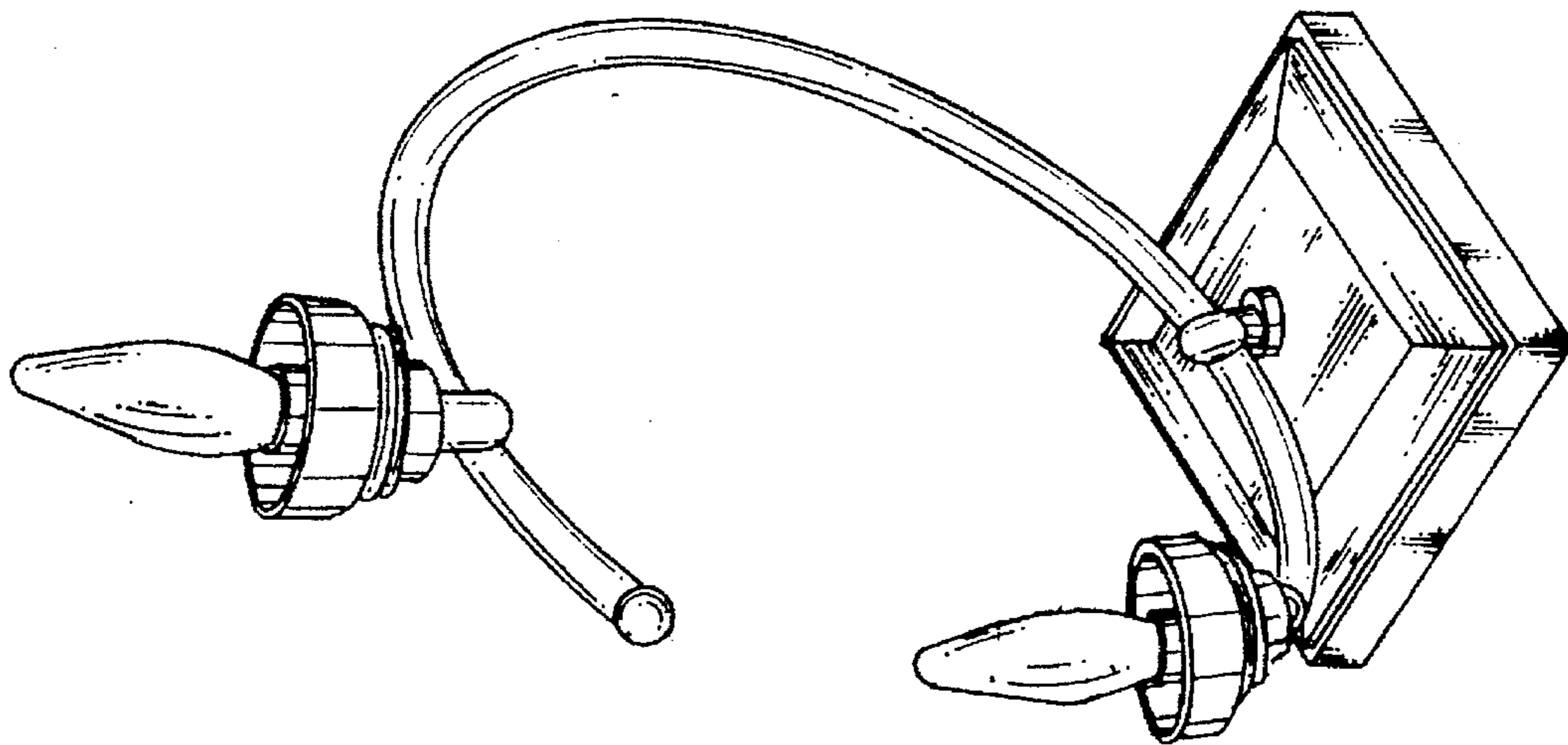


Fig. 1

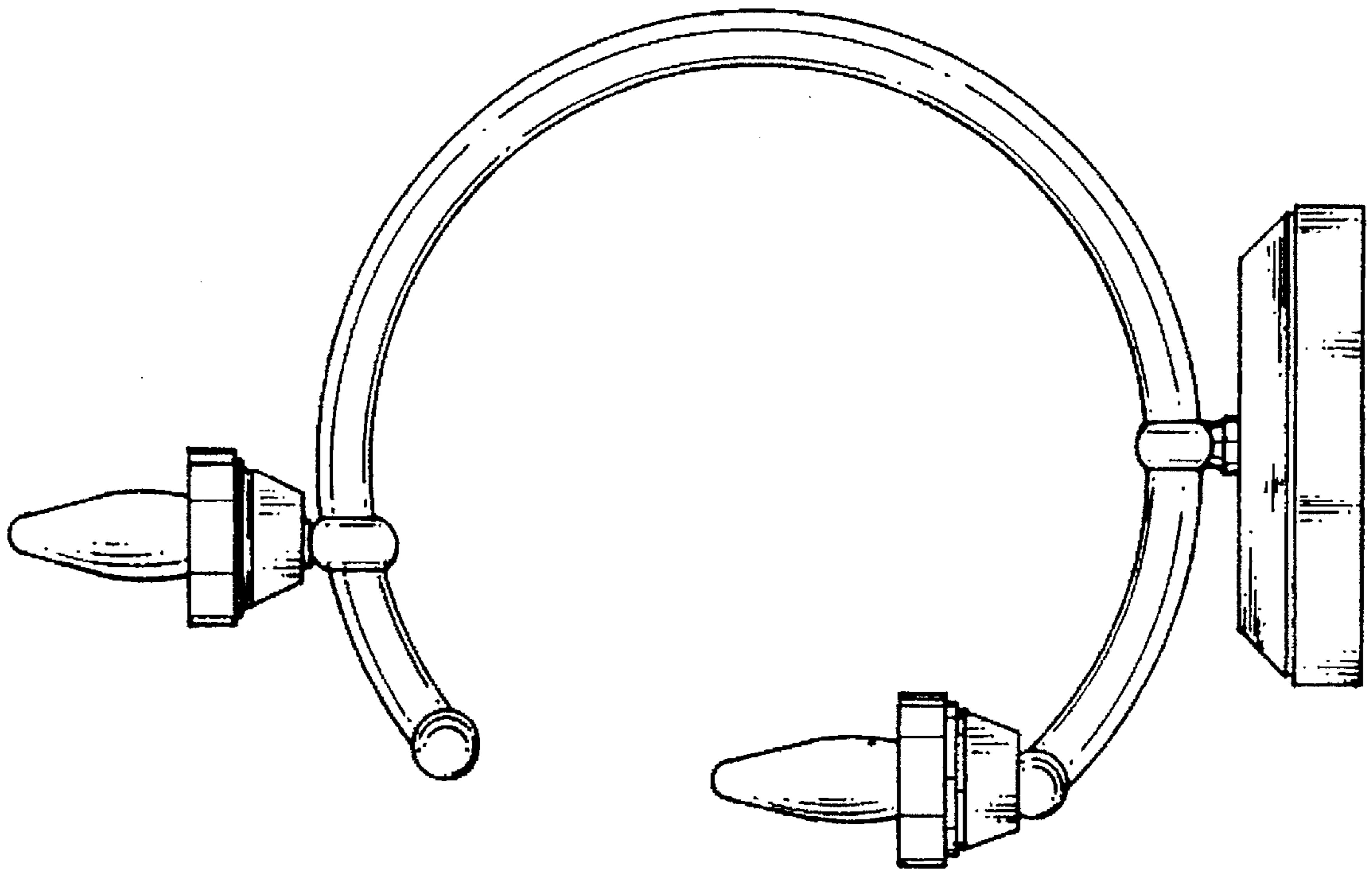


Fig. 2

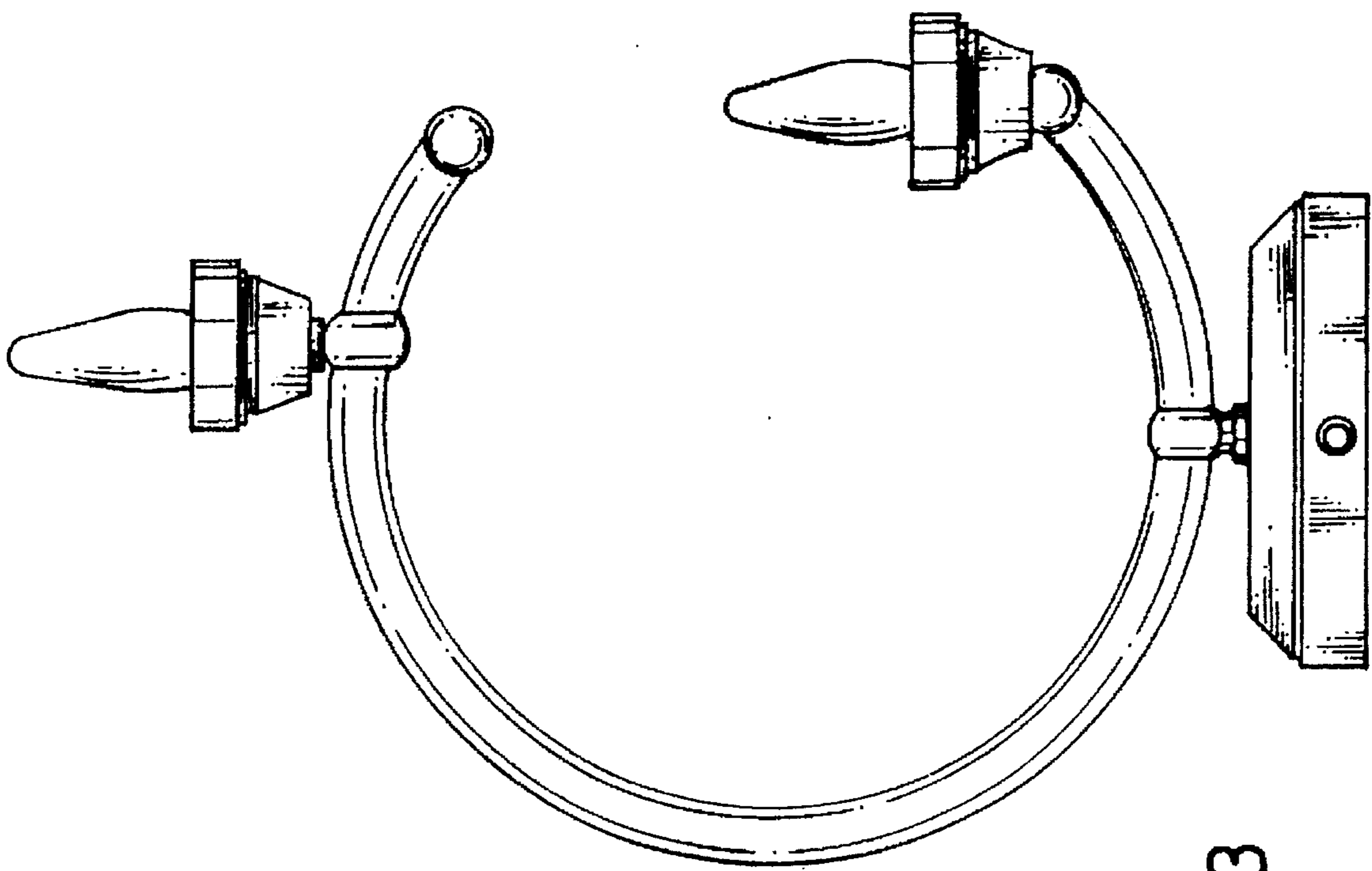


Fig. 3

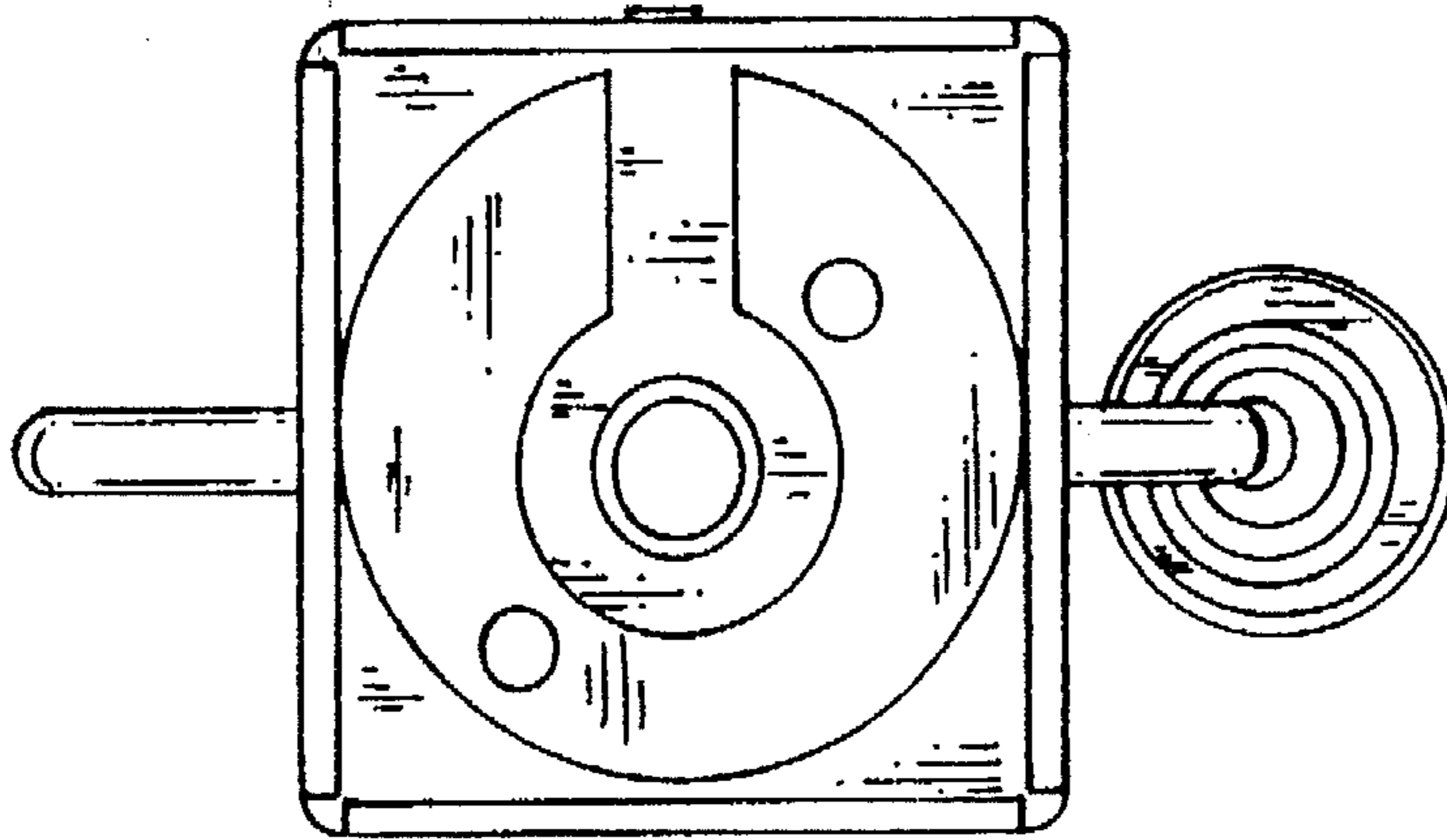


Fig. 5

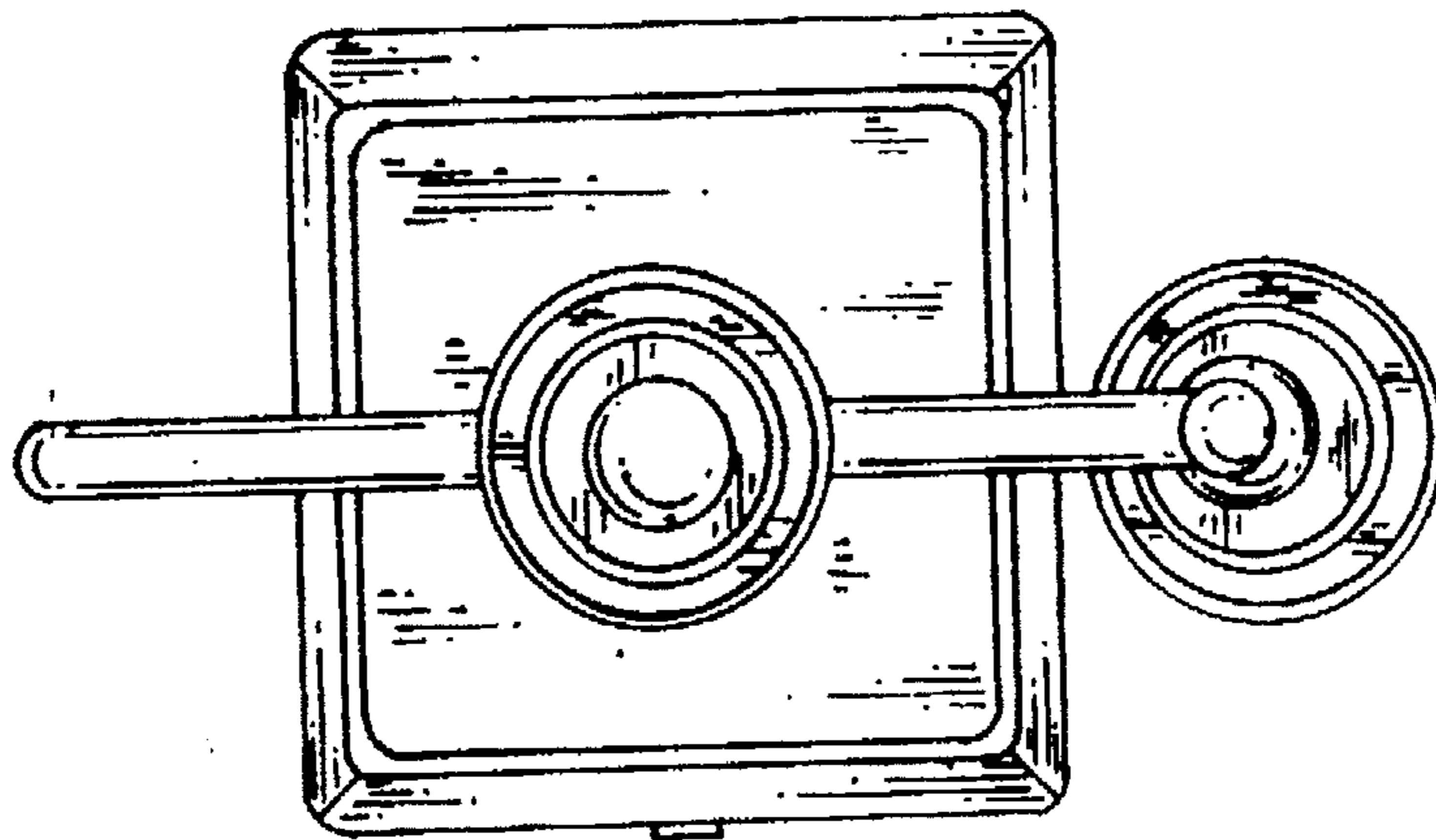


Fig. 4

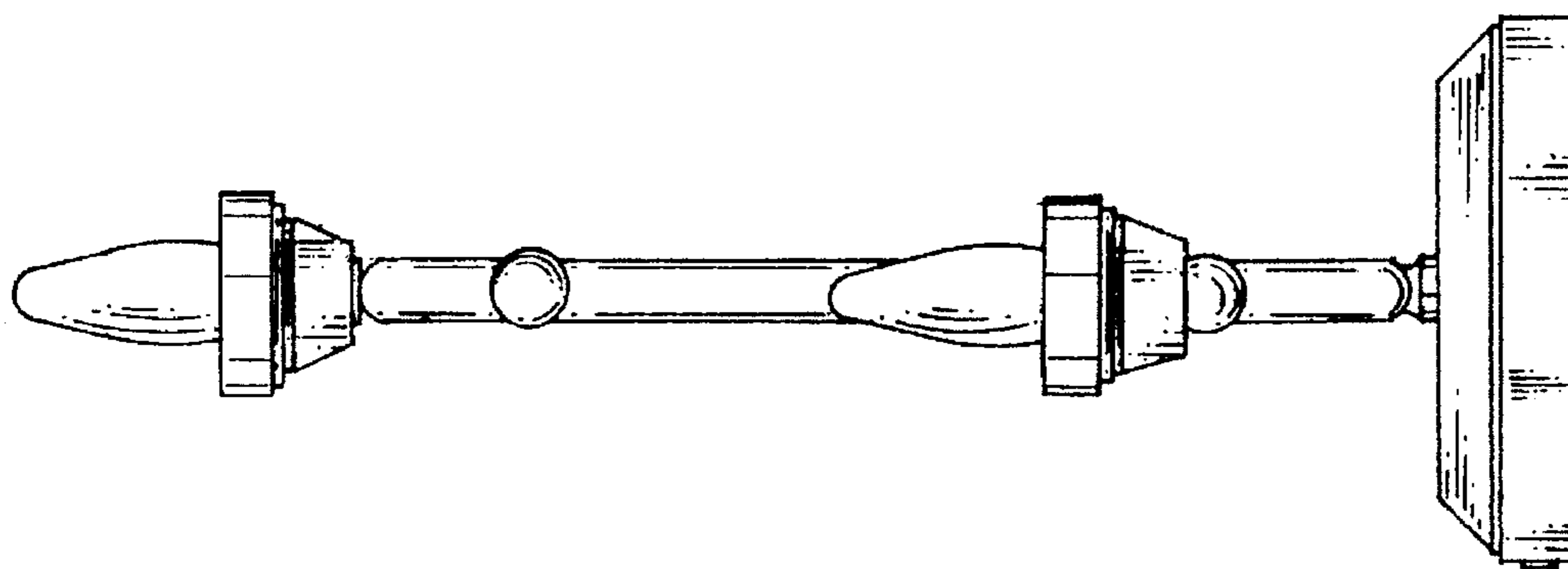


Fig. 6

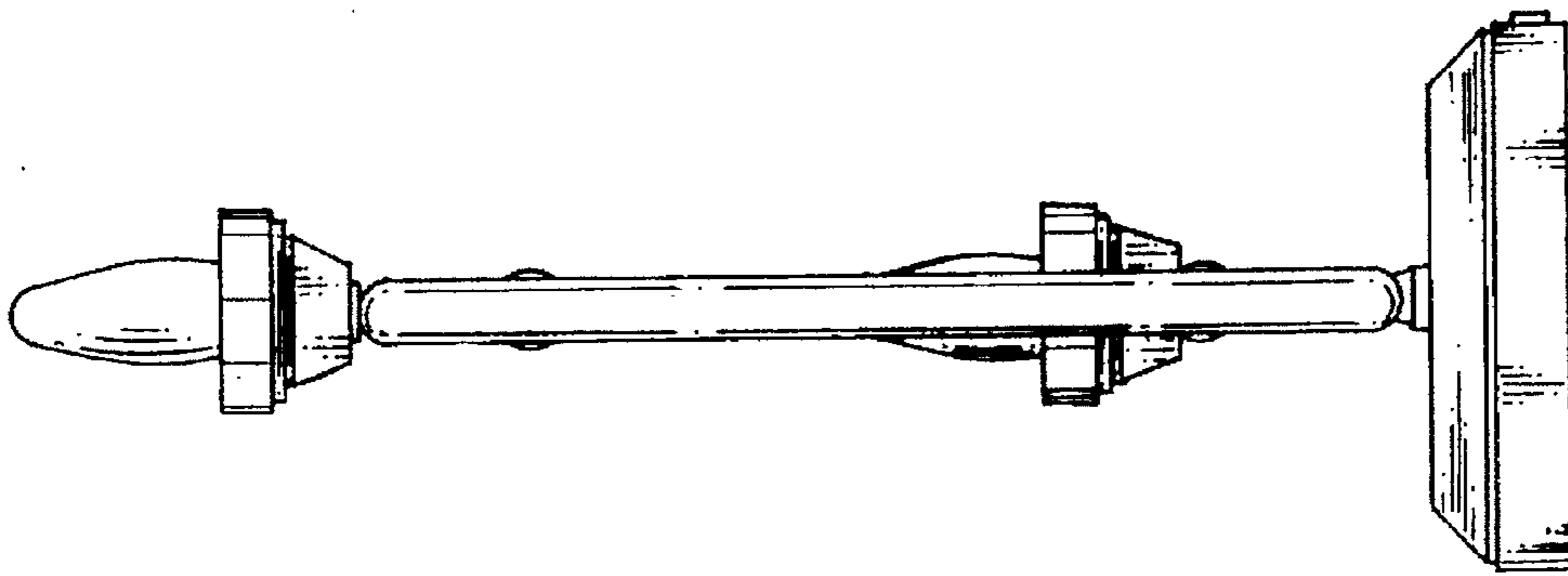


Fig. 7