



US00D381106S

# United States Patent [19]

Brohard et al.

[11] Patent Number: Des. 381,106

[45] Date of Patent: \*\*Jul. 15, 1997

## [54] PARKING LOT LUMINAIRE

[75] Inventors: **Bonnie J. Brohard**, Hebron; **Herbert A. Fouke**, Newark; **Peter A. Koloski**, Columbus, all of Ohio

[73] Assignee: **Holophane Corporation**, Newark, Ohio

[\*\*] Term: **14 Years**

[21] Appl. No.: **43,838**

[22] Filed: **Aug. 30, 1995**

[51] LOC (6) Cl. .... **26-03**

[52] U.S. Cl. .... **D26/67; D26/87**

[58] Field of Search ..... **D26/67, 68, 69, D26/70, 71, 72, 80-92; 362/147, 431, 432**

## [56] References Cited

### U.S. PATENT DOCUMENTS

- D. 239,861 5/1976 Van Steenhoven ..... D26/71
- D. 358,898 5/1995 Compton ..... D26/67

*Primary Examiner*—Susan J. Lucas  
*Attorney, Agent, or Firm*—Brooks & Kushman P.C.

## [57] CLAIM

The ornamental design for a parking lot luminaire, as shown and described.

## DESCRIPTION

FIG. 1 is a perspective view of a first embodiment of our new design;

FIG. 2 is a right side elevational view of the first embodiment;

FIG. 3 is a bottom plan view of the first embodiment;

FIG. 4 is a top plan view of the first embodiment;

FIG. 5 is a front elevational view of the first embodiment;

FIG. 6 is a rear elevational view of the first embodiment;

FIG. 7 is a perspective view of a second embodiment of our new design;

FIG. 8 is a right side elevational view of the second embodiment;

FIG. 9 is a bottom plan view of the second embodiment;

FIG. 10 is a top plan view of the second embodiment;

FIG. 11 is a front elevational view of the second embodiment;

FIG. 12 is a rear elevational view of the second embodiment;

FIG. 13 is a perspective view of a third embodiment of our new design;

FIG. 14 is a right side elevational view of the third embodiment;

FIG. 15 is a bottom plan view of the third embodiment;

FIG. 16 is a top plan view of the third embodiment;

FIG. 17 is a front elevational view of the third embodiment;

FIG. 18 is a rear elevational view of the third embodiment;

FIG. 19 is a perspective view of a fourth embodiment of our new design;

FIG. 20 is a right side elevational view of the fourth embodiment;

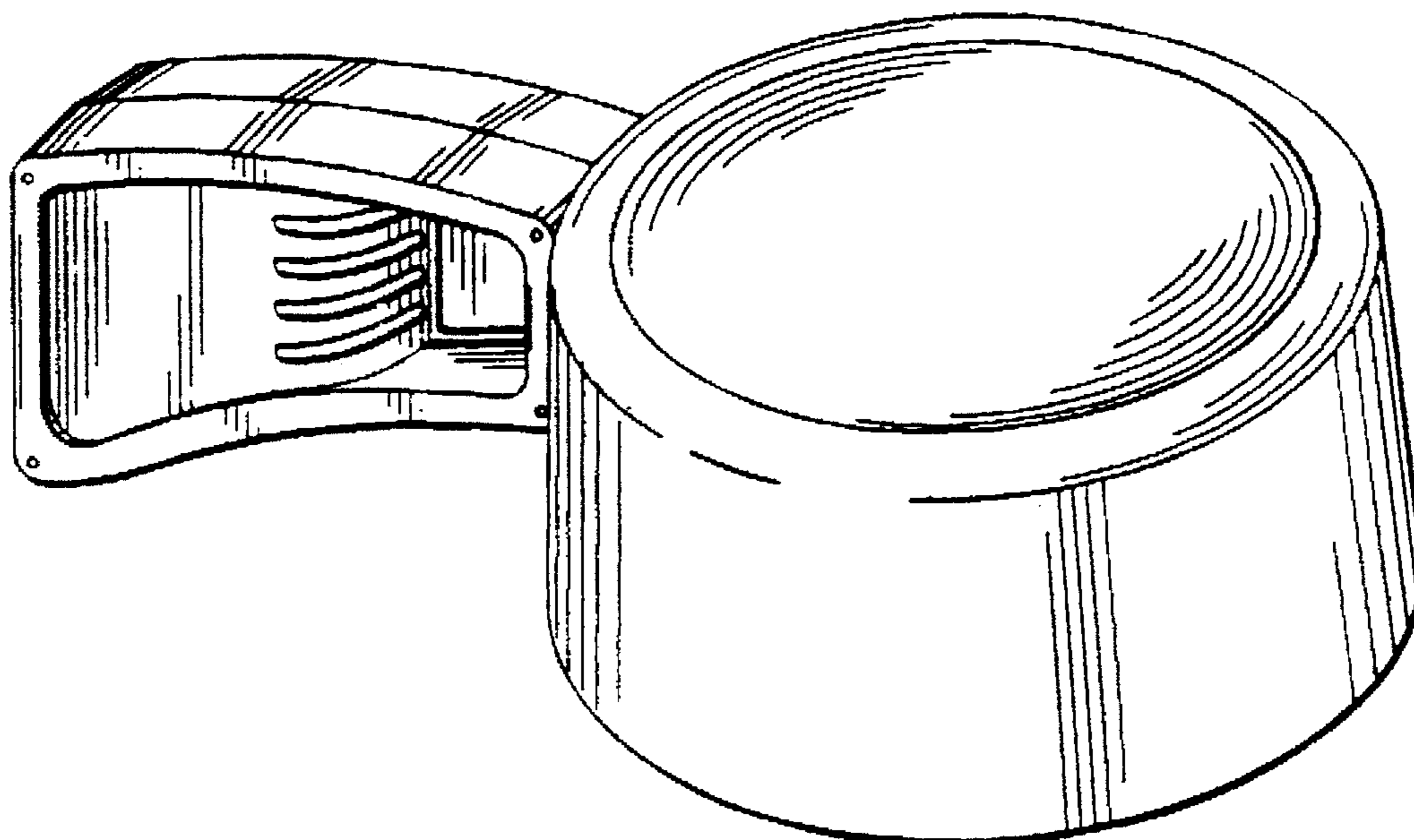
FIG. 21 is a bottom plan view of the fourth embodiment;

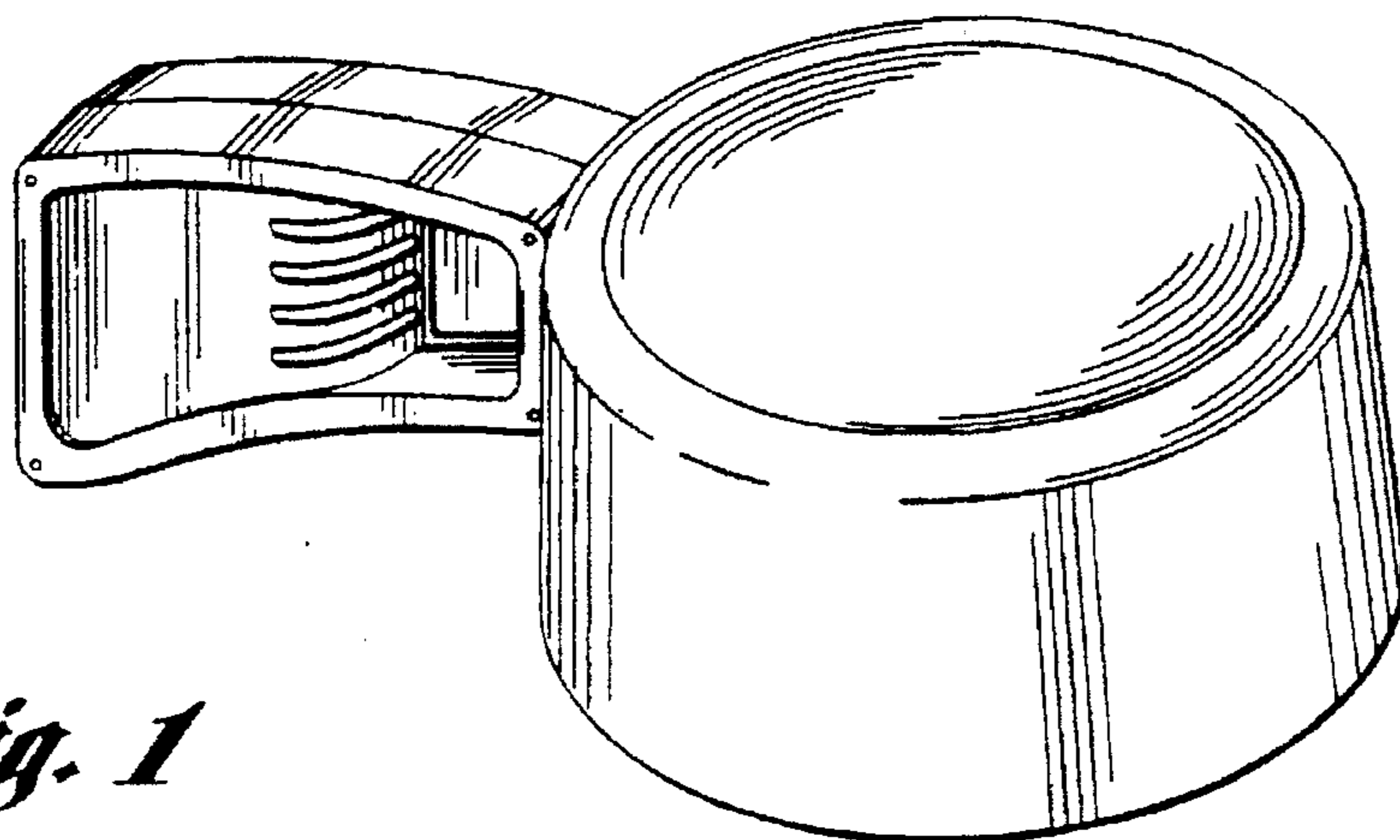
FIG. 22 is a top plan view of the fourth embodiment;

FIG. 23 is a front elevational view of the fourth embodiment; and,

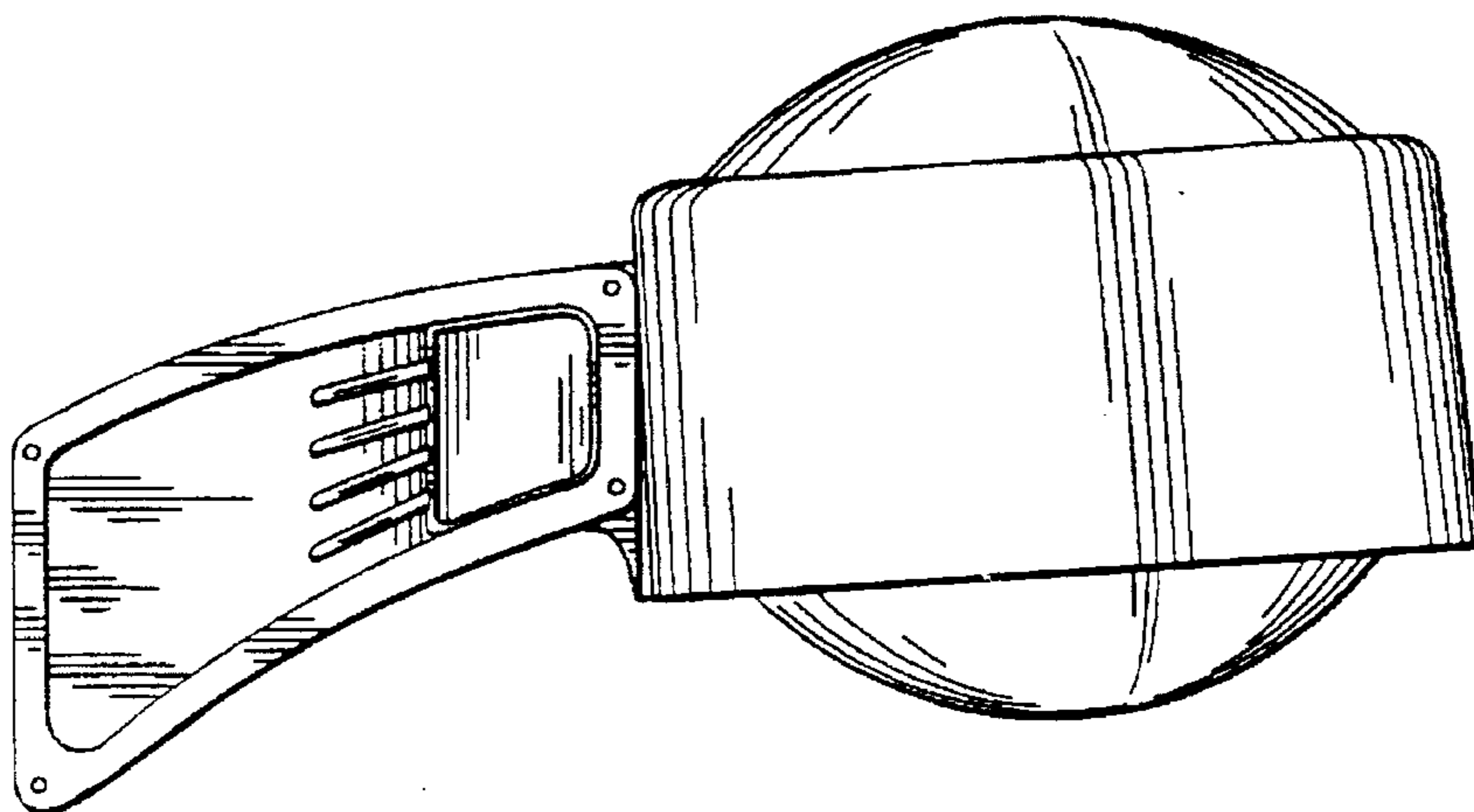
FIG. 24 is a rear elevational view of the fourth embodiment.

1 Claim, 8 Drawing Sheets

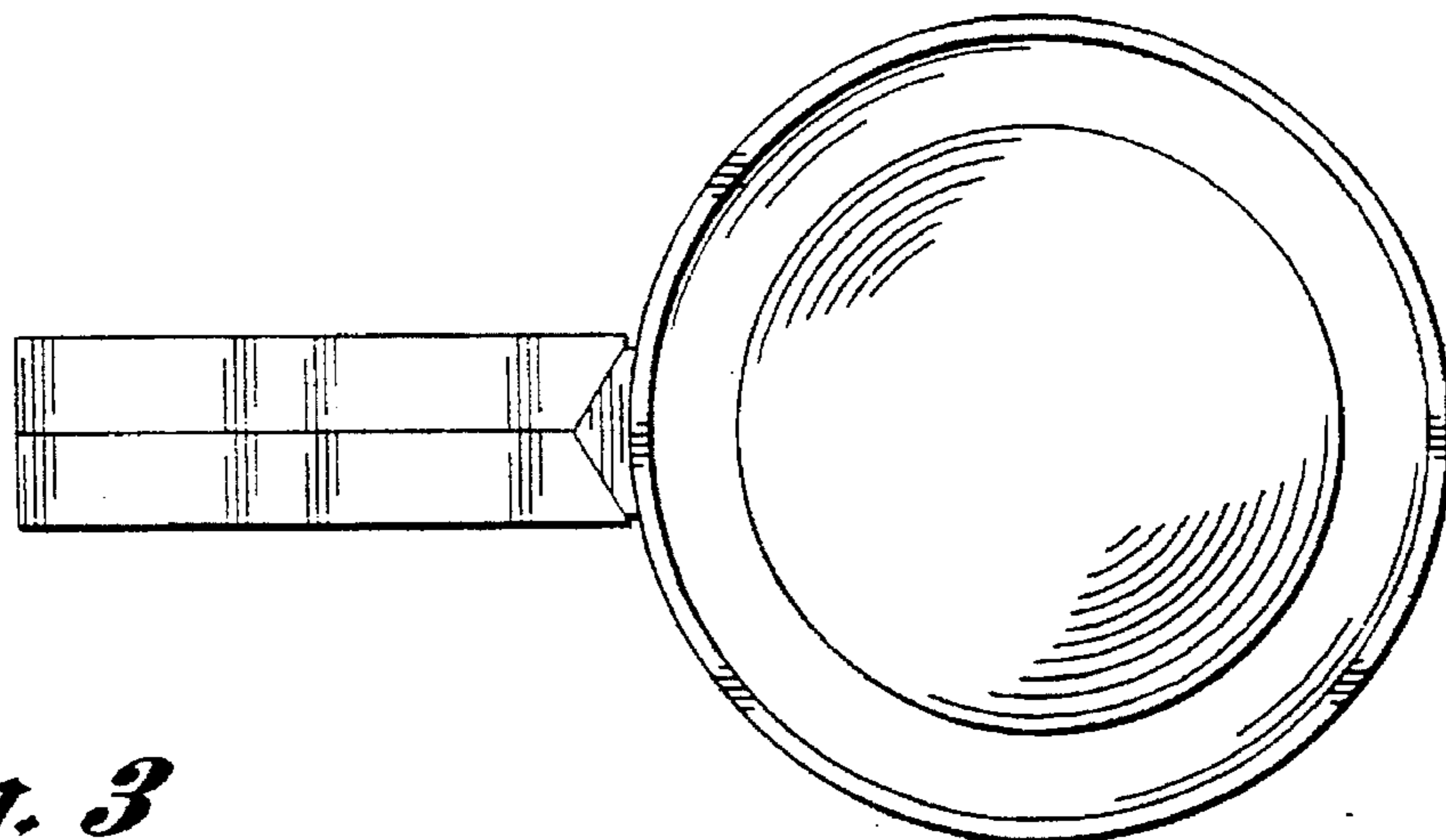




*Fig. 1*

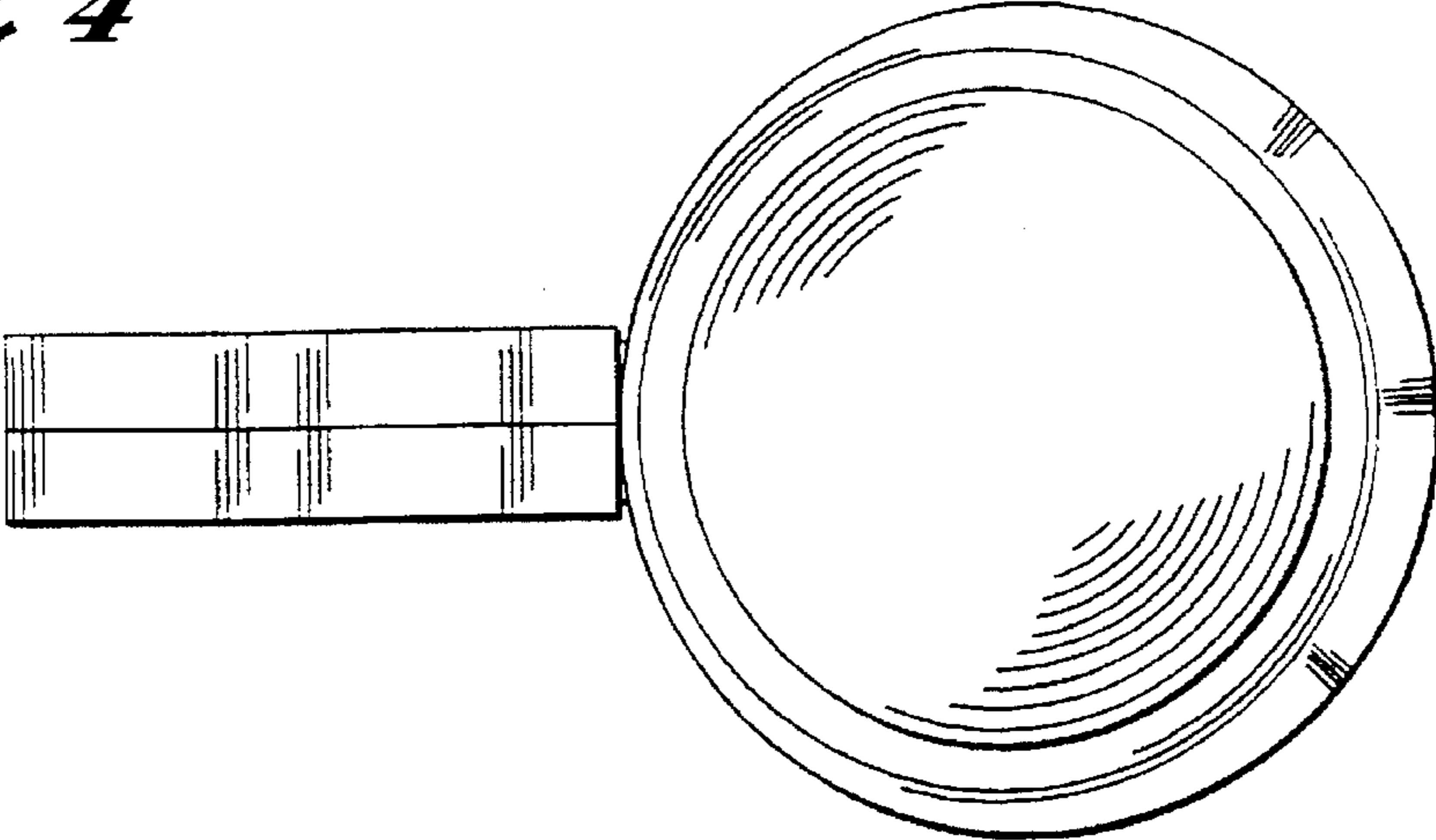


*Fig. 2*

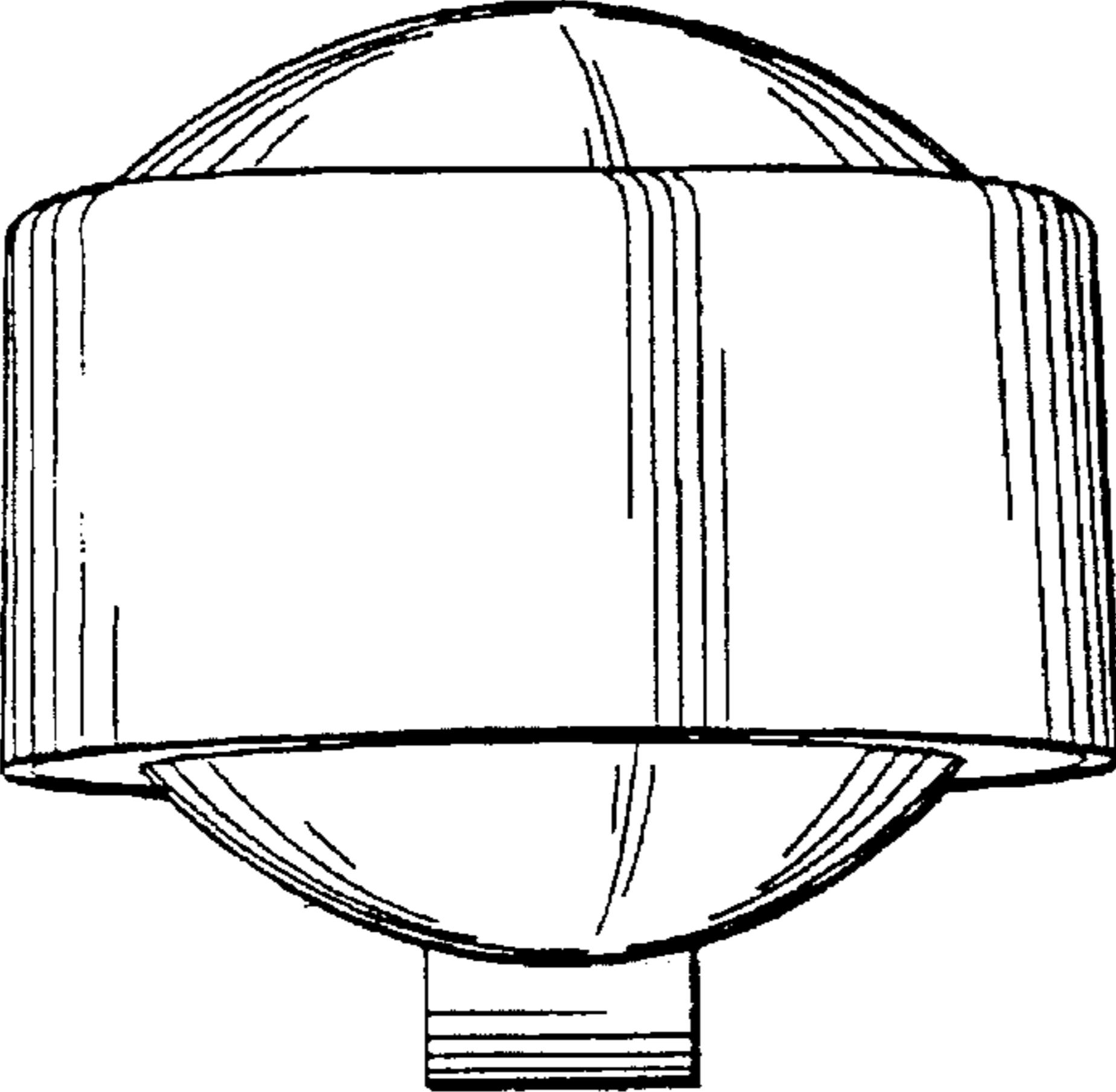


*Fig. 3*

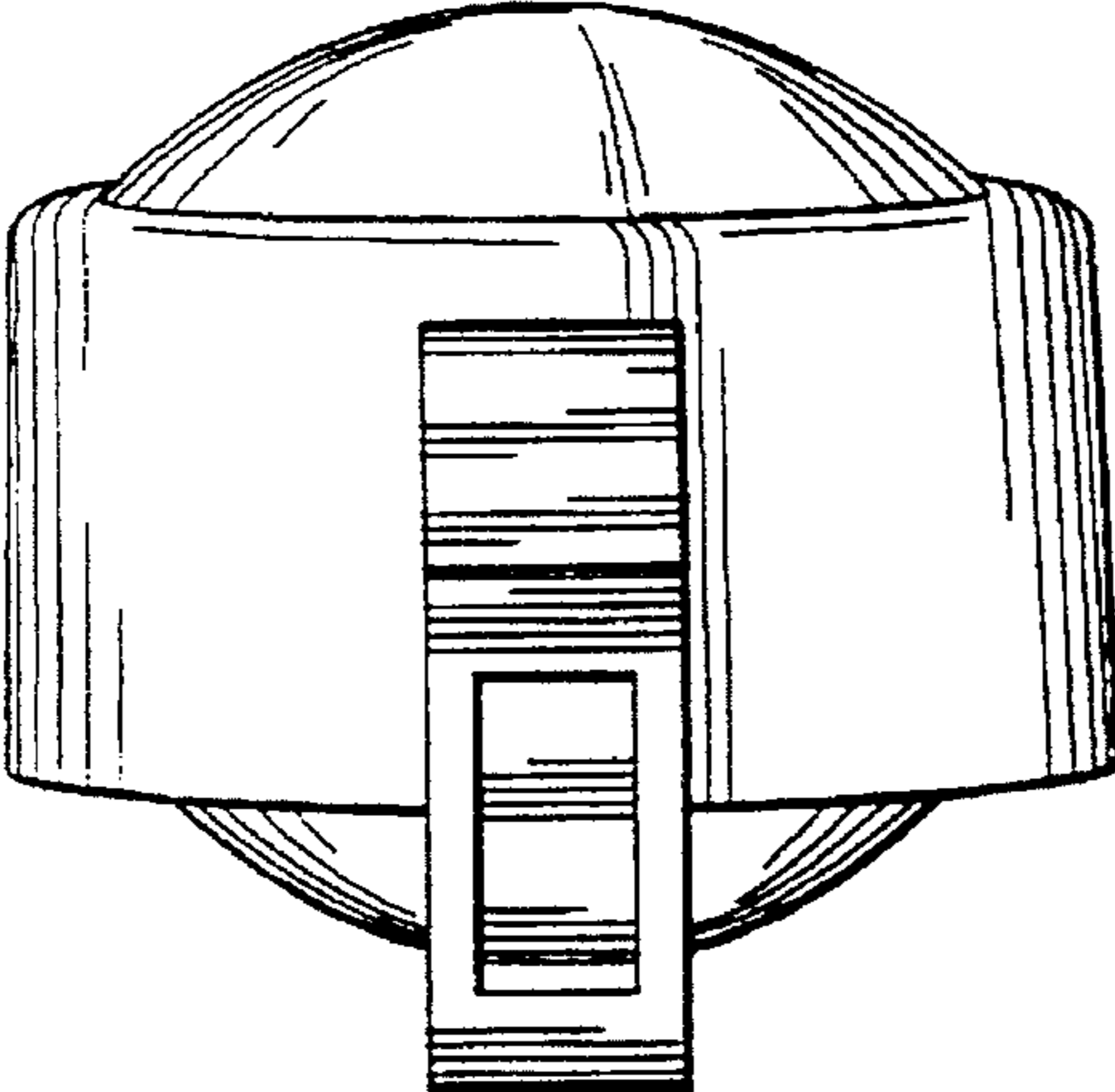
*Fig. 4*

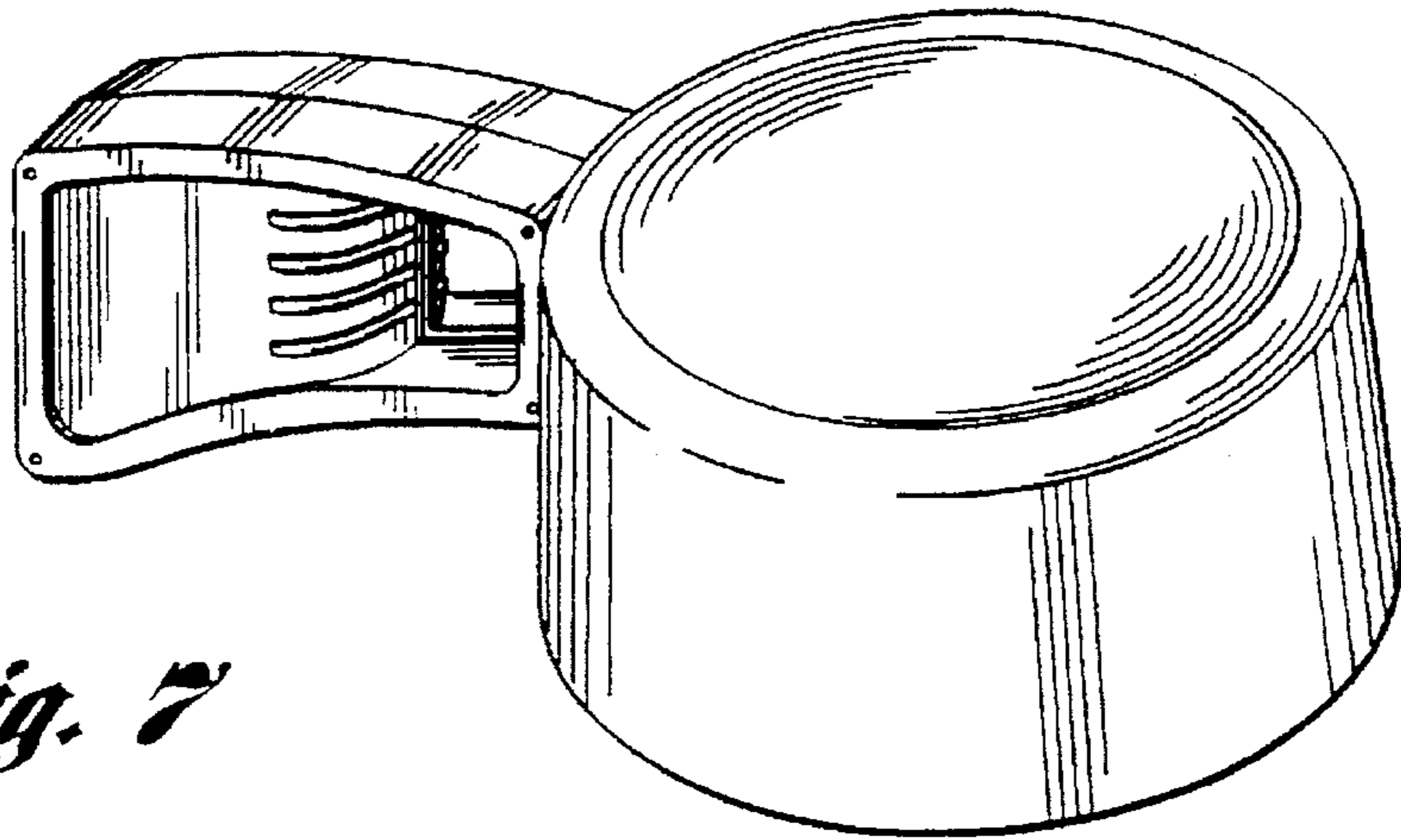


*Fig. 5*

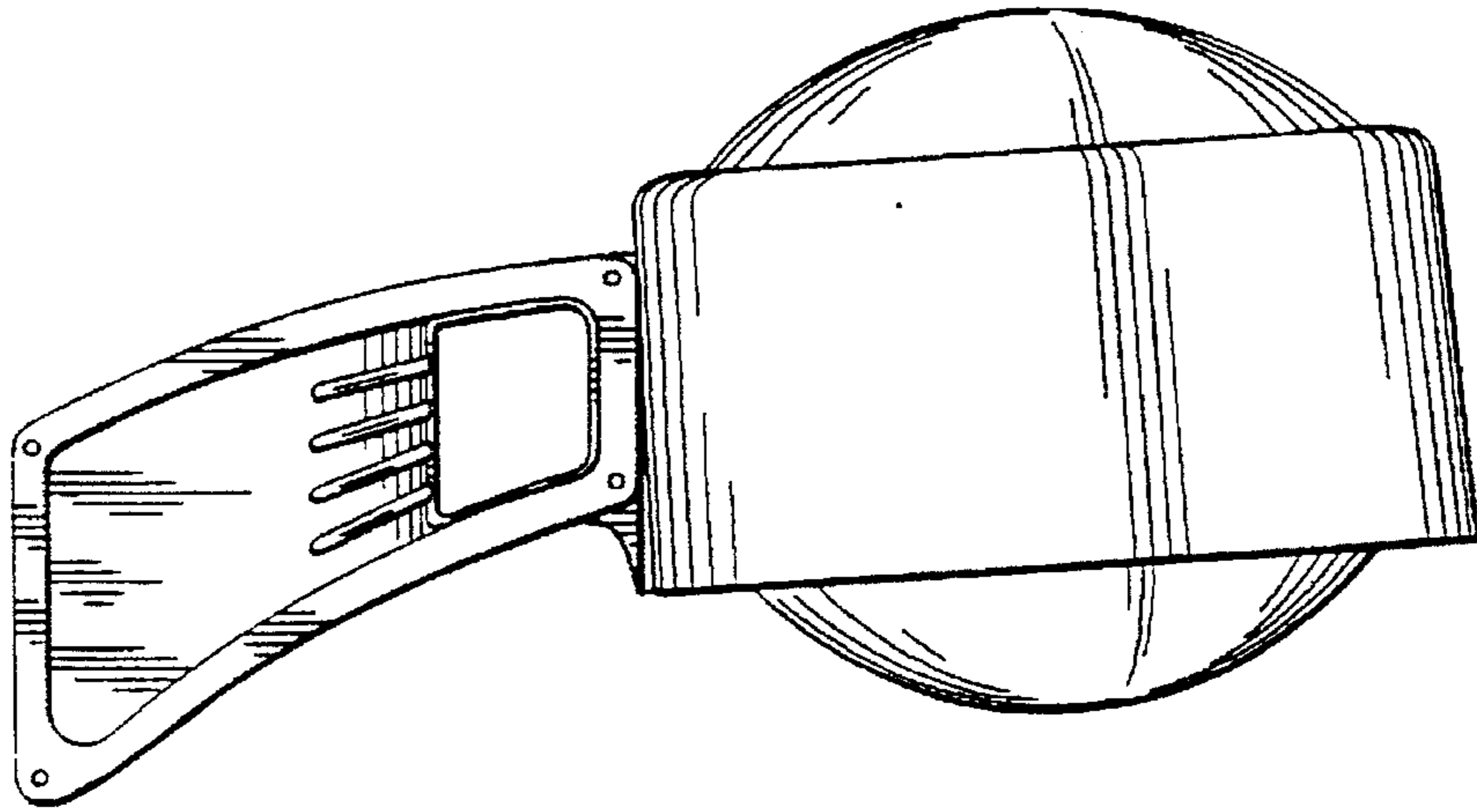


*Fig. 6*

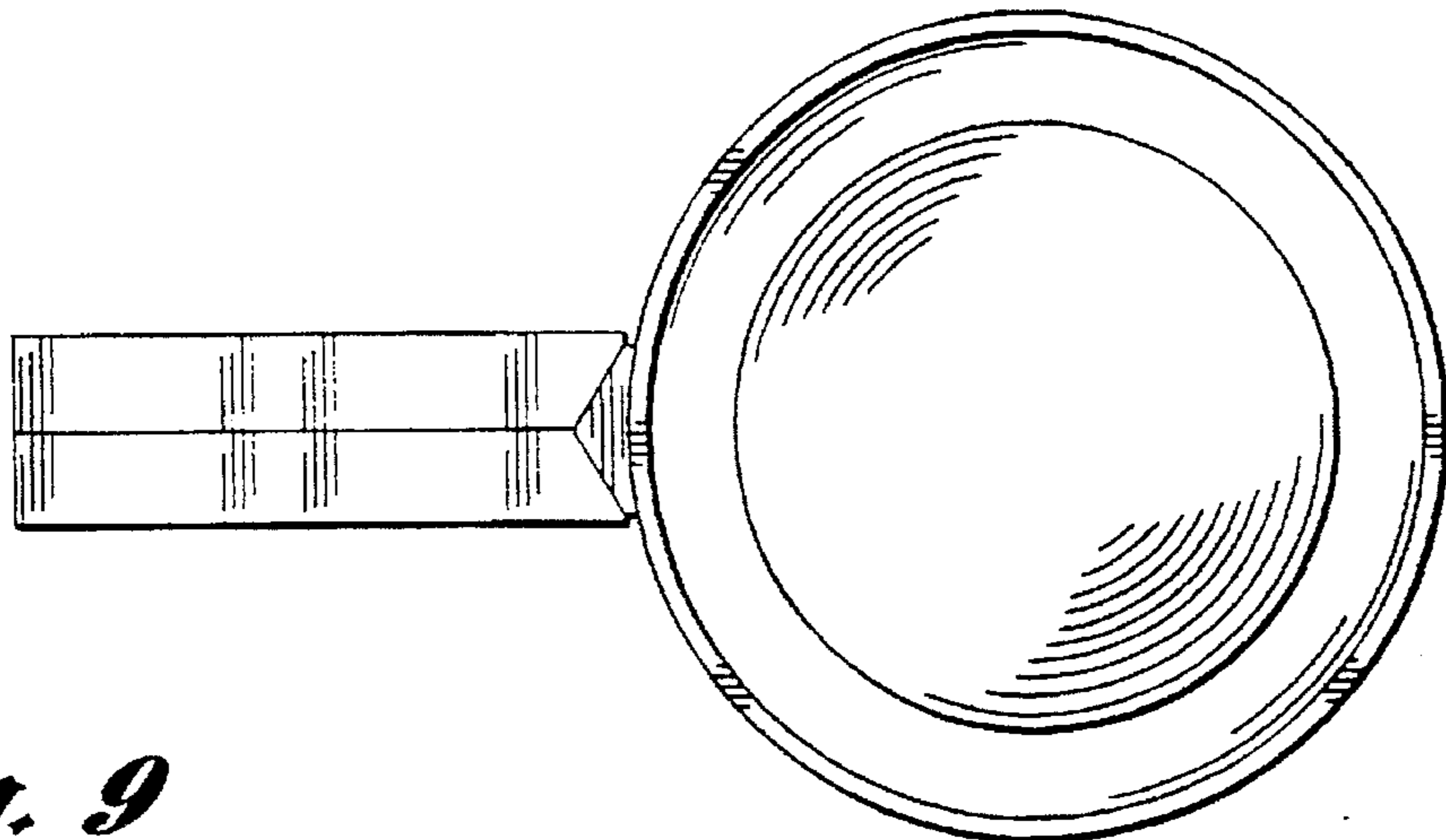




*Fig. 7*

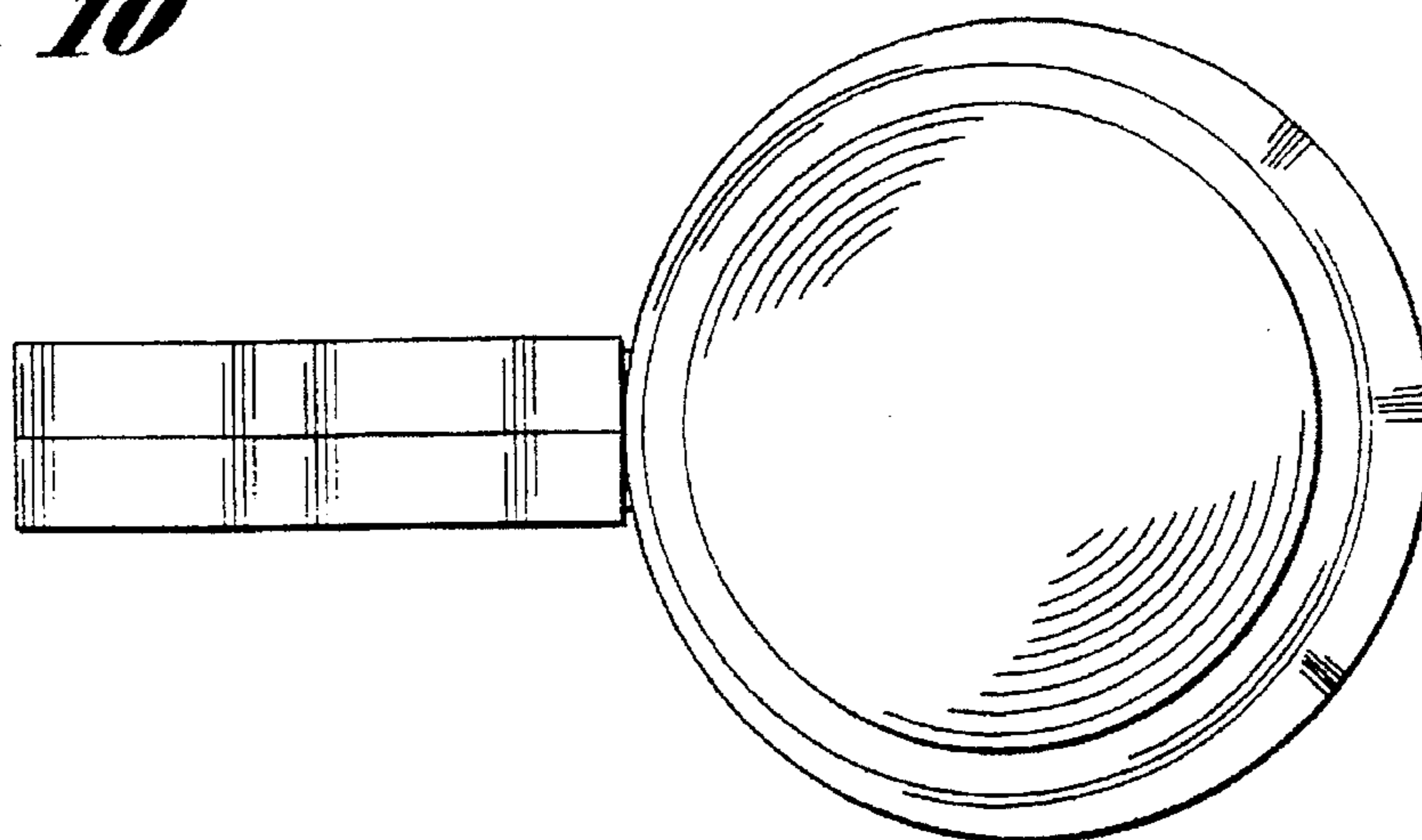


*Fig. 8*

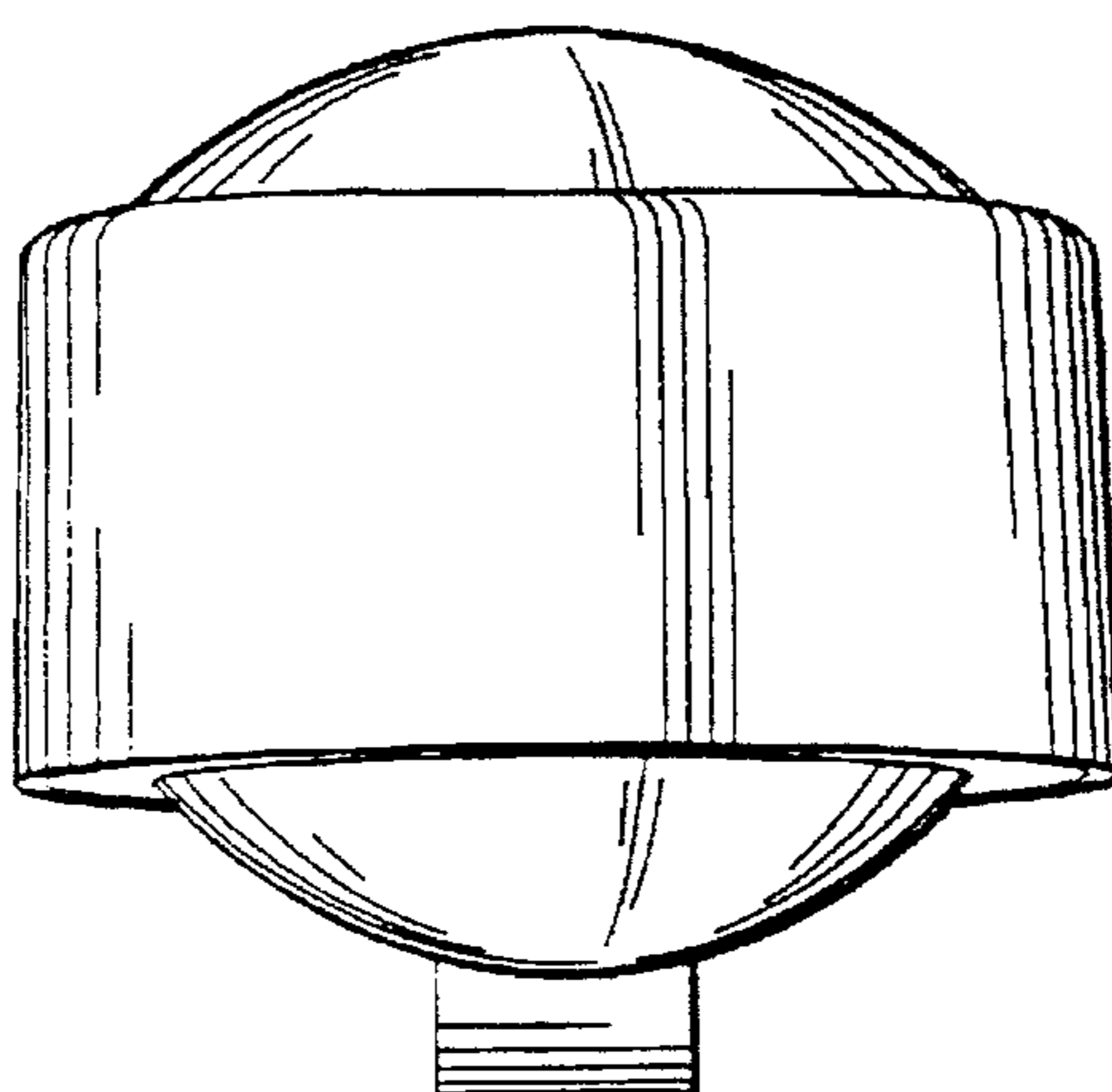


*Fig. 9*

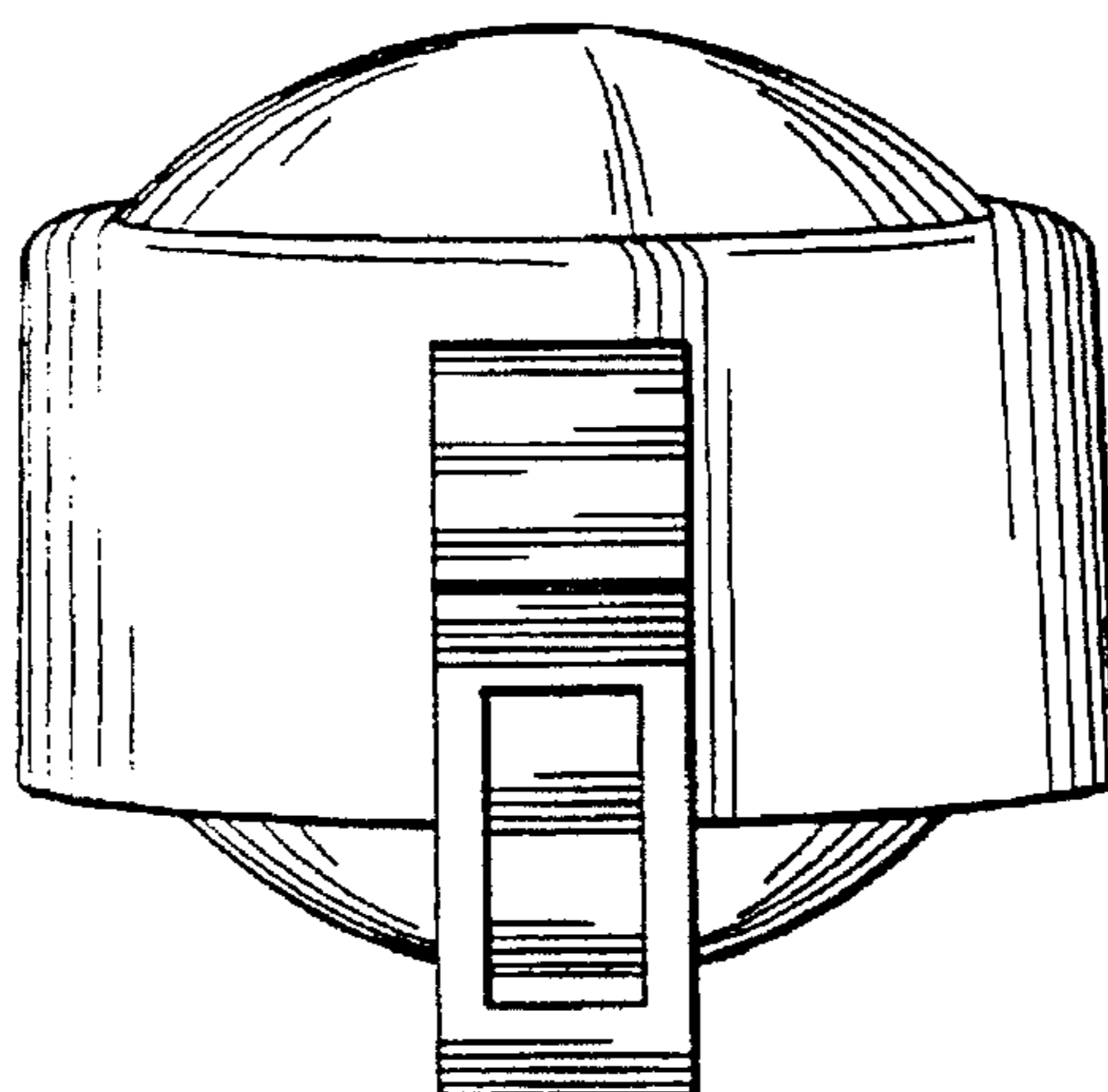
*Fig. 10*

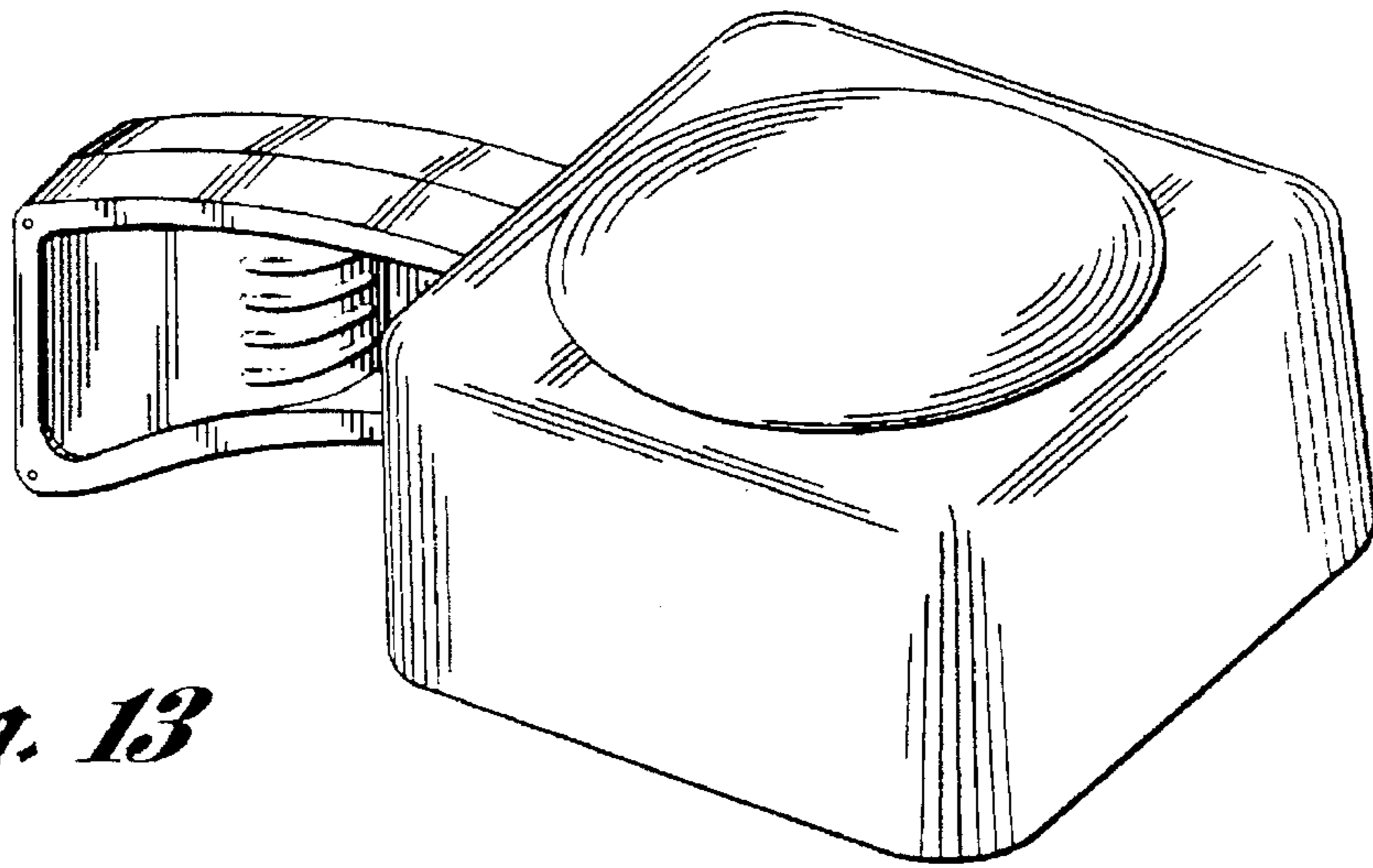


*Fig. 11*

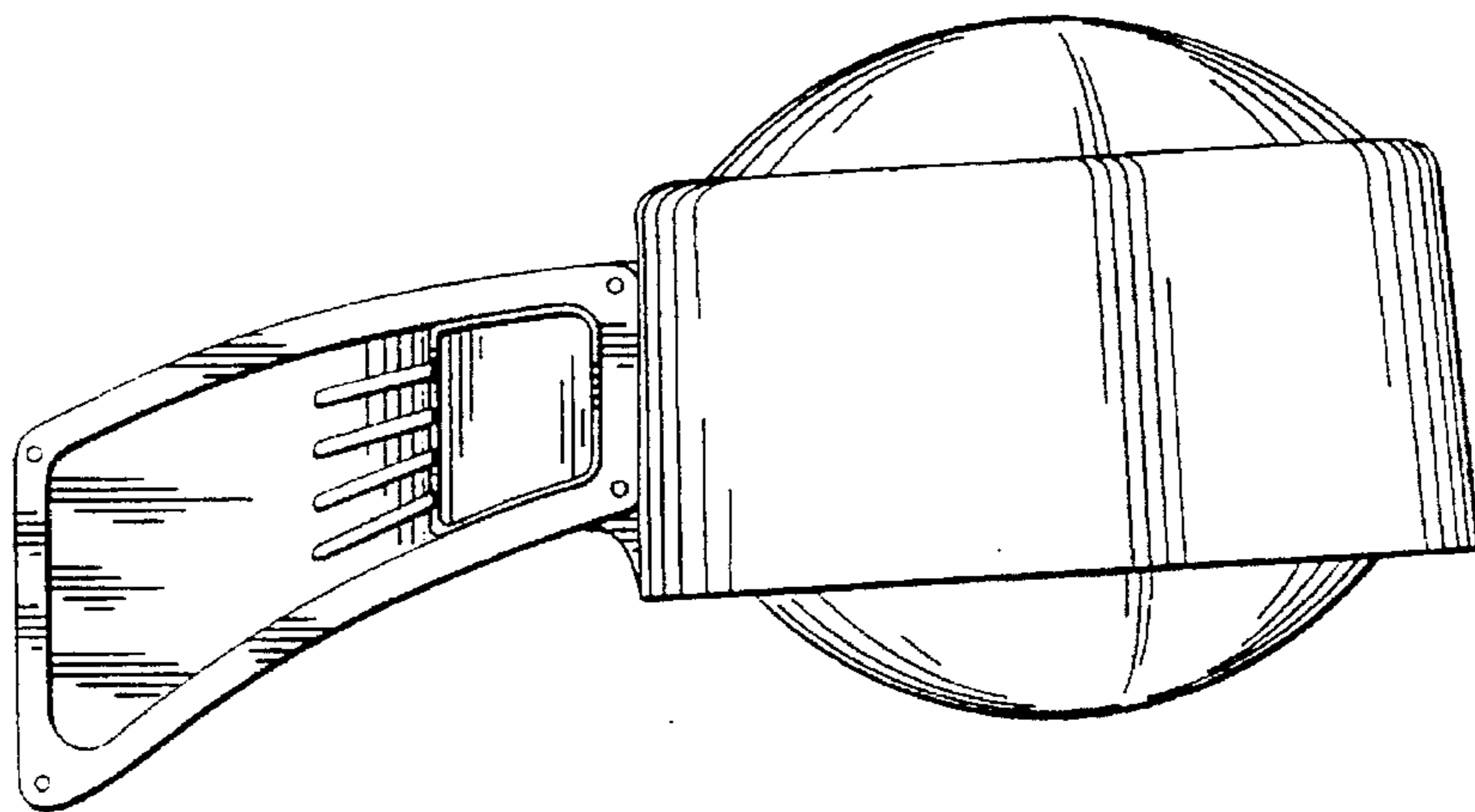


*Fig. 12*

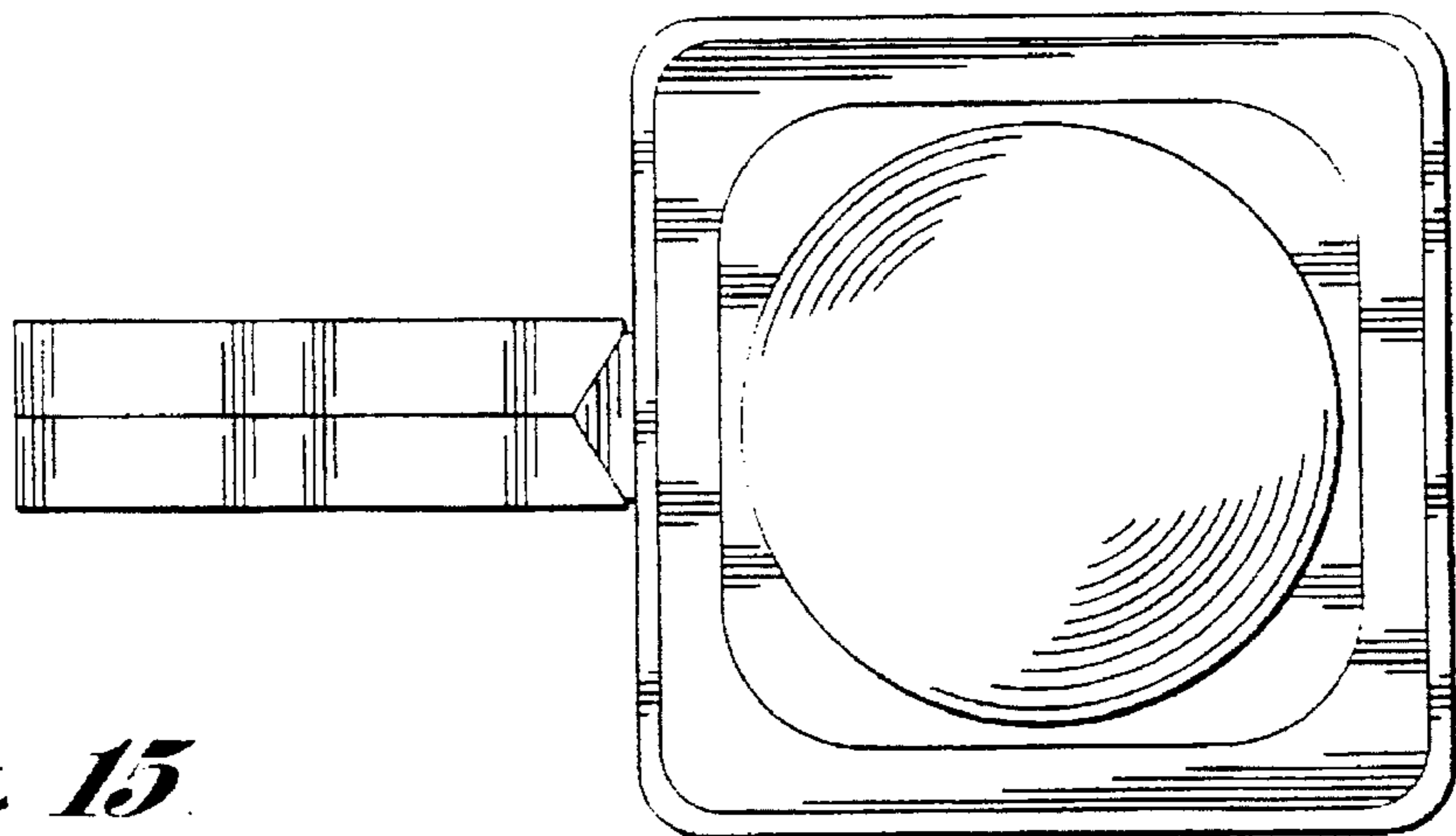




*Fig. 13*

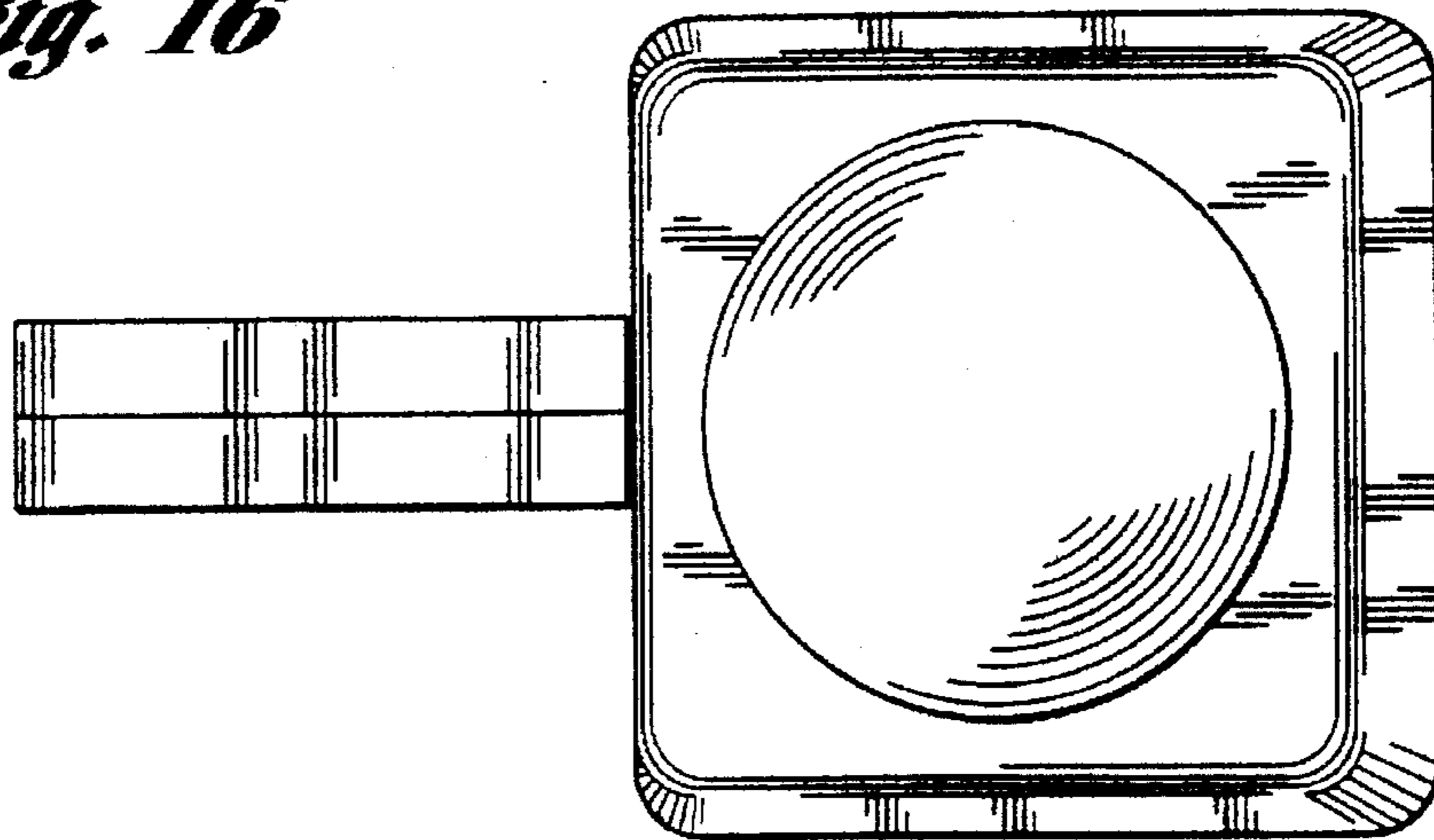


*Fig. 14*

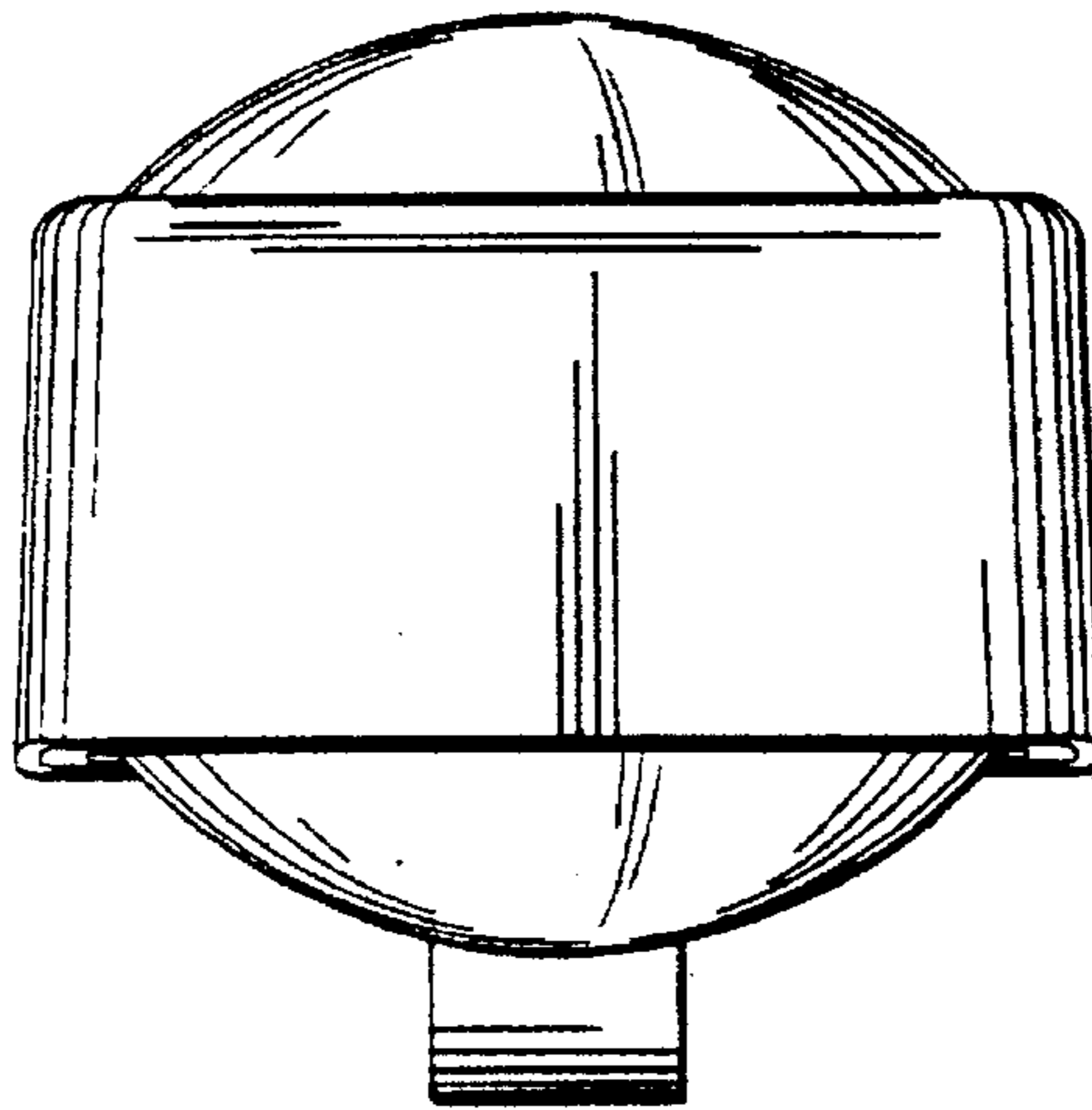


*Fig. 15*

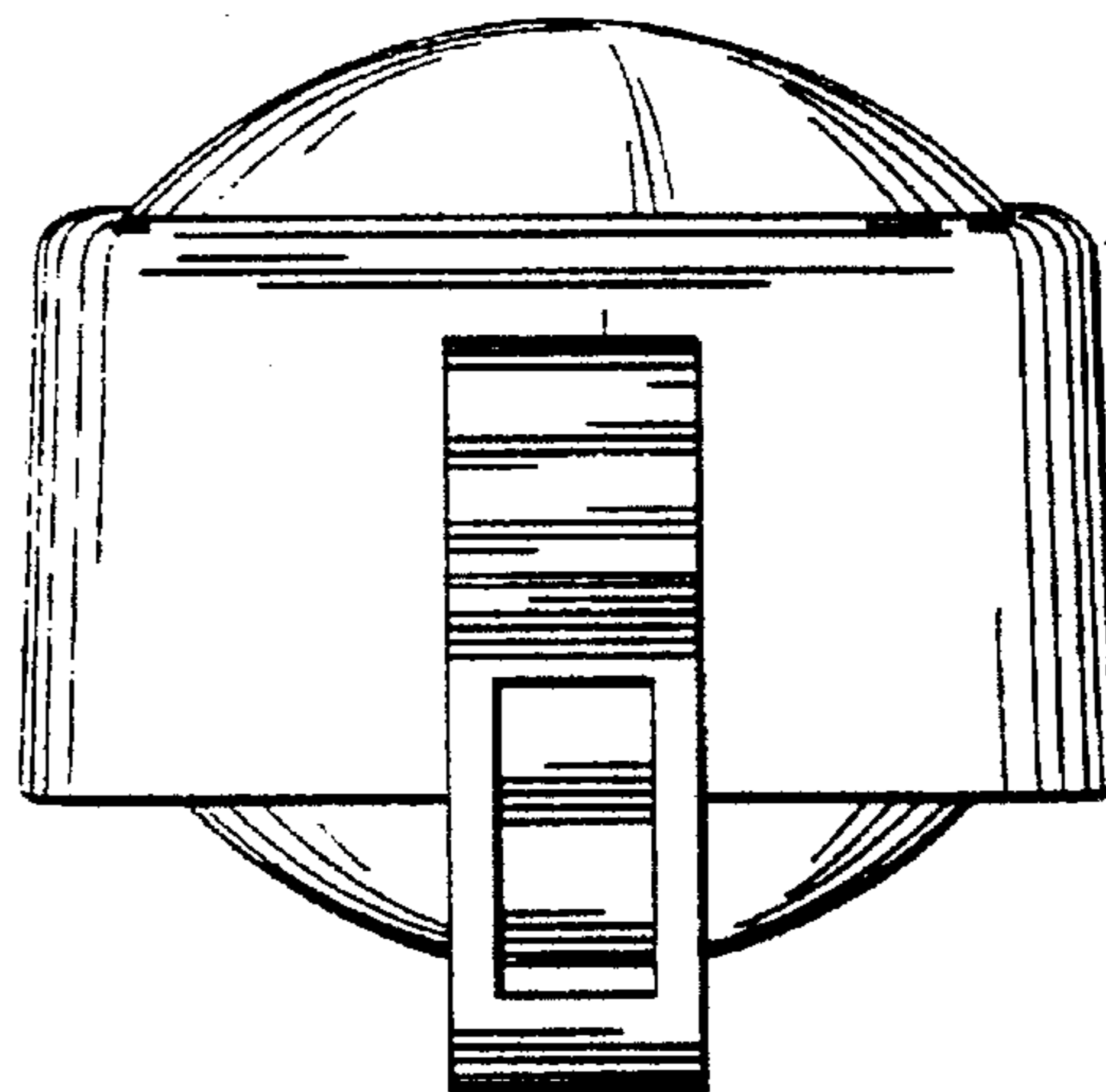
*Fig. 16*

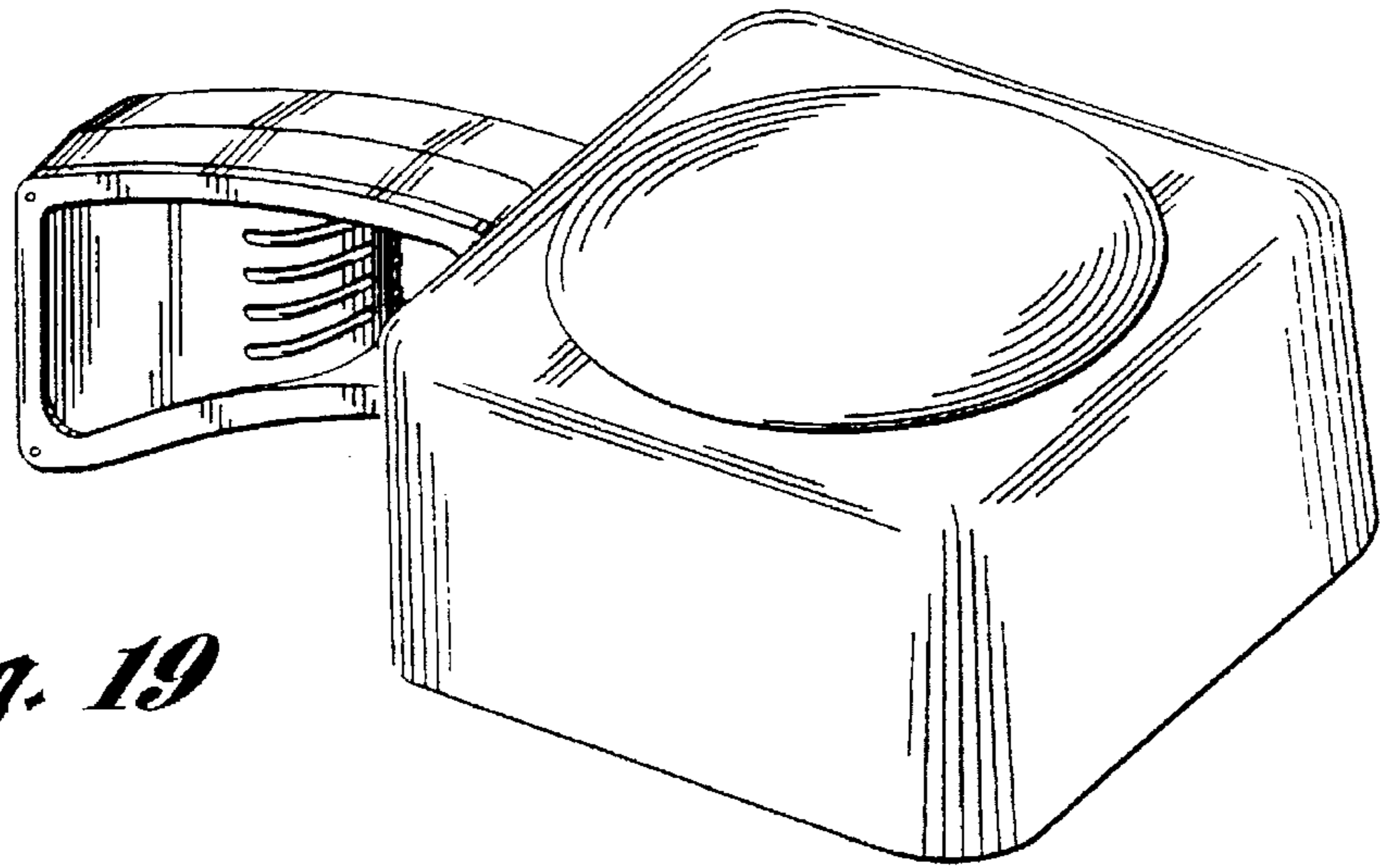


*Fig. 17*

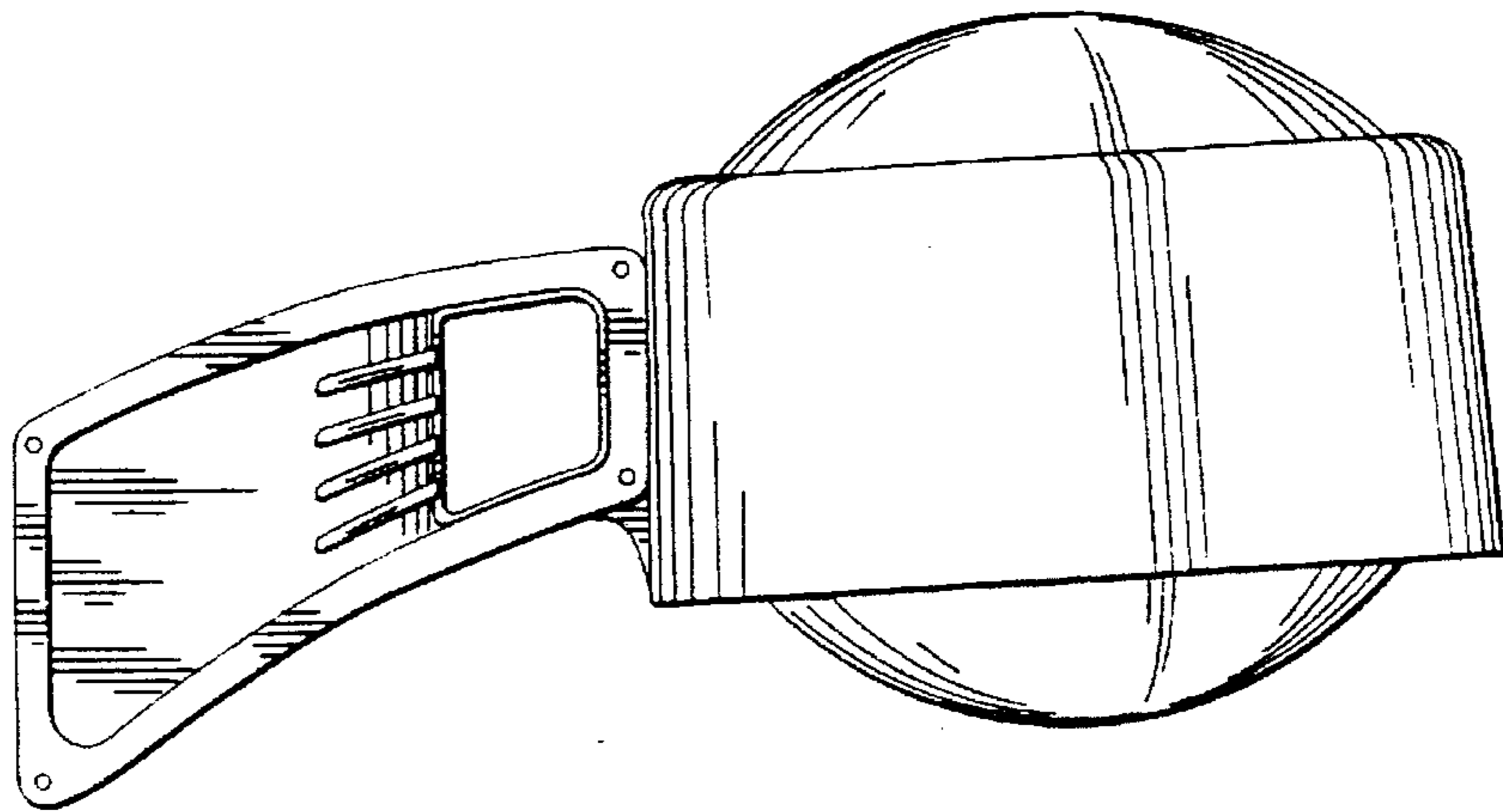


*Fig. 18*

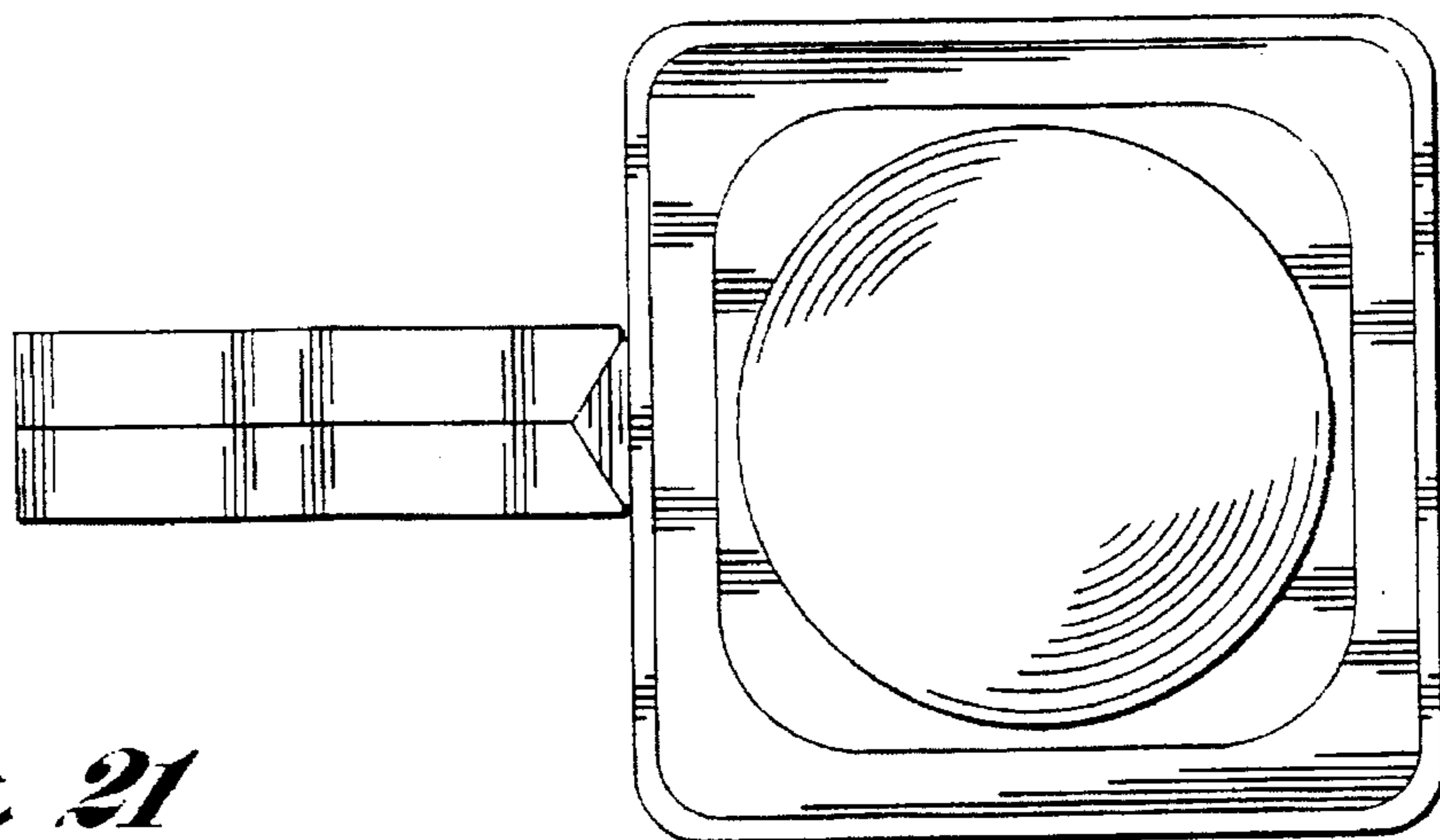




*Fig. 19*



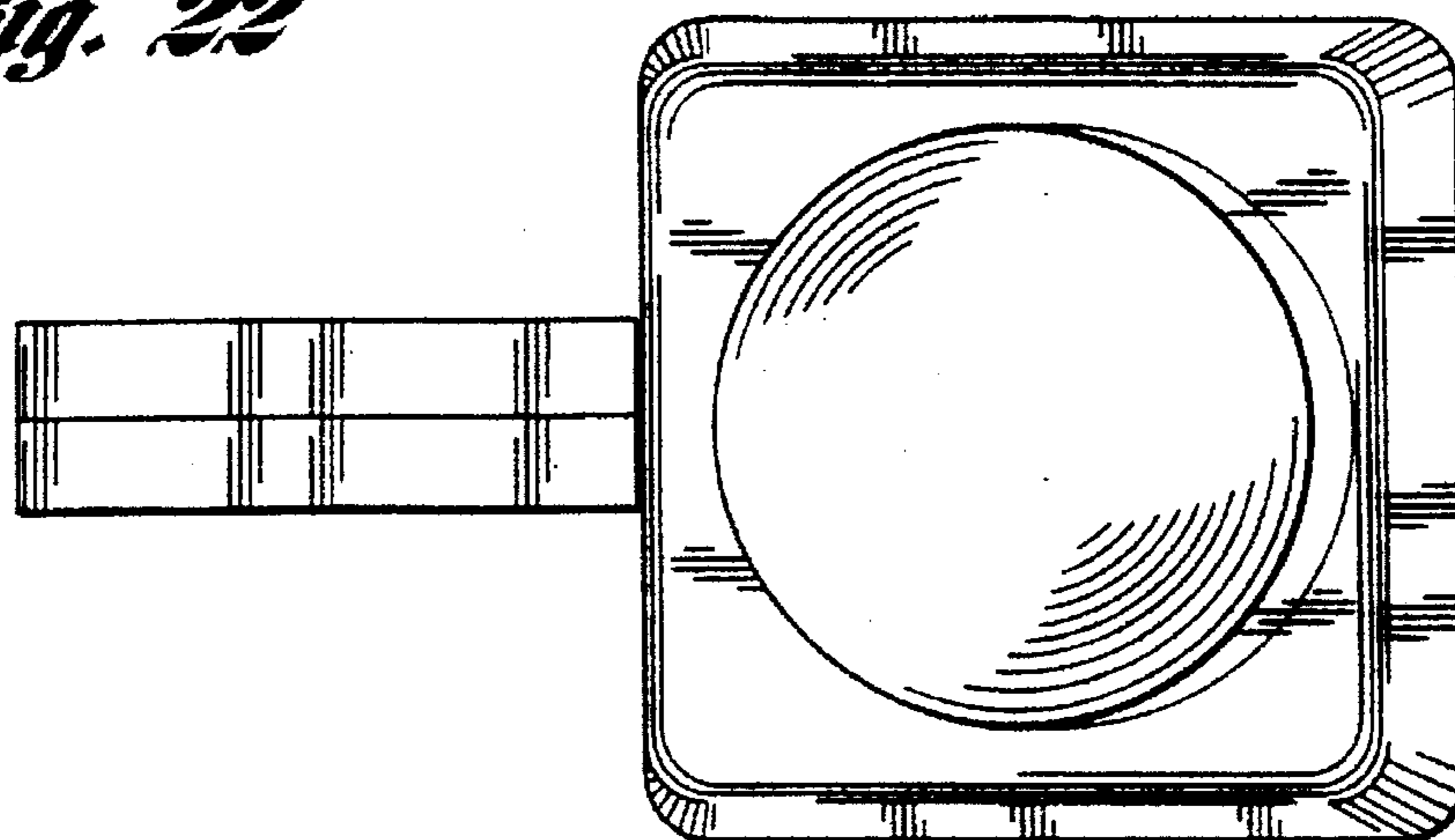
*Fig. 20*



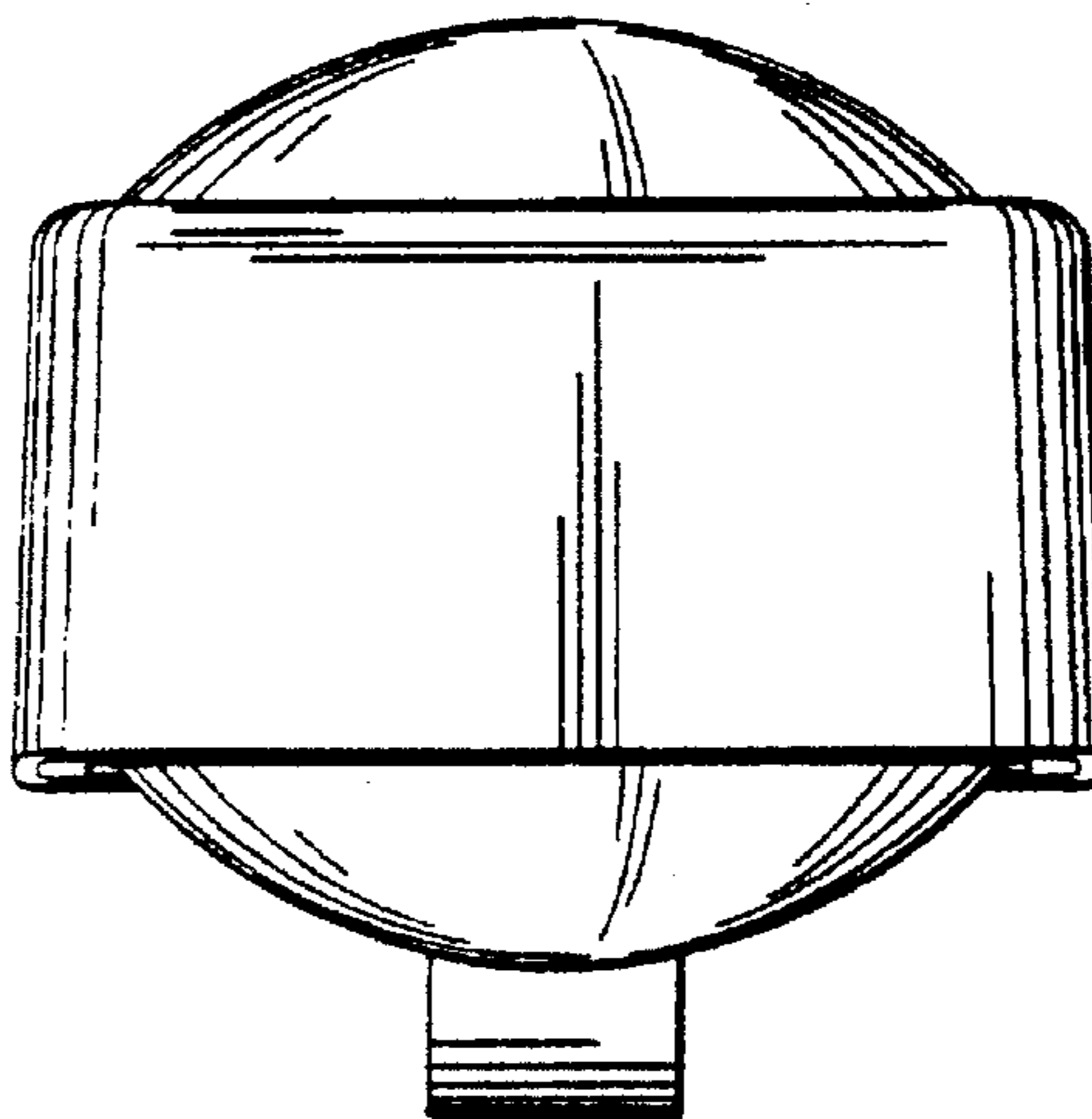
*Fig. 21*



*Fig. 22*



*Fig. 23*



*Fig. 24*

