



US00D381105S

United States Patent [19]
Swanson

[11] **Patent Number: Des. 381,105**
[45] **Date of Patent: **Jul. 15, 1997**

[54] **COMBINED TORCHIERE WITH TASK LIGHTS AND TABLE**

[75] **Inventor: Dennis K. Swanson**, Woodland Hills, Calif.

[73] **Assignee: Lamps Plus, Inc.**, Chatsworth, Calif.

[**] **Term: 14 Years**

[21] **Appl. No.: 49,793**

[22] **Filed: Jan. 31, 1996**

[51] **LOC (6) Cl. 26-05**

[52] **U.S. Cl. D26/63; D26/102**

[58] **Field of Search D26/93, 102-112, D26/62, 63, 65, 58; 362/410-414, 127, 250, 269, 275, 287, 418, 419, 427, 401**

[56] **References Cited**

U.S. PATENT DOCUMENTS

- D. 146,113 12/1946 McGinnis D26/63
- D. 348,113 6/1994 Swanson D26/63
- D. 353,904 12/1994 Swanson D26/63

OTHER PUBLICATIONS

Abitare, Dec. 1988, p. 207, Floor Lamp.
Home Lighting & Accessories, Mar. 1994, p. 66, Floor Lamp with Table.

Primary Examiner—Susan J. Lucas
Attorney, Agent, or Firm—Robbins, Berliner & Carson

[57] **CLAIM**

The ornamental design for a combined torchiere with task lights and table, as shown and described.

DESCRIPTION

FIG. 1 is a perspective view of a combined torchiere with task lights and table in accordance with the present invention;

FIG. 2 is a front elevational view thereof;

FIG. 3 is a left side elevational view thereof;

FIG. 4 is a right side elevational view thereof;

FIG. 5 is a top plan view thereof;

FIG. 6 is a bottom view thereof; and,

FIG. 7 is a fragmentary perspective view of the torchiere head on an enlarged scale, the design being fragmentarily shown for convenience of illustration.

1 Claim, 3 Drawing Sheets

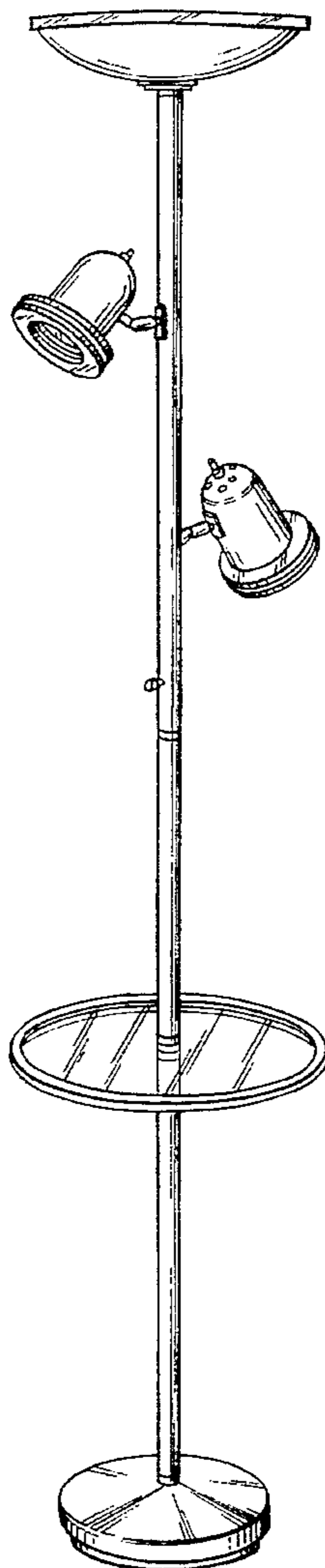


FIG. 1

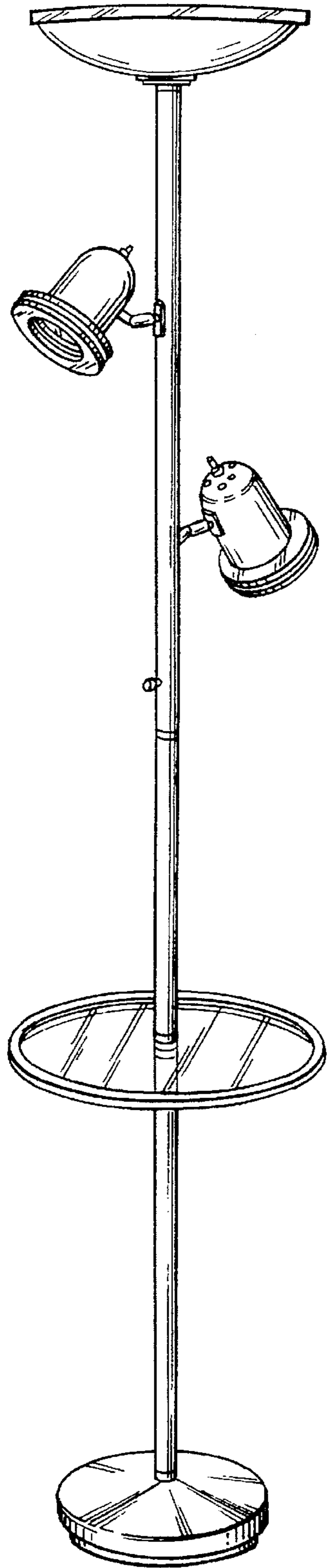


FIG. 2

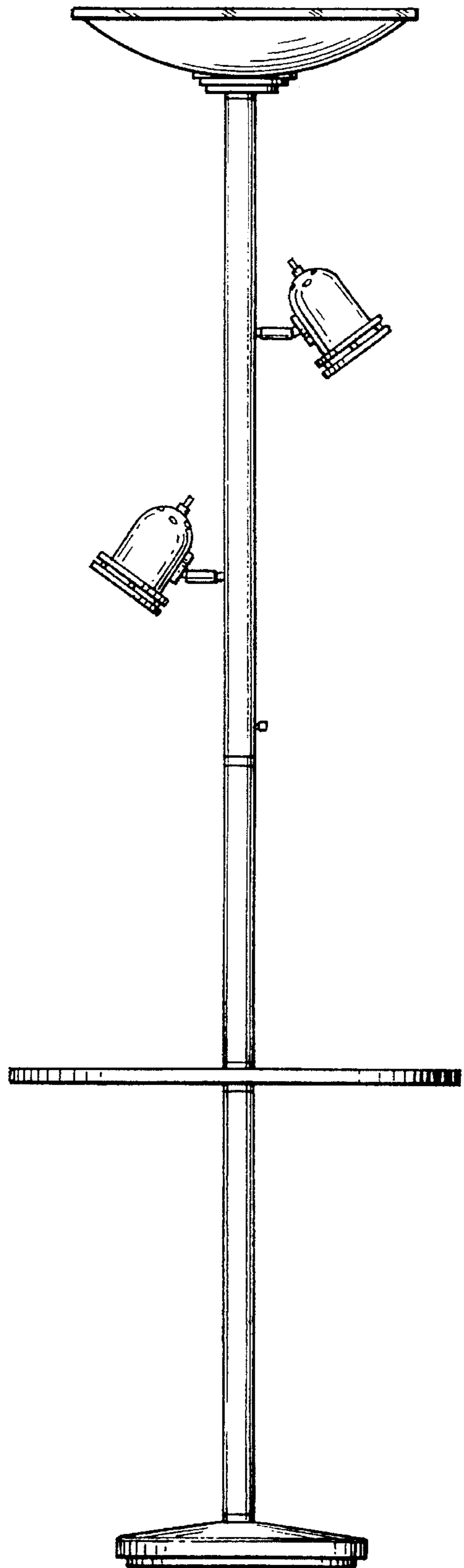


FIG. 3

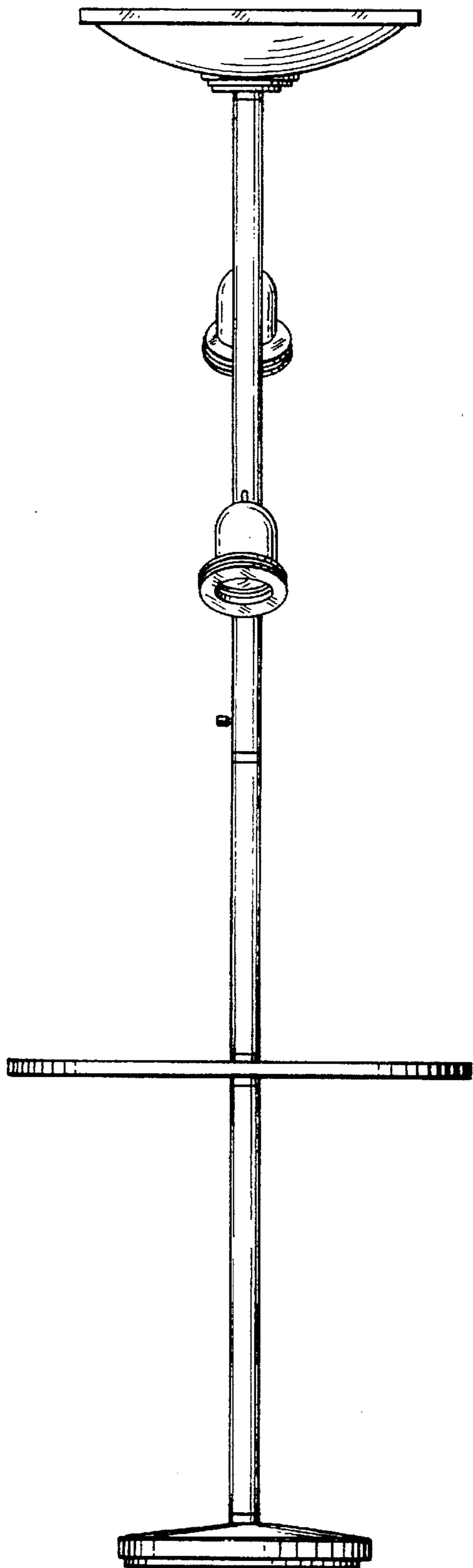
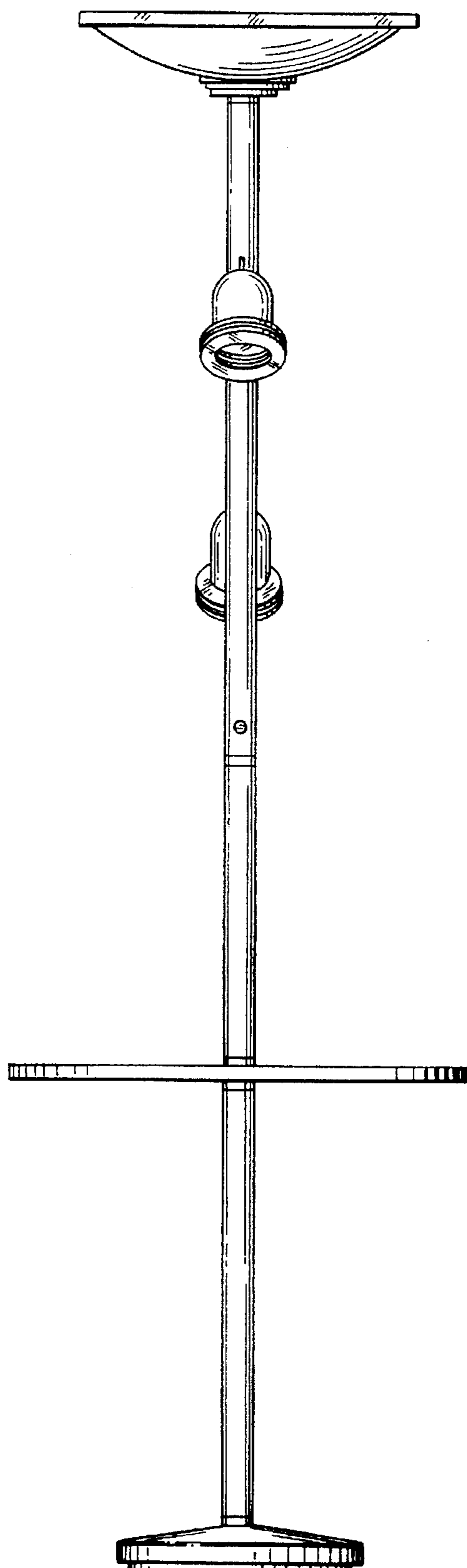


FIG. 4



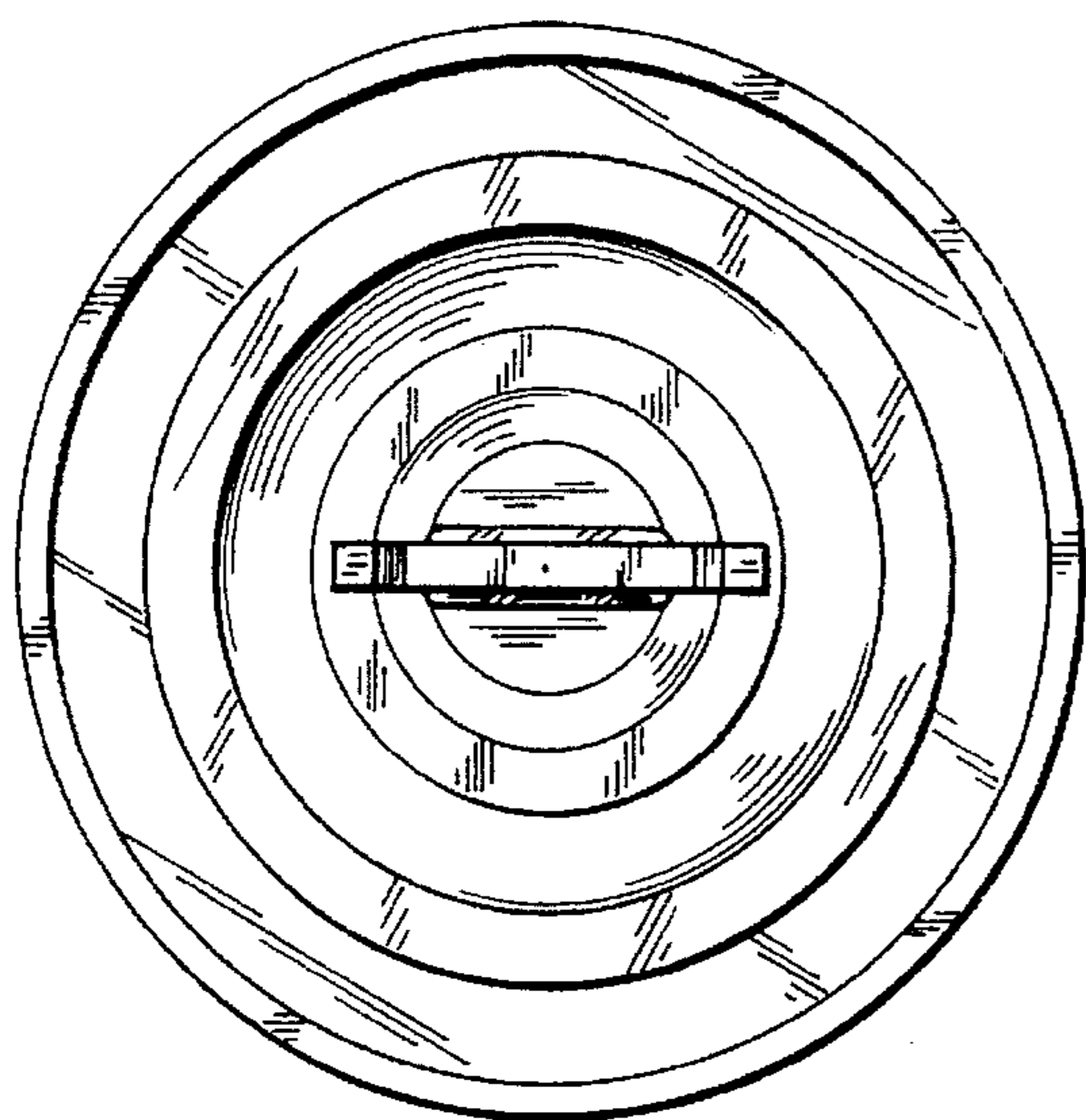


FIG. 5

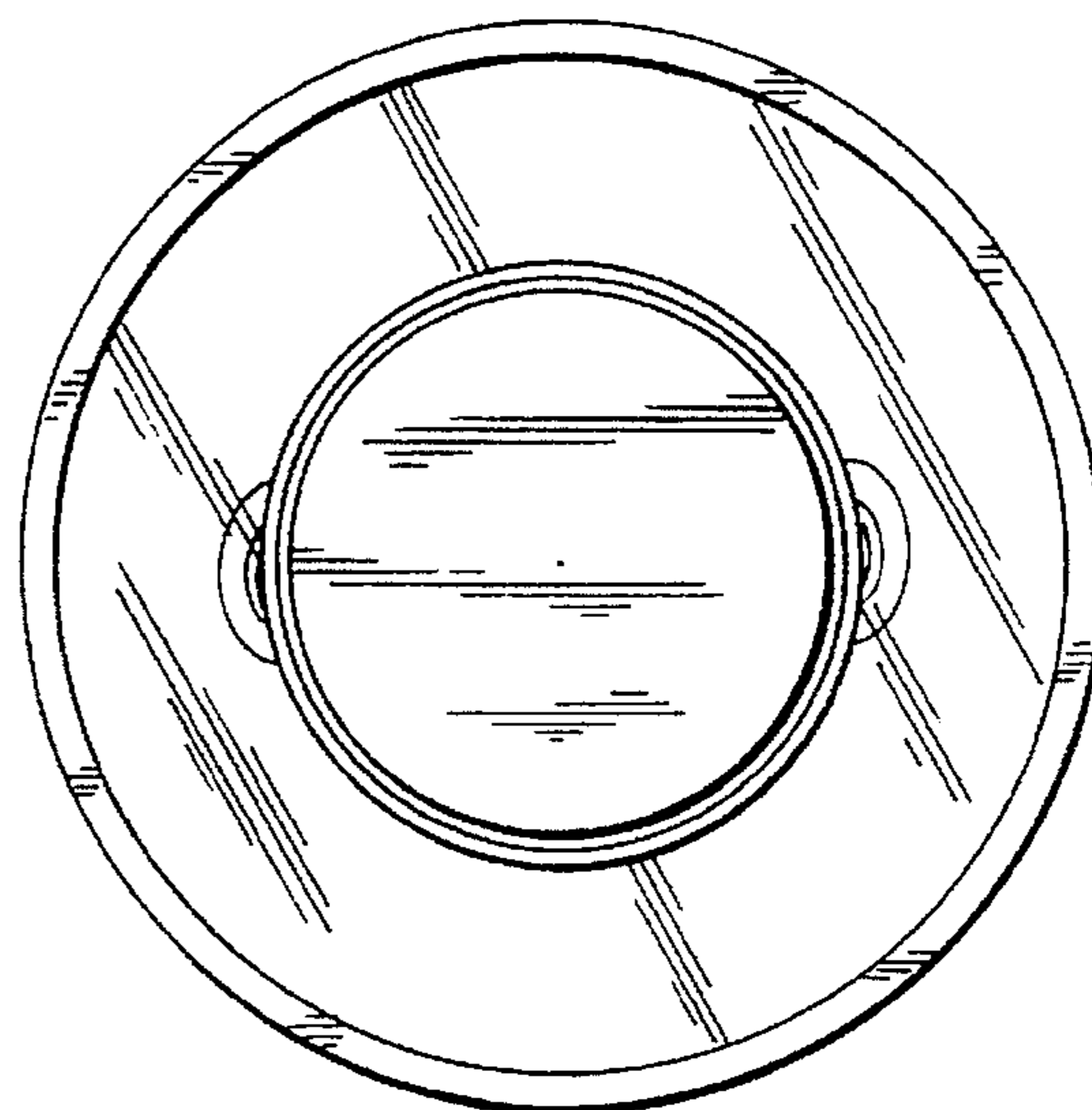


FIG. 6

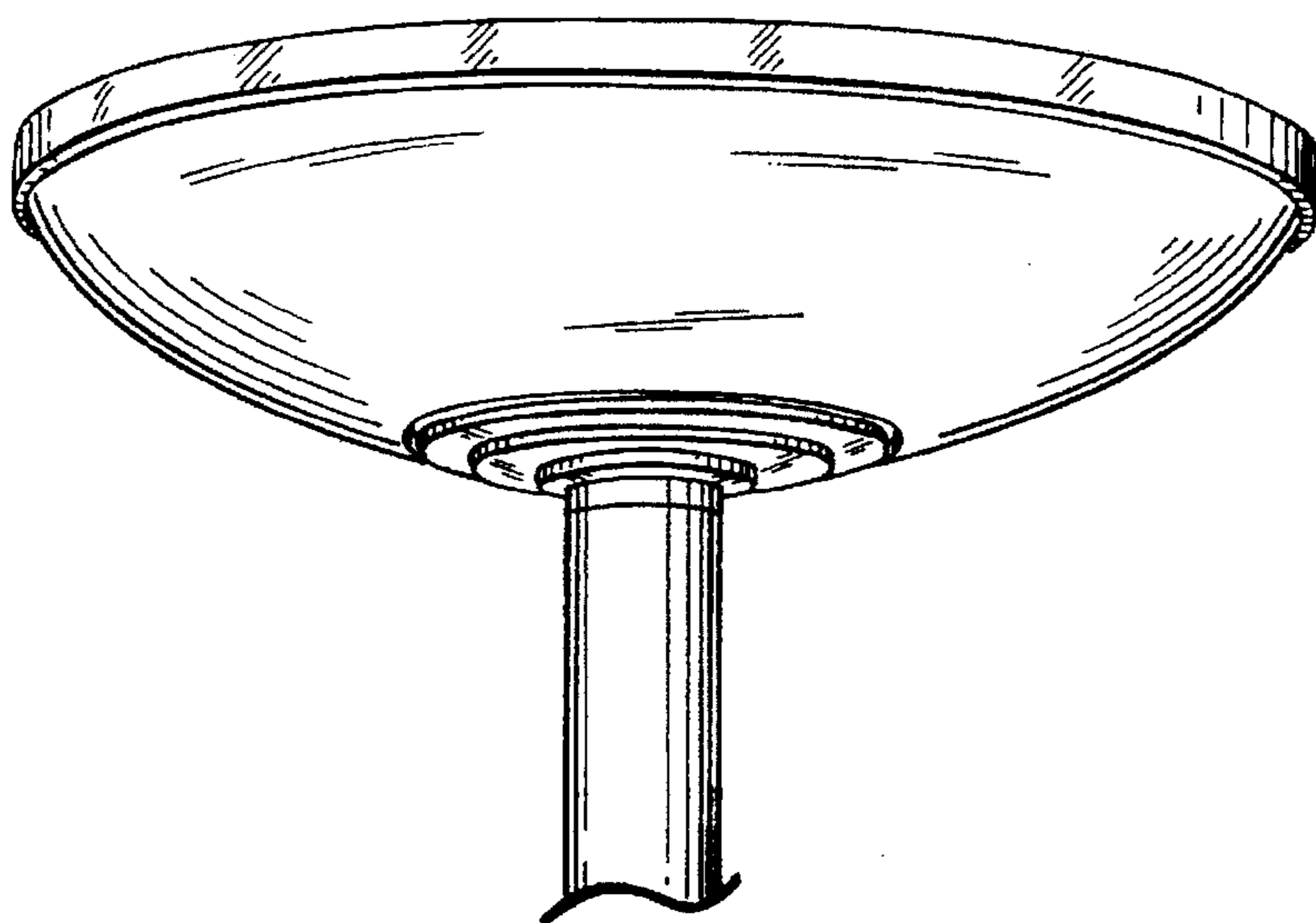


FIG. 7