



US00D381104S

# United States Patent [19]

Linstone

[11] Patent Number: Des. 381,104

[45] Date of Patent: \*\*Jul. 15, 1997

[54] TORCHIERE LAMP WITH A UNIVERSAL FLEX TASK LIGHT

[75] Inventor: Clark Linstone, Pasadena, Calif.

[73] Assignee: Lamps Plus, Inc., Chatsworth, Calif.

[\*\*] Term: 14 Years

[21] Appl. No.: 46,182

[22] Filed: Nov. 8, 1995

[51] LOC (6) Cl. .... 26-05

[52] U.S. Cl. .... D26/62; D26/102

[58] Field of Search ..... D26/93, 102-112, D26/62, 63, 65; 362/410-414, 250, 269, 275, 287, 418, 419, 427, 401

### [56] References Cited

#### U.S. PATENT DOCUMENTS

- D. 296,480 6/1988 Engel ..... D26/62
- D. 353,904 12/1994 Swanson ..... D26/63

#### OTHER PUBLICATIONS

Home Lighting & Accessories, Dec. 1993, p. 180, Torchiere with Task Light.

Primary Examiner—Susan J. Lucas

Attorney, Agent, or Firm—Robbins, Berliner & Carson, LLP

### [57] CLAIM

The ornamental design for a torchiere lamp with a universal flex task light, as shown and described.

### DESCRIPTION

FIG. 1 is a front elevational view of a torchiere lamp with a universal flex task light;

FIG. 2 is a right side view thereof;

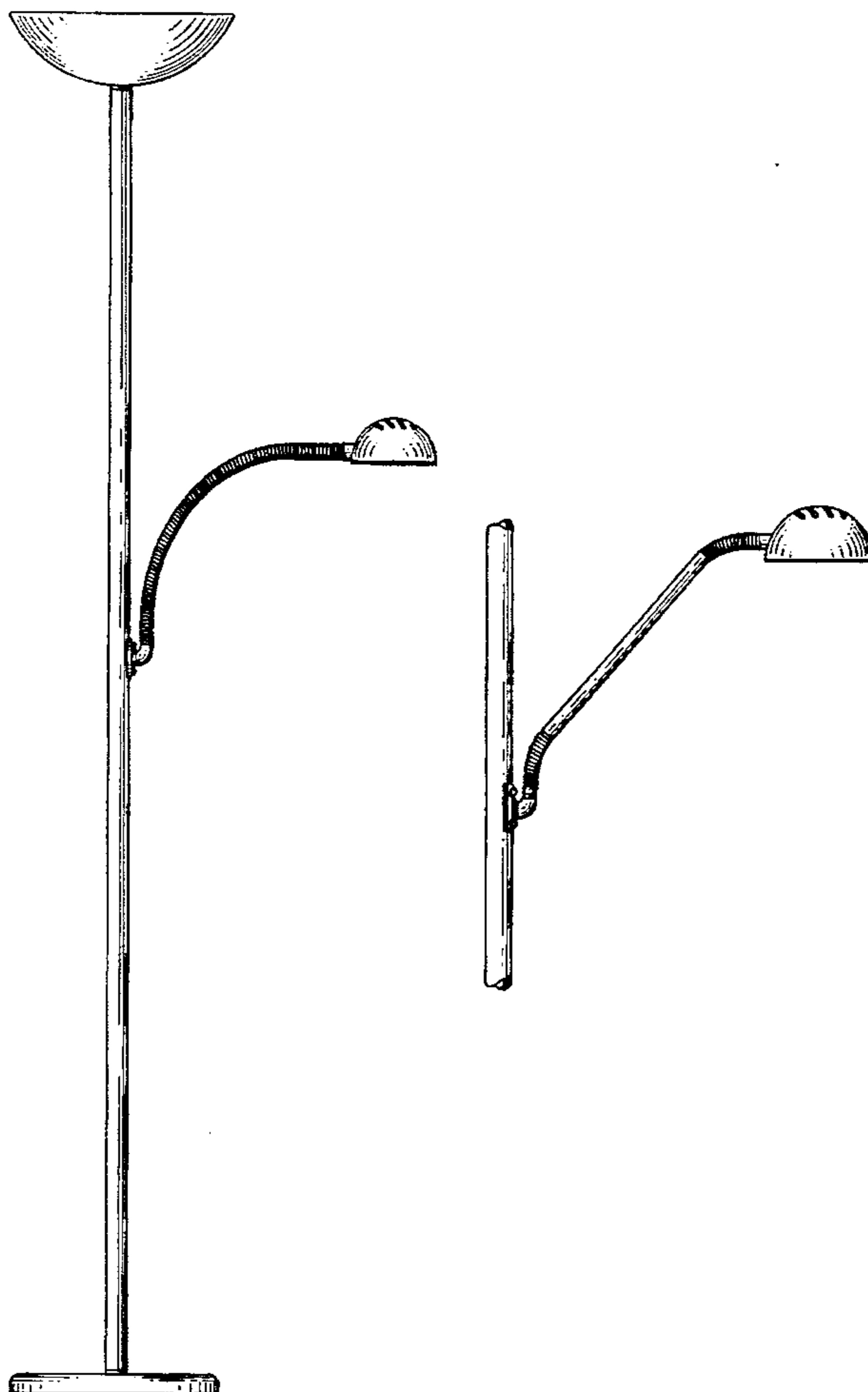
FIG. 3 is a left side view thereof;

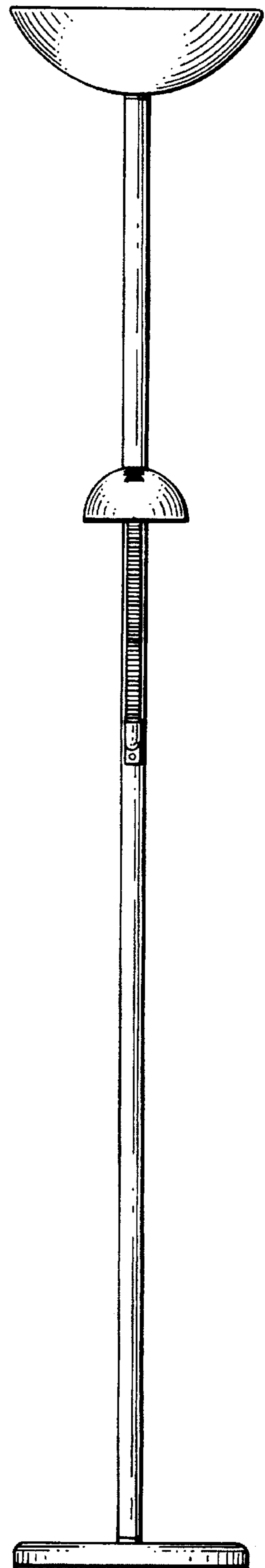
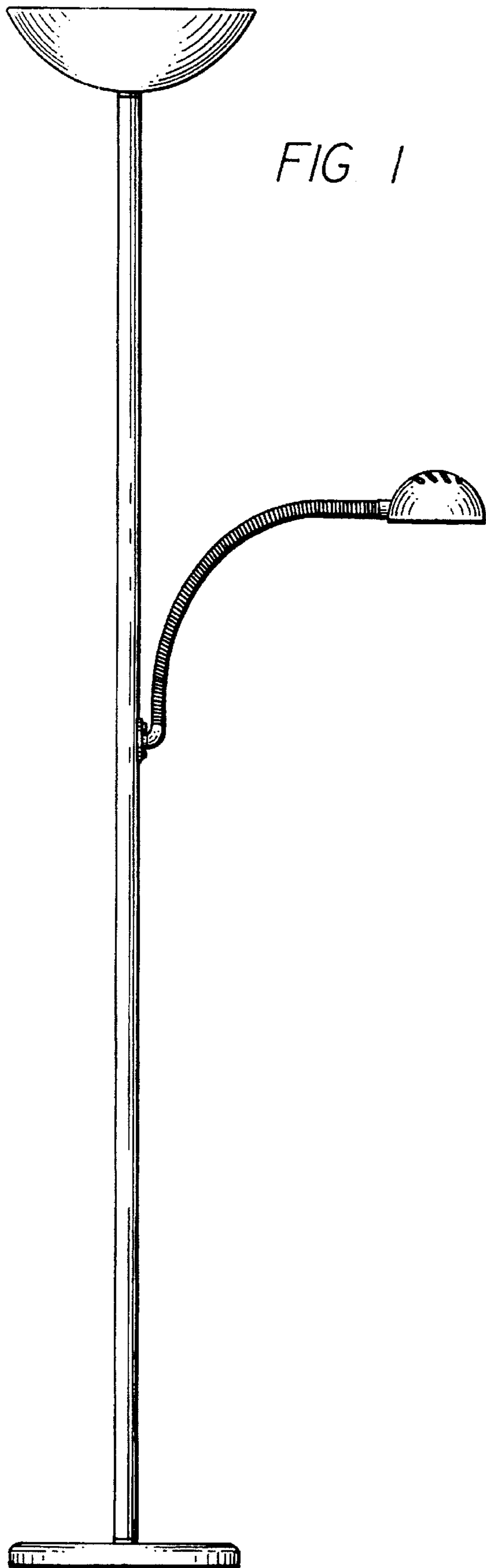
FIG. 4 is a top elevational view thereof;

FIG. 5 is a bottom view thereof; and,

FIG. 6 is a fragmentary side elevational view of a second embodiment of the design wherein the task light has a non-flexible center portion. The second embodiment is fragmentarily shown for convenience of illustration, it being understood that the second embodiment is identical to the first embodiment but for the non-flexible portion of the task light.

1 Claim, 2 Drawing Sheets





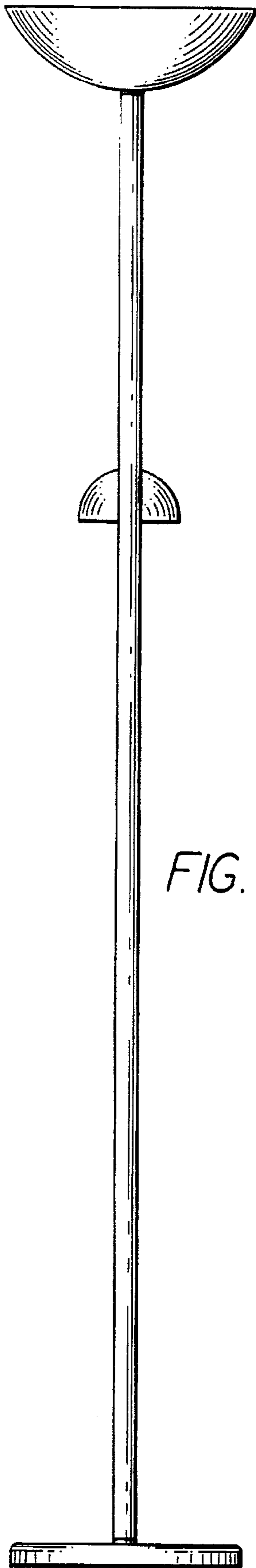


FIG. 3

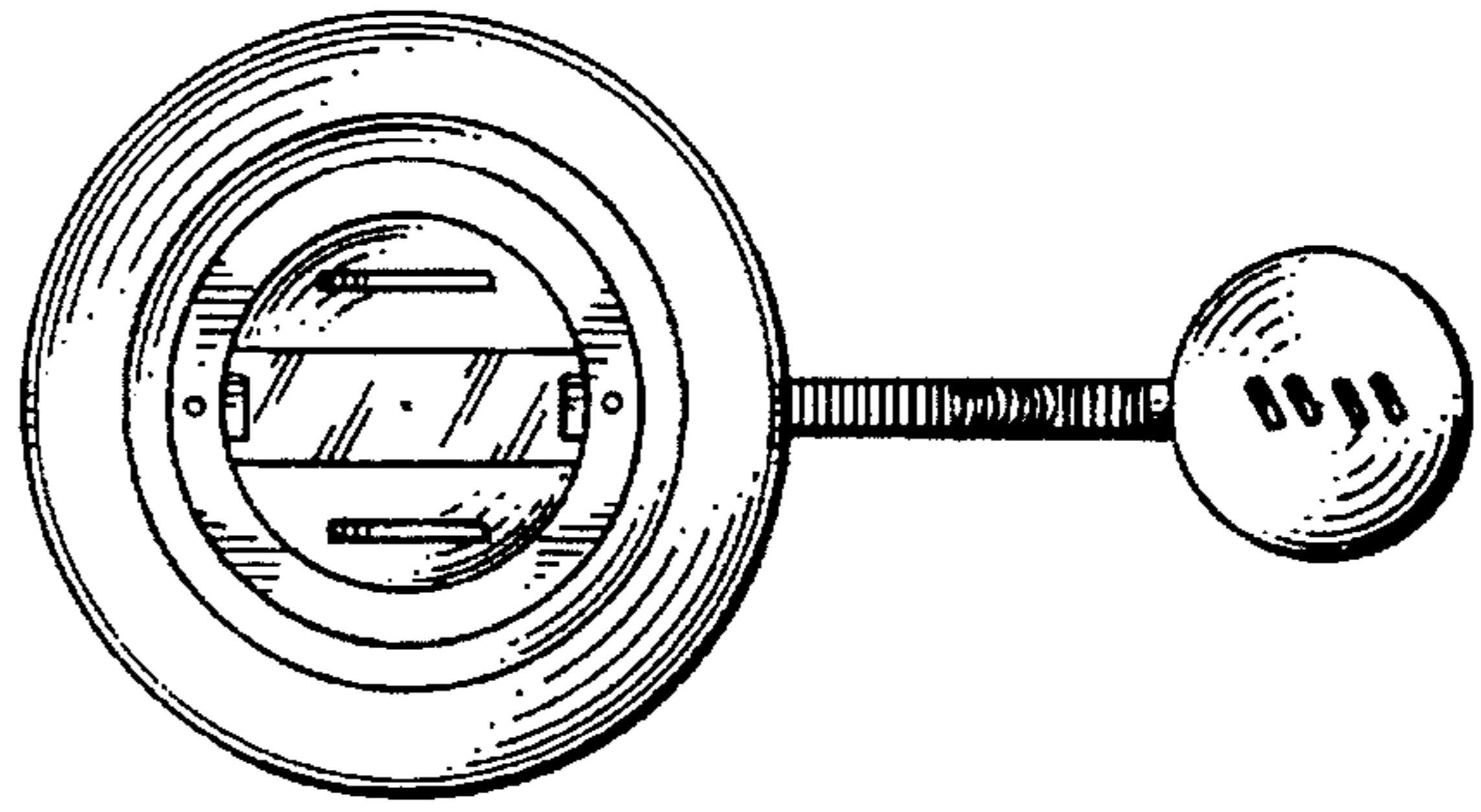


FIG. 4

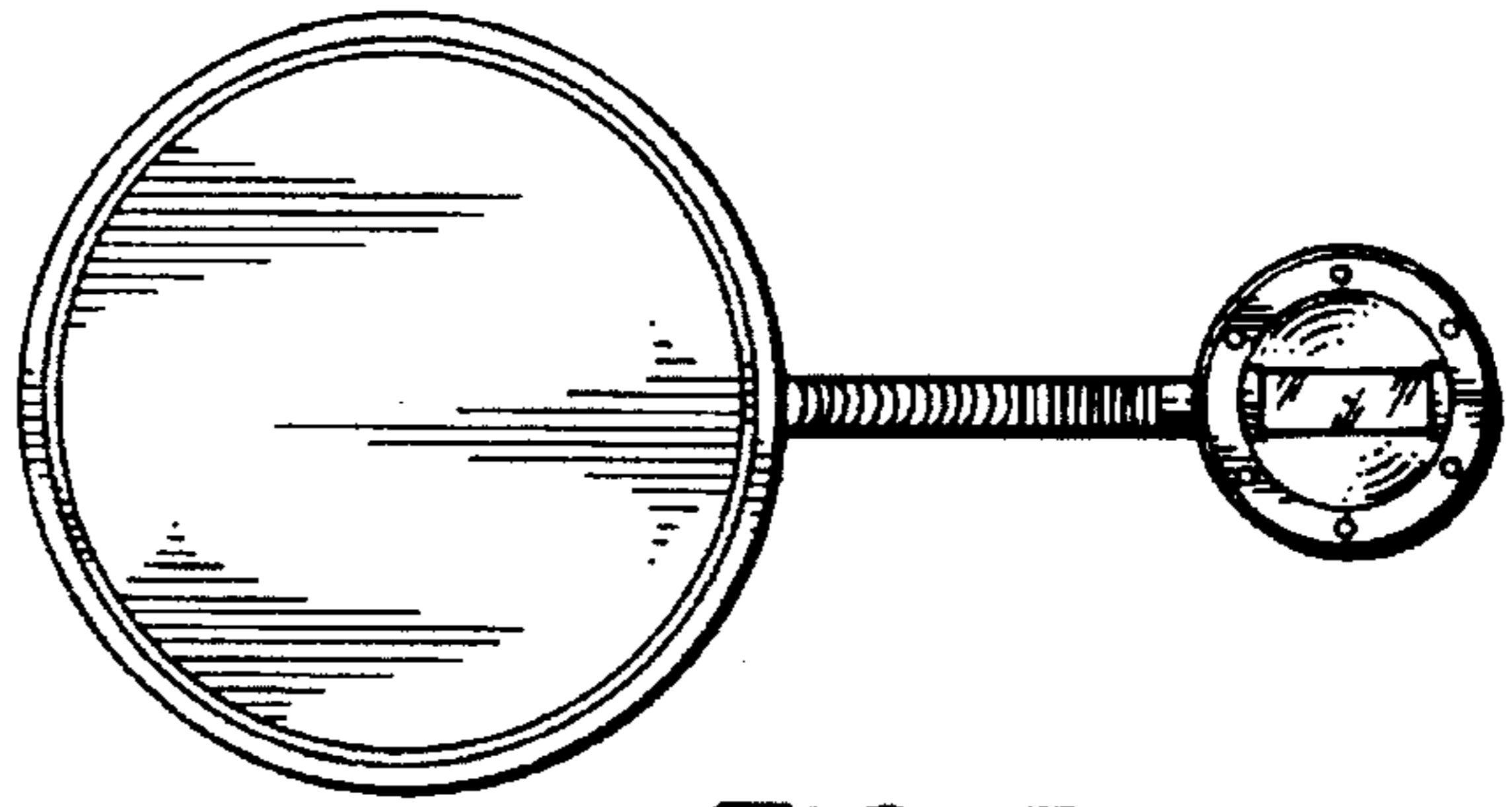


FIG. 5

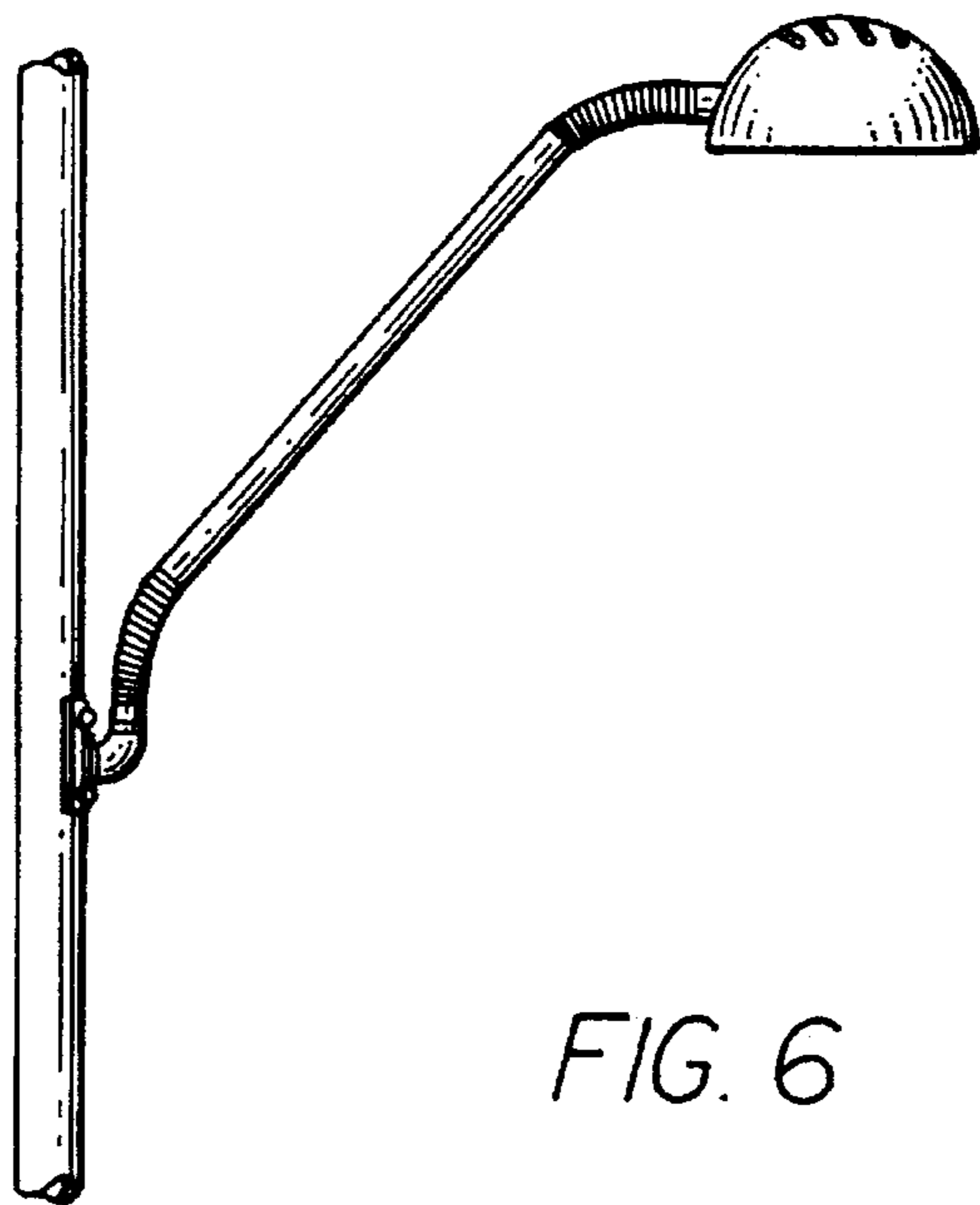


FIG. 6