



US00D381102S

United States Patent [19]

Kaiser et al.

[11] Patent Number: **Des. 381,102**

[45] Date of Patent: ****Jul. 15, 1997**

[54] HEAD FOR A FLEXIBLE FLASHLIGHT

[75] Inventors: **David W. Kaiser**, North Haven;
Patrick B. Nolan, Westport, both of
Conn.

[73] Assignee: **Black & Decker Inc.**, Newark, Del.

[**] Term: **14 Years**

[21] Appl. No.: **37,584**

[22] Filed: **Apr. 17, 1995**

[51] LOC (6) Cl. **26-02**

[52] U.S. Cl. **D26/43**

[58] Field of Search D26/37, 43, 44,
D26/46, 49, 60, 62; 362/157, 158, 184,
188, 189, 191, 198, 199, 200, 202, 362,
396

[56] References Cited

U.S. PATENT DOCUMENTS

- D. 147,258 8/1947 Becker D26/43
- D. 299,173 12/1988 Powell et al. D26/37
- D. 314,243 1/1991 Ueda D26/37 X
- D. 314,246 1/1991 Bache D26/62

FOREIGN PATENT DOCUMENTS

671734 2/1986 Japan D26/43

Primary Examiner—A. Hugo Word
Assistant Examiner—Lavone D. Tabor
Attorney, Agent, or Firm—Barry E. Deutsch

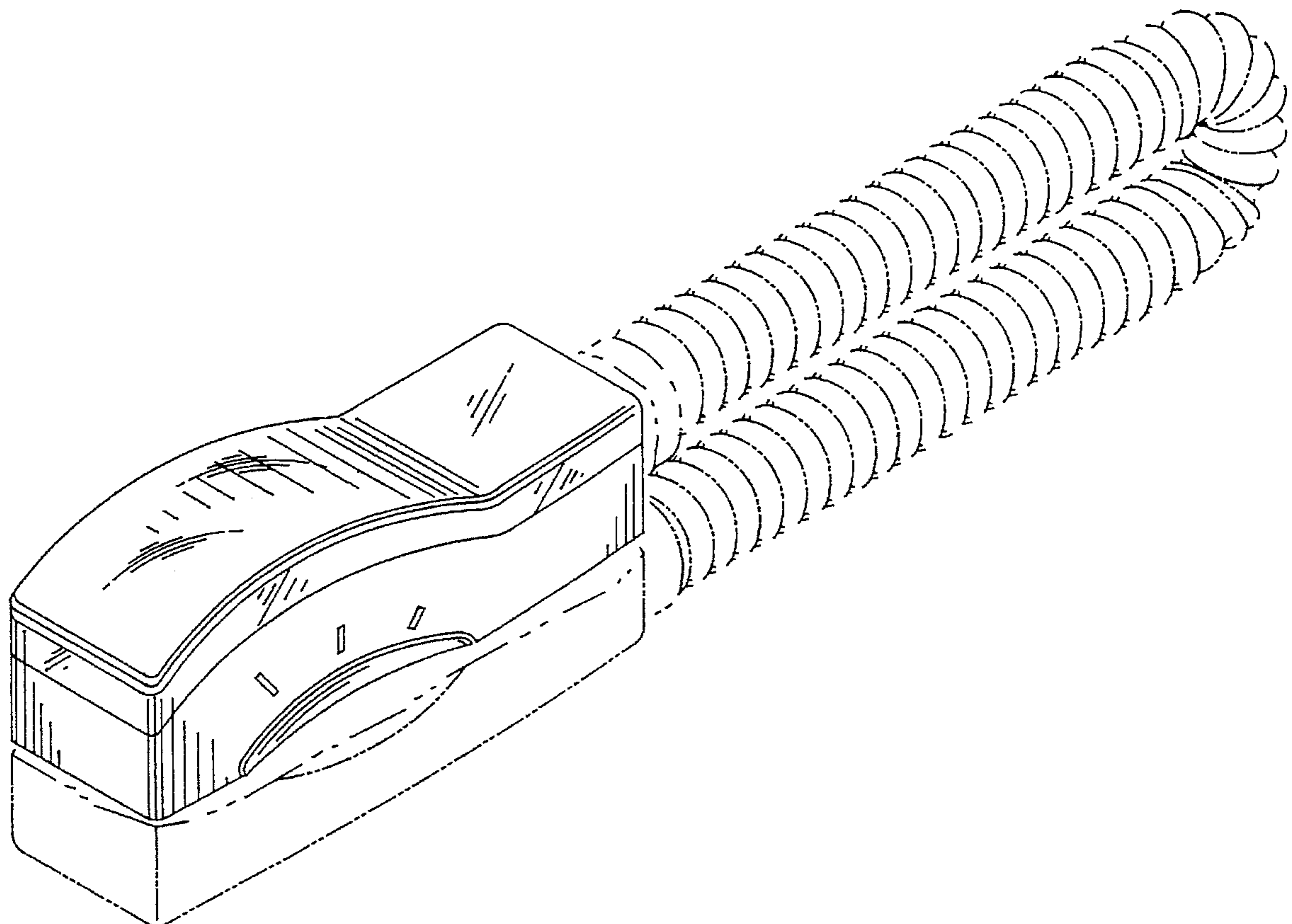
[57] CLAIM

The ornamental design for a head for a flexible flashlight, as shown and described.

DESCRIPTION

FIG. 1 is a perspective view taken from the front, right, and top of a head for a flexible flashlight illustrating our new design, the portion shown in phantom is illustrative of a flexible core to which my new design may be attached; FIG. 2 is a right side elevational view thereof; FIG. 3 is a left side elevational view thereof; FIG. 4 is a front elevational view thereof; FIG. 5 is a rear elevational view thereof; FIG. 6 is a top plan view thereof; and, FIG. 7 is a bottom plan view thereof. The broken lines are for illustrative purposes only and form no part of the claimed design.

1 Claim, 3 Drawing Sheets



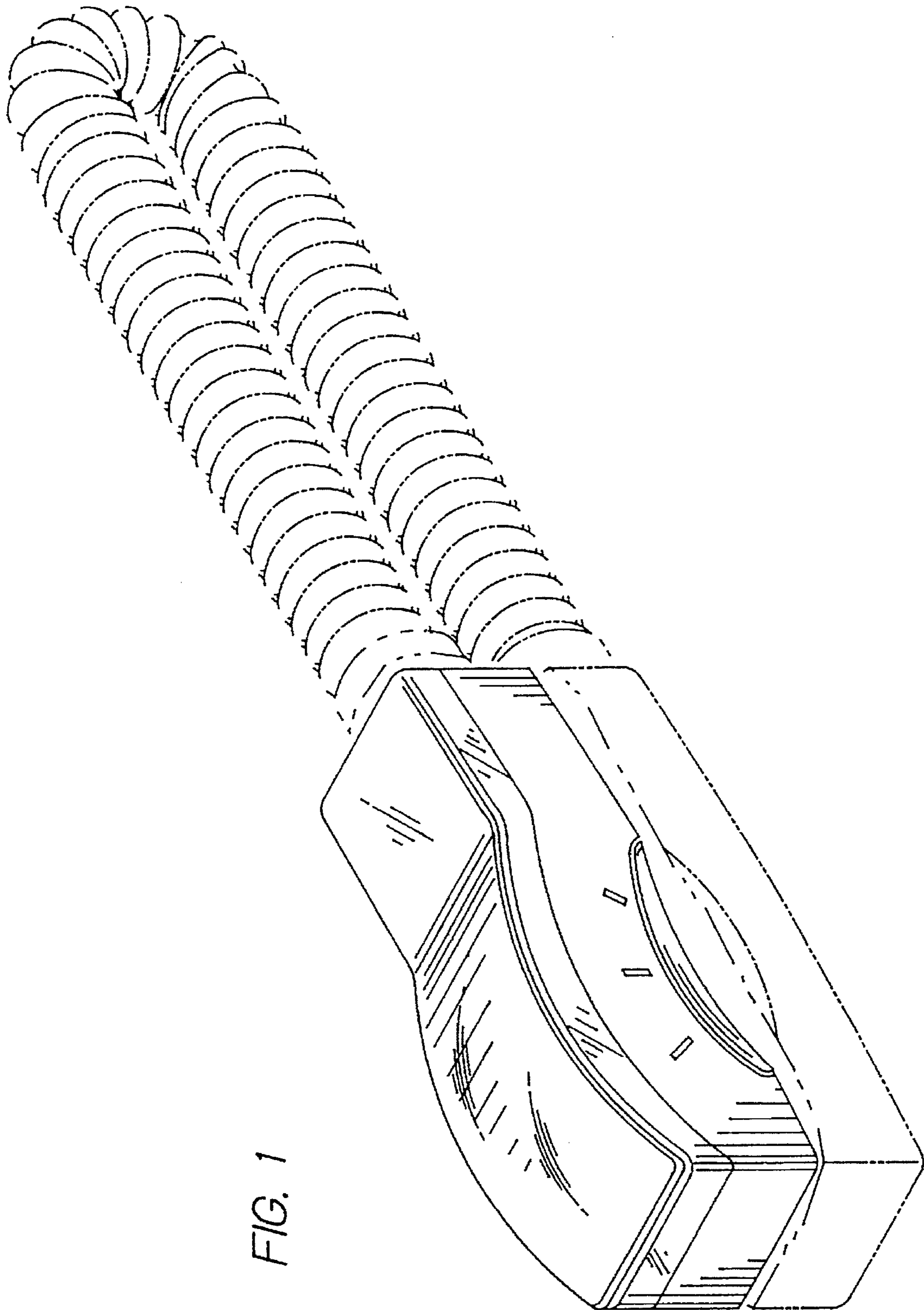


FIG. 1

FIG. 2

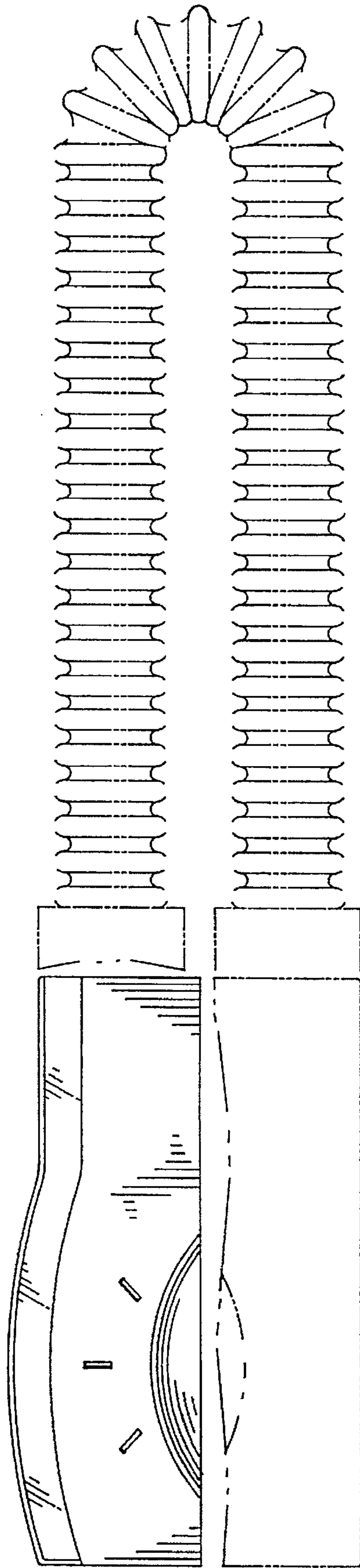
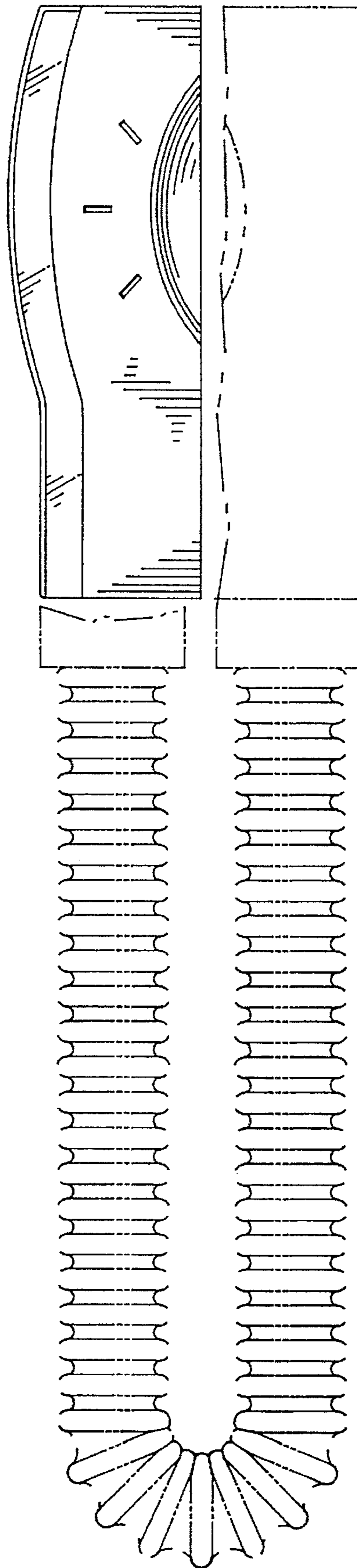


FIG. 3



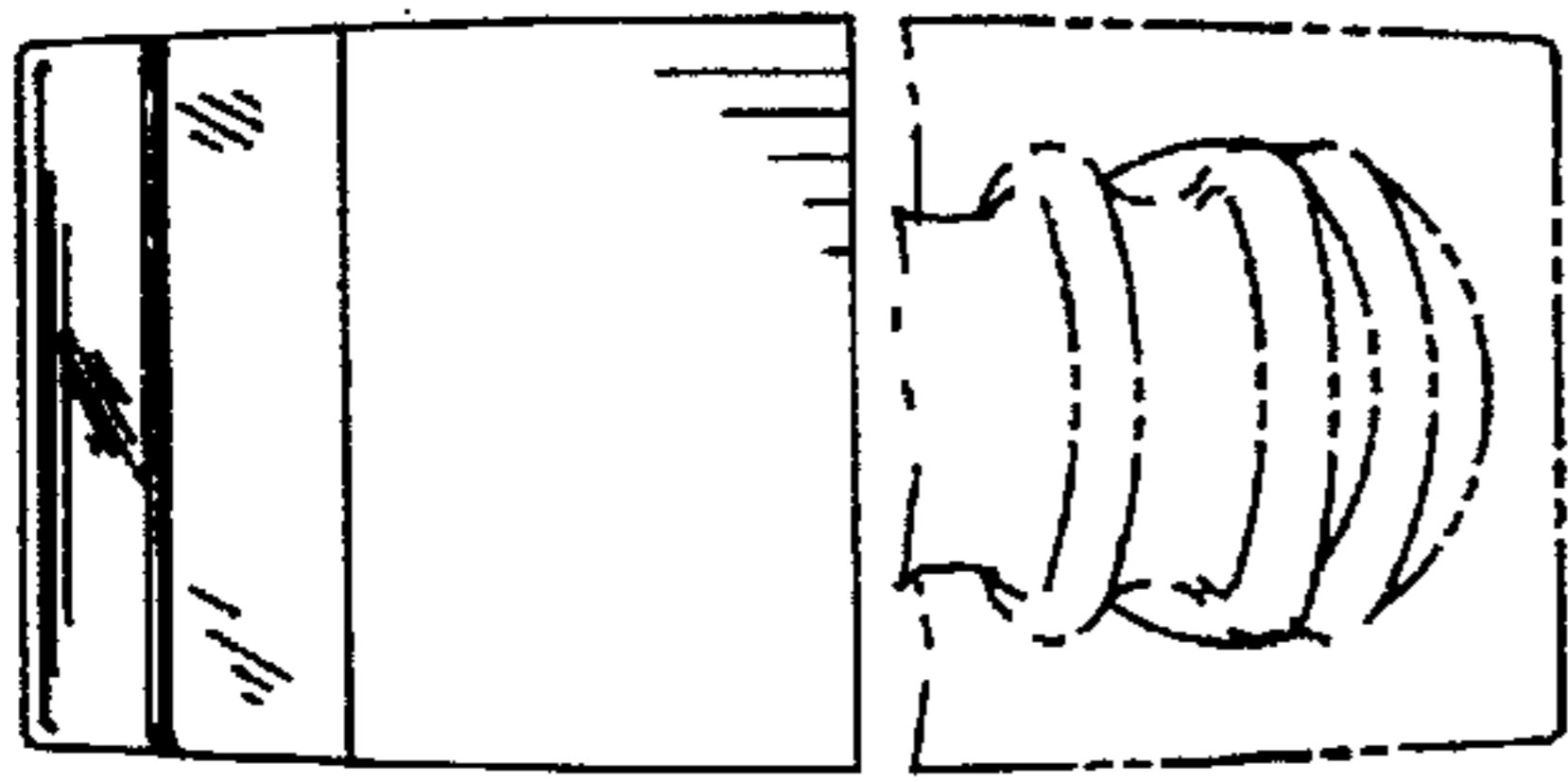


FIG. 5

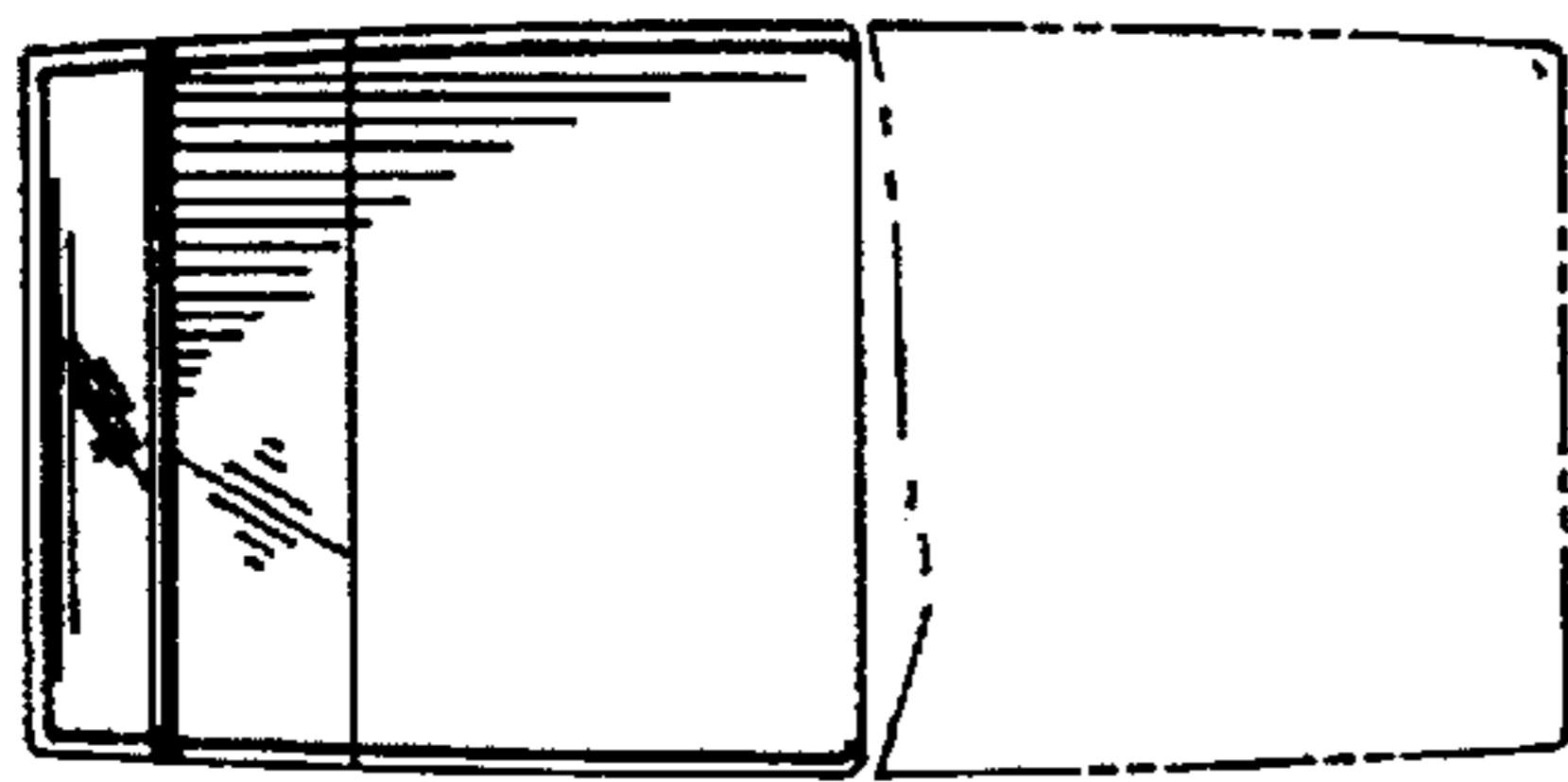


FIG. 4

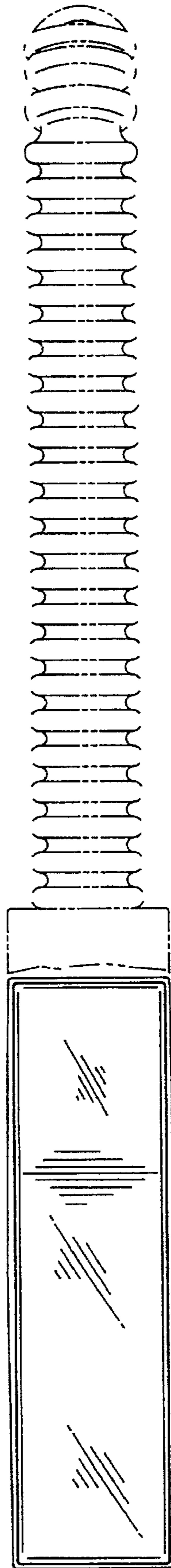


FIG. 6

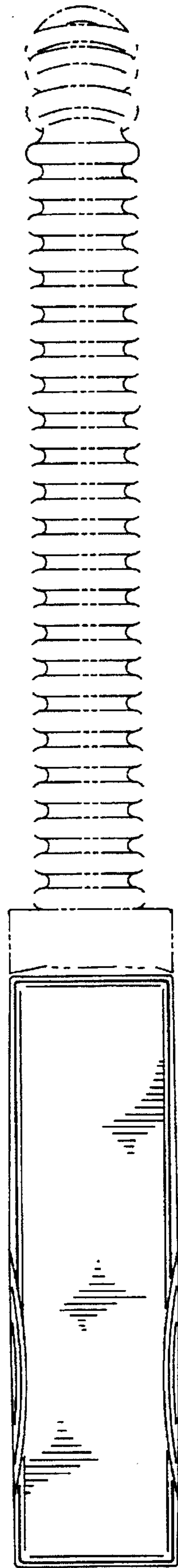


FIG. 7