



US00D381101S

# United States Patent [19]

Haberstich et al.

[11] Patent Number: Des. 381,101

[45] Date of Patent: \*\*Jul. 15, 1997

- [54] FLEXIBLE FLASHLIGHT
- [75] Inventors: Daniel Haberstich, Rocky Hill; Robert Marvin, Farmington; David W. Kaiser, North Haven, all of Conn.
- [73] Assignee: Black & Decker Inc., Newark, Del.
- [\*\*] Term: 14 Years
- [21] Appl. No.: 35,083
- [22] Filed: Feb. 21, 1995
- [51] LOC (6) Cl. .... 26-02
- [52] U.S. Cl. .... D26/43
- [58] Field of Search ..... D26/37, 43, 44, D26/46, 49, 60, 62; 362/157, 158, 184, 188, 189, 191, 198, 199, 200, 202, 362, 396

3,111,277 11/1963 Grimsley ..... D26/43 X

### FOREIGN PATENT DOCUMENTS

- 604541 7/1983 Japan ..... D26/43
- 671733 2/1986 Japan ..... D26/43
- 671734 2/1986 Japan ..... D26/43

Primary Examiner—A. Hugo Word  
 Assistant Examiner—Lavone D. Tabor  
 Attorney, Agent, or Firm—Barry E. Deutsch

### [57] CLAIM

The ornamental design for a flexible flashlight, as shown and described.

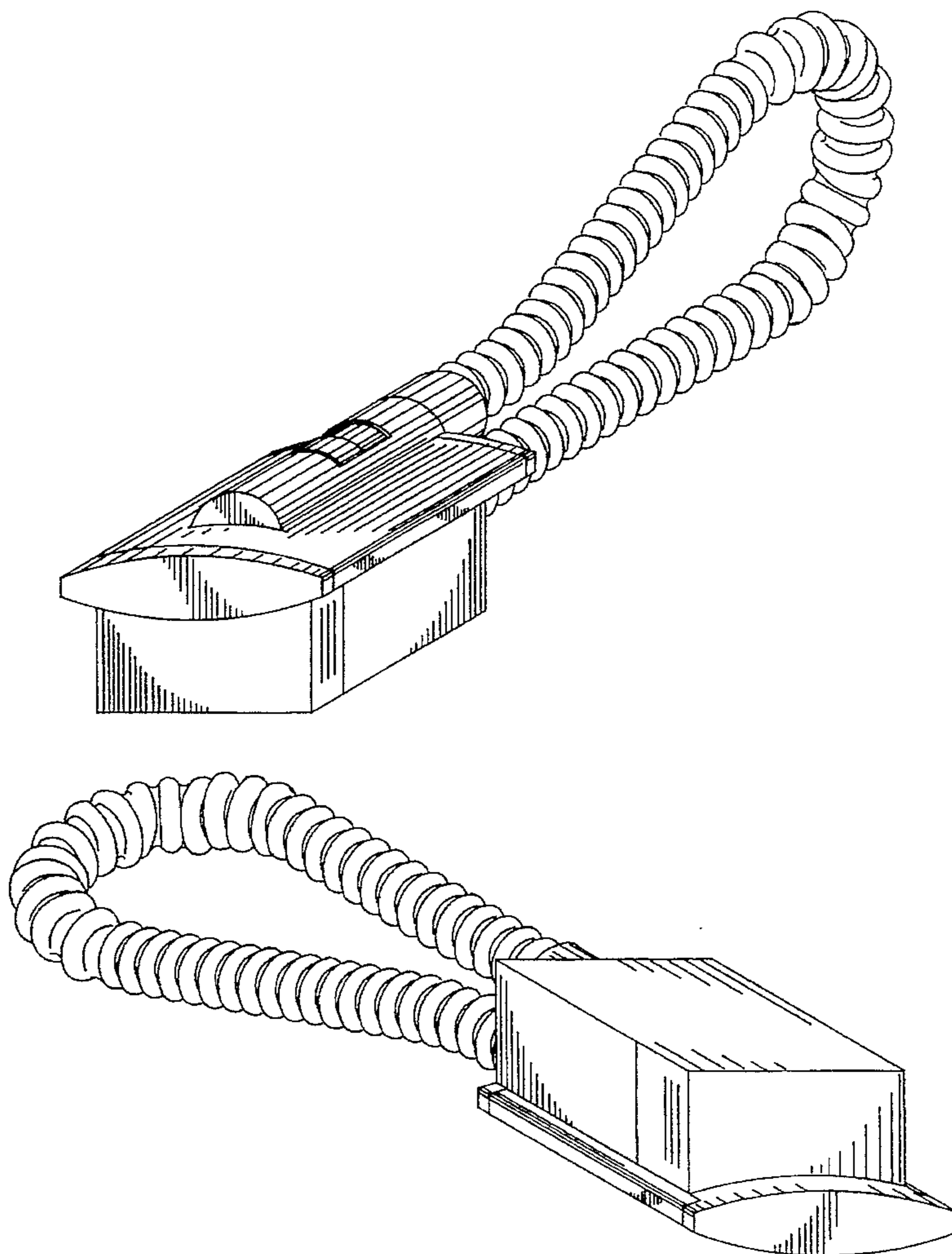
### DESCRIPTION

FIG. 1 is a perspective view taken from the front, right side and top of a flexible flashlight showing our new design; FIG. 2 is a right side elevational view thereof; FIG. 3 is a left side elevational view thereof; FIG. 4 is a front elevational view thereof; FIG. 5 is a rear elevational view thereof; FIG. 6 is a top plan view thereof; FIG. 7 is a bottom plan view thereof; and, FIG. 8 is a bottom perspective view thereof.

1 Claim, 5 Drawing Sheets

[56] **References Cited**  
 U.S. PATENT DOCUMENTS

- D. 147,258 8/1947 Becker ..... D26/43
- D. 166,073 3/1952 Dunkelberger ..... D26/43
- D. 314,246 1/1991 Bache ..... D26/62
- D. 328,146 7/1992 Sinsteden ..... D26/49



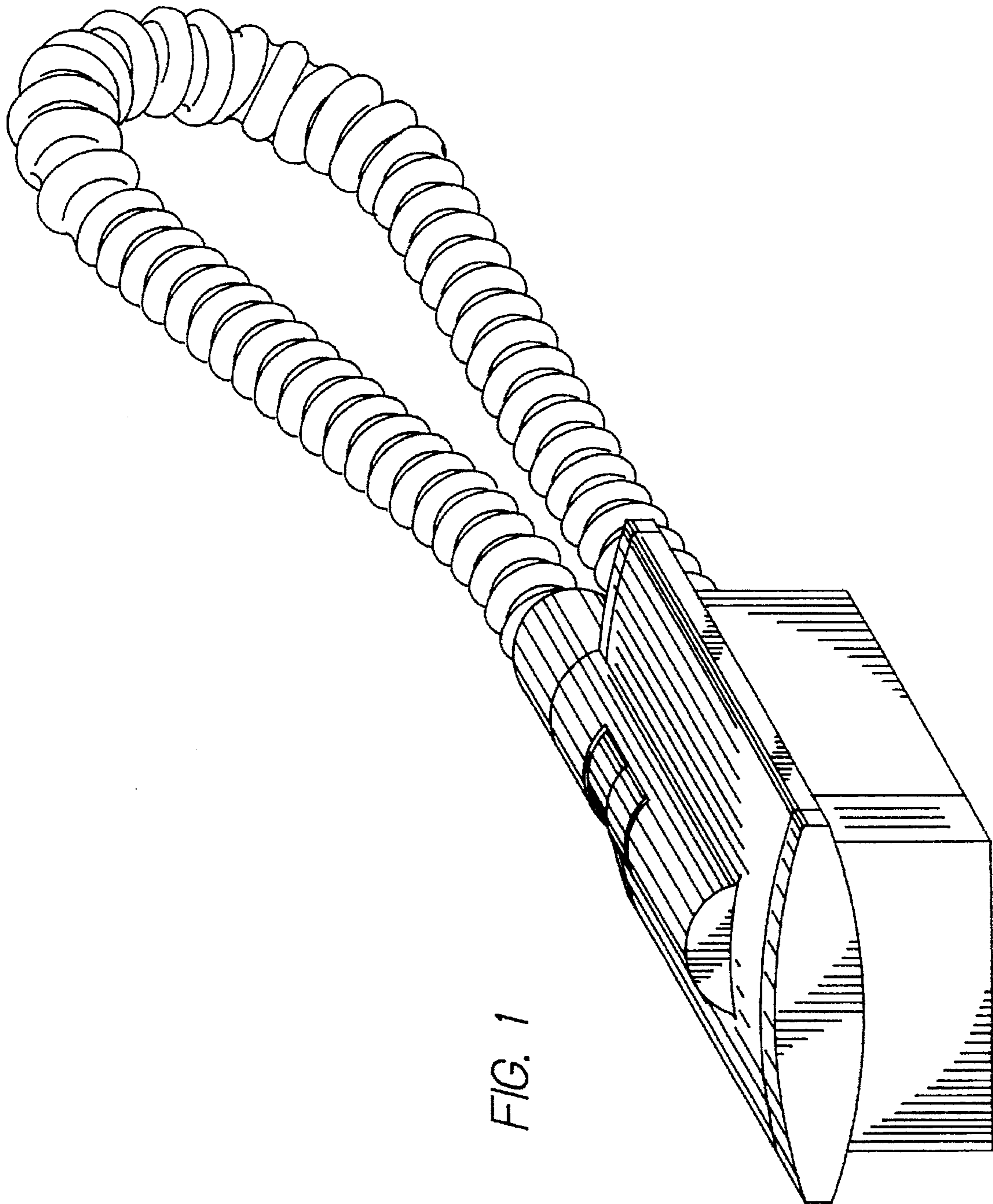
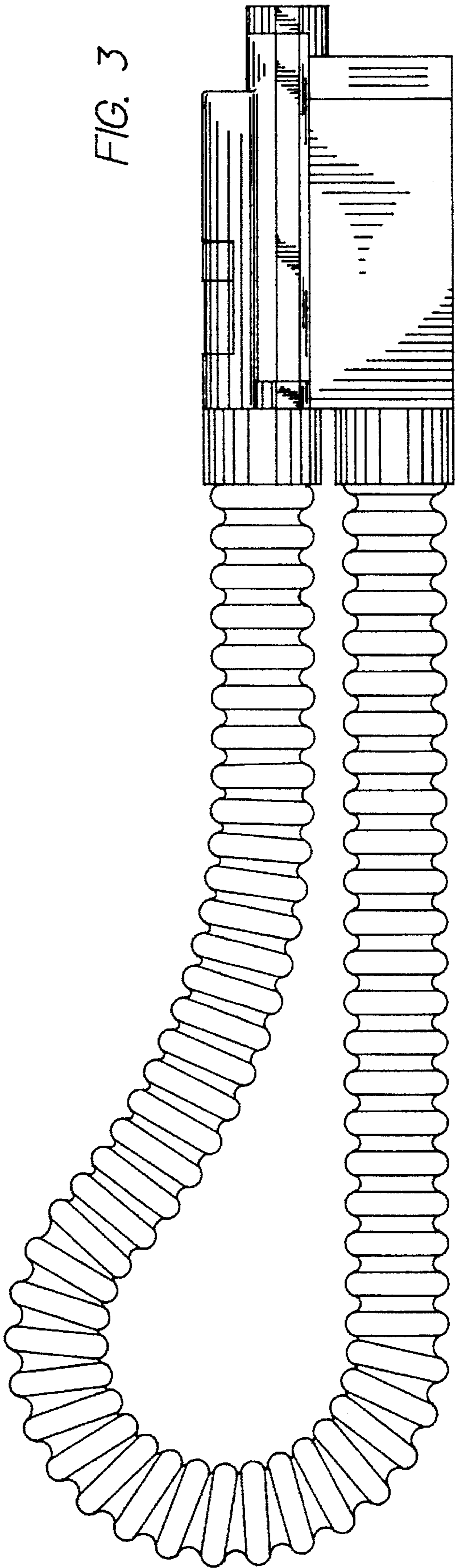
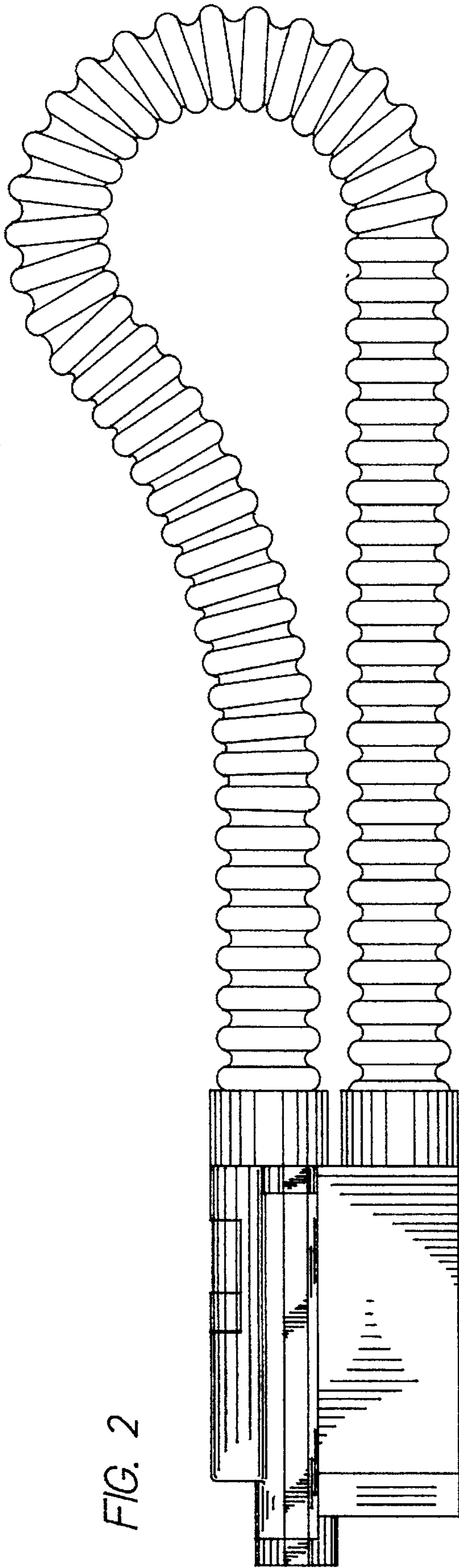


FIG. 1



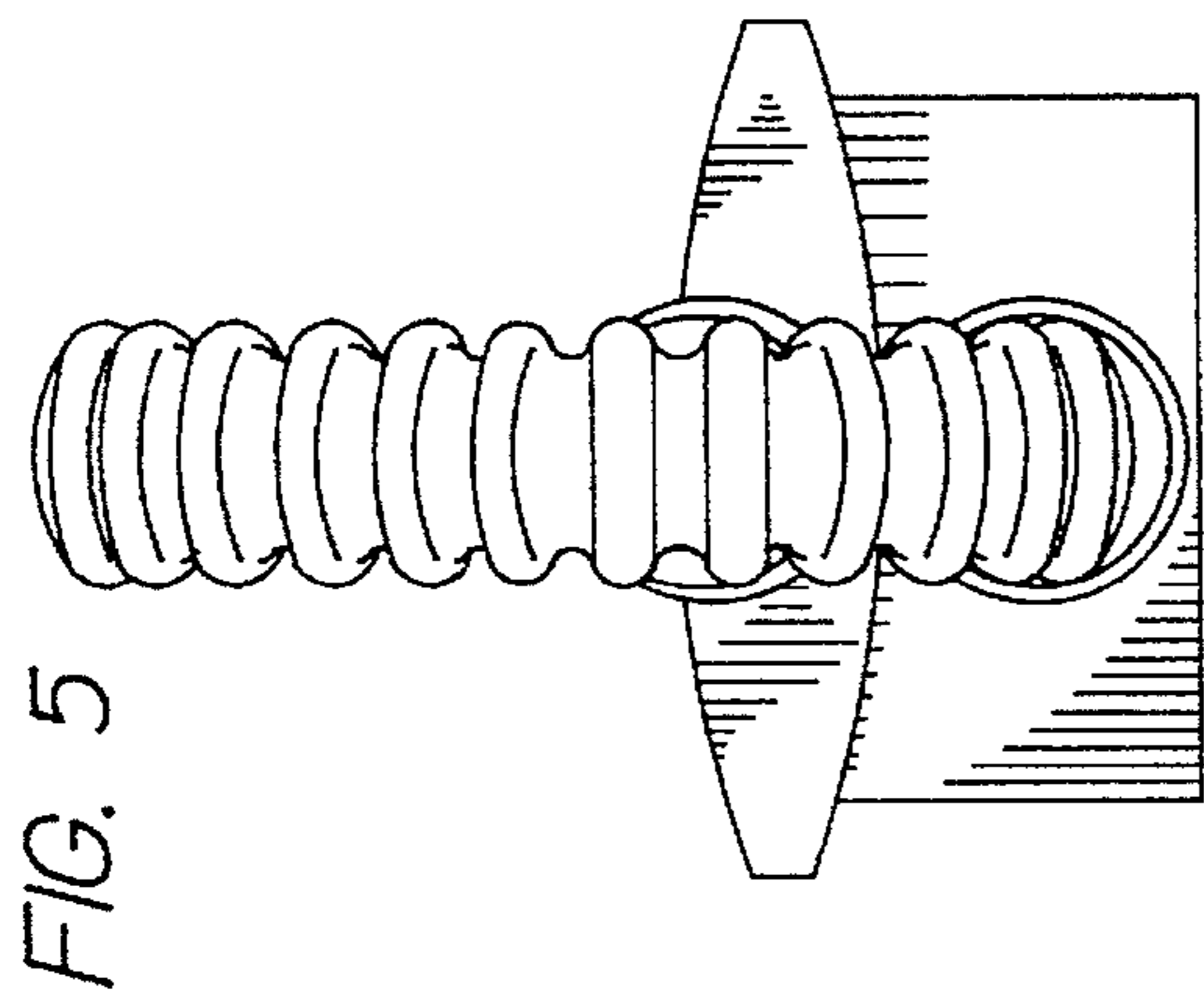


FIG. 5

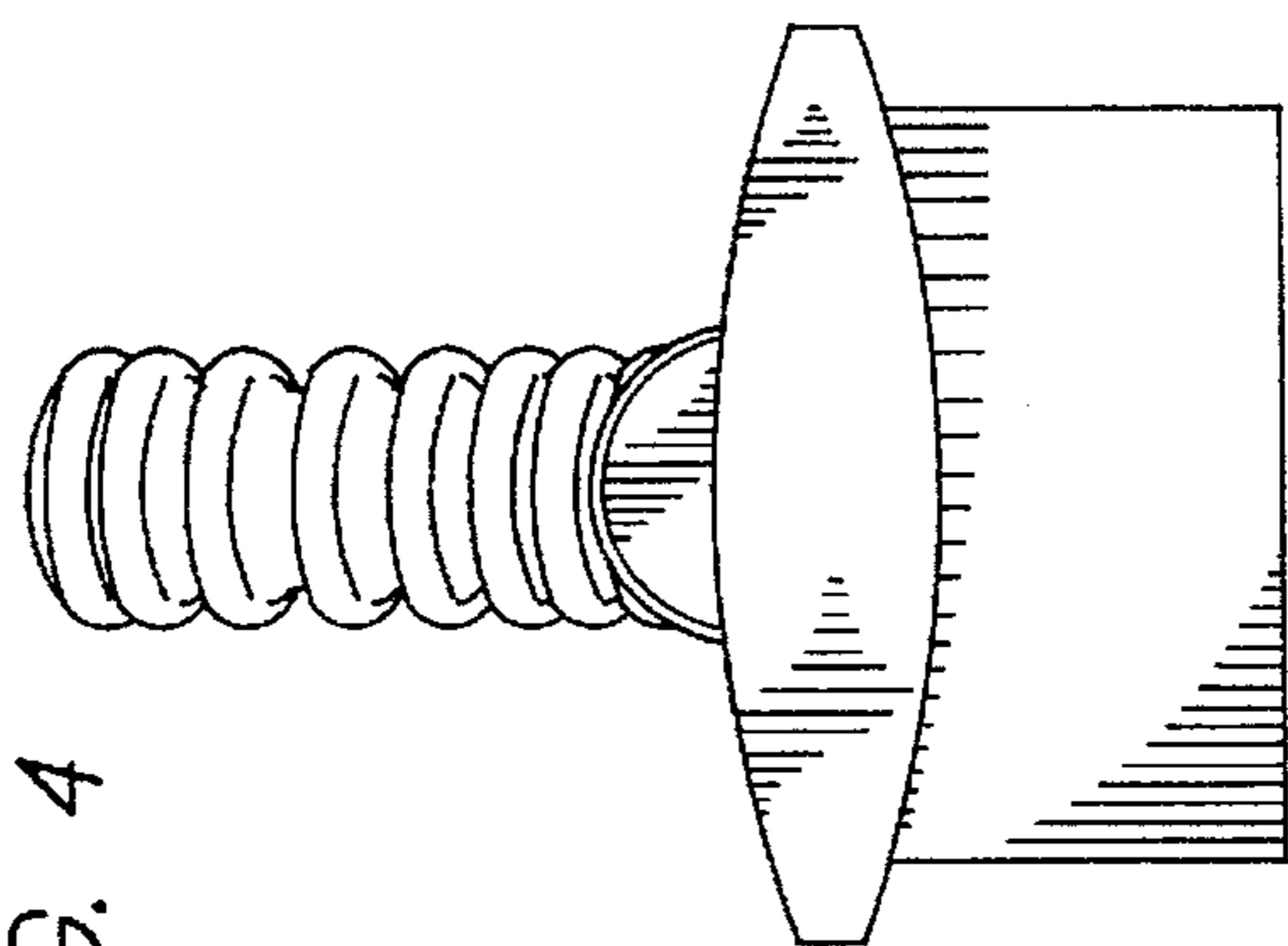


FIG. 4

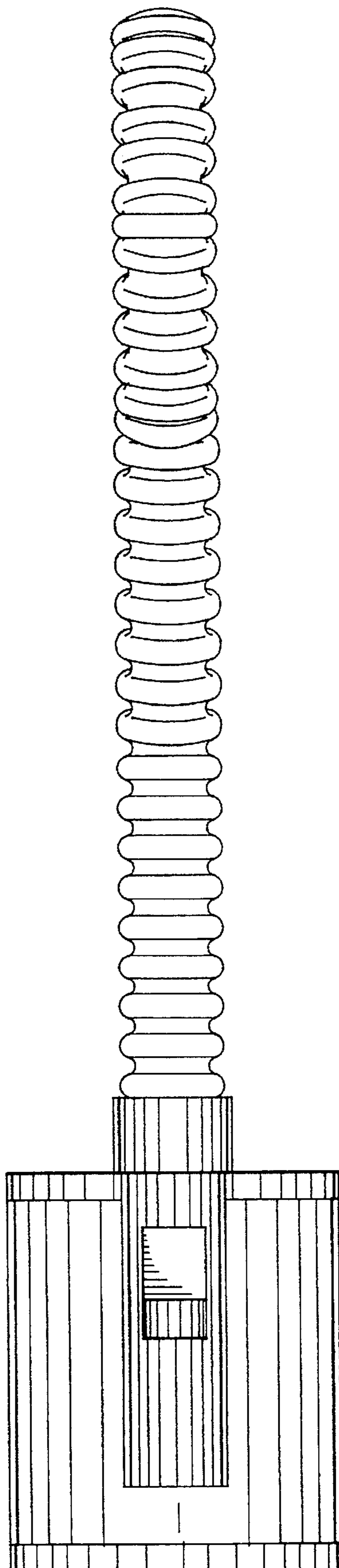


FIG. 6

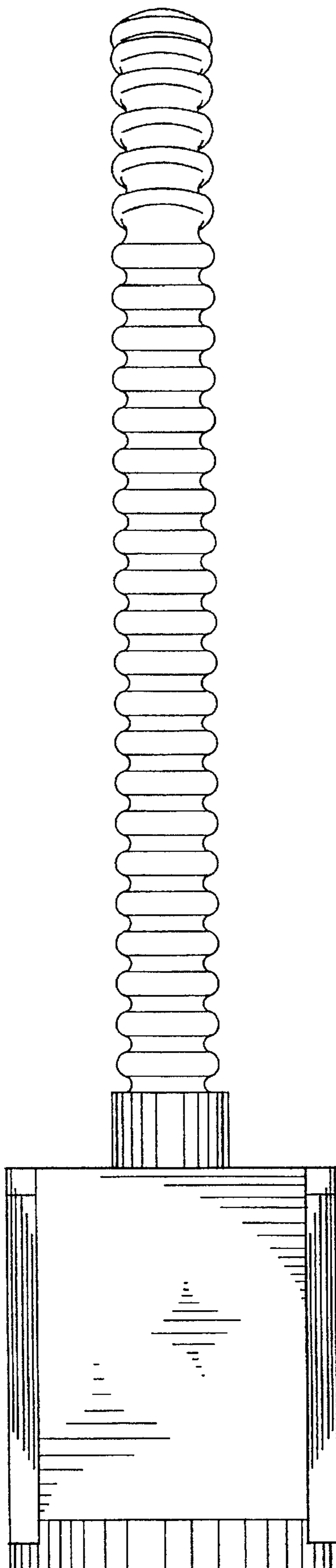


FIG. 7

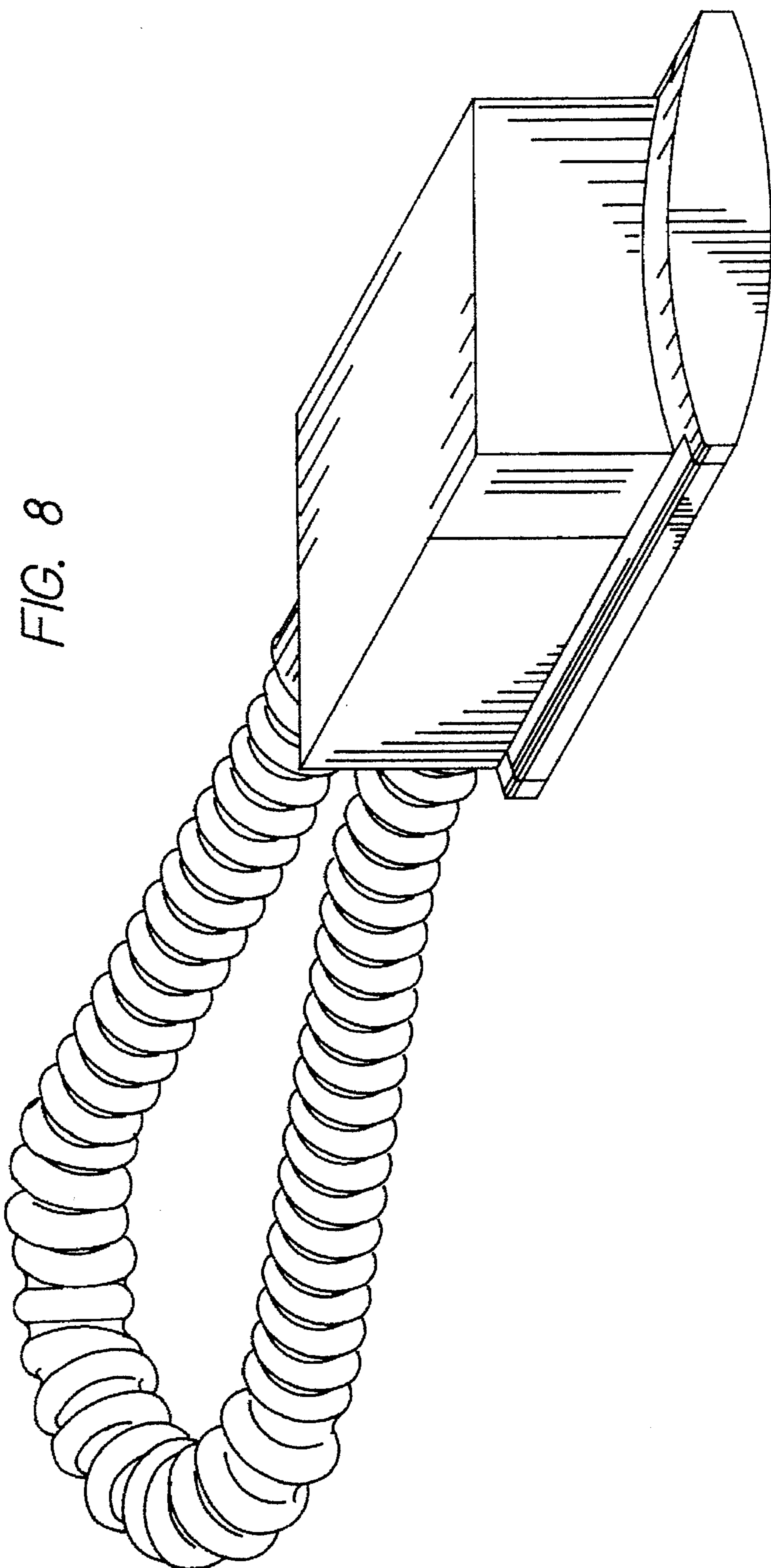


FIG. 8