

US00D381100S

**United States Patent** [19]  
**Fink**

[11] **Patent Number: Des. 381,100**

[45] **Date of Patent: \*\*Jul. 15, 1997**

[54] **COMBINED FLASHLIGHT, RADIO AND WARNING LIGHT**

[75] Inventor: **David Fink**, Suffolk County, N.Y.

[73] Assignee: **Windsor Industries, Inc.**, Farmingdale, N.Y.

[\*\*] Term: **14 Years**

[21] Appl. No.: **52,571**

[22] Filed: **Mar. 4, 1996**

[51] **LOC (6) Cl.** ..... **26-02**

[52] **U.S. Cl.** ..... **D26/38; D14/168**

[58] **Field of Search** ..... D14/168, 188, D14/193-198; D26/37-50; 362/157, 158, 183, 184, 189, 190, 191, 196, 197, 198, 199, 200, 201, 202, 203

[56] **References Cited**

**U.S. PATENT DOCUMENTS**

|            |         |      |       |        |
|------------|---------|------|-------|--------|
| D. 320,600 | 10/1991 | Yuen | ..... | D26/38 |
| D. 332,319 | 1/1993  | Yuen | ..... | D26/38 |
| D. 340,300 | 10/1993 | Yuen | ..... | D26/38 |
| D. 341,900 | 11/1993 | Yuen | ..... | D26/38 |

D. 364,869 12/1995 Lam ..... D26/38

*Primary Examiner*—Marcus A. Jackson  
*Attorney, Agent, or Firm*—Howard C. Miskin

[57] **CLAIM**

The ornamental design for a combined flashlight, radio and warning light, as shown and described.

**DESCRIPTION**

FIG. 1 is a front elevational view of the combined flashlight, radio and warning light in closed position showing my new design;

FIG. 2 is the right side elevational view of the combined flashlight, radio and warning light in closed position;

FIG. 3 is the bottom view of the combined flashlight, radio and warning light;

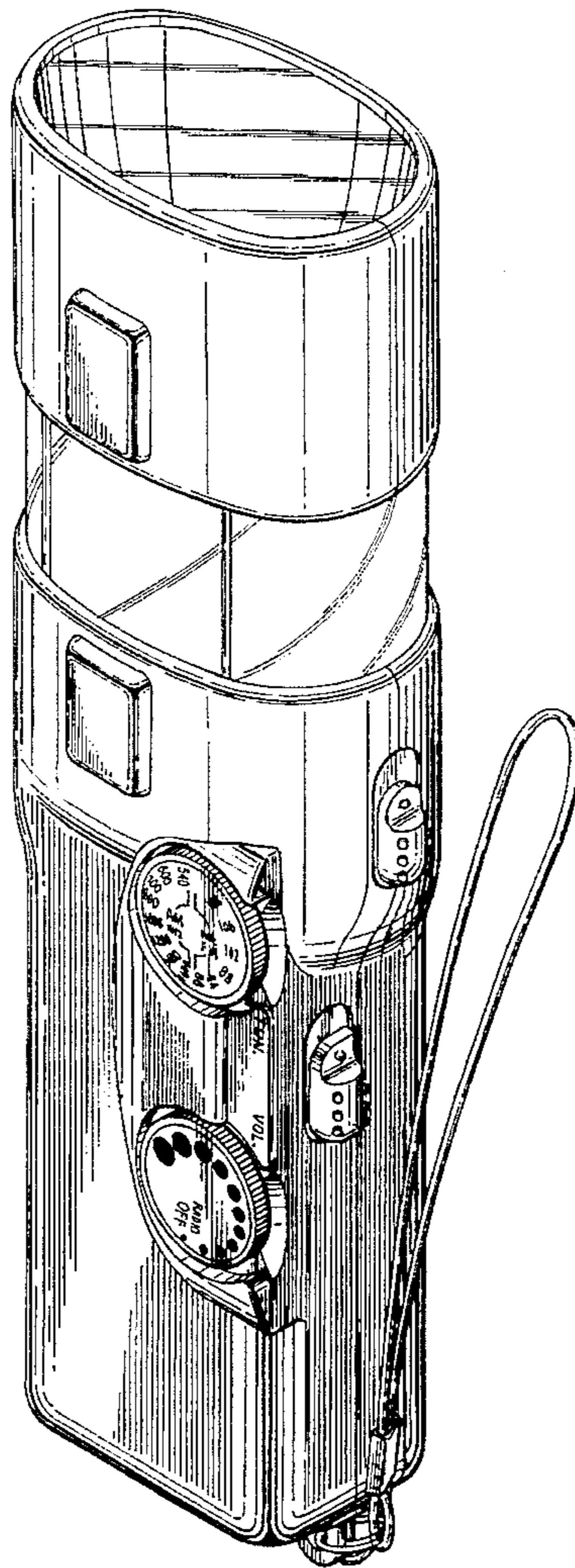
FIG. 4 is the top view of the combined flashlight, radio and warning light view taken from FIG. 5;

FIG. 5 is the rear elevational view of the combined flashlight, radio and warning light in closed position;

FIG. 6 is the left side elevational view of the combined flashlight, radio and warning light in closed position; and,

FIG. 7 is an isometric view of the combined flashlight, radio and warning light in extended position.

**1 Claim, 3 Drawing Sheets**



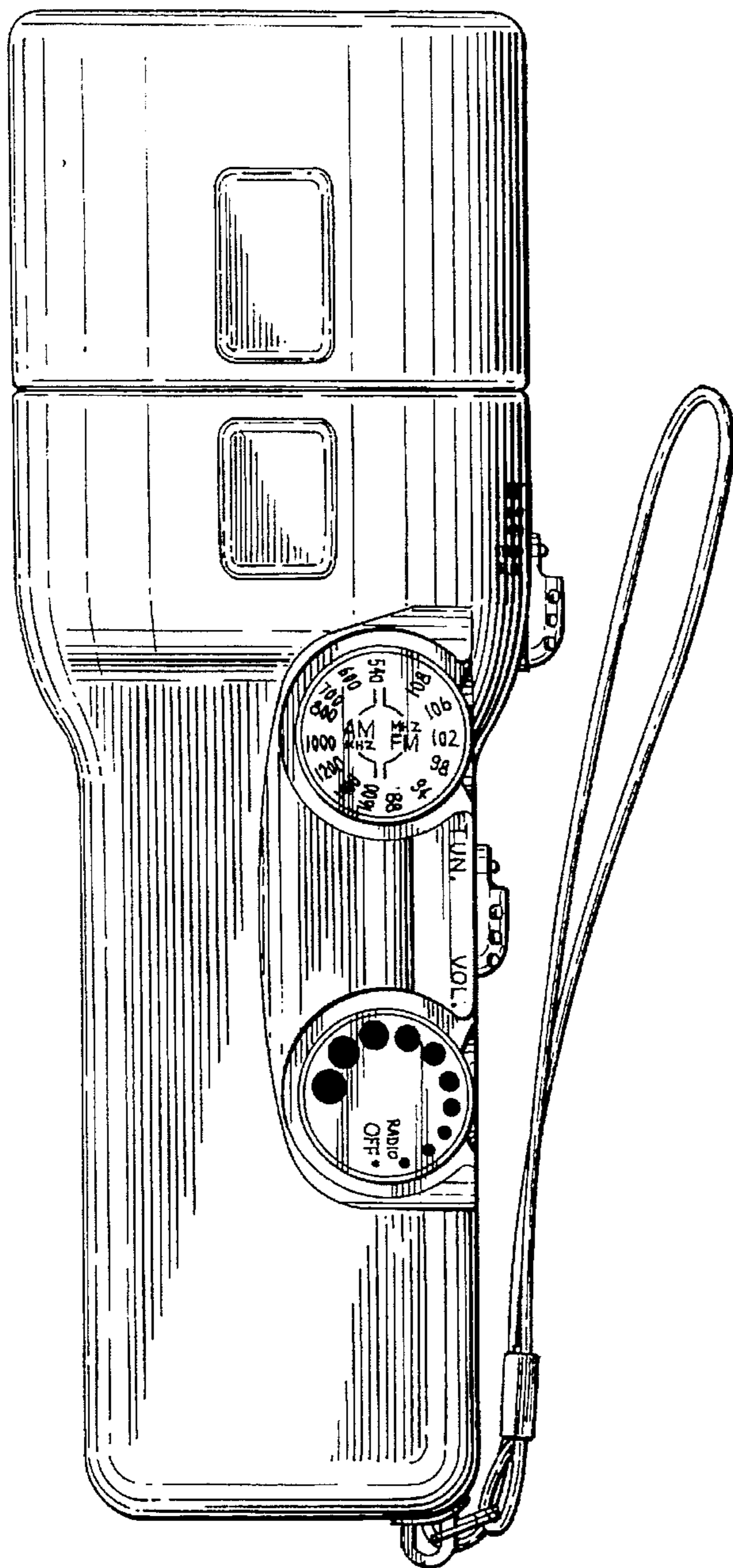


Fig. 1.

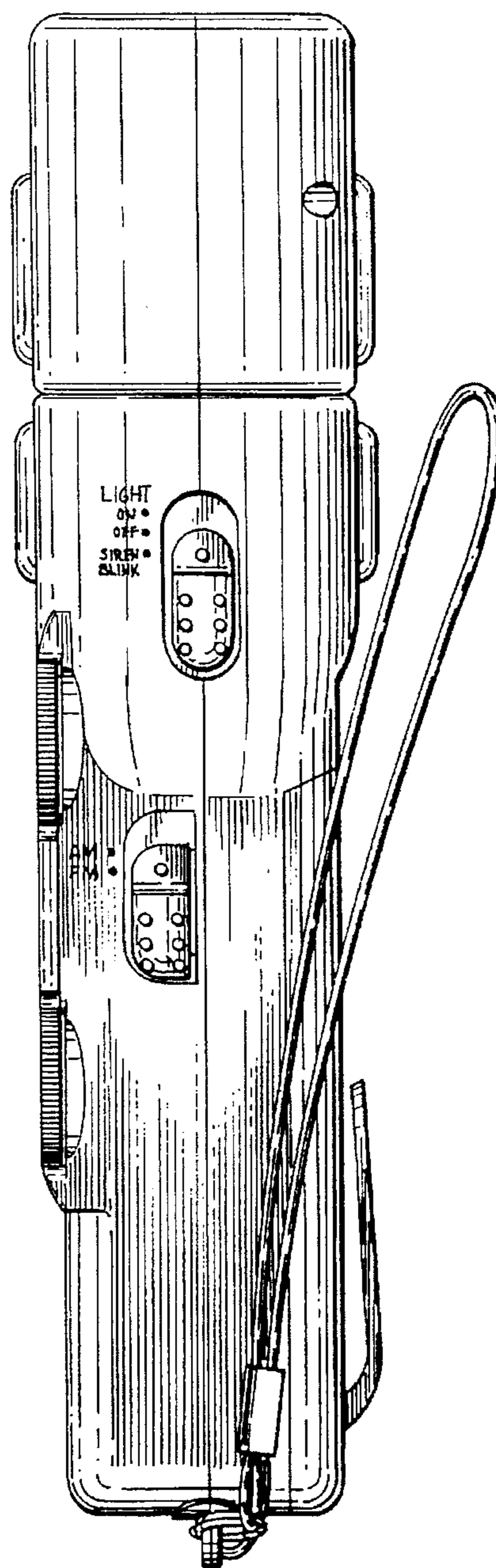


Fig. 2.

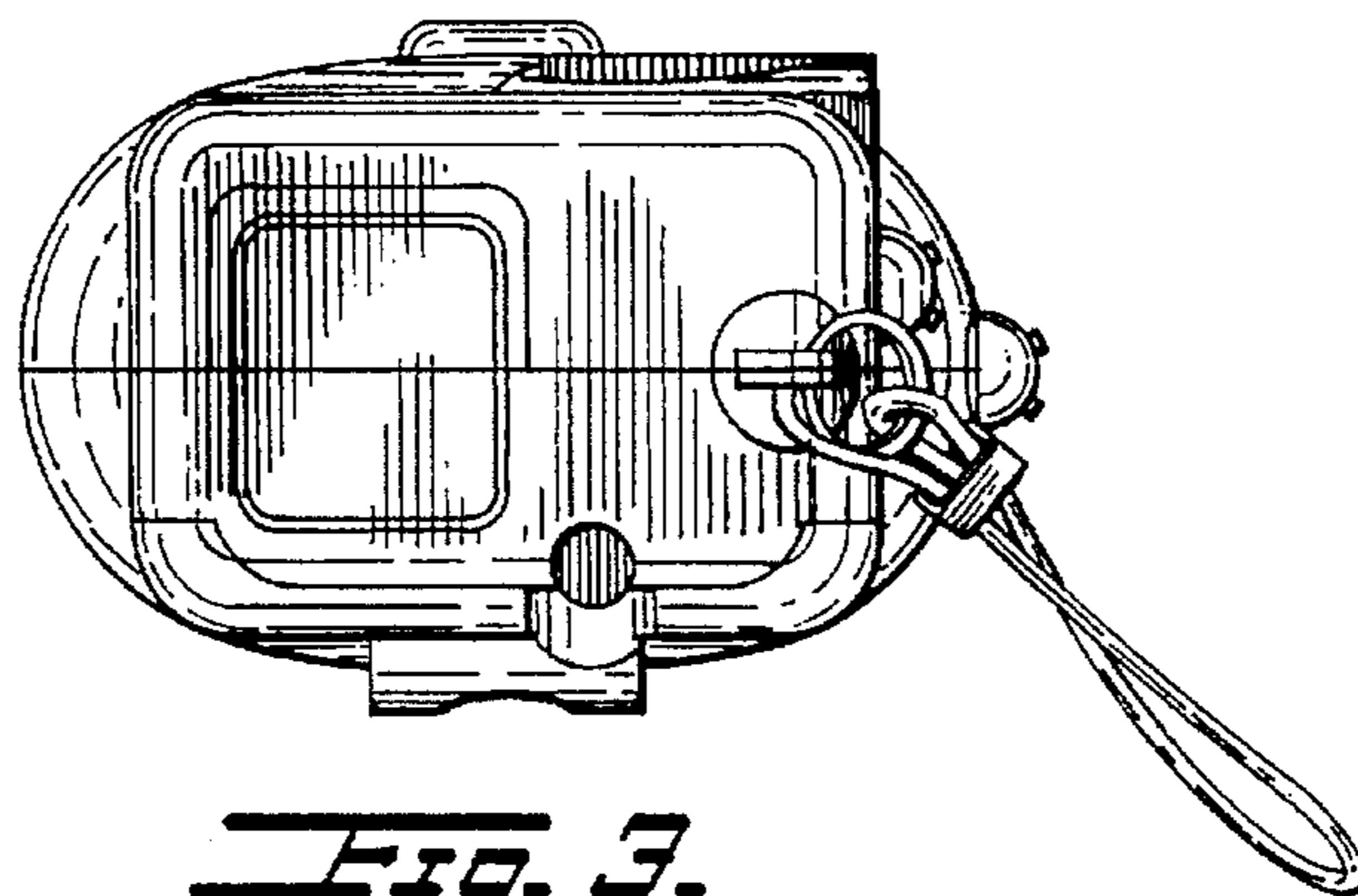


Fig. 3.

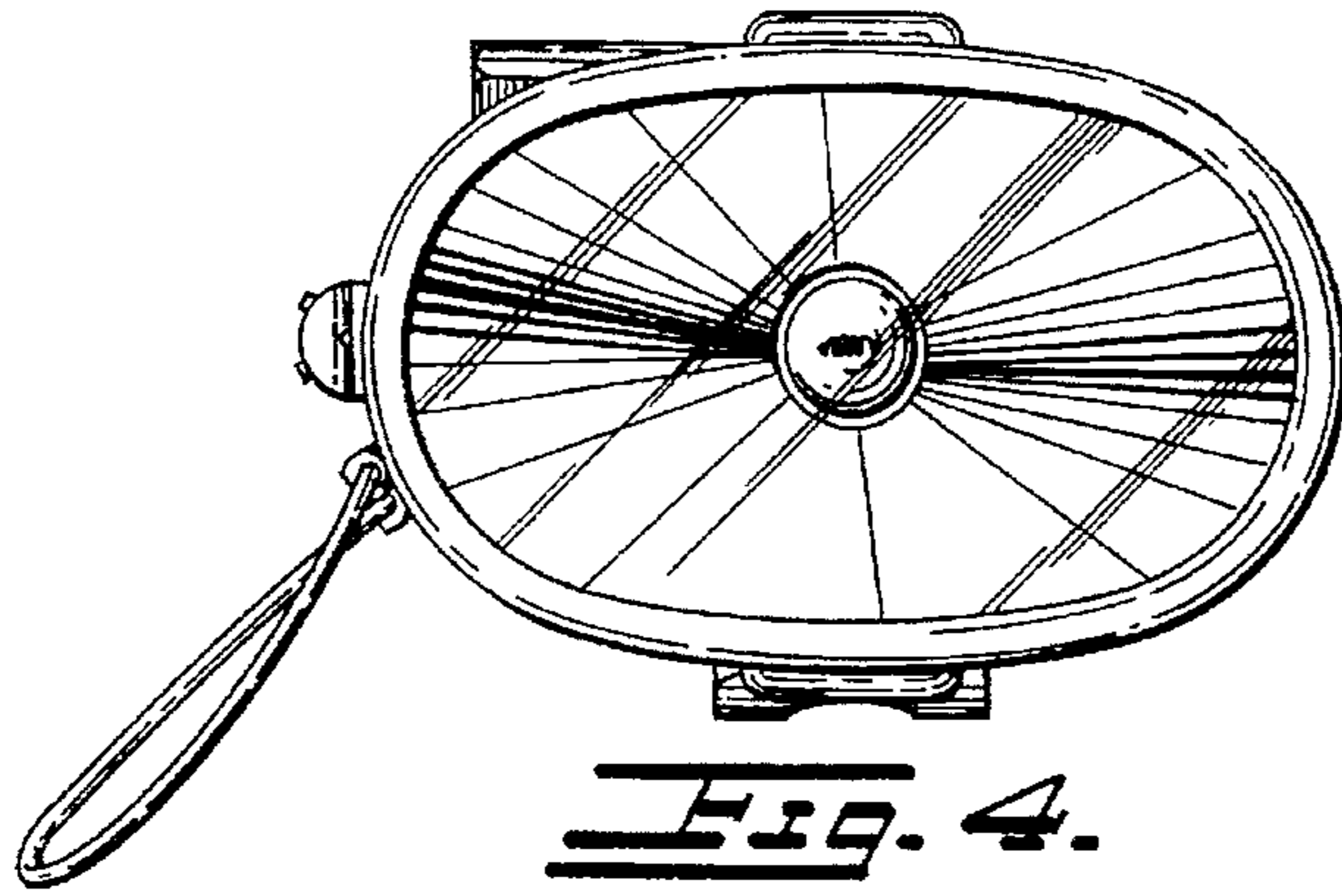


Fig. 4.

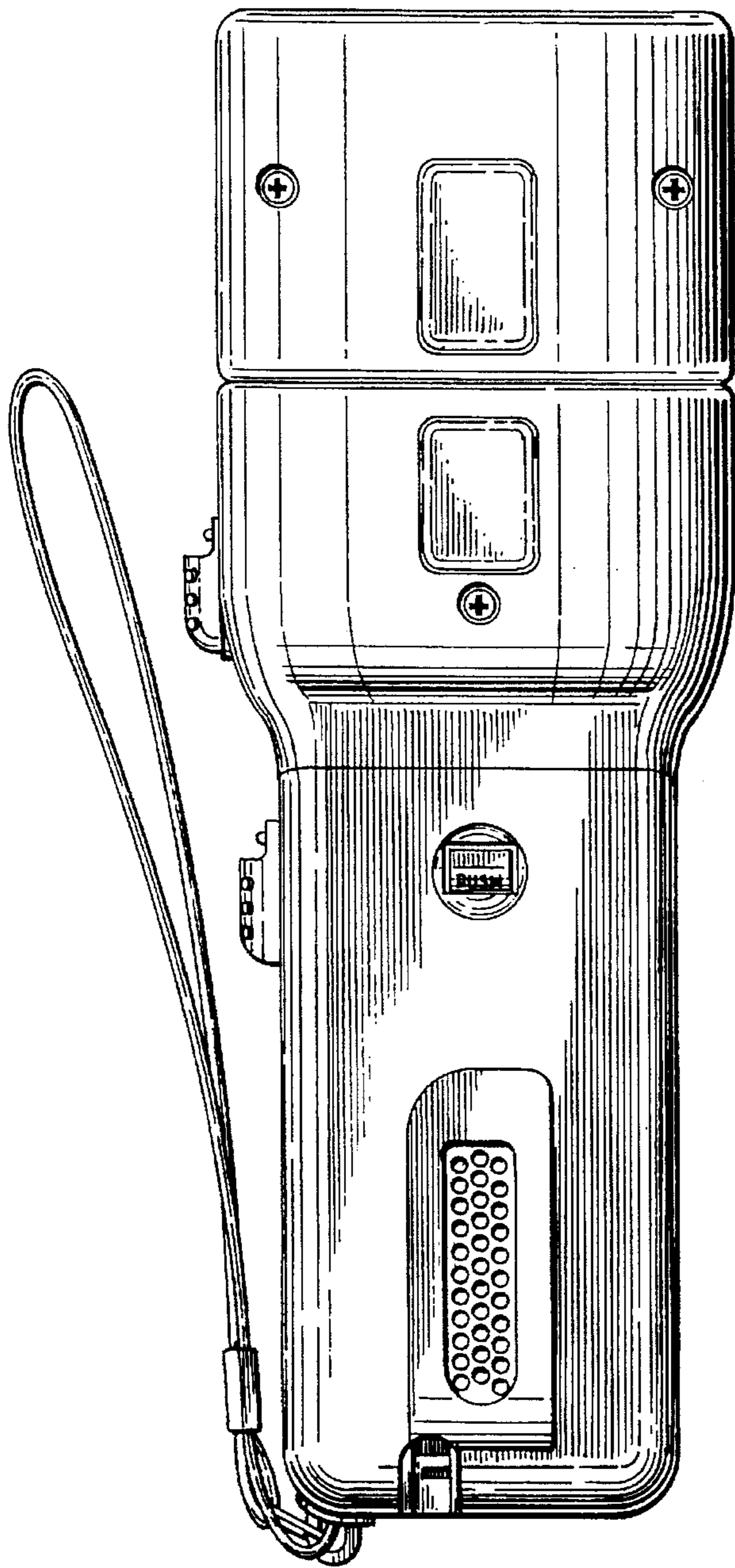


Fig. 5.

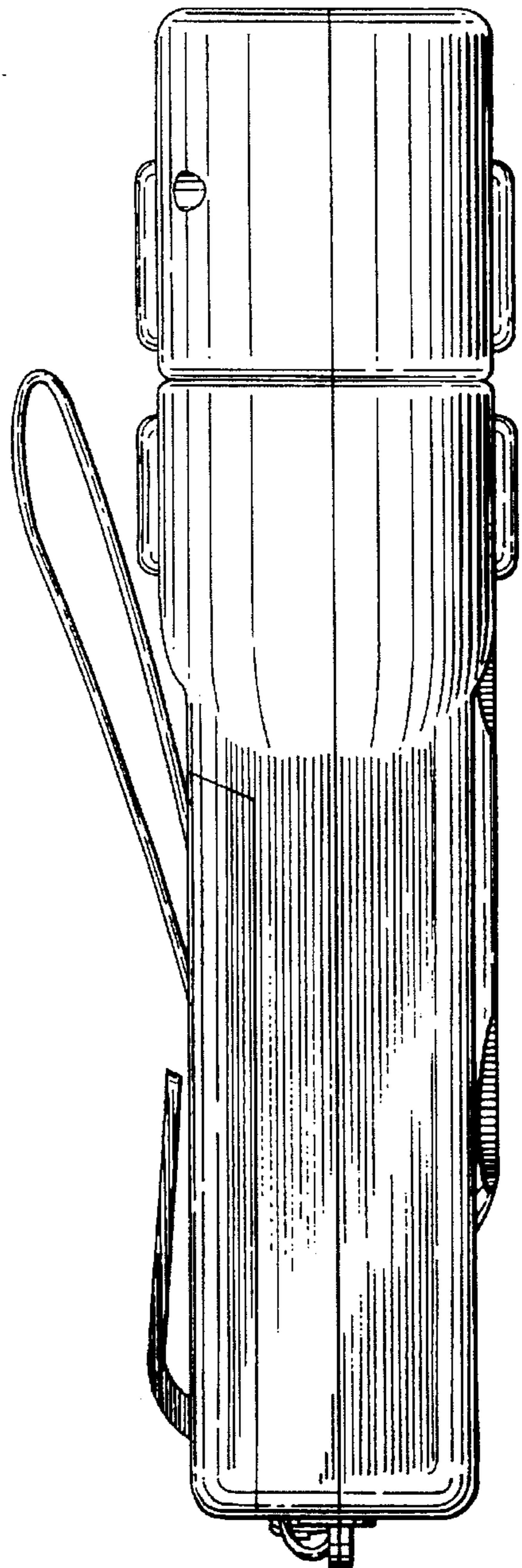


Fig. 6.

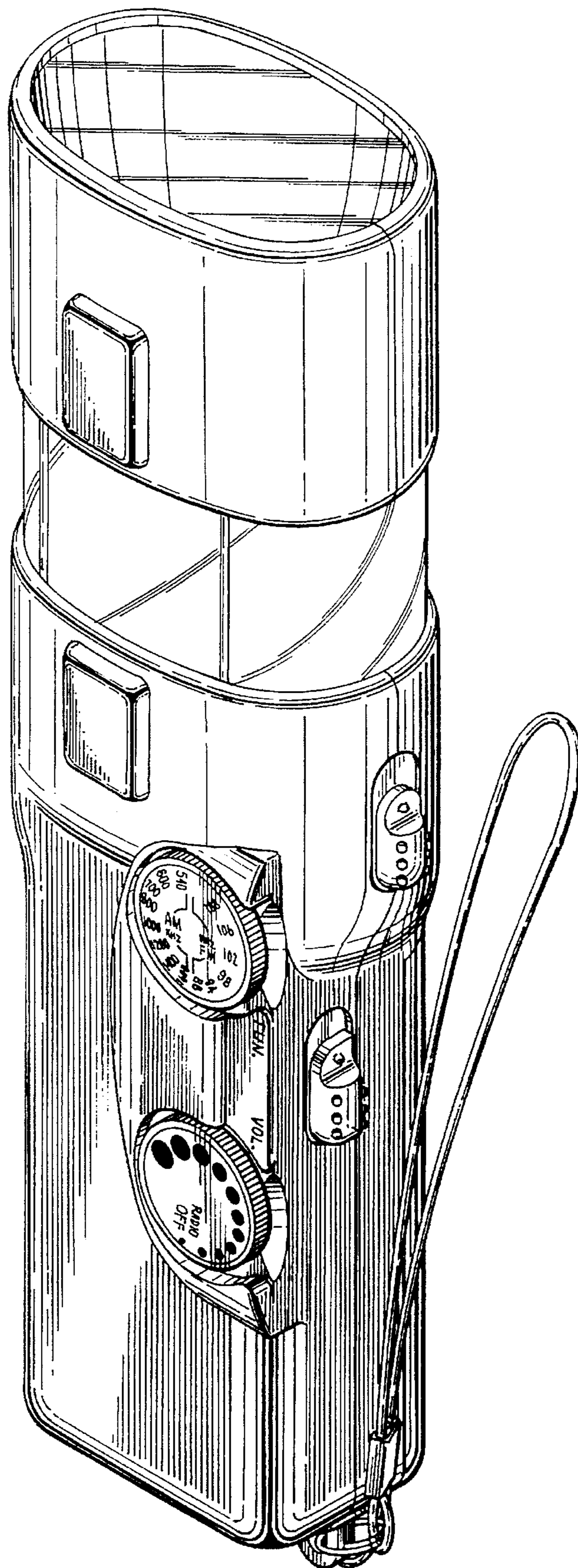


FIG. 7.