



US00D381097S

United States Patent [19] Hing

[11] Patent Number: **Des. 381,097**

[45] Date of Patent: ****Jul. 15, 1997**

[54] **TAPERED GIRDER**

[76] Inventor: **Ally O. Hing**, P.O. Box A, Superior, Ariz. 85273

[**] Term: **14 Years**

[21] Appl. No.: **54,985**

[22] Filed: **May 28, 1996**

[51] LOC (6) Cl. **25-01**

[52] U.S. Cl. **D25/132**

[58] Field of Search D25/61, 126, 127, D25/132; 52/223.8, 223.12, 650.1, 737.1

[56] **References Cited**

U.S. PATENT DOCUMENTS

3,221,464	12/1965	Miller	D25/132
4,633,566	1/1987	Coppa	52/650.1
4,829,739	5/1989	Coppa	52/650.1

Primary Examiner—Doris Clark

Attorney, Agent, or Firm—Warren F. B. Lindsley

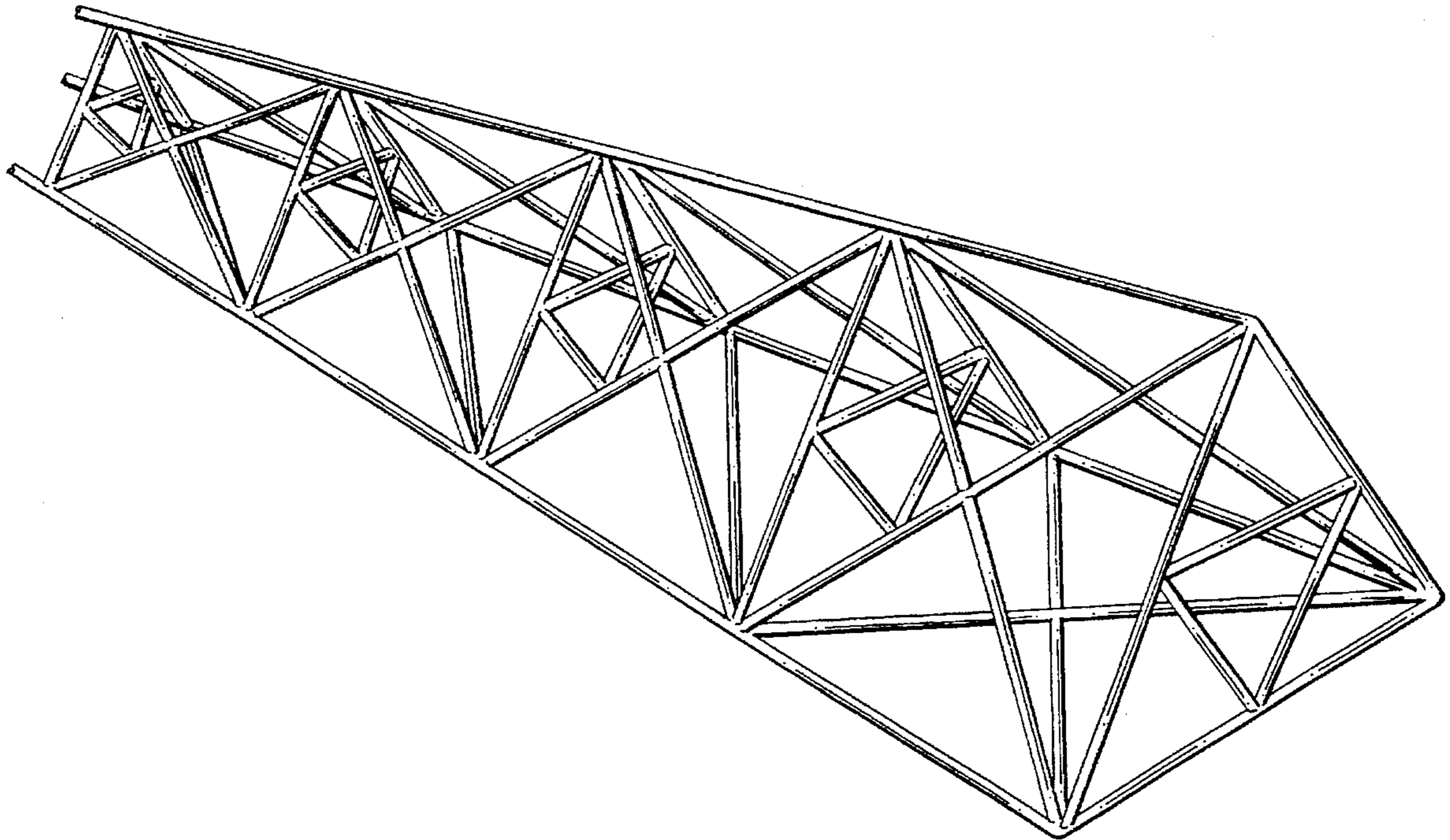
[57] **CLAIM**

The ornamental design for a tapered girder, as shown and described.

DESCRIPTION

FIG. 1 is a perspective view of the top, right end and left side view of a tapered girder embodying the invention;
 FIG. 2 is a right end view of the tapered girder shown in FIG. 1;
 FIG. 3 is a left end view of the tapered girder shown in FIG. 1;
 FIG. 4 is a top plan view of the tapered girder shown in FIG. 1;
 FIG. 5 is a bottom view of the tapered girder shown in FIG. 1; and,
 FIG. 6 is a right side view of the tapered girder shown in FIG. 1.

1 Claim, 2 Drawing Sheets



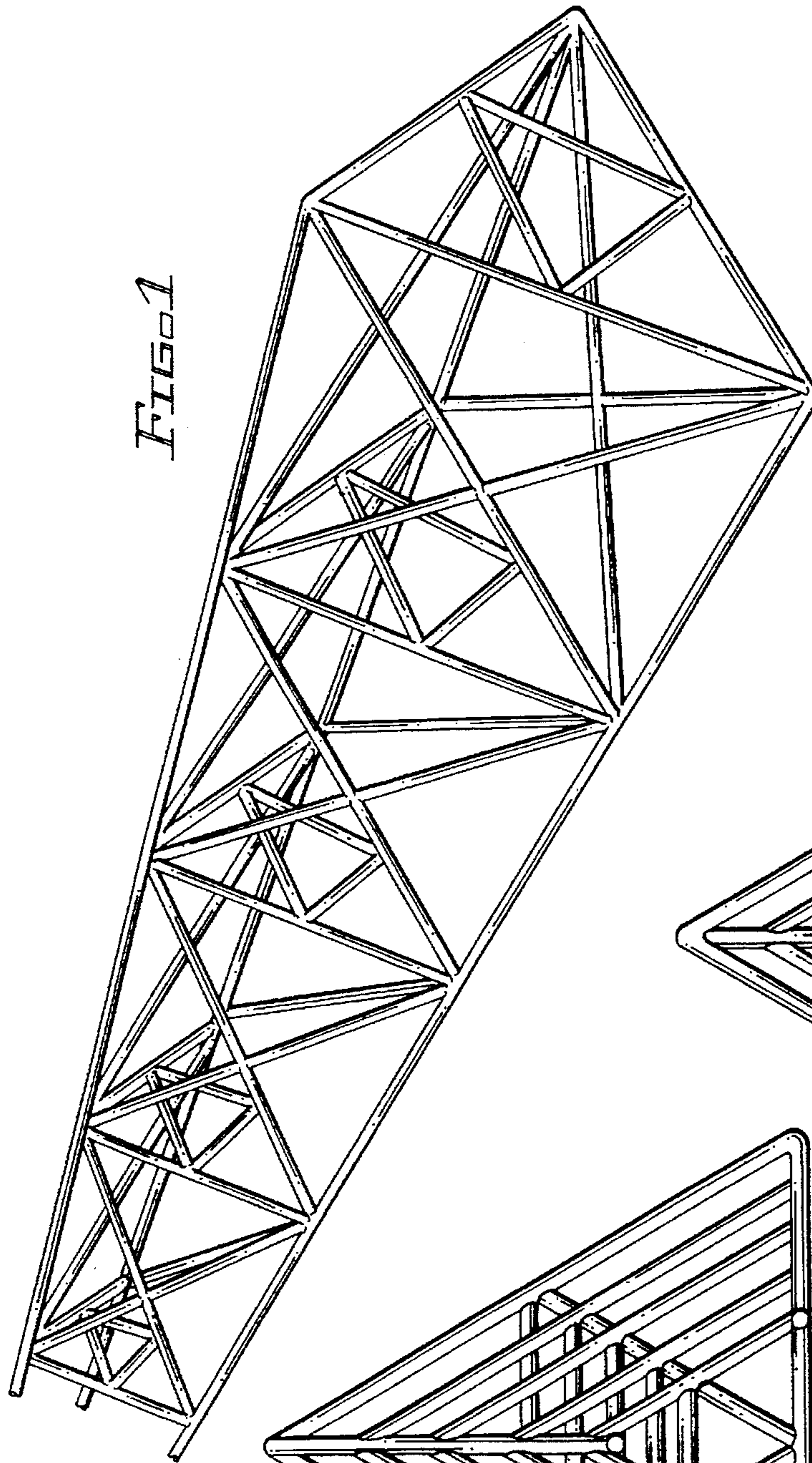


FIG. 1

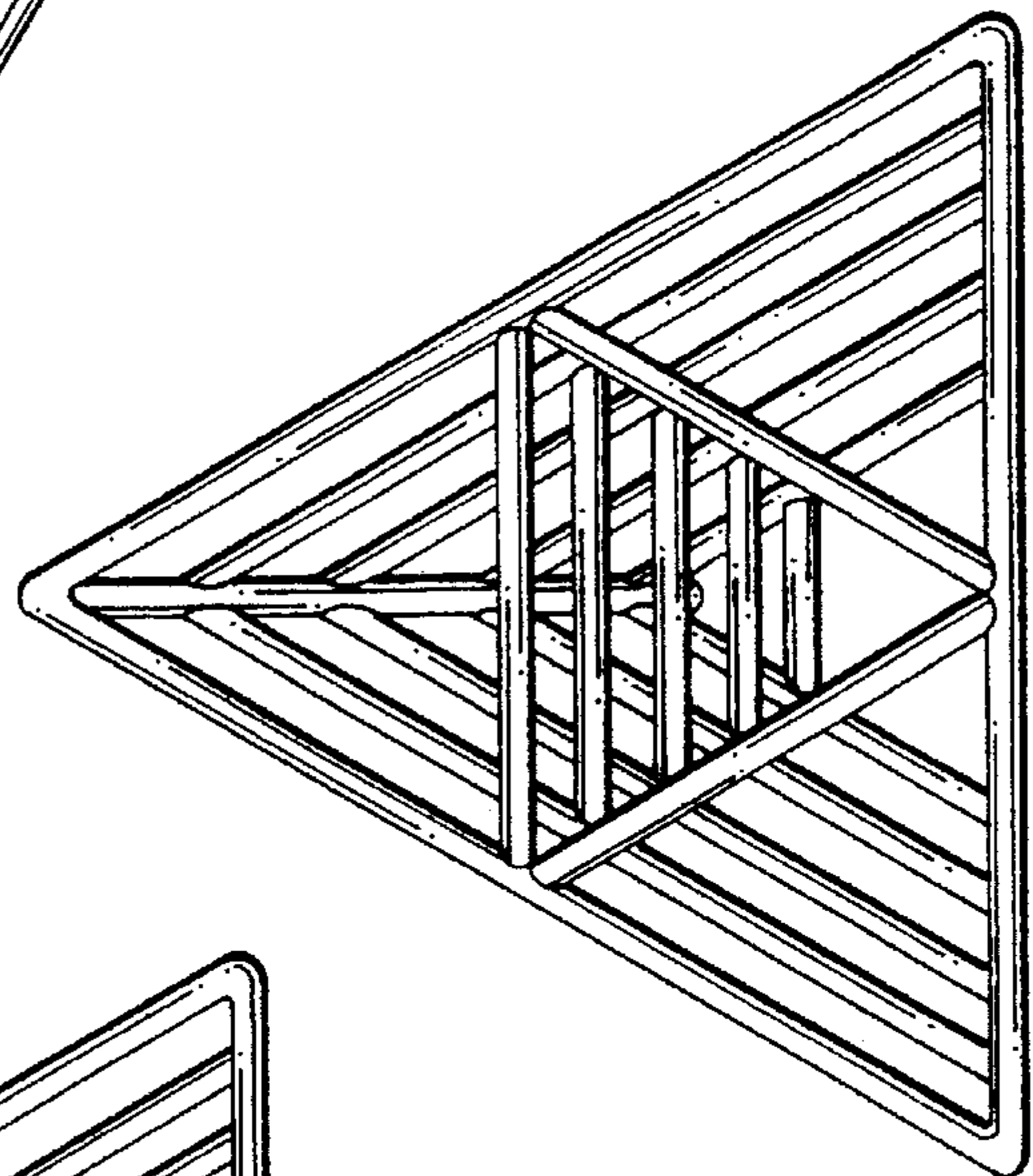


FIG. 2

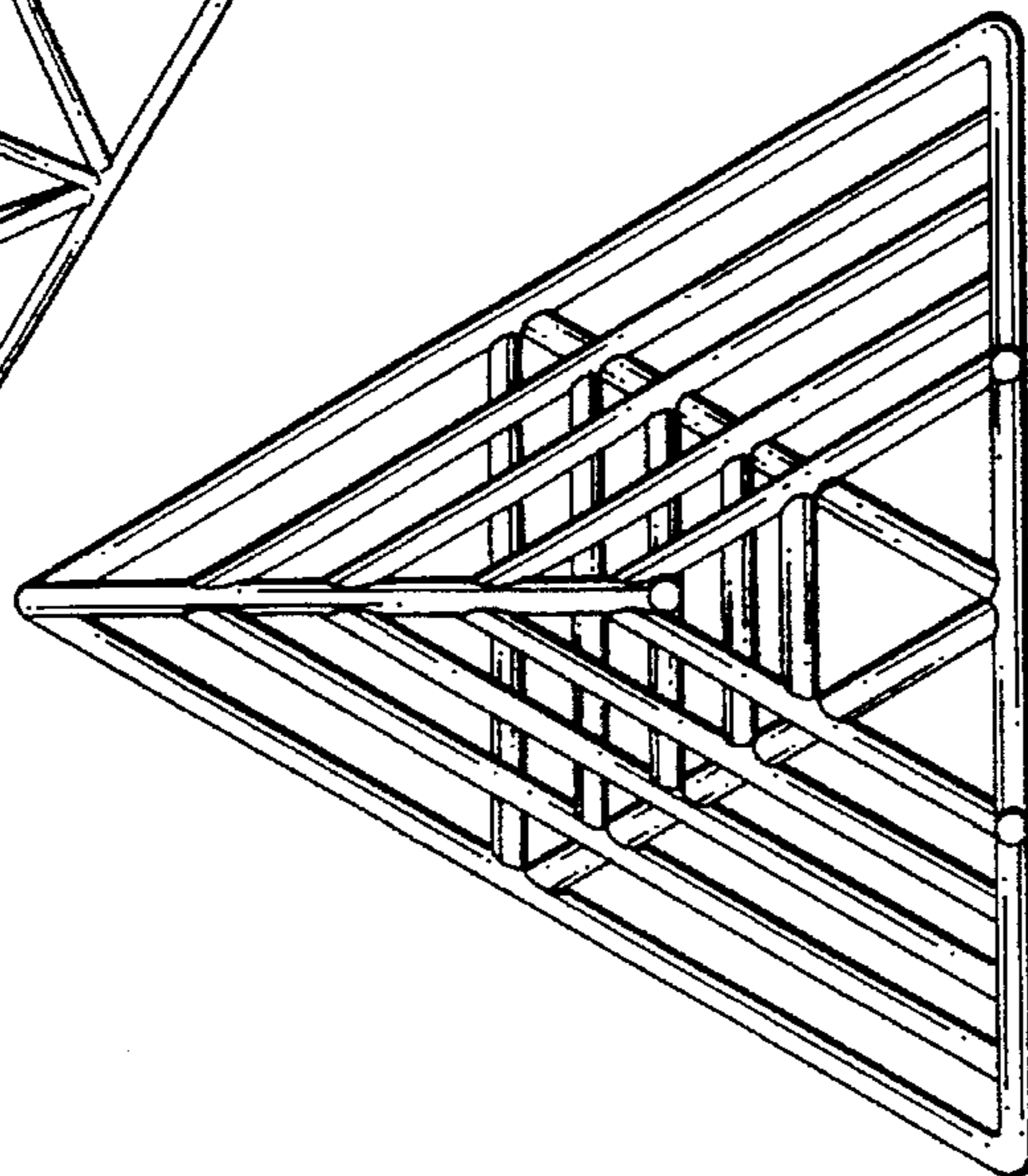


FIG. 3

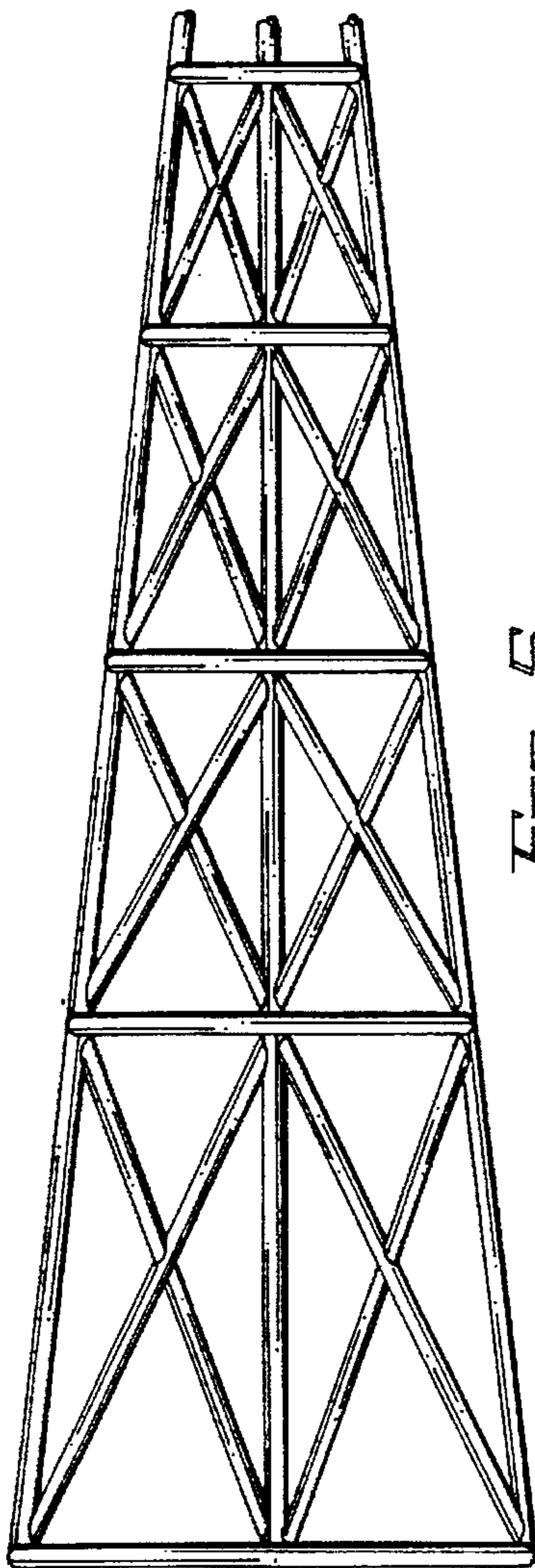


FIG. 5

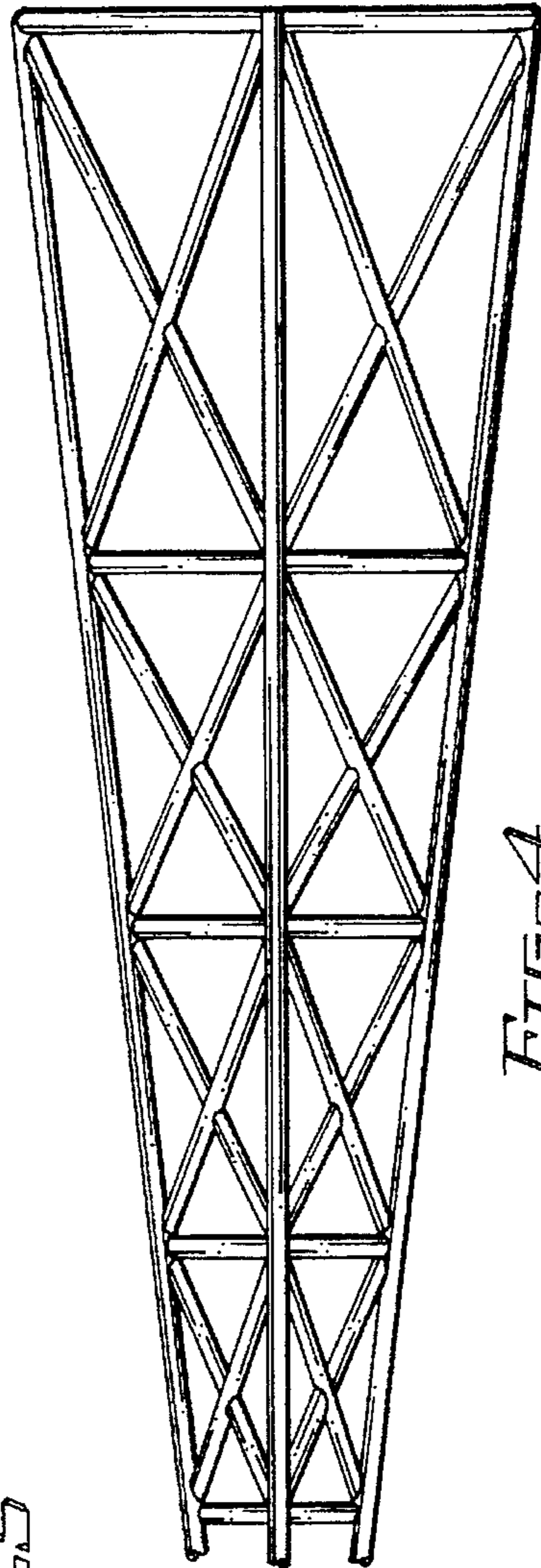


FIG. 4

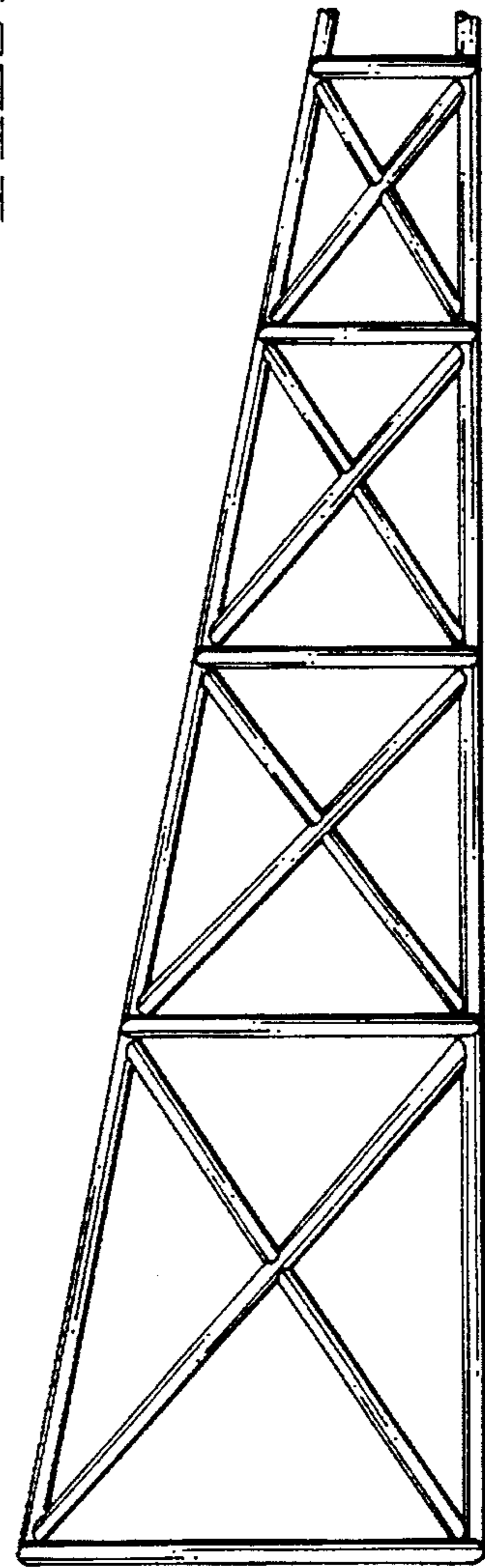


FIG. 6