



US00D381095S

**United States Patent** [19]  
**DiGiorgio**

[11] **Patent Number: Des. 381,095**

[45] **Date of Patent: \*\*Jul. 15, 1997**

[54] **SASH**  
[75] **Inventor: Tony DiGiorgio, Woodbridge, Canada**  
[73] **Assignee: Dominion Plastics Inc., Woodbridge, Canada**  
[\*\*] **Term: 14 Years**  
[21] **Appl. No.: 55,314**  
[22] **Filed: Jun. 3, 1996**  
[51] **LOC (6) Cl. .... 25-01**  
[52] **U.S. Cl. .... D25/124**  
[58] **Field of Search .... D25/48, 52, 60, D25/119-125; 52/204.5, 204.55, 204.1, 204.6, 204.61, 204.63, 730.3; 49/501, 504, DIG. 2**

[56] **References Cited**

**U.S. PATENT DOCUMENTS**

D. 358,668 5/1995 Franson ..... D25/124  
5,379,560 1/1995 Steller ..... 49/504

*Primary Examiner—Doris Clark*

[57] **CLAIM**

The ornamental design for a sash, as shown and described.

**DESCRIPTION**

FIG. 1 is a perspective view of the sash; and, FIG. 2 is an end view sash. The sash is broken away near the end to indicate indeterminate length.

**1 Claim, 1 Drawing Sheet**

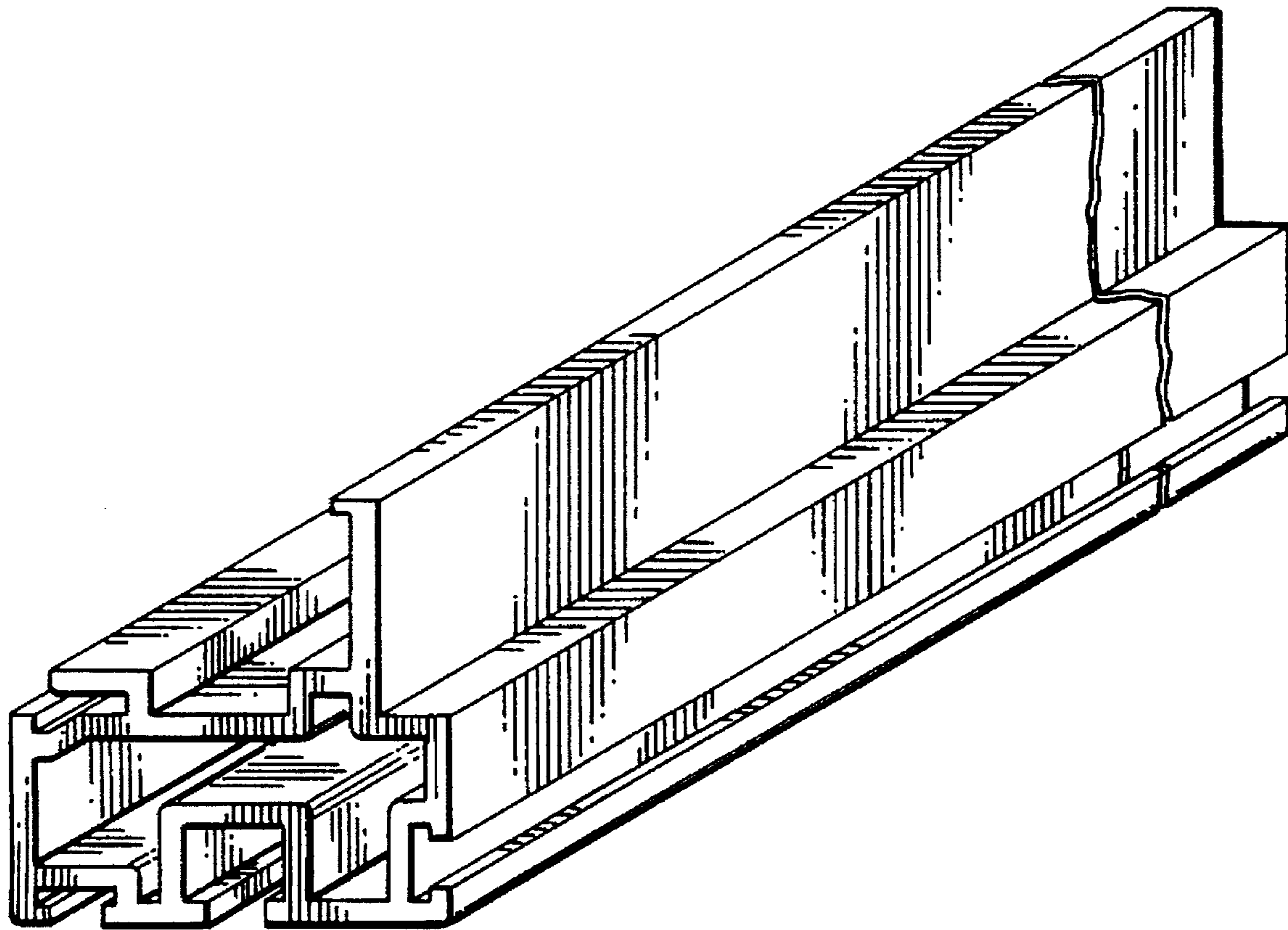


FIG. 1.

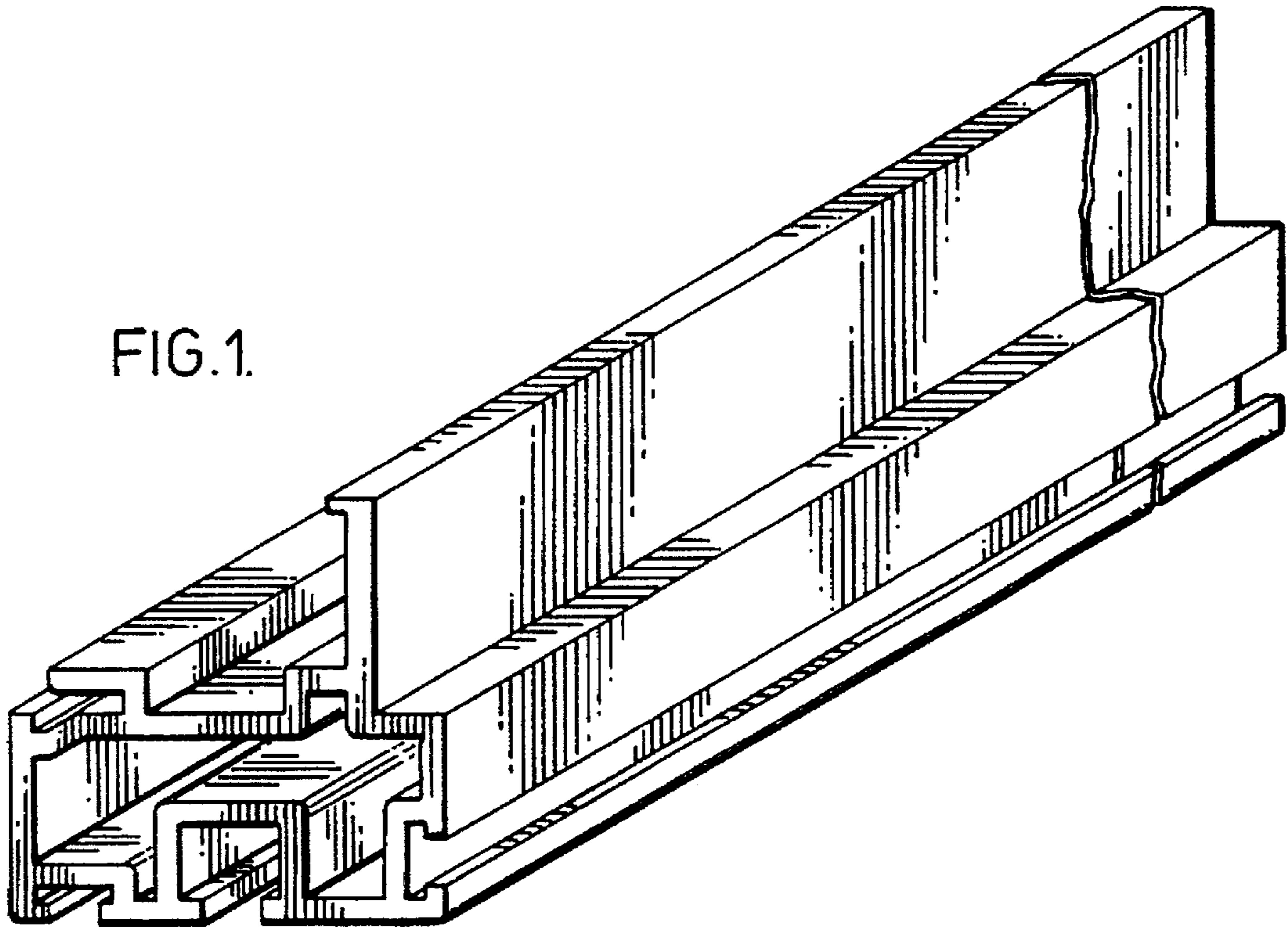


FIG. 2.

