

US00D381093S

United States Patent [19]
DiGiorgio

[11] **Patent Number:** **Des. 381,093**
[45] **Date of Patent:** ****Jul. 15, 1997**

[54] **MEETING RAIL**

[75] **Inventor:** **Tony DiGiorgio**, Woodbridge, Canada

[73] **Assignee:** **Dominion Plastics Inc.**, Woodbridge, Canada

[**] **Term:** **14 Years**

[21] **Appl. No.:** **55,310**

[22] **Filed:** **Jun. 3, 1996**

[51] **LOC (6) Cl.** **25-01**

[52] **U.S. Cl.** **D25/124**

[58] **Field of Search** D25/48, 52, 60,
D25/119-125; 52/204.68, 204.57, 204.5,
204.55, 204.53, 204.65; 49/176, 501, 504,
DIG. 2

[56] **References Cited**

U.S. PATENT DOCUMENTS

D. 342,797 12/1993 Cole D25/124
5,461,837 10/1995 Chaney et al. D25/124

Primary Examiner—Doris Clark

[57] **CLAIM**

The ornamental design for a meeting rail, as shown and described.

DESCRIPTION

FIG. 1 is a perspective view of the meeting rail; and, FIG. 2 is an end view meeting rail.

The meeting rail is broken away near the end to indicate indeterminate length.

1 Claim, 1 Drawing Sheet

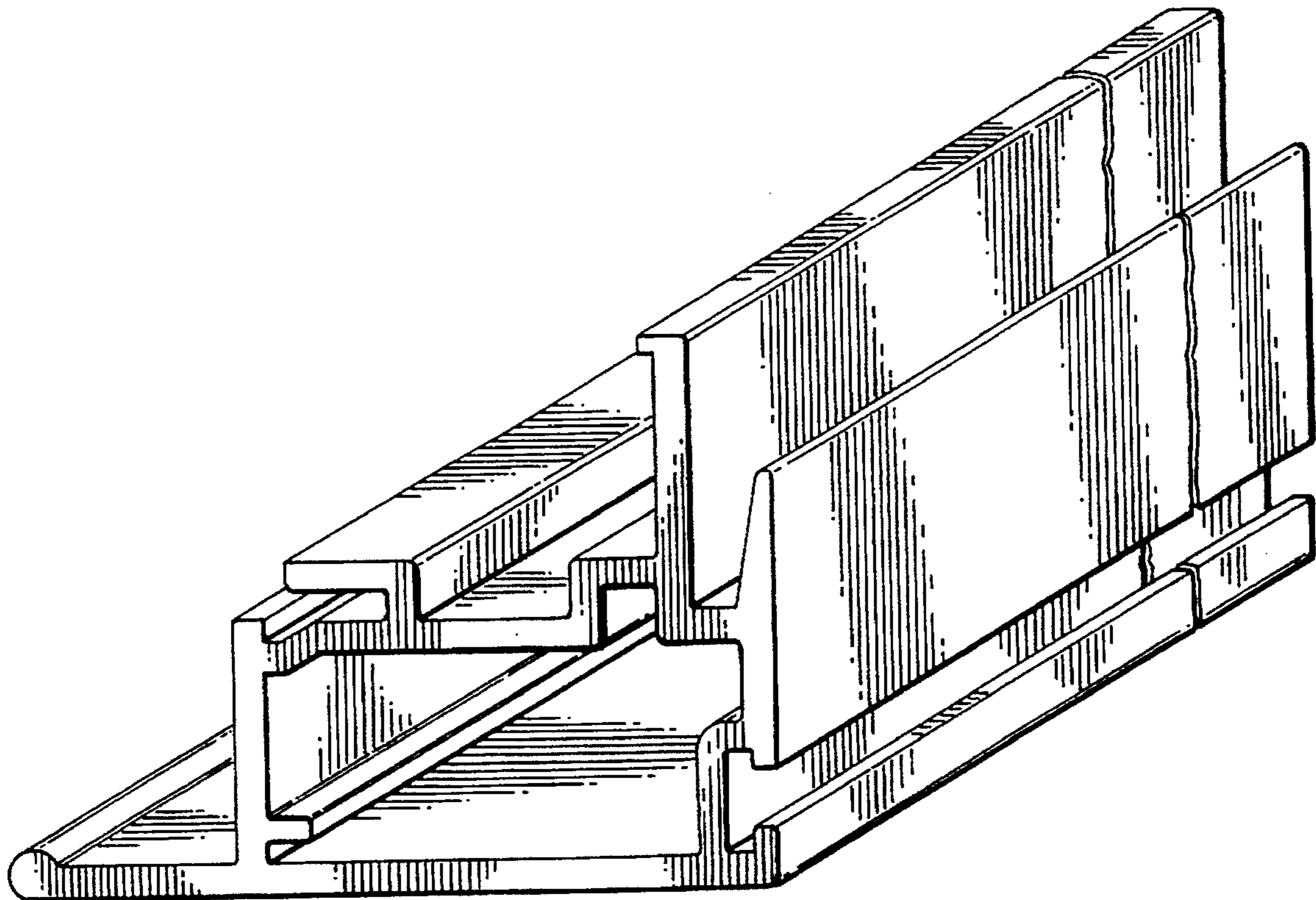


FIG.1.

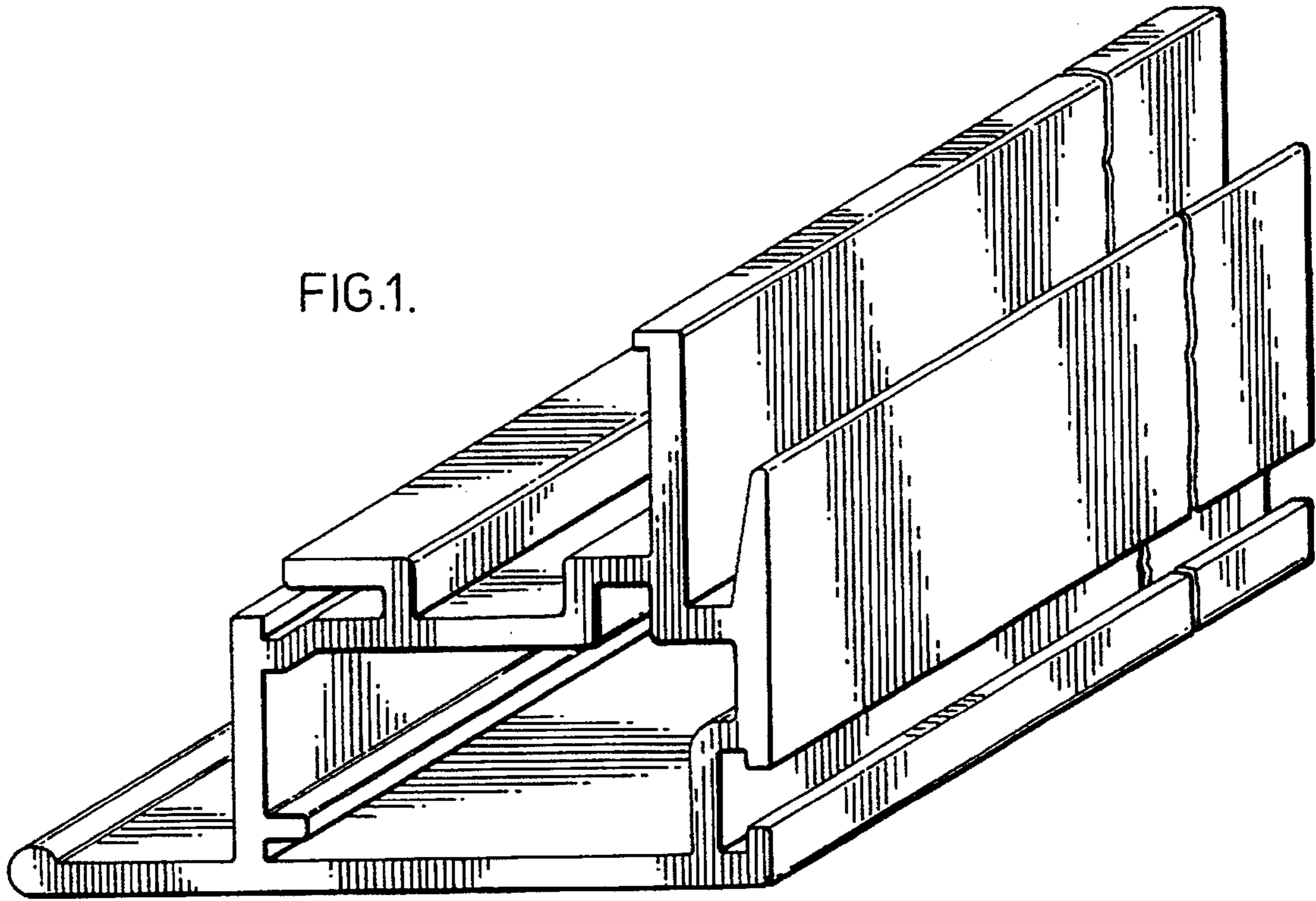


FIG.2.

