



US00D381092S

**United States Patent** [19]  
**DiGiorgio**

[11] **Patent Number:** **Des. 381,092**  
[45] **Date of Patent:** **\*\*Jul. 15, 1997**

[54] **SLIDER MAIN FRAME**

[75] **Inventor:** **Tony DiGiorgio**, Woodbridge, Canada

[73] **Assignee:** **Dominion Plastics Inc.**, Woodbridge, Canada

[\*\*] **Term:** **14 Years**

[21] **Appl. No.:** **55,278**

[22] **Filed:** **Jun. 3, 1996**

[51] **LOC (6) Cl.** ..... **25-01**

[52] **U.S. Cl.** ..... **D25/124**

[58] **Field of Search** ..... D25/48, 52, 60,  
D25/122-125; 49/504, 505, DIG. 1, 130,  
166; 52/204.5, 730.3, 730.4, 730.5

[56] **References Cited**

U.S. PATENT DOCUMENTS

D. 365,644 12/1995 Cole ..... D25/124

*Primary Examiner*—Doris Clark

[57] **CLAIM**

The ornamental design for a slider main frame, as shown and described.

**DESCRIPTION**

FIG. 1 is a perspective view of the slider main frame; and, FIG. 2 is an end view slider main frame.

The slider main frame is broken away near the end to indicate indeterminate length.

**1 Claim, 1 Drawing Sheet**

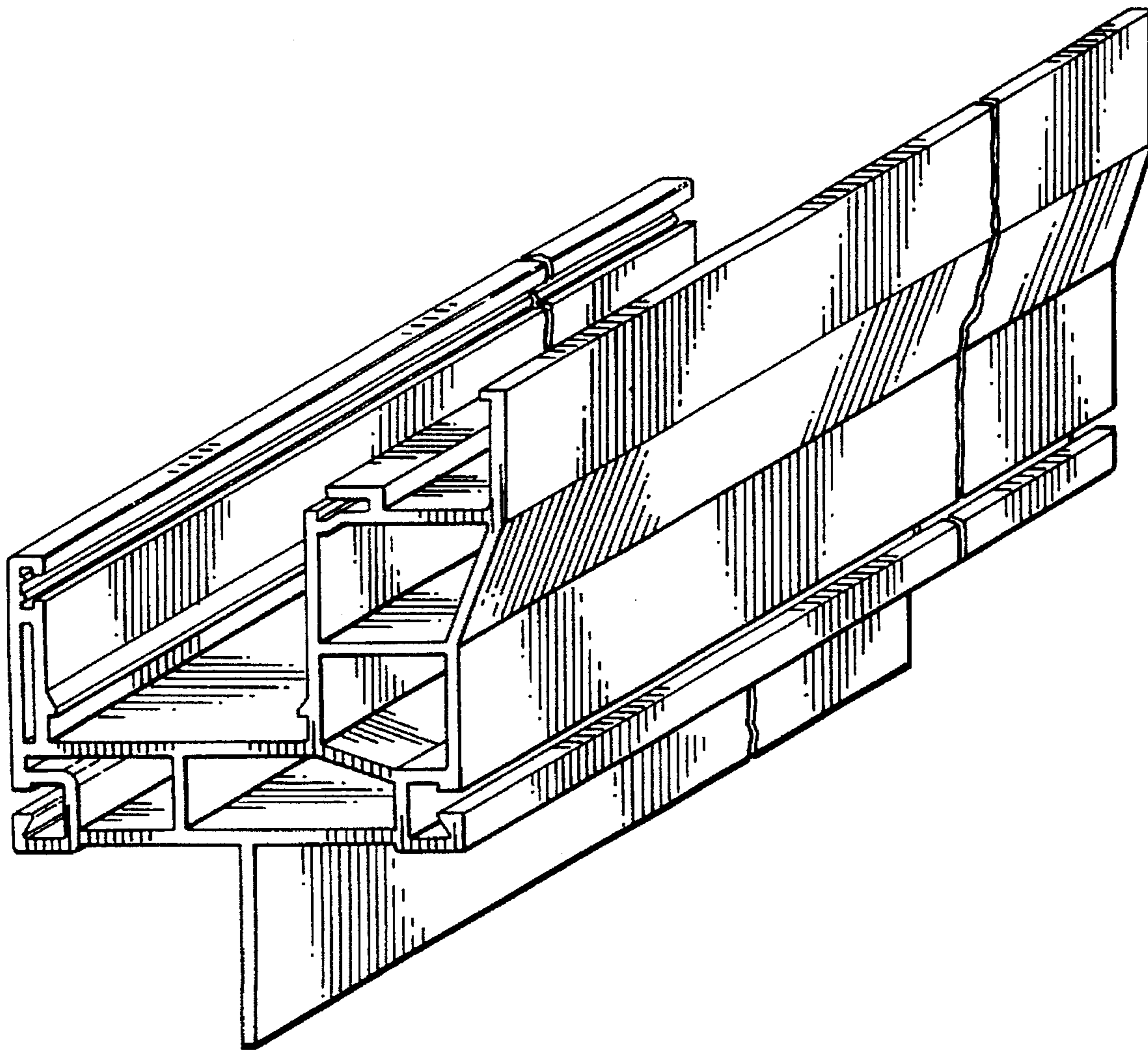


FIG. 1.

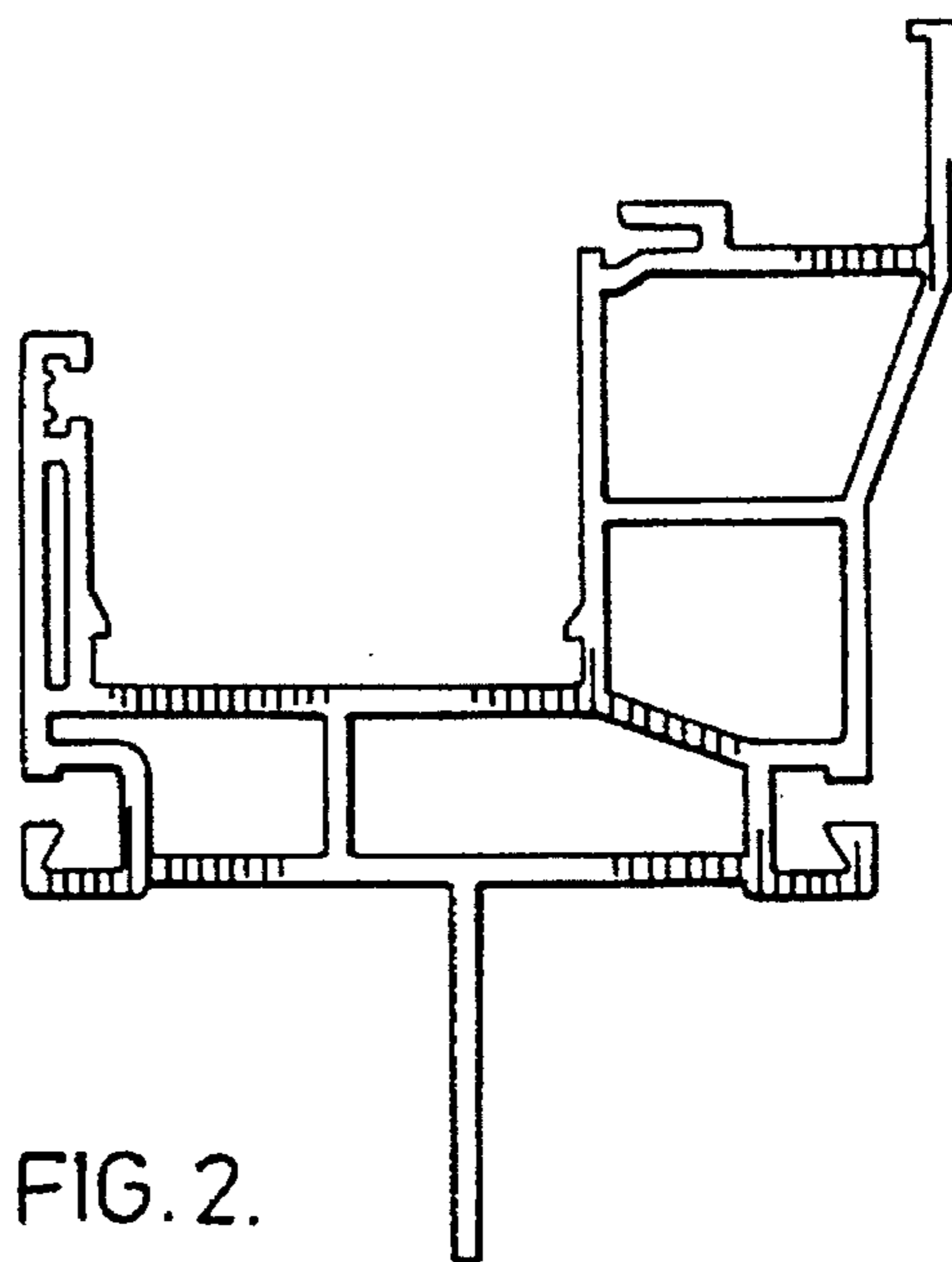
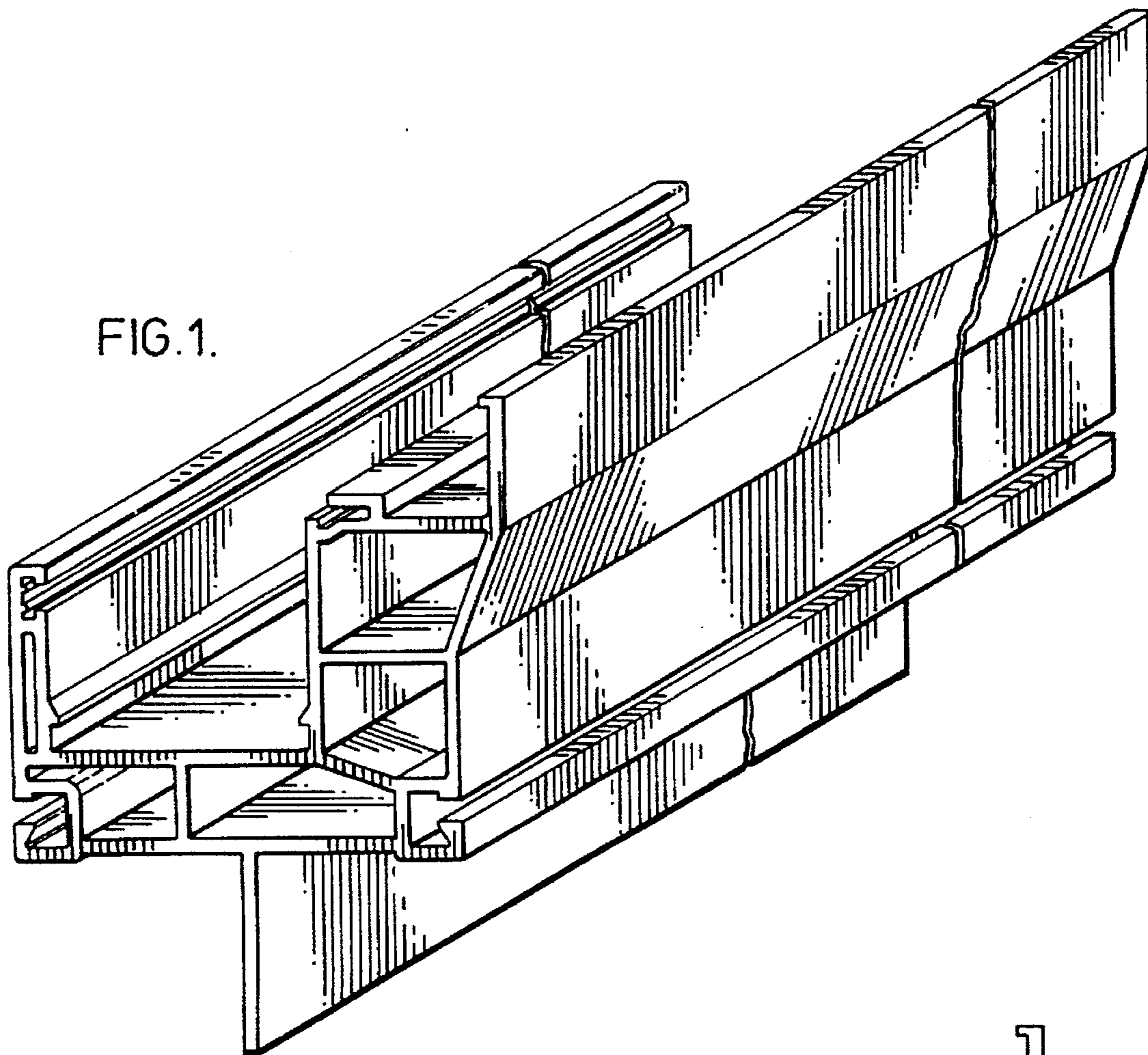


FIG. 2.